



US00D540653S

(12) **United States Design Patent**
Blomstrom

(10) **Patent No.:** **US D540,653 S**

(45) **Date of Patent:** **** Apr. 17, 2007**

(54) **KEY**
(75) Inventor: **John Blomstrom**, Milwaukee, WI (US)
(73) Assignee: **Master Lock Company LLC**, Oak Creek, WI (US)
(**) Term: **14 Years**

5,009,087 A 4/1991 Long
5,548,981 A 8/1996 Kirk
D389,624 S * 1/1998 Drimmie et al. D8/347
5,713,224 A 2/1998 Liou
D424,911 S 5/2000 Geringer et al.
D425,400 S 5/2000 Geringer et al.
D425,777 S 5/2000 Geringer et al.
6,331,812 B1 * 12/2001 Dawalibi 340/5.2
6,386,007 B1 * 5/2002 Johnson et al. 70/408

(21) Appl. No.: **29/253,201**

* cited by examiner

(22) Filed: **Feb. 2, 2006**

Primary Examiner—Prabhakar Deshmukh
(74) *Attorney, Agent, or Firm*—Calfee, Halter & Griswold, LLP

(51) **LOC (8) Cl.** **08-07**

(52) **U.S. Cl.** **D8/347**

(58) **Field of Classification Search** D8/347,
D8/348; 70/347, 271, 278.2, 336, 344, 348,
70/357, 382, 393, 429, 402-414, 469, 448
See application file for complete search history.

(57) **CLAIM**

I claim the ornamental design for a key, as shown and described.

(56) **References Cited**

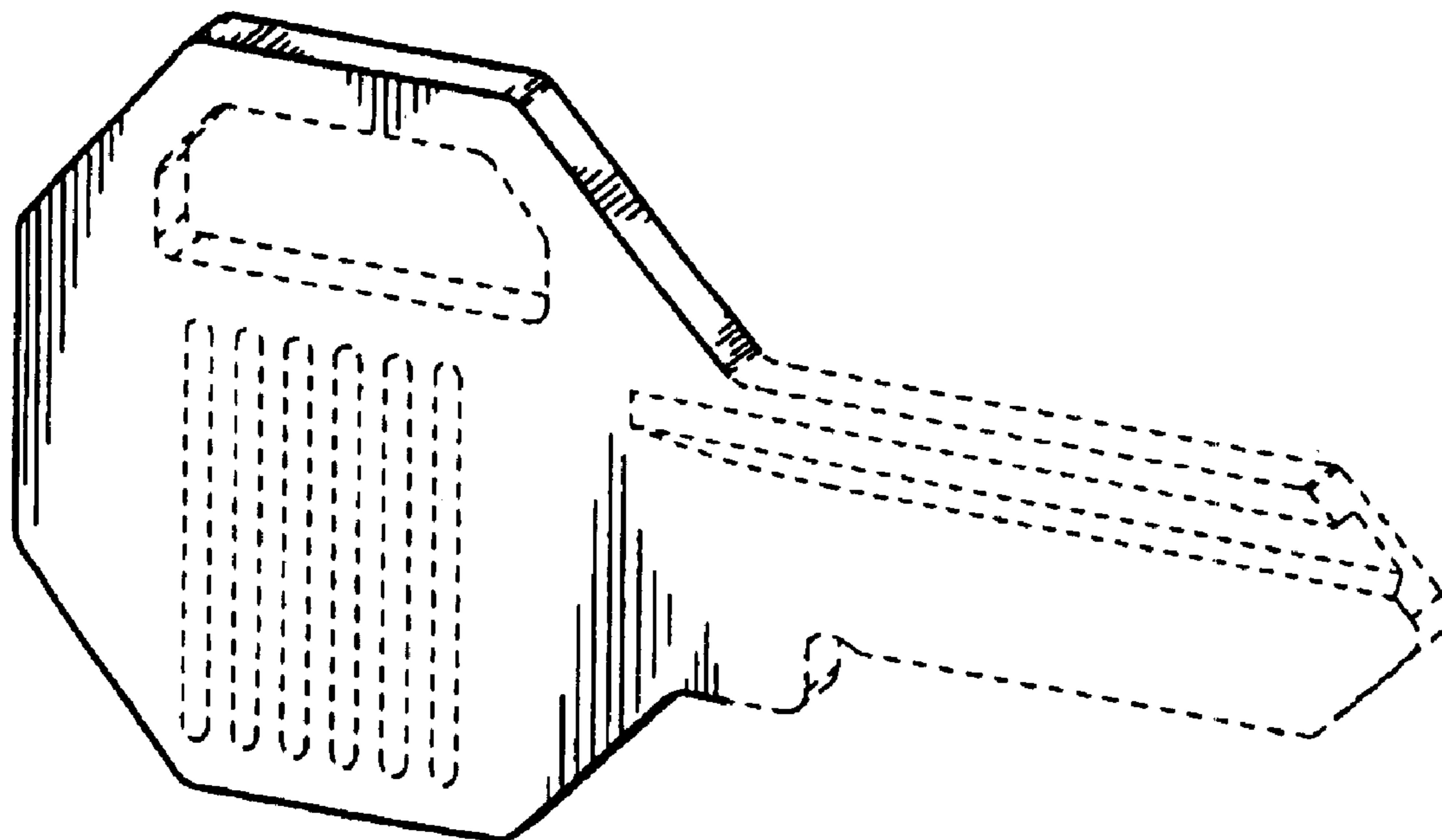
DESCRIPTION

U.S. PATENT DOCUMENTS

536,196 A 3/1895 Edgar
816,492 A 3/1906 Mohr
823,919 A 6/1906 Caldwell
952,643 A 3/1910 Roche
1,490,453 A 4/1924 Caldwell
2,491,337 A 12/1949 Segal
2,714,304 A 8/1955 Dedda
D213,587 S * 3/1969 Unter D8/347
3,797,291 A * 3/1974 Simorghii 70/395
3,902,342 A * 9/1975 Zucker et al. 70/402
4,519,226 A 5/1985 Hadaway
4,662,200 A * 5/1987 Borda 70/411
4,947,662 A * 8/1990 Imedio 70/395

FIG. 1 is a perspective view of a key of the new design; FIG. 2 is a front side view of the key of FIG. 1, FIG. 3 is a rear side view of the key of FIG. 1, FIG. 4 is a top view of the key of FIG. 1; FIG. 5 is a bottom view of the key of FIG. 1; FIG. 6 is a left side view of the key of FIG. 1; and, FIG. 7 is a right side view of the key of FIG. 1. The broken lines, which define the bounds of the claim form no part thereof. The broken lines environmental are for illustrative purpose only and form no part of the claimed design.

1 Claim, 1 Drawing Sheet



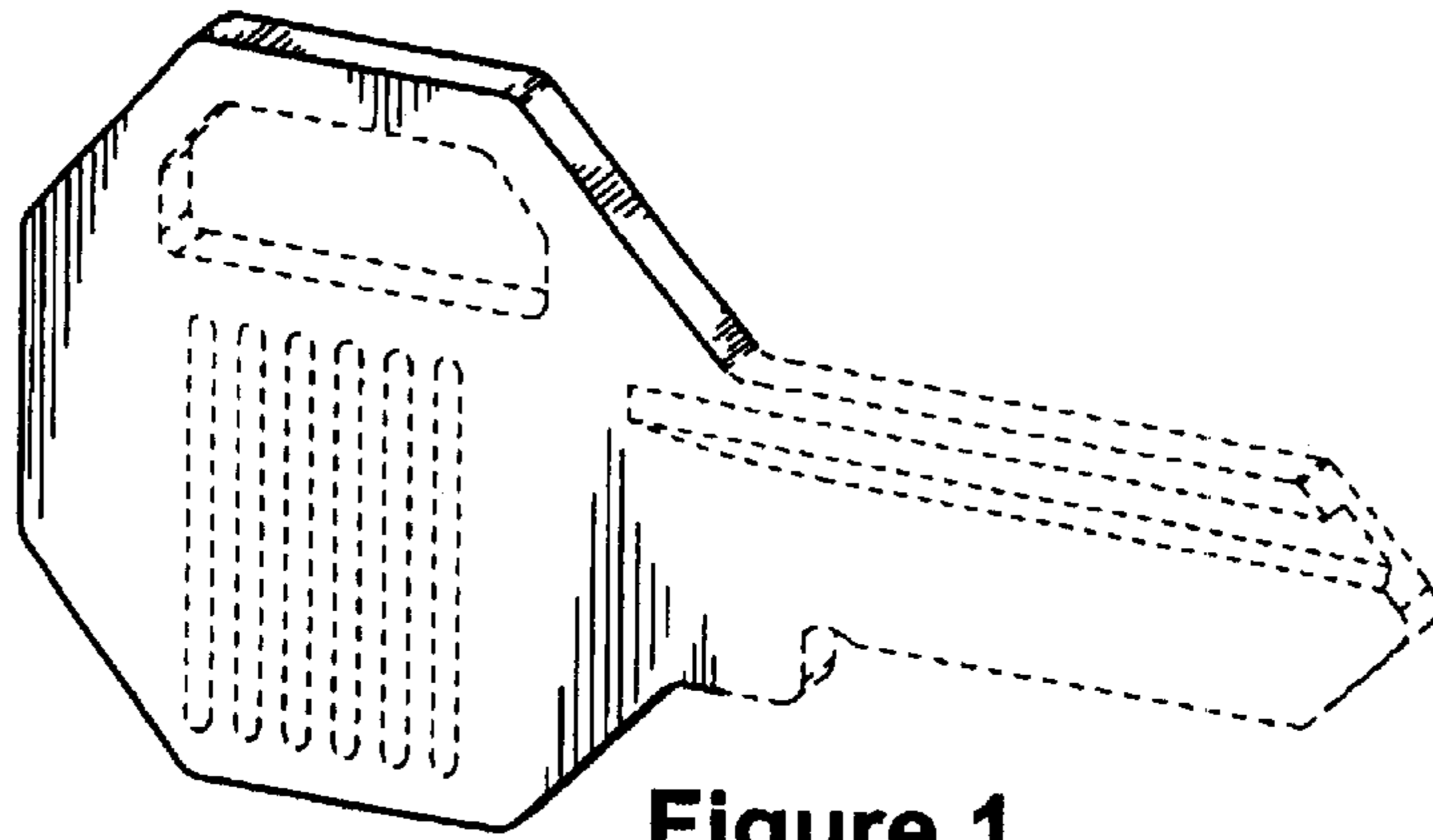


Figure 1

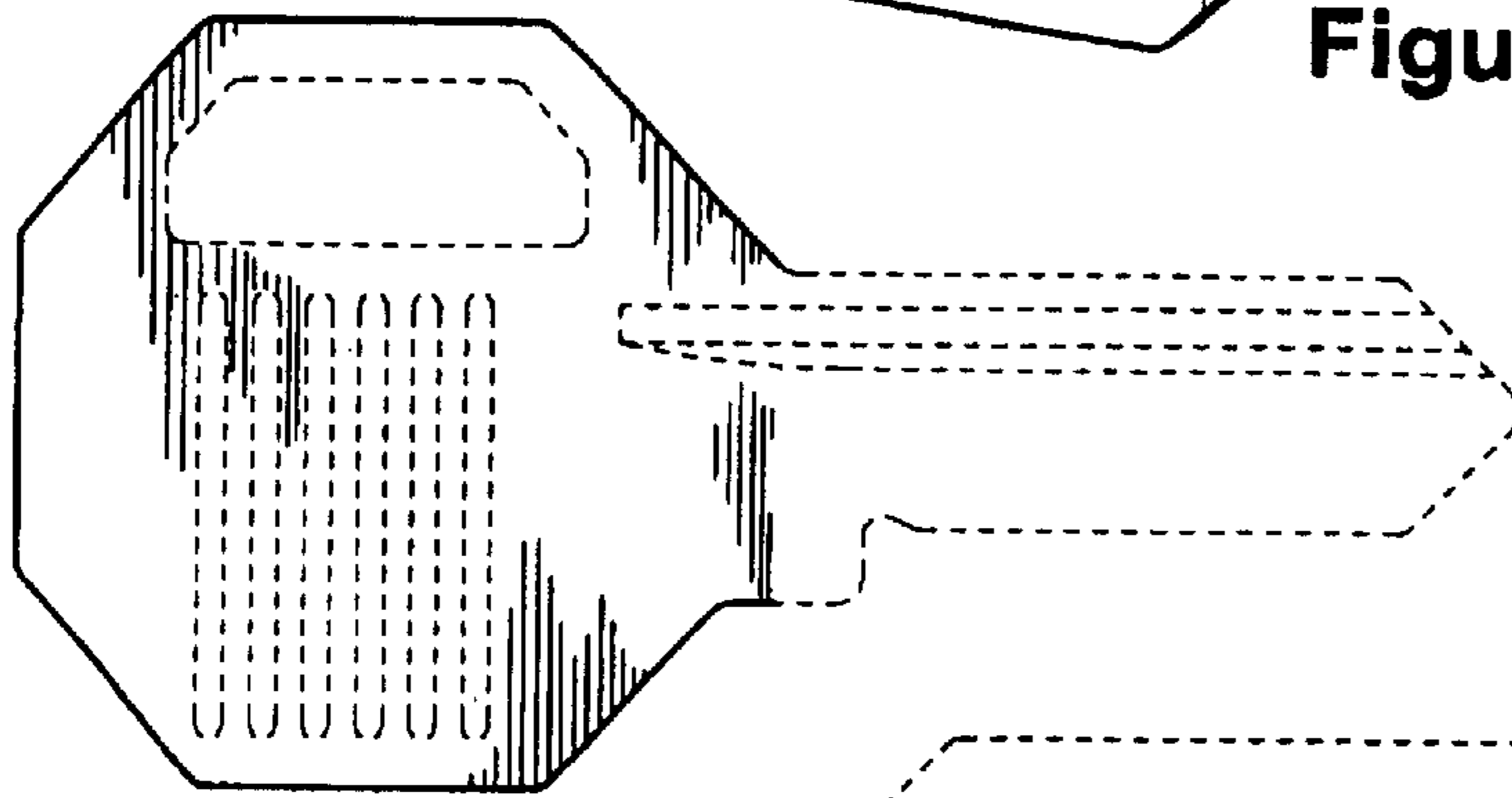


Figure 2

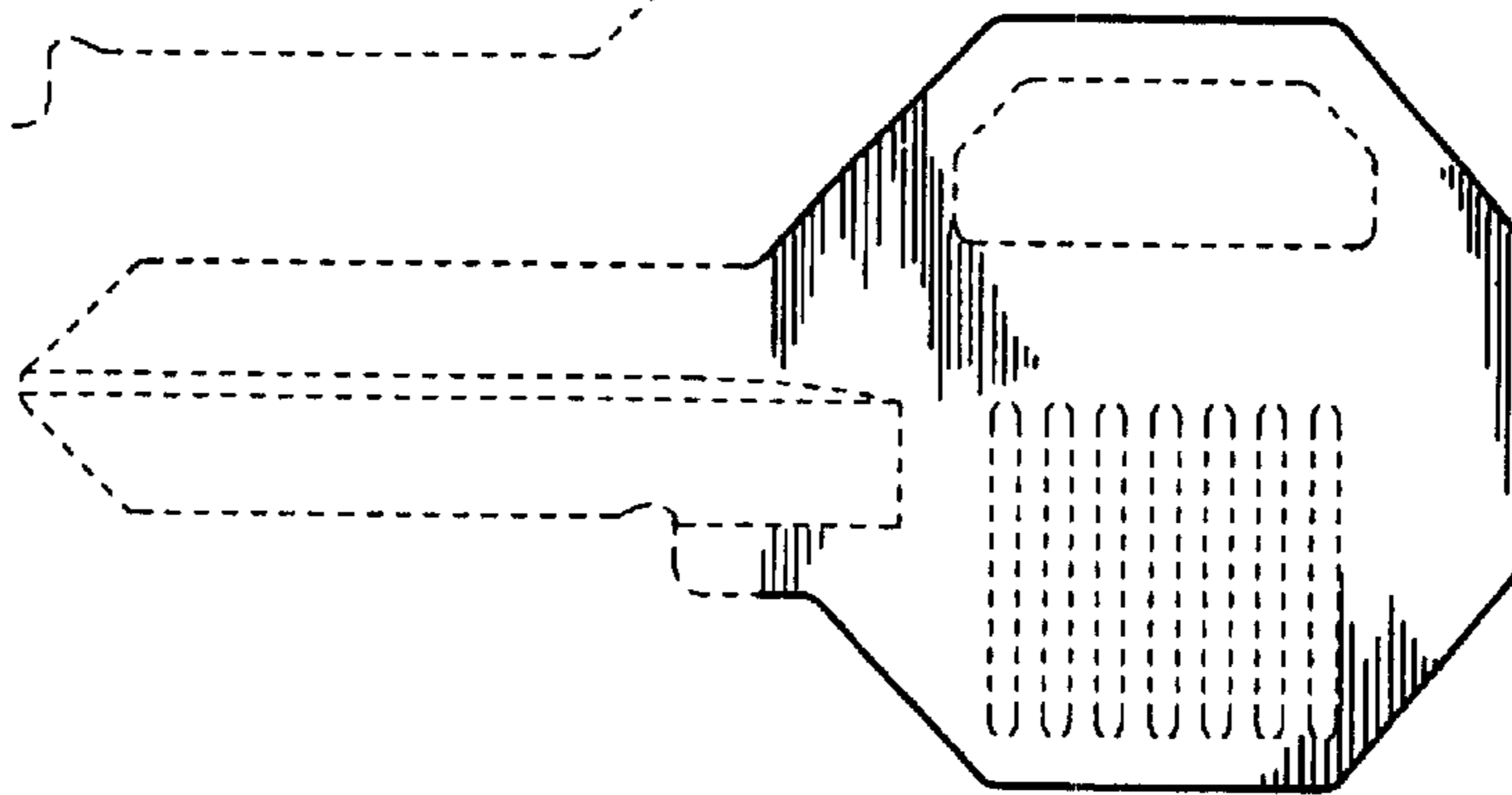


Figure 3



Figure 4

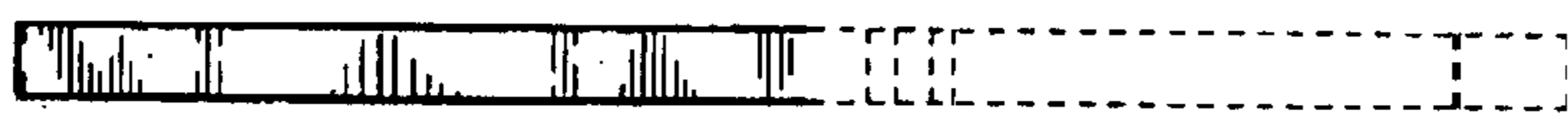


Figure 5



Figure 6



Figure 7