



US00D540652S

(12) **United States Design Patent**
Wolf, V

(10) **Patent No.:** **US D540,652 S**
(45) **Date of Patent:** **** Apr. 17, 2007**

- (54) **PUSH BUTTON BOX LATCH**
 - (75) Inventor: **Simon P. Wolf, V**, Malibu, CA (US)
 - (73) Assignee: **Wolf Designs, Inc.**, Malibu, CA (US)
 - (**) Term: **14 Years**
 - (21) Appl. No.: **29/254,827**
 - (22) Filed: **Feb. 28, 2006**
 - (51) **LOC (8) Cl.** **08-07**
 - (52) **U.S. Cl.** **D8/331**
 - (58) **Field of Classification Search** D8/330-348;
70/78, 80, 129, 141, 142, 69, 208, 210; 292/DIG. 14,
292/DIG. 10; D3/291, 294, 297; D6/470;
D26/37
- See application file for complete search history.

- D449,944 S 11/2001 Wolf
- D454,687 S 3/2002 Wolf
- 6,412,316 B1 7/2002 Buss
- D467,428 S 12/2002 Wolf
- D479,912 S 9/2003 Wolf
- D482,593 S 11/2003 Wolf
- D501,132 S 1/2005 Wolf

Primary Examiner—Mitchell Siegel
(74) *Attorney, Agent, or Firm*—Fulwider Patton, LLP

(57) **CLAIM**

The ornamental design for a push button box latch, as shown and described.

DESCRIPTION

FIG. 1 is a perspective view of a push button box latch showing my new design;
FIG. 2 is an enlarged front elevational view thereof;
FIG. 3 is an enlarged top plan view thereof;
FIG. 4 is an enlarged bottom plan view thereof; and,
FIG. 5 is an enlarged right side elevational view thereof, the left side elevational view being a mirror image.
The broken line showing of the box in FIG. 1 is for illustrative purposes only and forms no part of the claimed design.

- (56) **References Cited**
- U.S. PATENT DOCUMENTS
- D179,723 S 2/1957 Gehrie
- D193,806 S 10/1962 Humphries
- 3,121,318 A 2/1964 Nörrenberg-Sudhaus
- D358,978 S 6/1995 Gisiger
- D417,783 S 12/1999 Wolf
- D424,405 S 5/2000 Schlack et al.

1 Claim, 2 Drawing Sheets

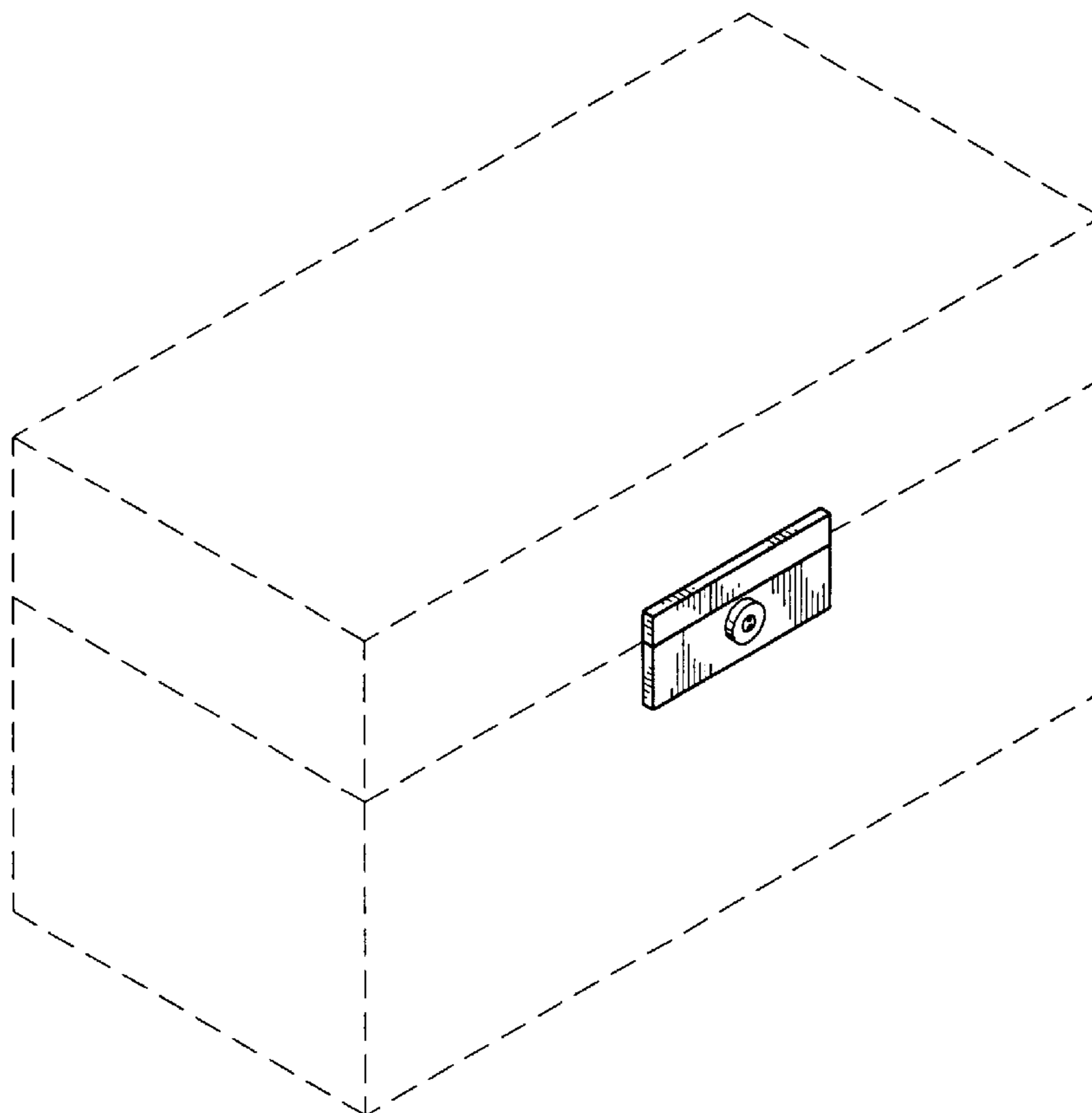
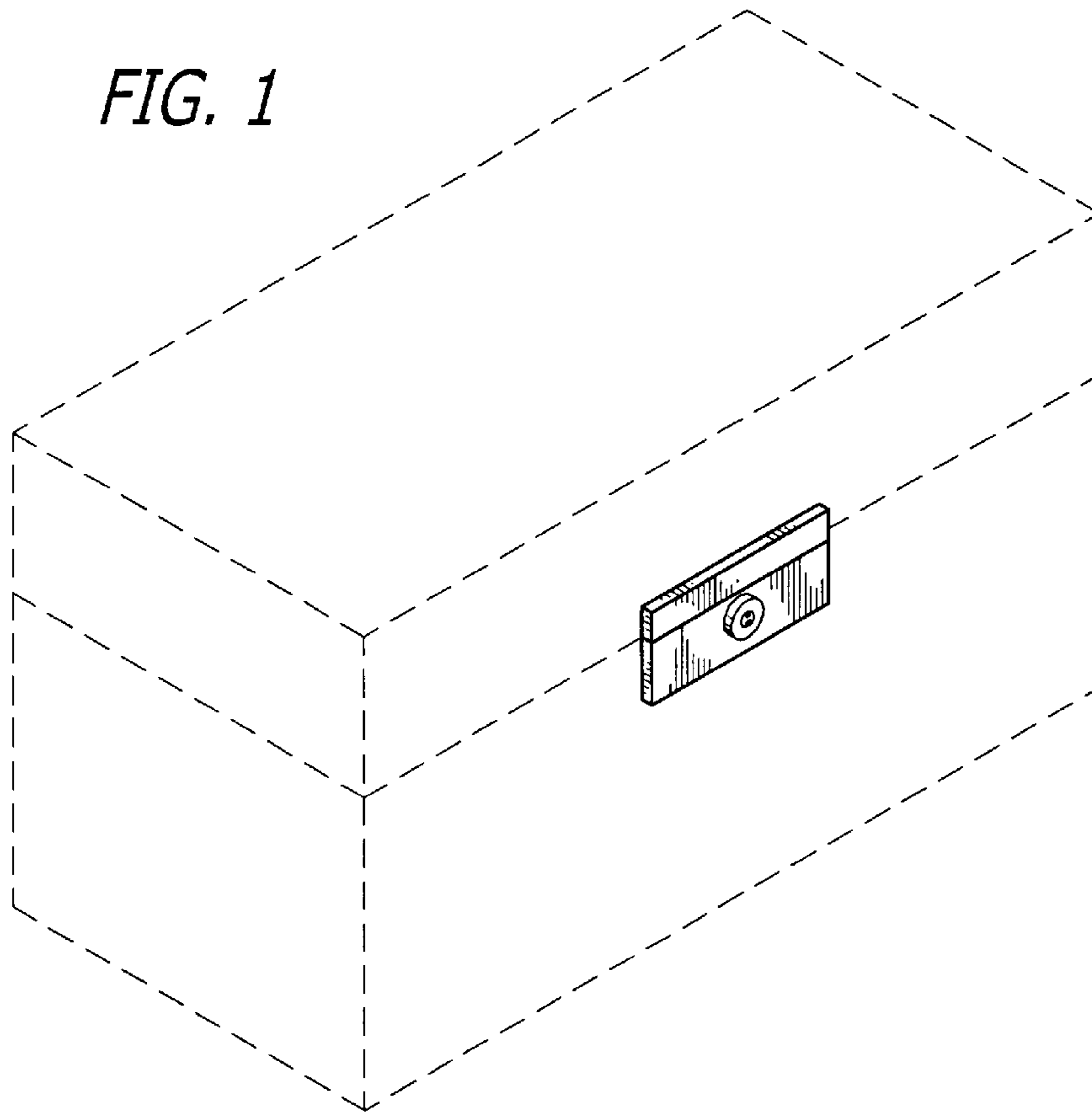


FIG. 1



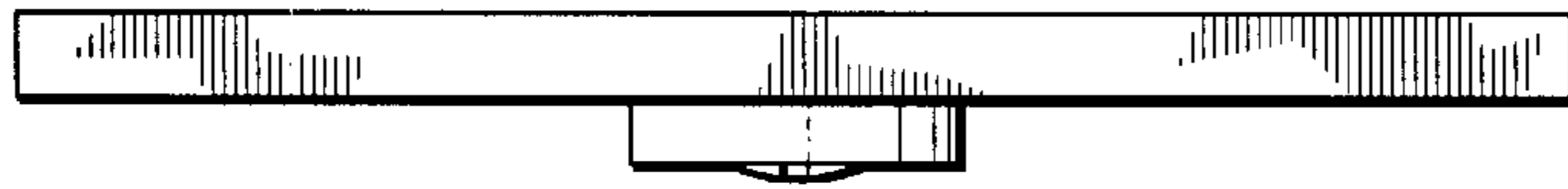


FIG. 3

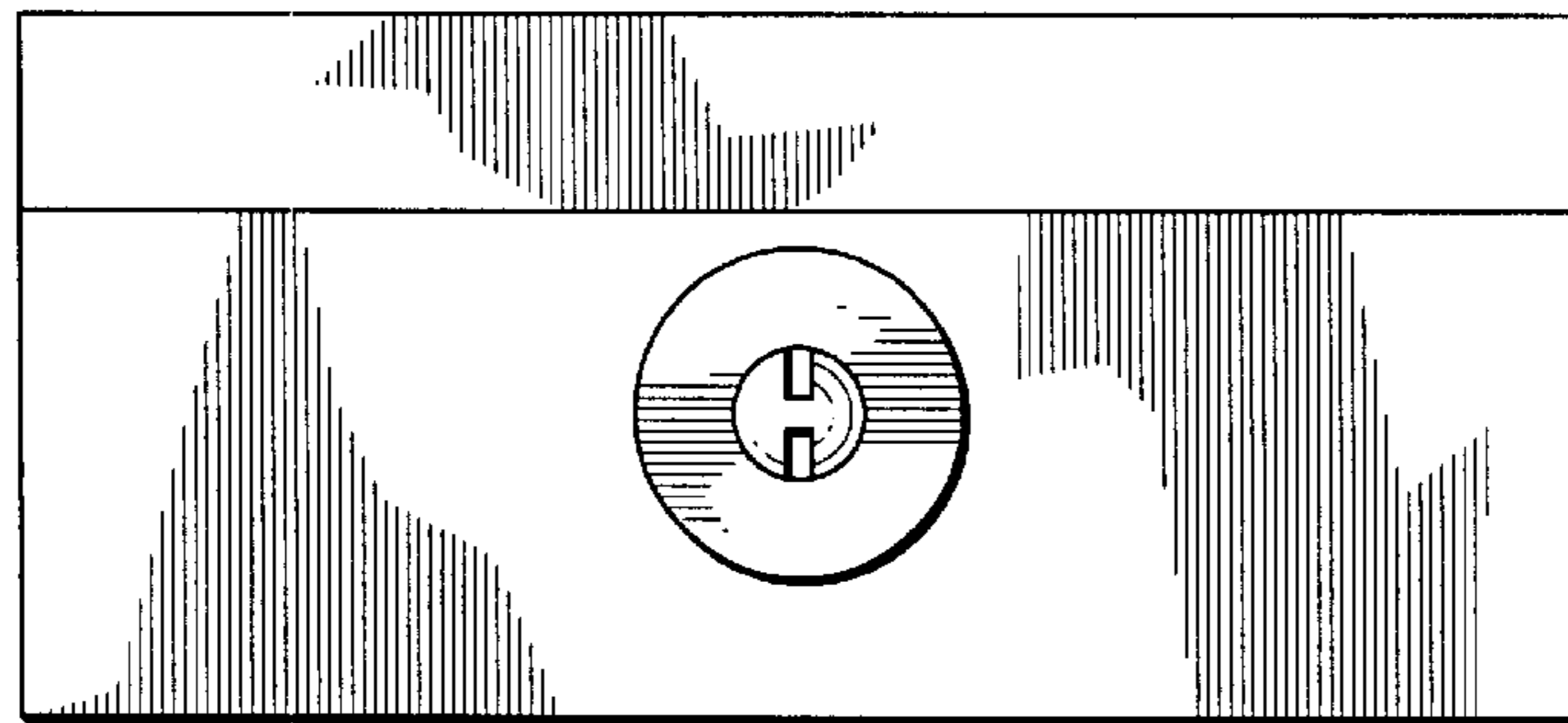


FIG. 2



FIG. 5



FIG. 4