

US00D540646S

(12) **United States Design Patent** (10) **Patent No.:** **US D540,646 S**
Youngren (45) **Date of Patent:** **** Apr. 17, 2007**

(54) **HAMMER**

(75) Inventor: **Robert H. Youngren**, Rockford, IL (US)

(73) Assignee: **Estwing Manufacturing Company**, Rockford, IL (US)

(**) Term: **14 Years**

(21) Appl. No.: **29/236,688**

(22) Filed: **Aug. 19, 2005**

Related U.S. Application Data

(62) Division of application No. 29/204,735, filed on May 3, 2004, now Pat. No. Des. 521,342.

(51) **LOC (8) Cl.** **08-02**

(52) **U.S. Cl.** **D8/78**

(58) **Field of Classification Search** D8/75, D8/76, 77, 78, 79, 80, 88, 89; 81/20, 21, 81/22, 23, 24, 25; 7/143, 146
See application file for complete search history.

(56) **References Cited**

U.S. PATENT DOCUMENTS

1,934,706 A 11/1933 Green
D140,407 S 2/1945 Henkel
D209,653 S 12/1967 Vogel

(Continued)

OTHER PUBLICATIONS

Harkins et al., U.S. Appl. No. 29/159,356, filed Apr. 18, 2002.

Harkins et al., U.S. Appl. No. 29/159,383, filed Apr. 19, 2002.

Knowlton et al., "Ulnar Deviation and Short-Term Strength Reductions as Affected by a Curve-Handled Ripping Hammer and a Conventional Claw Hammer," *Ergonomics*, 26 (2), 173-179 (1983).

Konz, "Bent Hammer Handles," *Human Factors*, 28 (3), 317-323 (1986).

"RIDGID Robohammer®," in *Woodworking Tools for a Lifetime*, Web page: http://www.ridgidwoodworking.com/products_robohammer.phtml (1998-2002).

* cited by examiner

Primary Examiner—Philip S. Hyder

(74) *Attorney, Agent, or Firm*—Gardner Carton & Douglas LLP

(57) **CLAIM**

The ornamental design for a hammer, as shown and described.

DESCRIPTION

FIG. 1 is a front perspective view of a hammer showing my new design;

FIG. 2 is a rear perspective view of the hammer;

FIG. 3 is a front elevation view of the hammer;

FIG. 4 is a rear elevation view of the hammer;

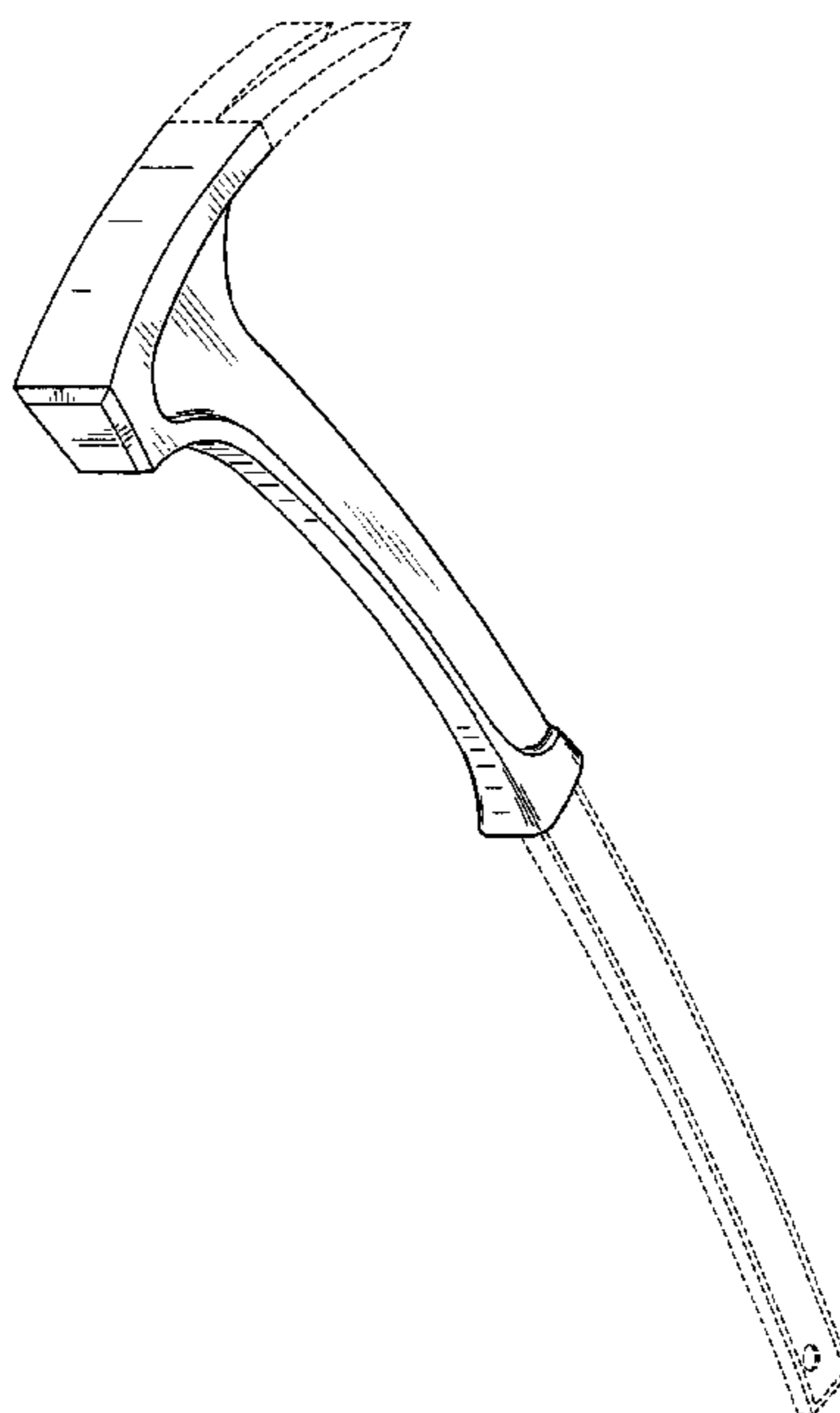
FIG. 5 is a right side elevation view of the hammer, the left side elevation being a mirror image thereof;

FIG. 6 is a top plan view of the hammer;

FIG. 7 is a bottom plan view of the hammer; and,

FIG. 8 is a front perspective view of the hammer, wherein the broken line showing of the hammer grip is for illustrative purposes only and forms no part of the claimed embodiment. The broken lines immediately adjacent the shaded areas represent the bounds of the claimed design while all other broken lines are directed to environment and are for illustrative purposes only; the broken lines form no part of the claimed design.

1 Claim, 5 Drawing Sheets



US D540,646 S

Page 2

U.S. PATENT DOCUMENTS

3,792,725 A	2/1974	Burgeson	5,996,235 A	12/1999	Brainerd
3,870,091 A	3/1975	Burgeson	6,016,722 A	1/2000	Gierer et al.
3,874,433 A	4/1975	Shepherd, Jr. et al.	D420,881 S	2/2000	Davis et al.
D237,582 S	11/1975	Mostyn et al.	D426,128 S	6/2000	Lamond et al.
4,030,847 A	6/1977	Carmien	6,128,977 A	10/2000	Gierer et al.
4,038,719 A	8/1977	Bennett	6,131,488 A	10/2000	Coonrad
4,154,273 A	5/1979	Pollak	D436,821 S	1/2001	Douglas et al.
D262,186 S	12/1981	Royce	6,202,511 B1	3/2001	Murray et al.
4,363,344 A	12/1982	Pollak	D442,048 S	5/2001	Coonrad
4,639,029 A	1/1987	Kolonia	6,250,181 B1	6/2001	Coonrad
D291,402 S *	8/1987	Square D8/75	D449,770 S	10/2001	Chen
D300,111 S	3/1989	Square	6,370,986 B1	4/2002	Scott
5,123,303 A	6/1992	Lee et al.	6,405,616 B1	6/2002	Chen
5,259,274 A	11/1993	Hreha	D459,968 S *	7/2002	Harkins et al. D8/75
5,425,176 A	6/1995	Brainerd et al.	6,460,430 B2	10/2002	Coonrad
5,588,343 A	12/1996	Rust et al.	D470,380 S *	2/2003	Huang D8/75
5,657,674 A	8/1997	Burnett	D478,264 S	8/2003	Chen
5,768,956 A	6/1998	Coonrad	D478,265 S	8/2003	Chen
5,860,334 A	1/1999	Coonrad	D478,266 S	8/2003	Chen
D408,702 S	4/1999	Hammond et al.	6,647,829 B1	11/2003	Youngren et al.
5,906,144 A	5/1999	Staviski et al.	D519,348 S *	4/2006	Chen D8/75
D416,462 S	11/1999	Pringle et al.	2001/0029813 A1	10/2001	Schroeder
5,988,019 A	11/1999	Coonrad	2004/0045411 A1	3/2004	Youngren et al.

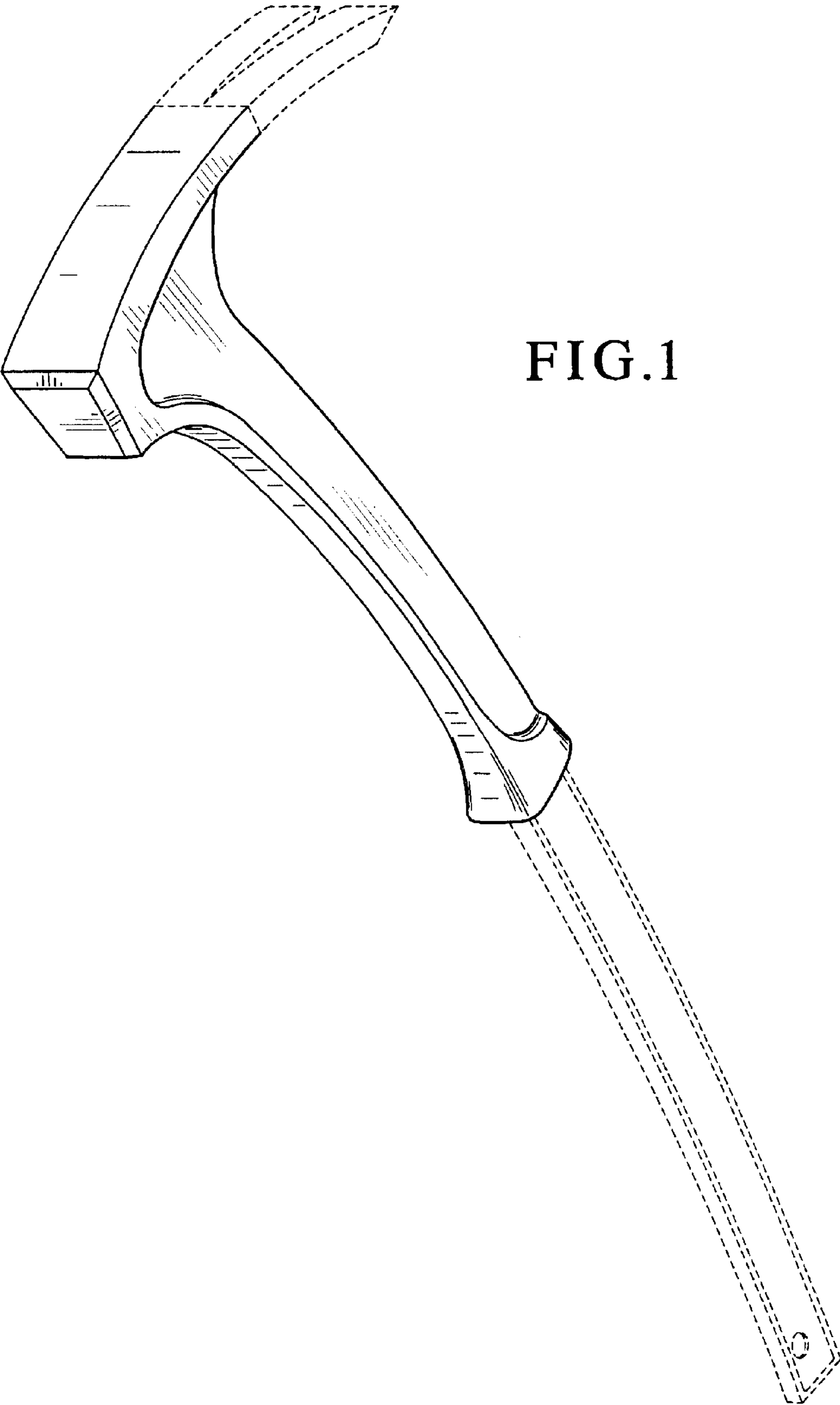


FIG.1

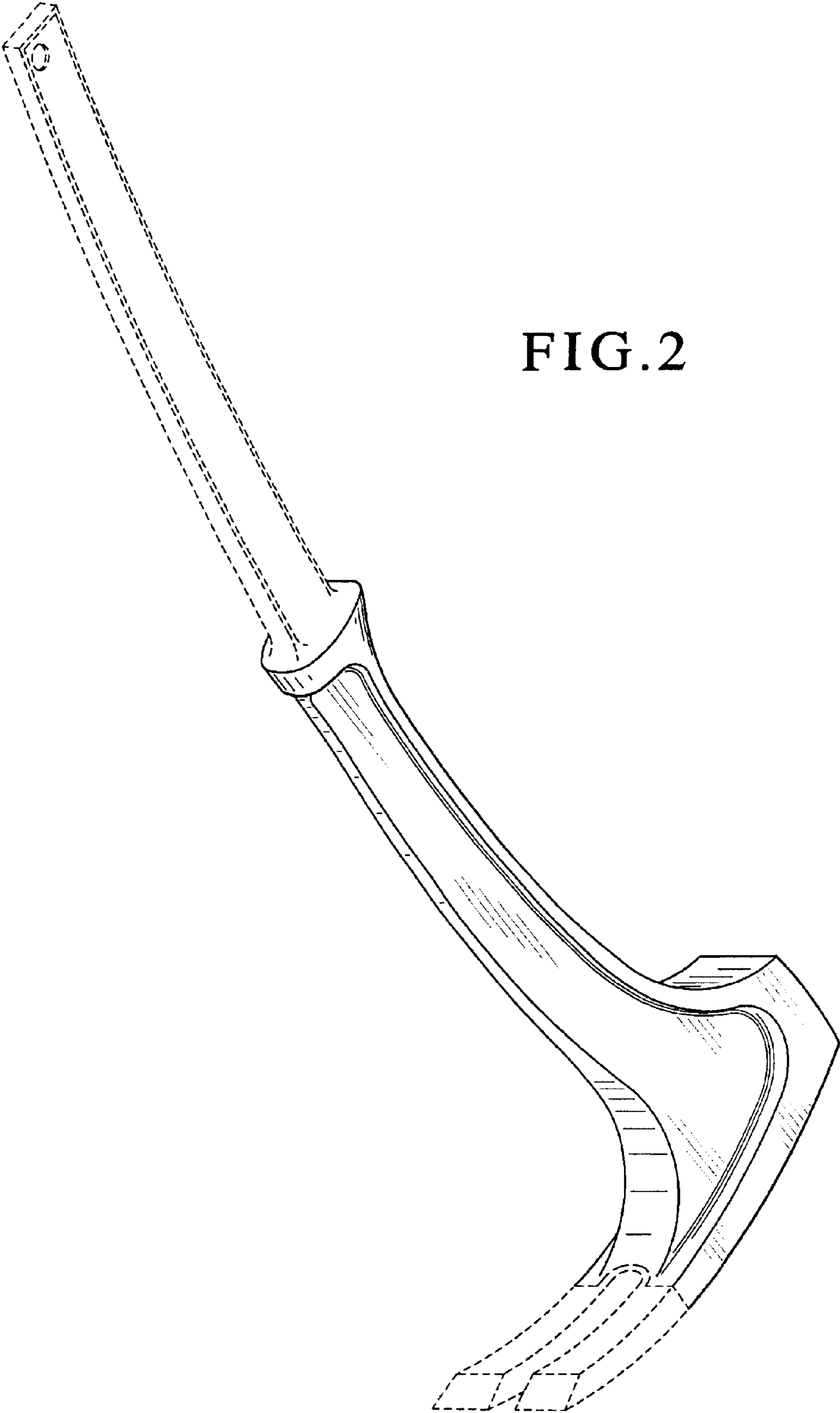


FIG. 2

FIG.3

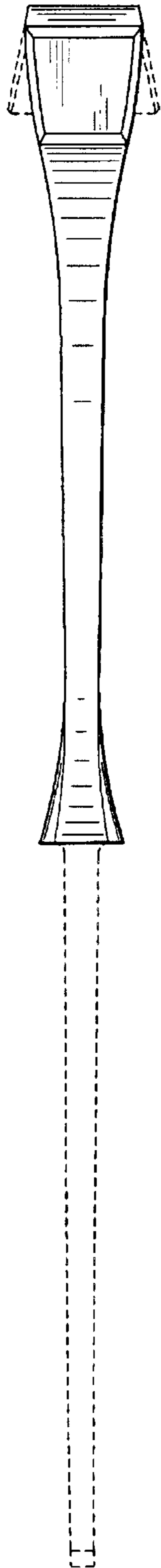


FIG.4

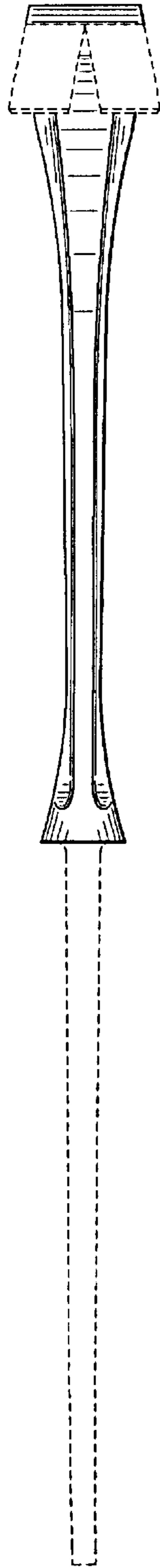


FIG.5

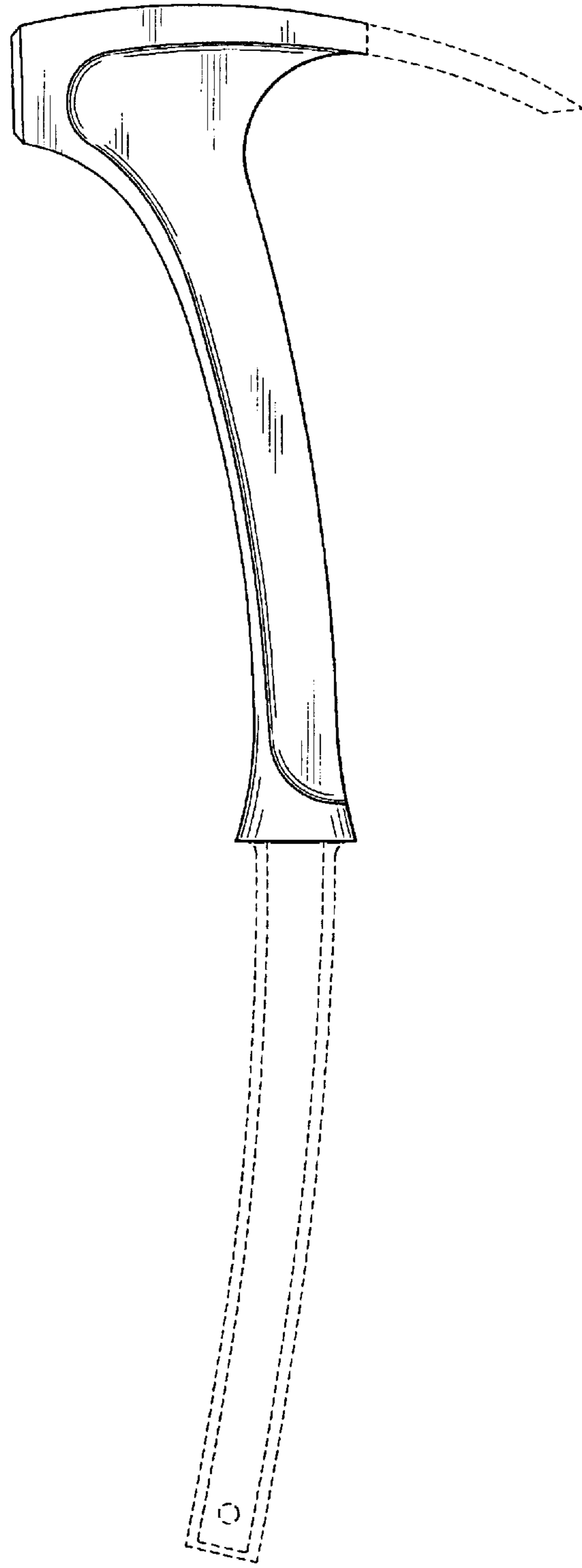


FIG. 6

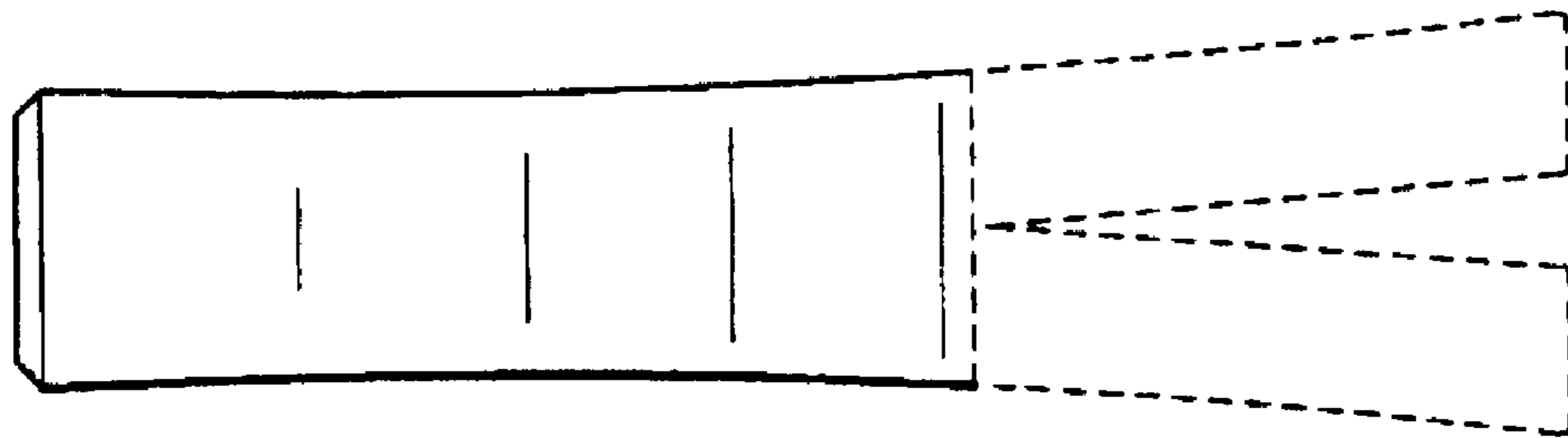
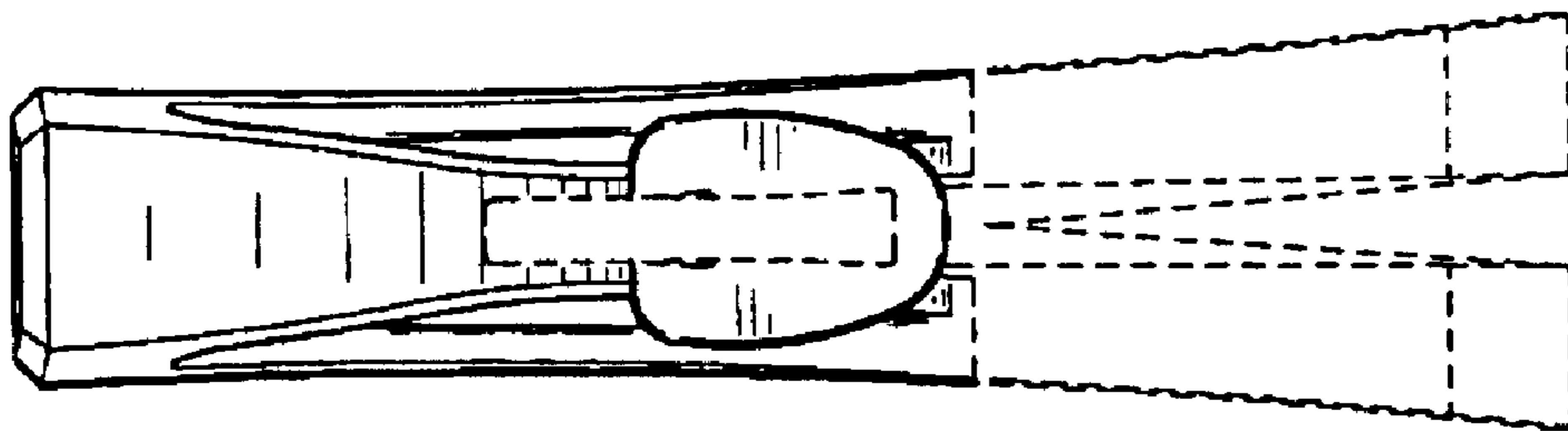


FIG. 7



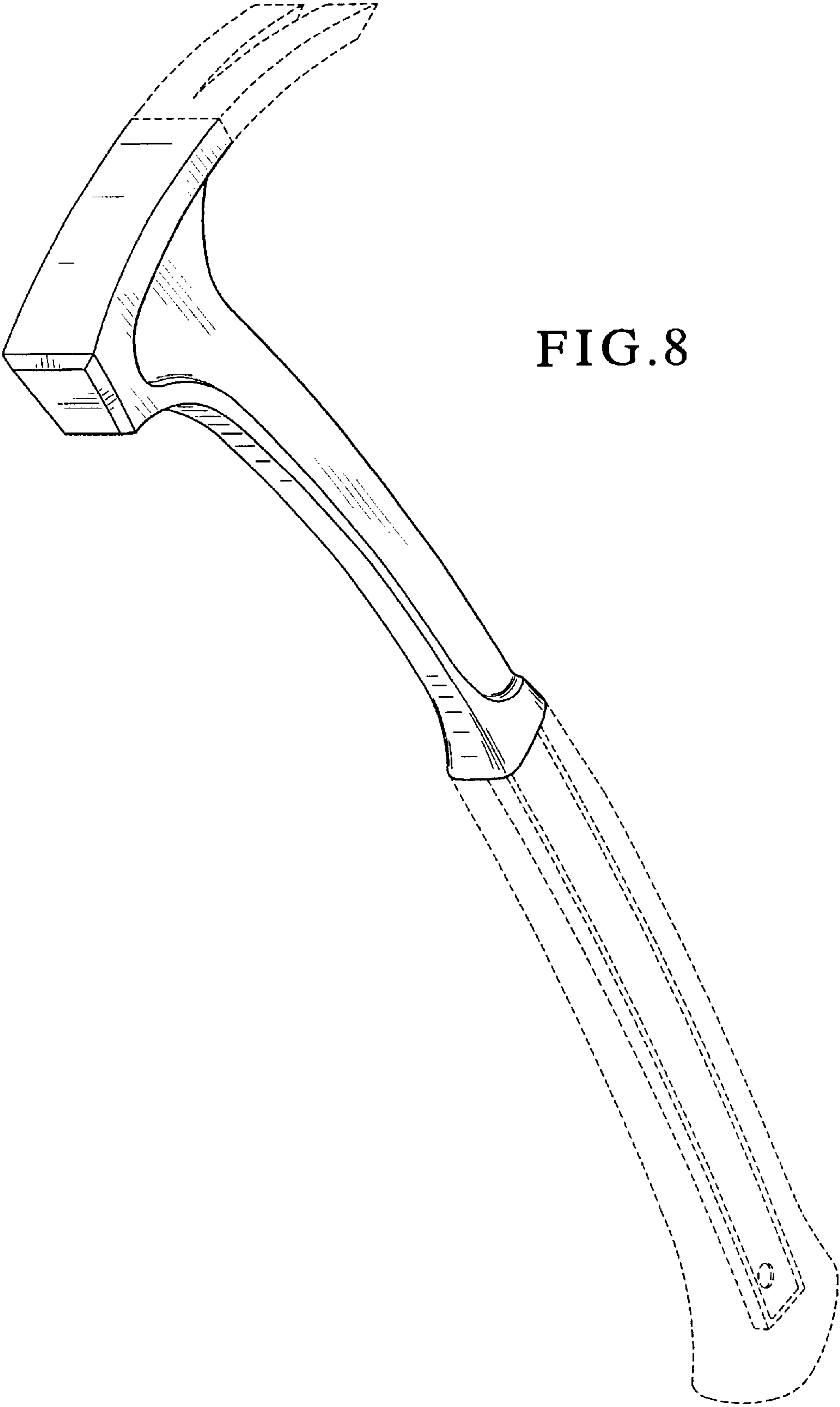


FIG. 8