



US00D540645S

(12) **United States Design Patent** (10) **Patent No.:** **US D540,645 S**  
**Yaksich** (45) **Date of Patent:** **\*\* Apr. 17, 2007**

(54) **DRILL CHUCK**  
(75) Inventor: **Theodore G. Yaksich**, Seneca, SC (US)  
(73) Assignee: **Jacobs Chuck Manufacturing Company**, Clemson, SC (US)  
(\*\*) Term: **14 Years**  
(21) Appl. No.: **29/262,784**  
(22) Filed: **Jul. 11, 2006**

**Related U.S. Application Data**

(62) Division of application No. 29/240,935, filed on Oct. 20, 2005.  
(51) **LOC (8) Cl.** ..... **08-01**  
(52) **U.S. Cl.** ..... **D8/70; D15/138**  
(58) **Field of Classification Search** ..... D8/61, D8/62, 63, 64, 65, 66, 67, 68, 69, 70, 71; 279/60, 61, 62, 63, 64, 65, 66, 157, 901, 279/902; 408/56, 240; D15/132, 133, 138, D15/139, 140  
See application file for complete search history.

(56) **References Cited**

**U.S. PATENT DOCUMENTS**

3,927,892 A \* 12/1975 Pradota ..... 279/62  
5,476,273 A 12/1995 Shadeck et al. .... 279/60  
D392,654 S \* 3/1998 Stratford et al. .... D8/70  
D403,222 S \* 12/1998 Lui ..... D8/70  
D404,629 S \* 1/1999 Cooper ..... D8/70  
D409,210 S \* 5/1999 Cooper ..... D15/140  
5,913,524 A \* 6/1999 Barton ..... 279/902  
5,944,328 A \* 8/1999 Lin et al. .... 279/62  
D417,228 S \* 11/1999 Miles ..... D15/140  
D434,629 S \* 12/2000 Long ..... D8/70  
D434,630 S \* 12/2000 Oliver et al. .... D8/70  
6,193,242 B1 \* 2/2001 Robison ..... 279/62  
D447,399 S \* 9/2001 Netzler ..... D8/70  
6,286,842 B1 \* 9/2001 Huff et al. .... 279/60  
D462,248 S \* 9/2002 Cooper ..... D8/68  
D464,858 S \* 10/2002 Netzler ..... D8/68  
6,902,172 B2 \* 6/2005 Rohm ..... 279/62

D513,691 S \* 1/2006 Watson et al. .... D8/70  
D520,324 S \* 5/2006 Yaksich et al. .... D8/70  
2001/0011799 A1 \* 8/2001 Miles et al. .... 279/60  
2003/0155723 A1 \* 8/2003 Rohm et al. .... 279/62  
2004/0032095 A1 \* 2/2004 Rohm ..... 279/62  
2004/0041357 A1 \* 3/2004 Zhou ..... 279/62  
2005/0212223 A1 \* 9/2005 Tian et al. .... 279/62  
2006/0027978 A1 \* 2/2006 Young et al. .... 279/62  
2006/0208433 A1 \* 9/2006 Cachod ..... 279/63

**FOREIGN PATENT DOCUMENTS**

GB 2091262 S \* 3/2000

**OTHER PUBLICATIONS**

Photos of co-molded chuck believed to be sold more than 1 year prior to the filing date of the present application, prior to Jul. 11, 2005.

\* cited by examiner

*Primary Examiner*—T. Chase Nelson  
(74) *Attorney, Agent, or Firm*—Nelson Mullins Riley & Scarborough, LLP

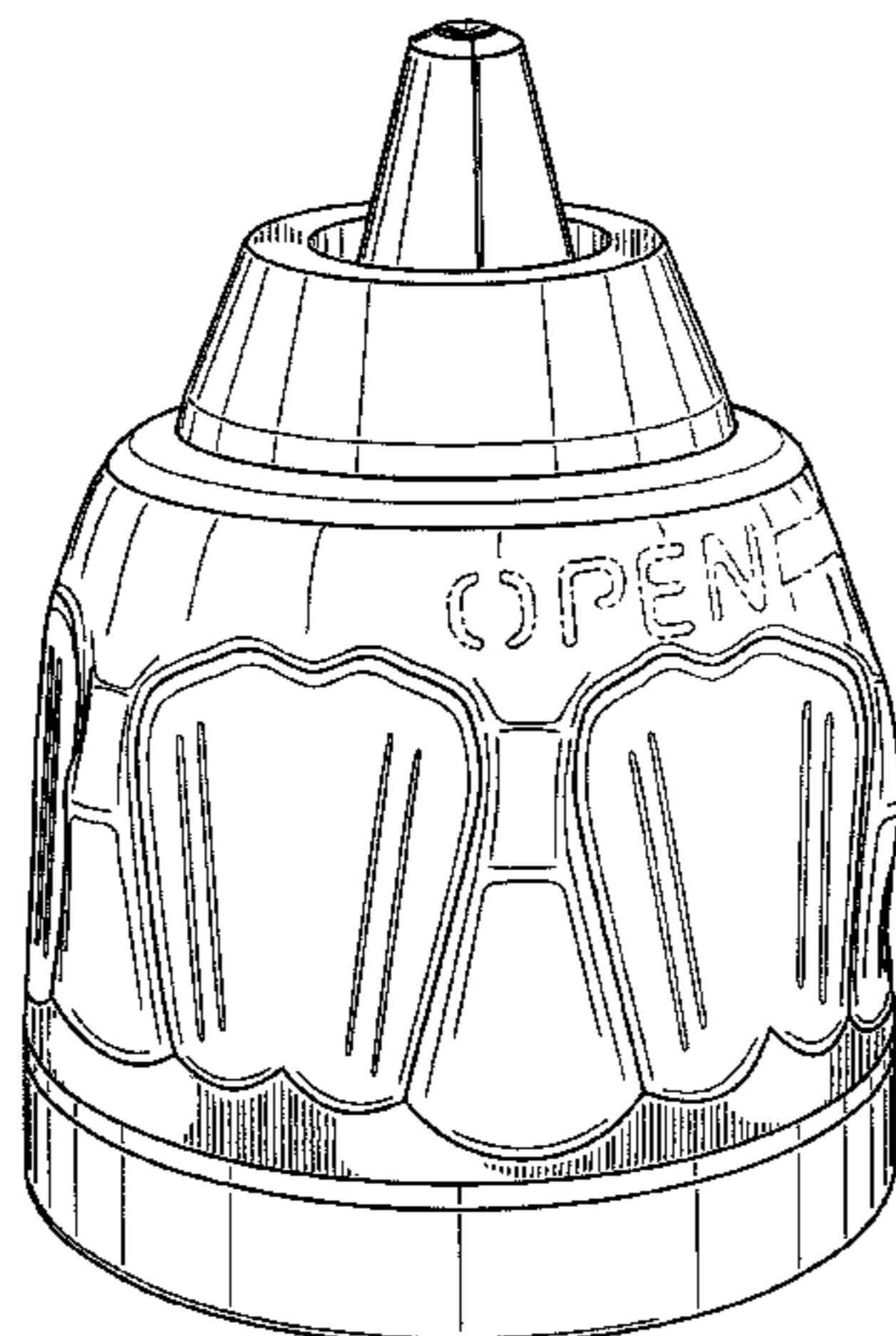
(57) **CLAIM**

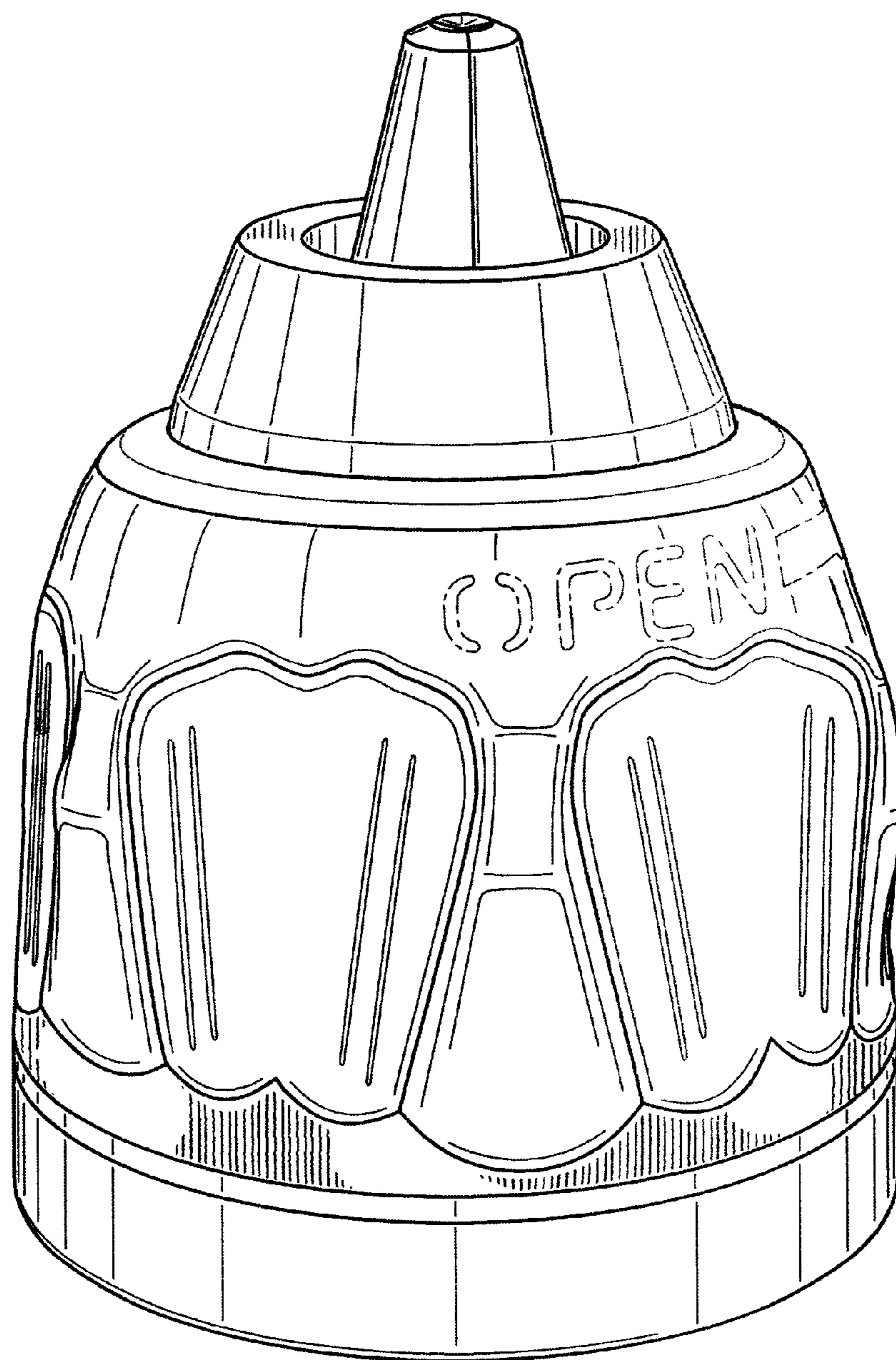
The ornamental design for a drill chuck, substantially as shown and described.

**DESCRIPTION**

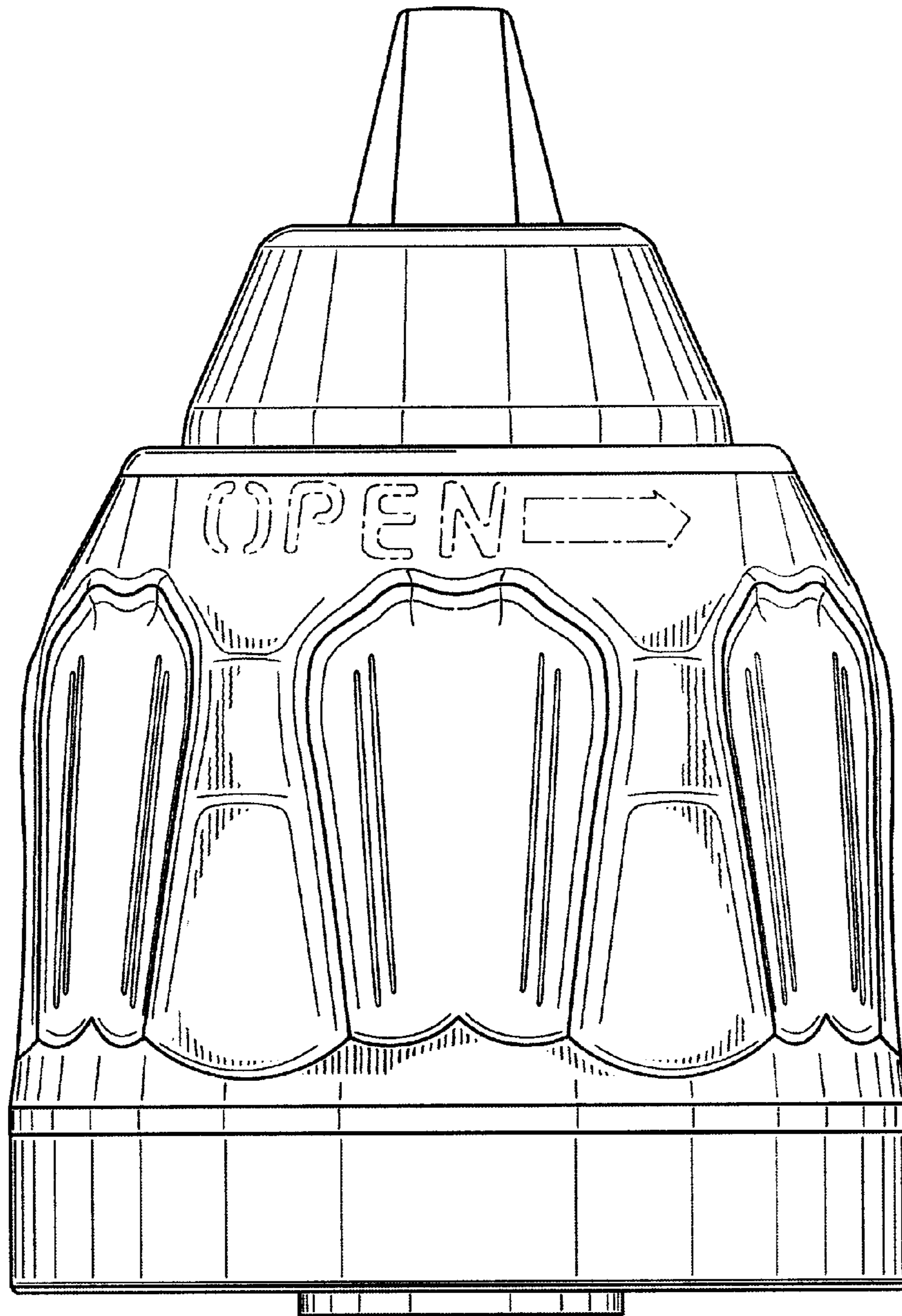
FIG. 1 is a perspective view of a drill chuck embodying the design of the present invention;  
FIG. 2 is a front elevation view of the drill chuck illustrated in FIG. 1;  
FIG. 3 is a back elevation view of the drill chuck shown in FIG. 1;  
FIG. 4 is a right side view of the drill chuck shown in FIG. 1;  
FIG. 5 is a left side view of the drill chuck shown in FIG. 1;  
FIG. 6 is a top view of the drill chuck shown in FIG. 1; and, FIG. 7 is a bottom view of the drill chuck shown in FIG. 1. Broken lines are for illustrative purposes only and form no part of the claim.

**1 Claim, 6 Drawing Sheets**

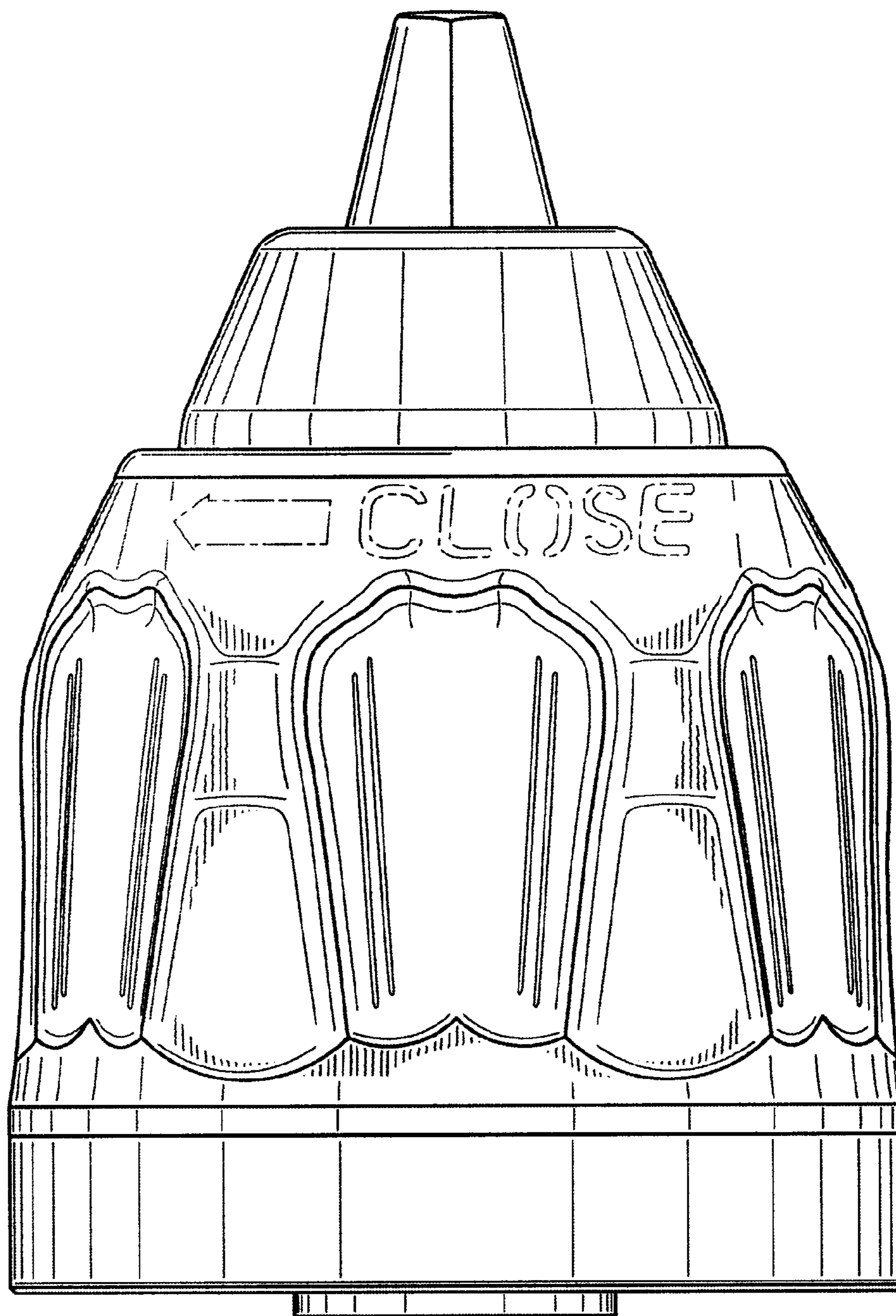




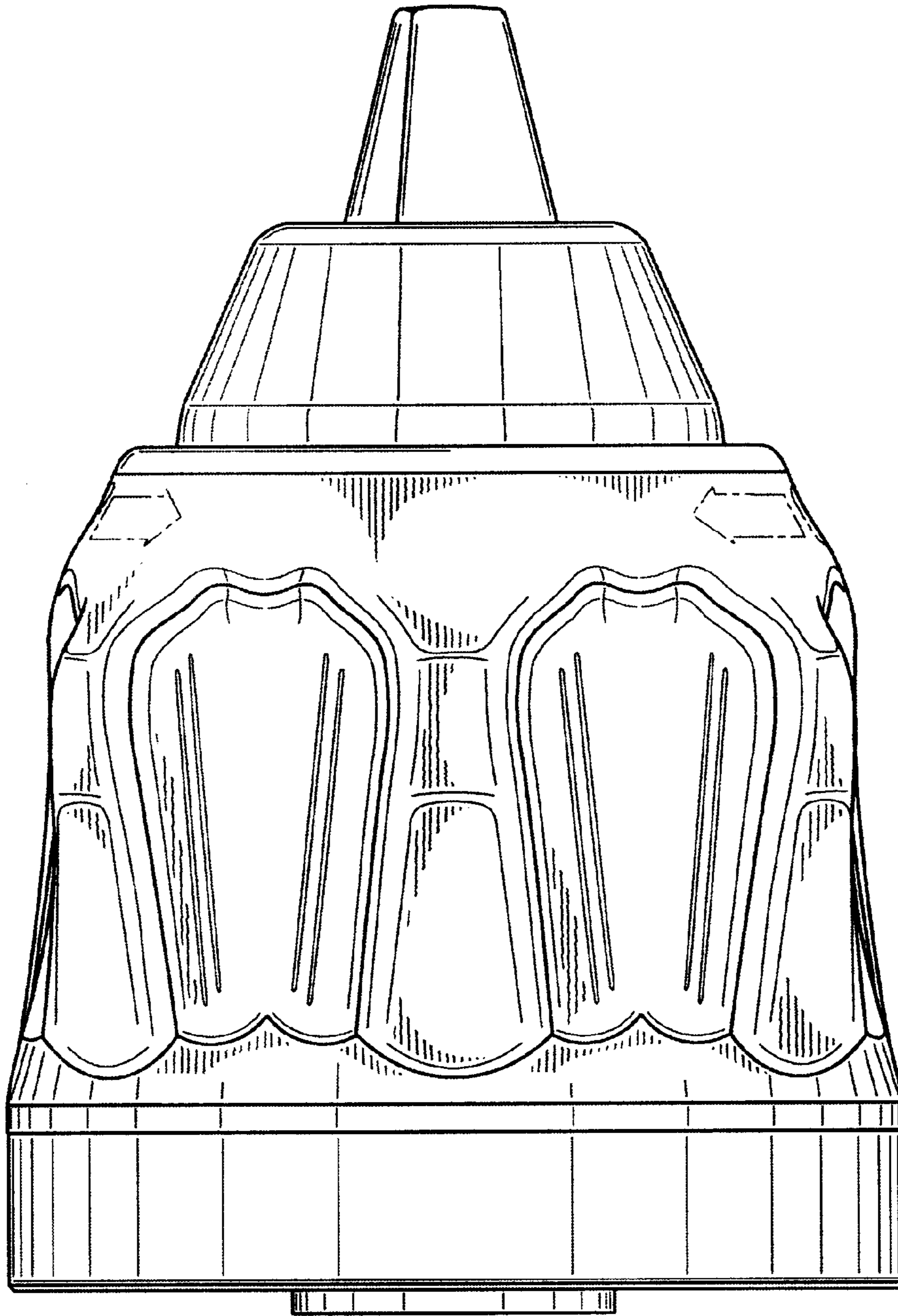
**Fig. 1**



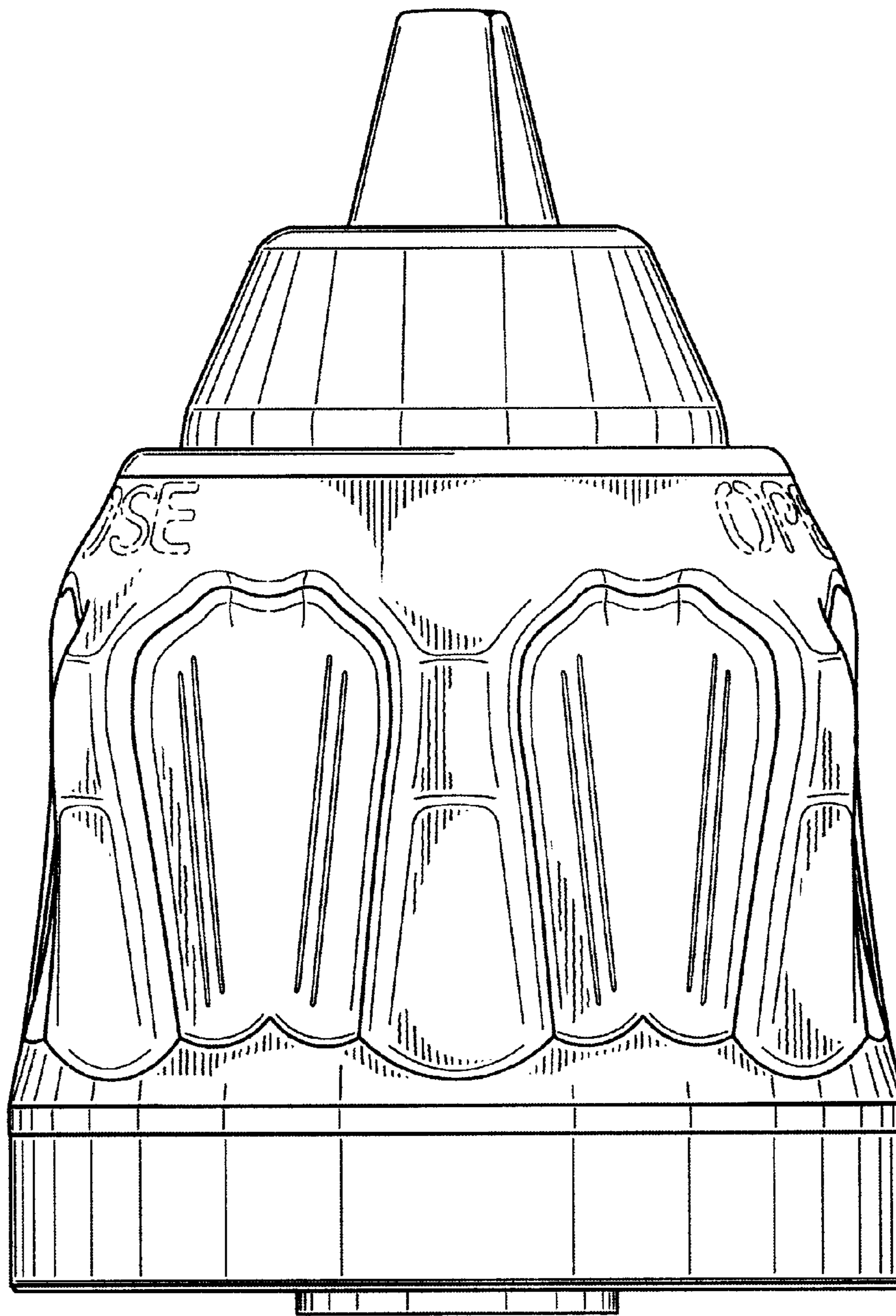
**Fig. 2**



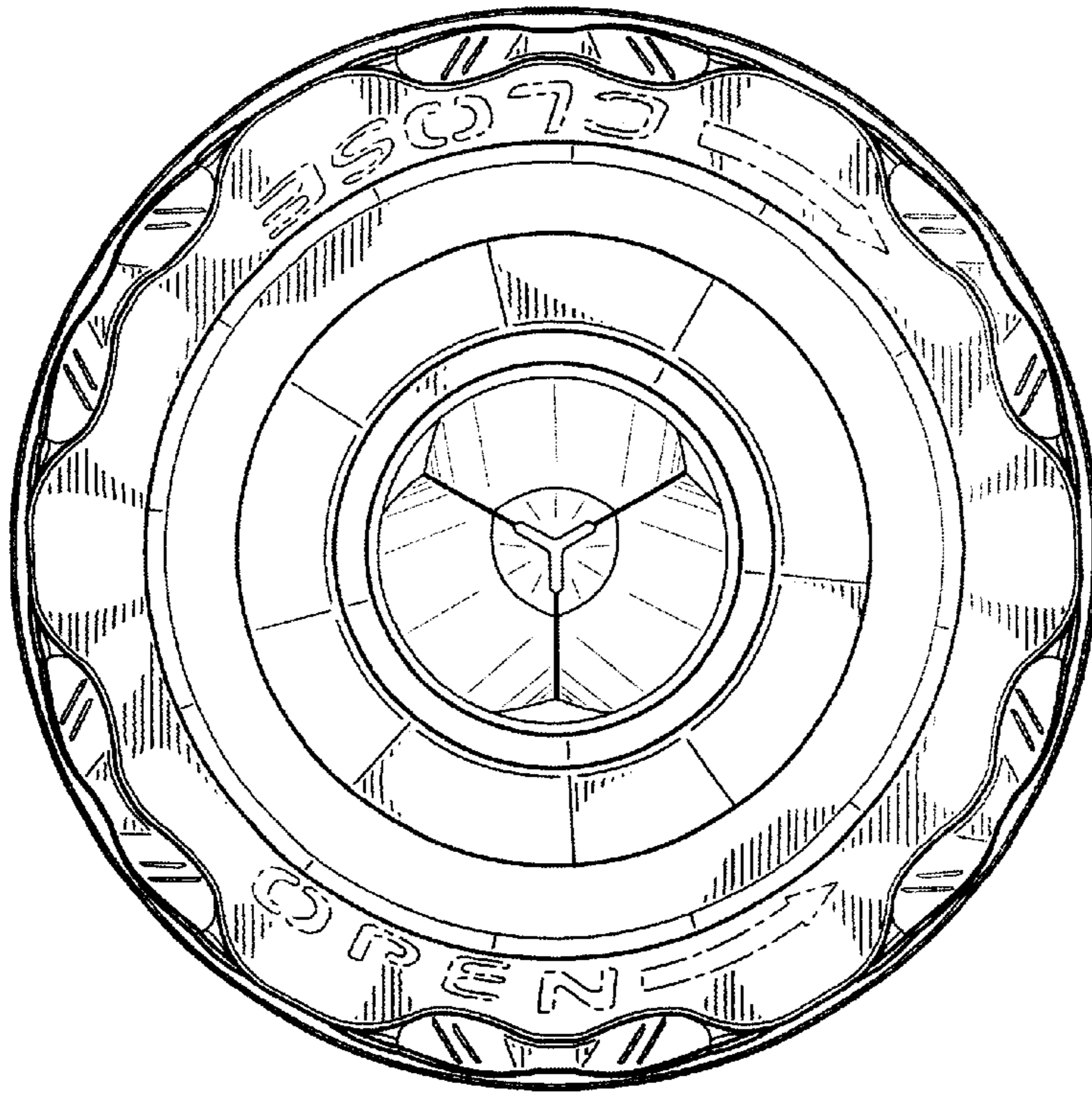
**Fig. 3**



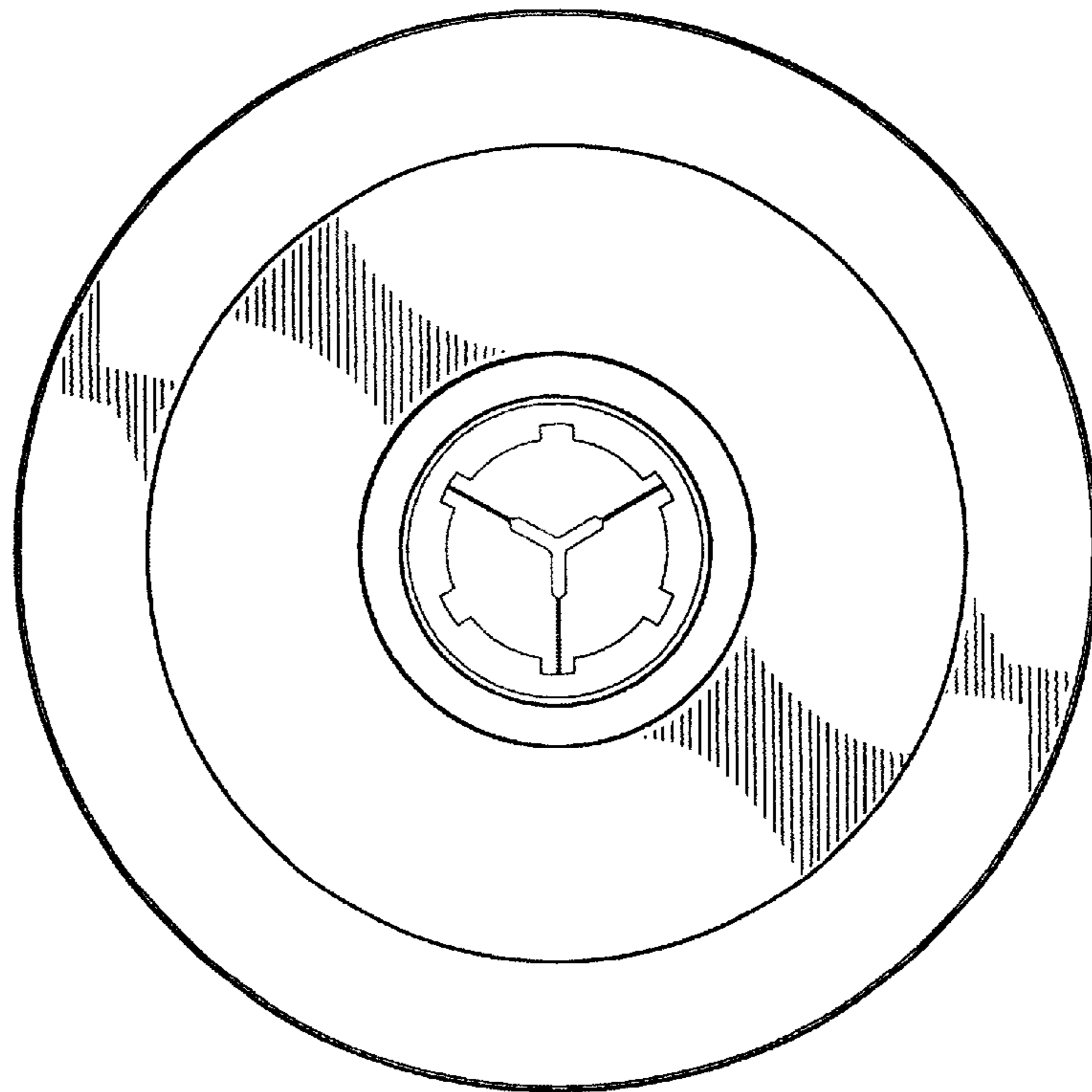
**Fig. 4**



**Fig. 5**



**Fig. 6**



**Fig. 7**