

US00D540643S

(12) **United States Design Patent**  
**Waldron**

(10) **Patent No.: US D540,643 S**  
(45) **Date of Patent: \*\* Apr. 17, 2007**

(54) **POWERED DRILL**

(75) Inventor: **Michael Waldron**, Pocklington (GB)

(73) Assignee: **GMCA Pty Ltd**, Victoria 3045

(\*\*) Term: **14 Years**

(21) Appl. No.: **29/257,970**

(22) Filed: **Apr. 13, 2006**

(30) **Foreign Application Priority Data**

Dec. 23, 2005 (EM) ..... 000460373

(51) **LOC (8) Cl.** ..... **08-01**

(52) **U.S. Cl.** ..... **D8/69**

(58) **Field of Classification Search** ..... D8/14.1,  
D8/61, 62, 63, 64, 65, 66, 67, 68, 69, 70;  
81/57.11, 429, 464, 465, 466, 469, 489; 173/13,  
173/104, 114, 168, 169, 170, 171, 178, 201,  
173/211, 213, 217; 408/20, 124, 125, 234,  
408/241 R; 451/358; 310/50; 227/8, 113,  
227/114, 120, 130, 136, 142

See application file for complete search history.

(56) **References Cited**

**U.S. PATENT DOCUMENTS**

D326,805 S	*	6/1992	Clivio	.....	D8/69
D333,767 S	*	3/1993	Sasaki et al.	.....	D8/69
D413,244 S	*	8/1999	Robson	.....	D8/69
6,543,549 B1	*	4/2003	Riedl et al.	.....	310/50
6,641,467 B1	*	11/2003	Robson et al.	.....	408/20
D503,079 S	*	3/2005	Aglassinger	.....	D8/69
D508,388 S	*	8/2005	Aglassinger	.....	D8/69
D515,382 S	*	2/2006	Andriolo	.....	D8/69
2002/0100347 A1	*	8/2002	Daubinger et al.	.....	81/469
2004/0029508 A1	*	2/2004	Robson et al.	.....	451/358
2005/0247466 A1	*	11/2005	Andriolo et al.	.....	173/170

**FOREIGN PATENT DOCUMENTS**

GB	2063494 S	*	2/1997
GB	2082324 S	*	3/1999
GB	3000712 S	*	1/2001
GB	2105551 S	*	10/2001
GB	3009348 S	*	12/2002
GB	3015638 S	*	12/2003
GB	3018186 S	*	7/2004

\* cited by examiner

*Primary Examiner*—T. Chase Nelson

(74) *Attorney, Agent, or Firm*—Head, Johnson & Kachigian

(57) **CLAIM**

The ornamental design for a powered drill, as shown and described.

**DESCRIPTION**

FIG. 1 is a top view of the powered drill of the present invention;

FIG. 2 is a bottom view of the powered drill of the present invention;

FIG. 3 is a front view of the powered drill of the present invention;

FIG. 4 is a rear view of the powered drill of the present invention;

FIG. 5 is a left view of the powered drill of the present invention;

FIG. 6 is a right view of the powered drill of the present invention;

FIG. 7 is a perspective right view of the powered drill of the present invention; and,

FIG. 8 is a perspective left view of the powered drill of the present invention.

**1 Claim, 8 Drawing Sheets**

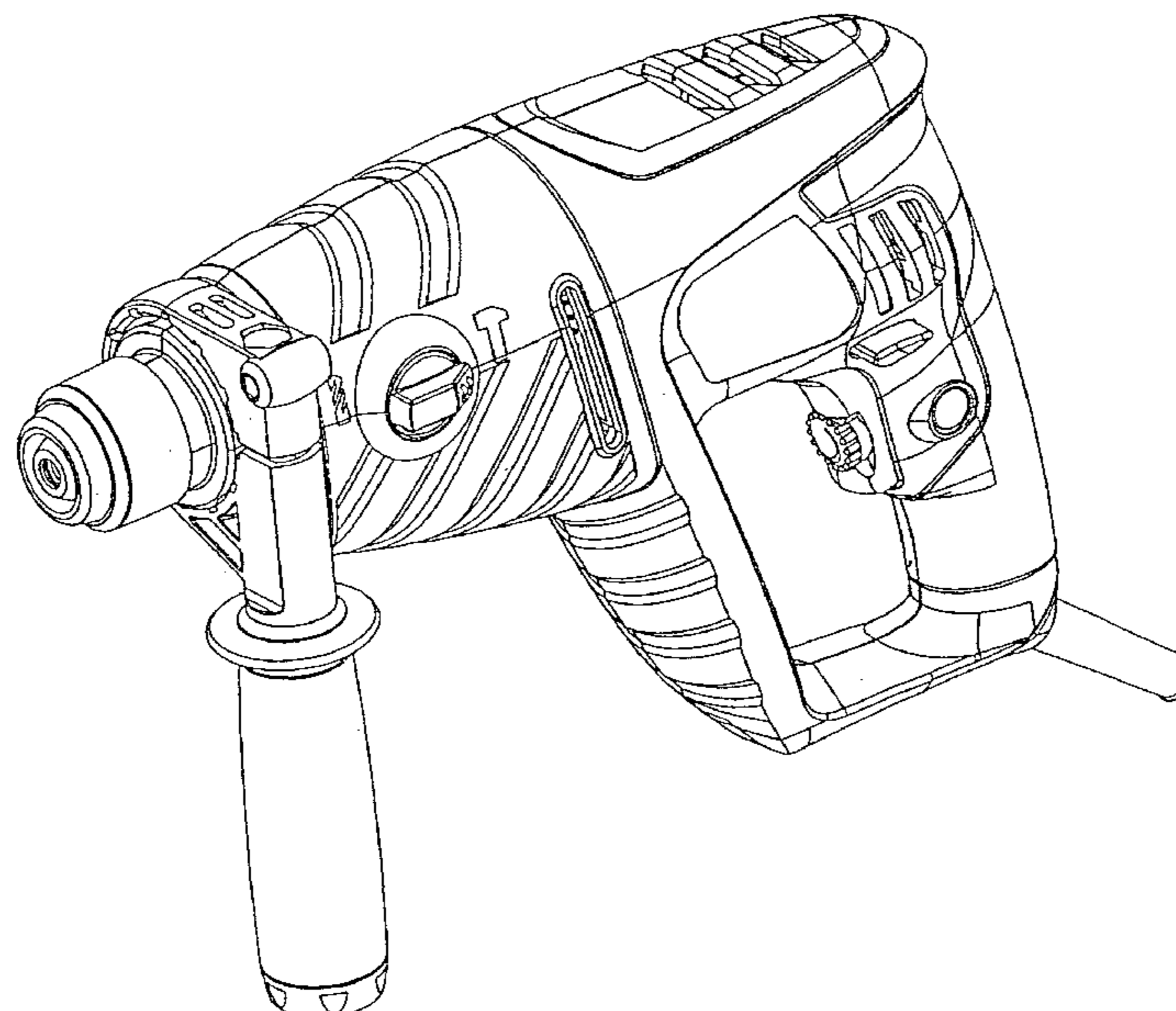


FIG. 1

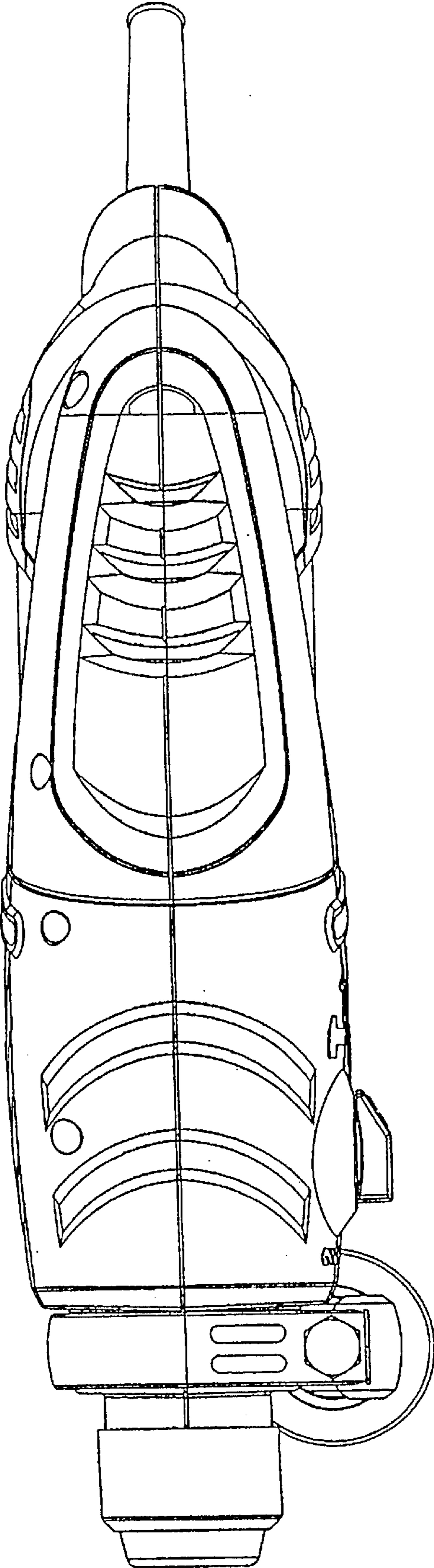


FIG. 2

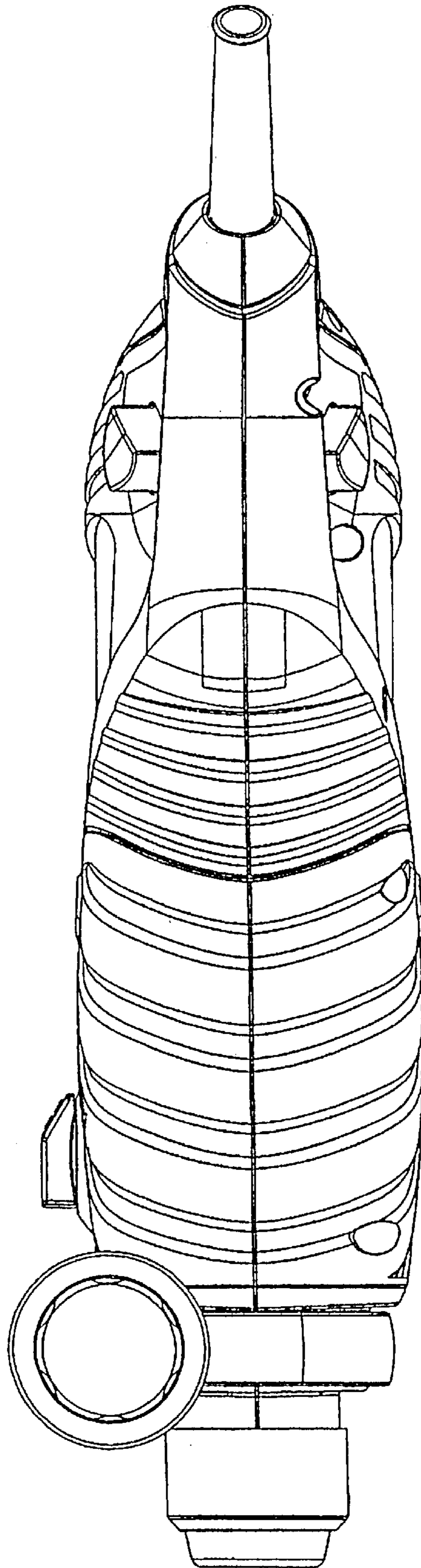


FIG. 3

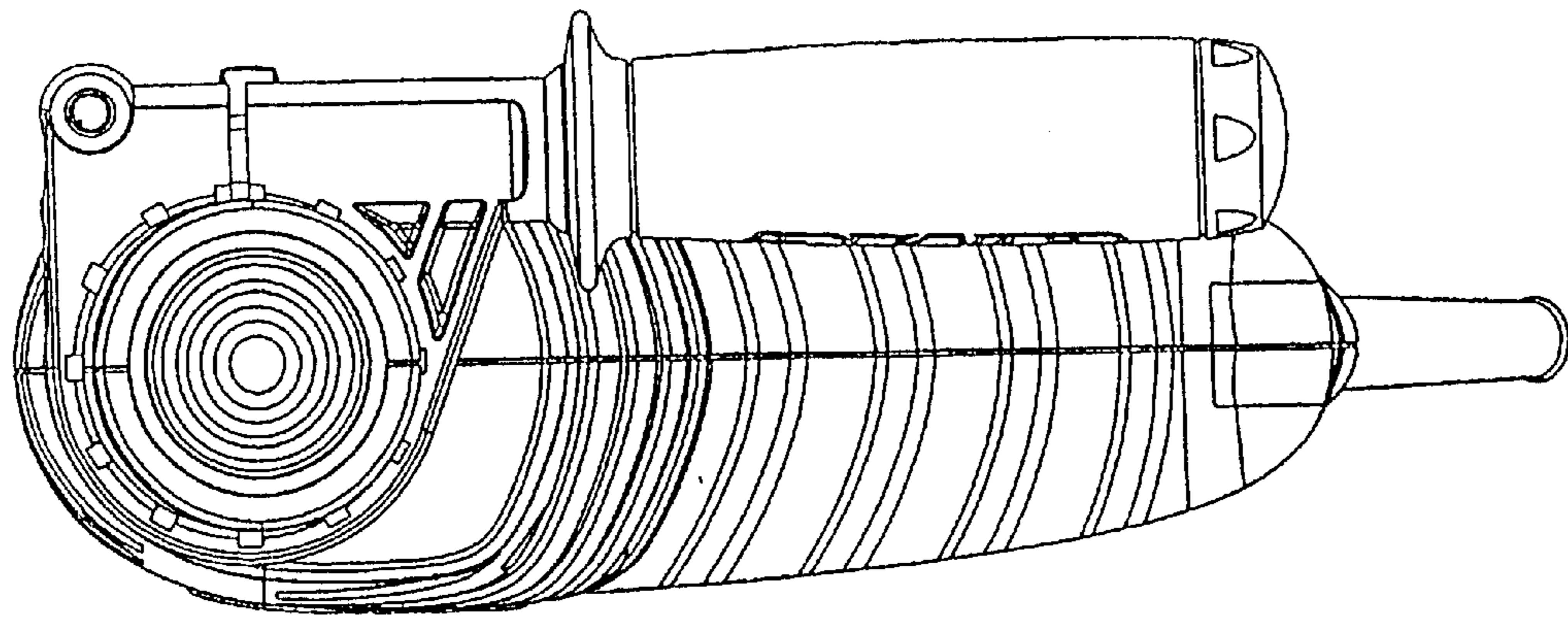
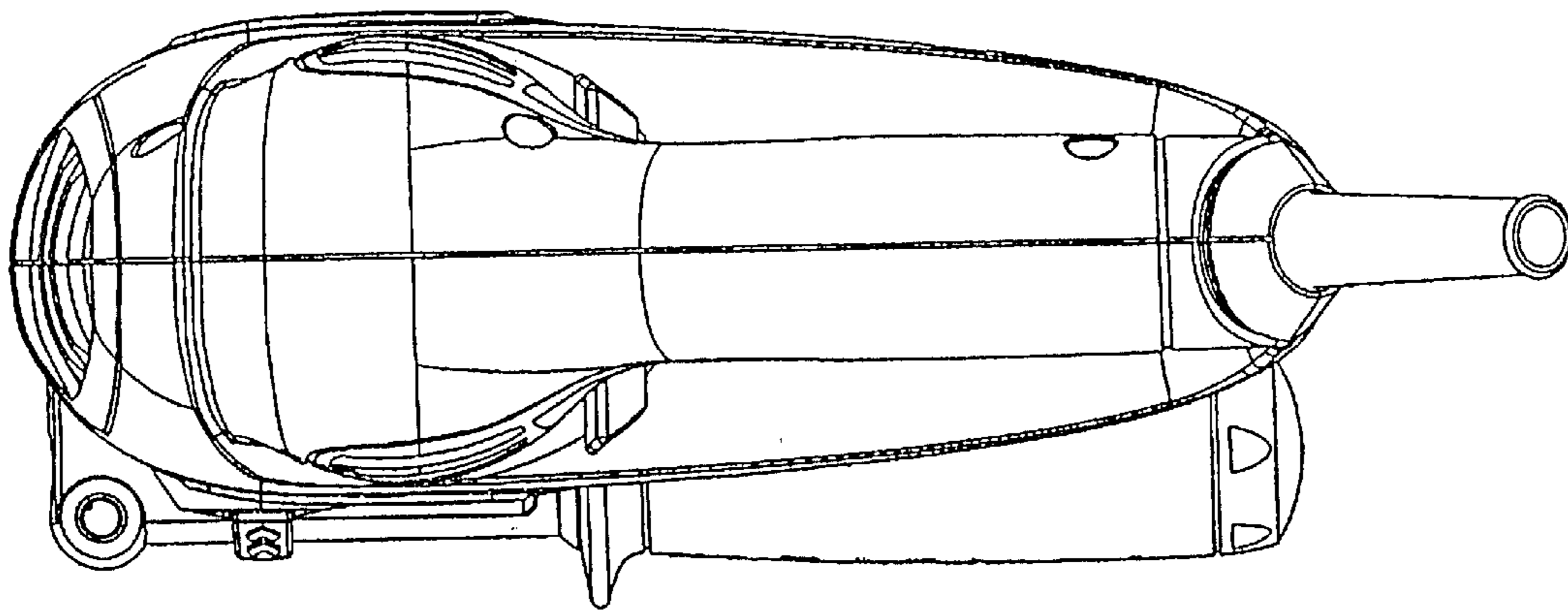


FIG. 4



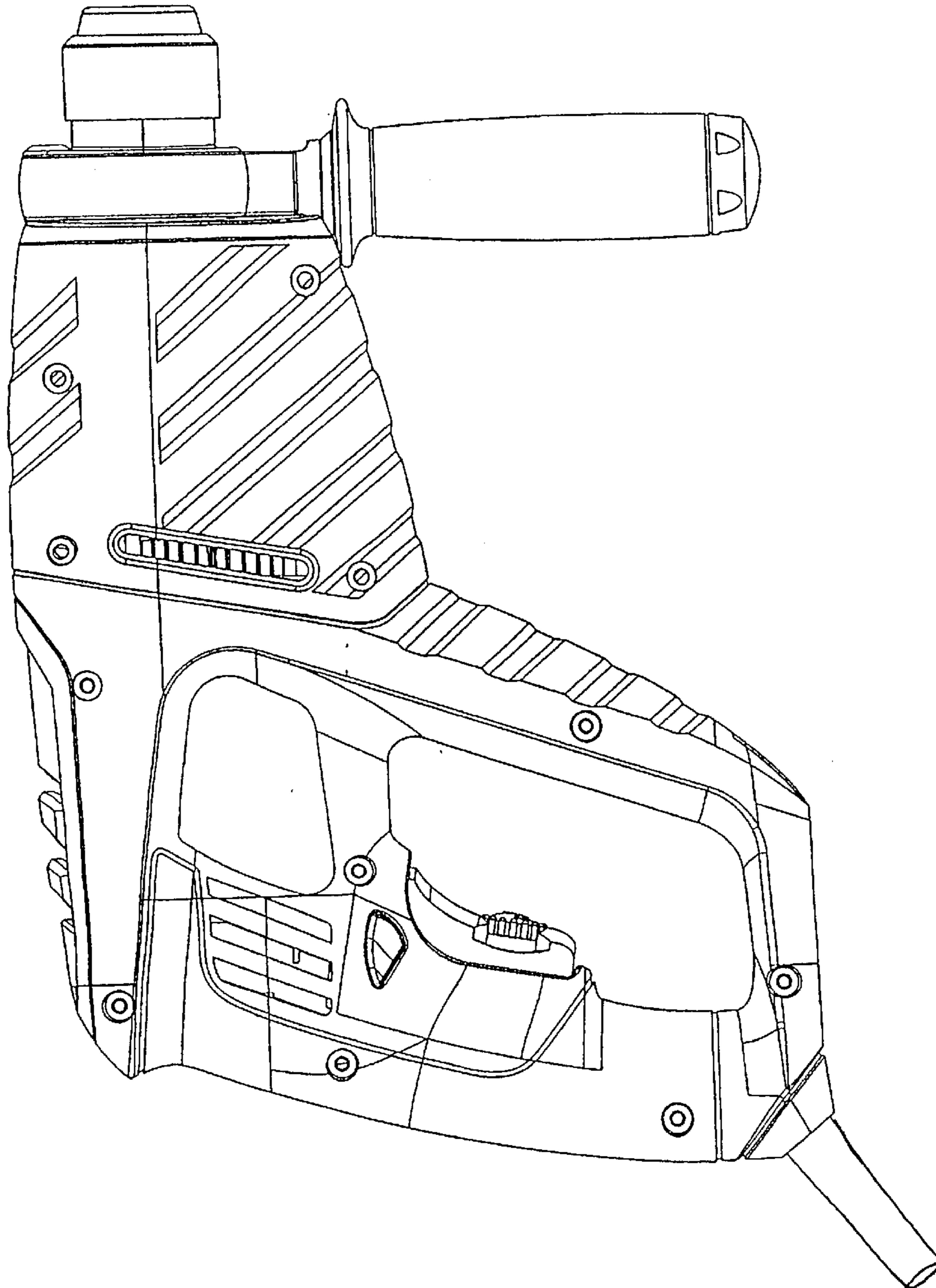


FIG. 5

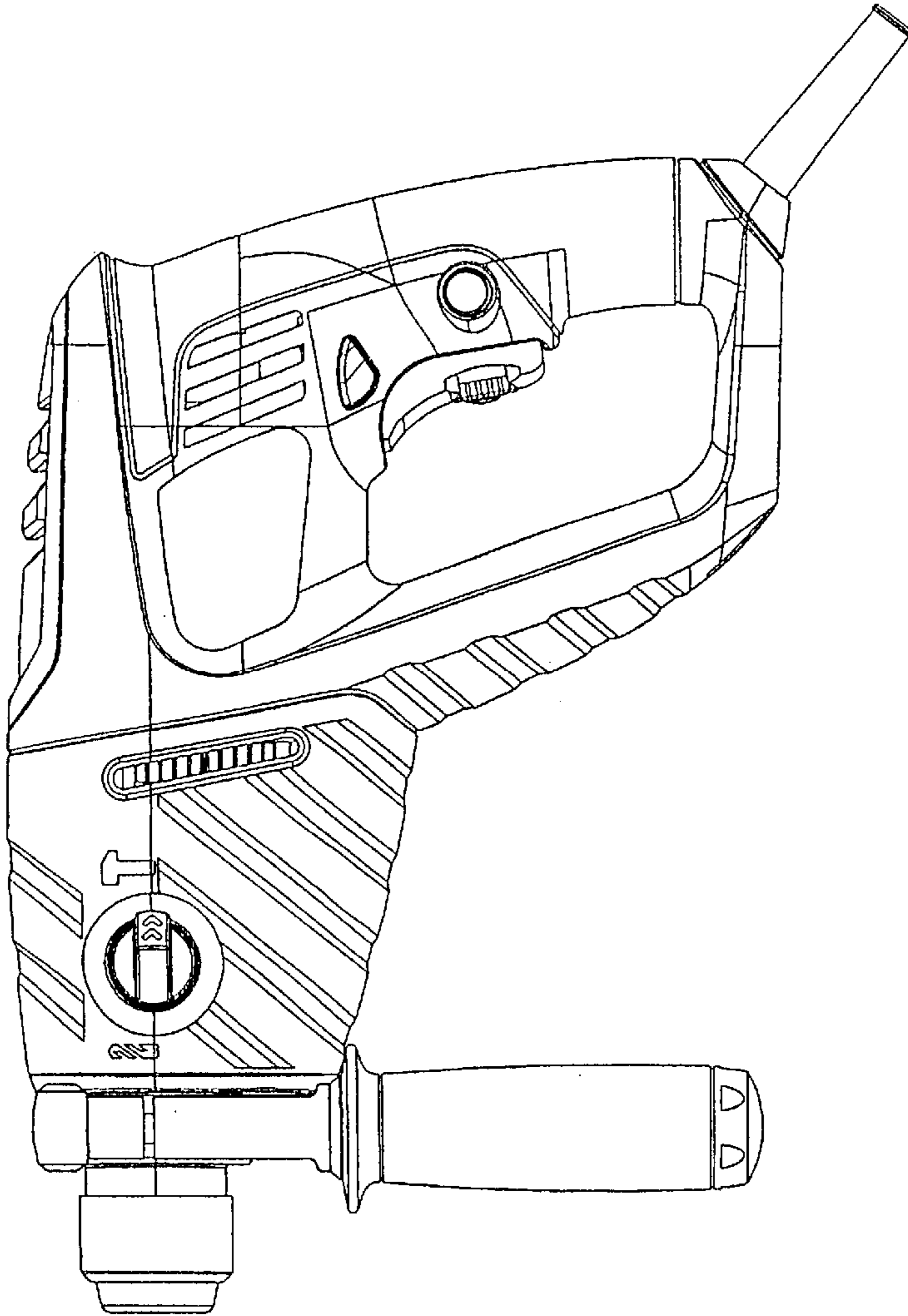


FIG. 6

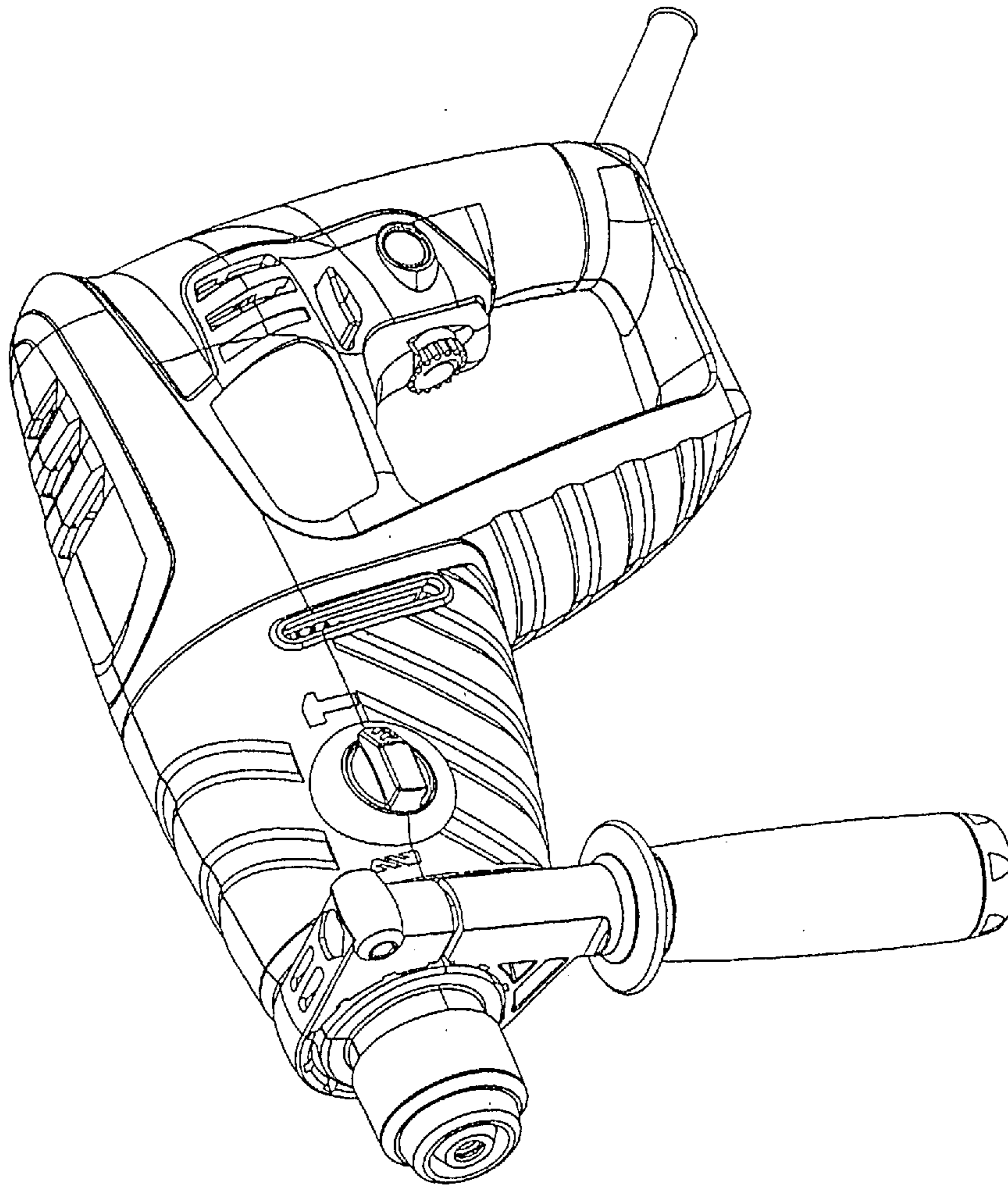


FIG. 7



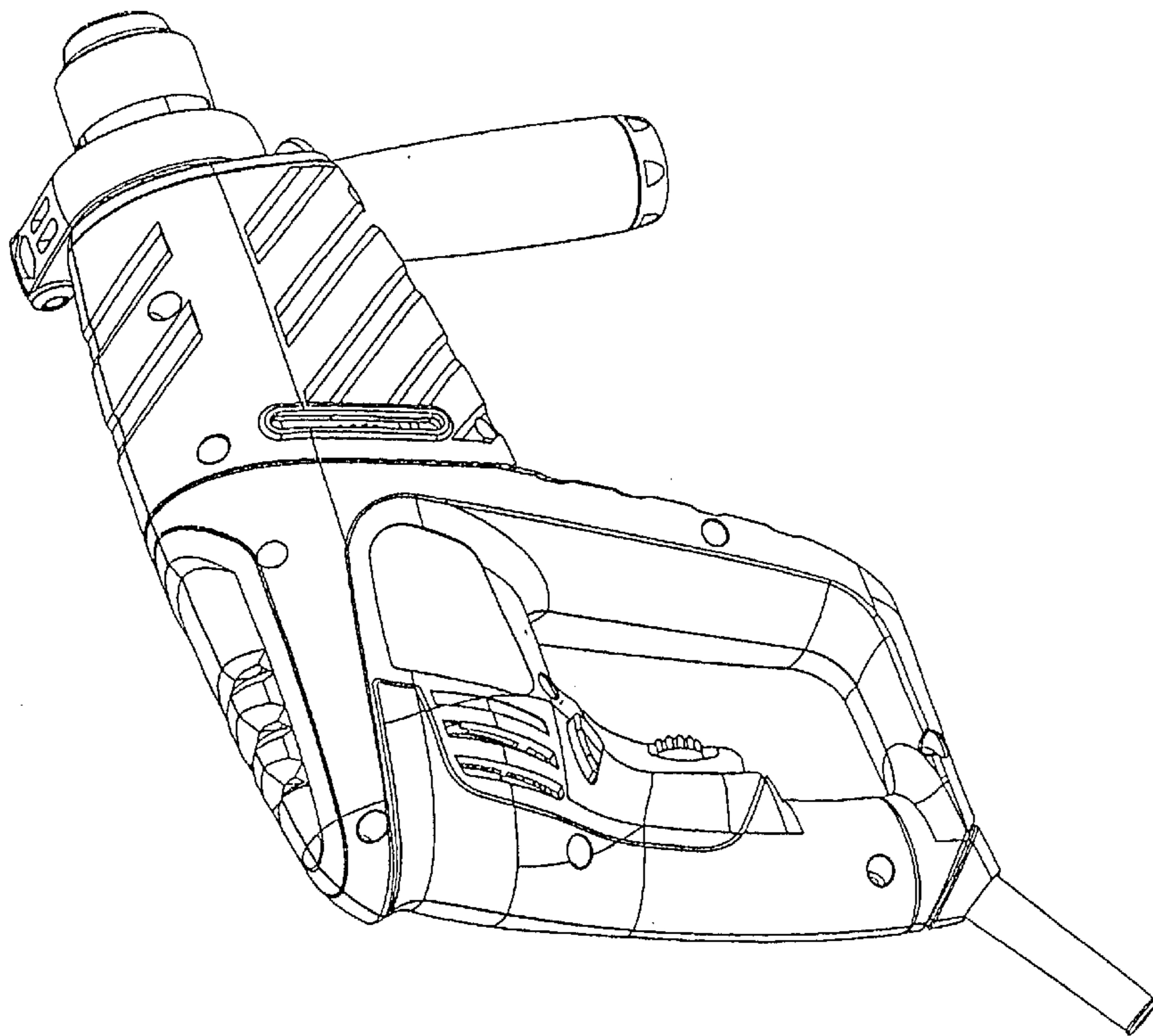


FIG. 8