

US00D540642S

(12) **United States Design Patent**
Stirm

(10) **Patent No.:** **US D540,642 S**

(45) **Date of Patent:** **** Apr. 17, 2007**

(54) **HAMMER**

(75) Inventor: **Michael Stirm**, Oberursel (DE)

(73) Assignee: **Black & Decker Inc.**, Newark, DE (US)

(**) Term: **14 Years**

(21) Appl. No.: **29/235,963**

(22) Filed: **Aug. 8, 2005**

(30) **Foreign Application Priority Data**

Feb. 10, 2005 (EM) 000293121

(51) **LOC (8) Cl.** **08-02**

(52) **U.S. Cl.** **D8/69**

(58) **Field of Classification Search** D8/14.1,
D8/61, 62, 63, 64, 65, 66, 67, 68, 69, 70;
81/57.11, 429, 464, 465, 466, 469, 489; 173/13,
173/104, 114, 168, 169, 170, 171, 178, 201,
173/211, 213, 217; 408/20, 124, 125, 234,
408/241 R; 451/358; 310/50; 227/8, 114,
227/120, 130, 136, 142

See application file for complete search history.

(56) **References Cited**

U.S. PATENT DOCUMENTS

4,365,962 A * 12/1982 Regelsberger 173/178
4,998,588 A * 3/1991 Manschitz 173/104
D316,020 S 4/1991 Fushiya et al.
D320,918 S 10/1991 Mochida
5,111,889 A * 5/1992 Neumaier 173/48
D327,400 S 6/1992 Fushiya
D328,556 S 8/1992 Fushiya
D333,767 S 3/1993 Sasaki et al.
D341,532 S 11/1993 Watanabe et al.
D341,533 S 11/1993 Karafuji et al.
D349,029 S 7/1994 Matsunaga et al.
D361,252 S 8/1995 De Neergaard et al.
D378,341 S 3/1997 Kim
D378,654 S 4/1997 Matsuoka et al.
D380,132 S 6/1997 Matsunaga et al.
D386,379 S 11/1997 Kasuya

5,697,456 A 12/1997 Radle et al.
D395,586 S 6/1998 Arakawa et al.
5,992,541 A 11/1999 Frenzel et al.
5,996,707 A * 12/1999 Thome et al. 173/217
D432,077 S 10/2000 Zurwelle et al.
6,127,751 A * 10/2000 Kristen et al. 310/50
6,176,321 B1 1/2001 Arakawa et al.
D442,452 S 5/2001 Stirm et al.
D447,032 S 8/2001 Schoen et al.
6,484,814 B2 11/2002 Bongers-Ambrosious
D466,780 S 12/2002 Stirm
D474,092 S 5/2003 Stirm
D477,206 S 7/2003 Sakai et al.
D480,937 S 10/2003 Vogeles et al.
D481,672 S 11/2003 Niwa et al.
D485,738 S 1/2004 Pretzell
D491,438 S 6/2004 Cheung et al.
6,766,868 B2 7/2004 Frauhammer et al.
D502,377 S 3/2005 Aglassinger

(Continued)

FOREIGN PATENT DOCUMENTS

GB 2038046 S * 9/1993
GB 2084054 S * 12/1998

Primary Examiner—T. Chase Nelson
(74) *Attorney, Agent, or Firm*—Michael P. Leary; Charles E. Yocum; Adan Ayala

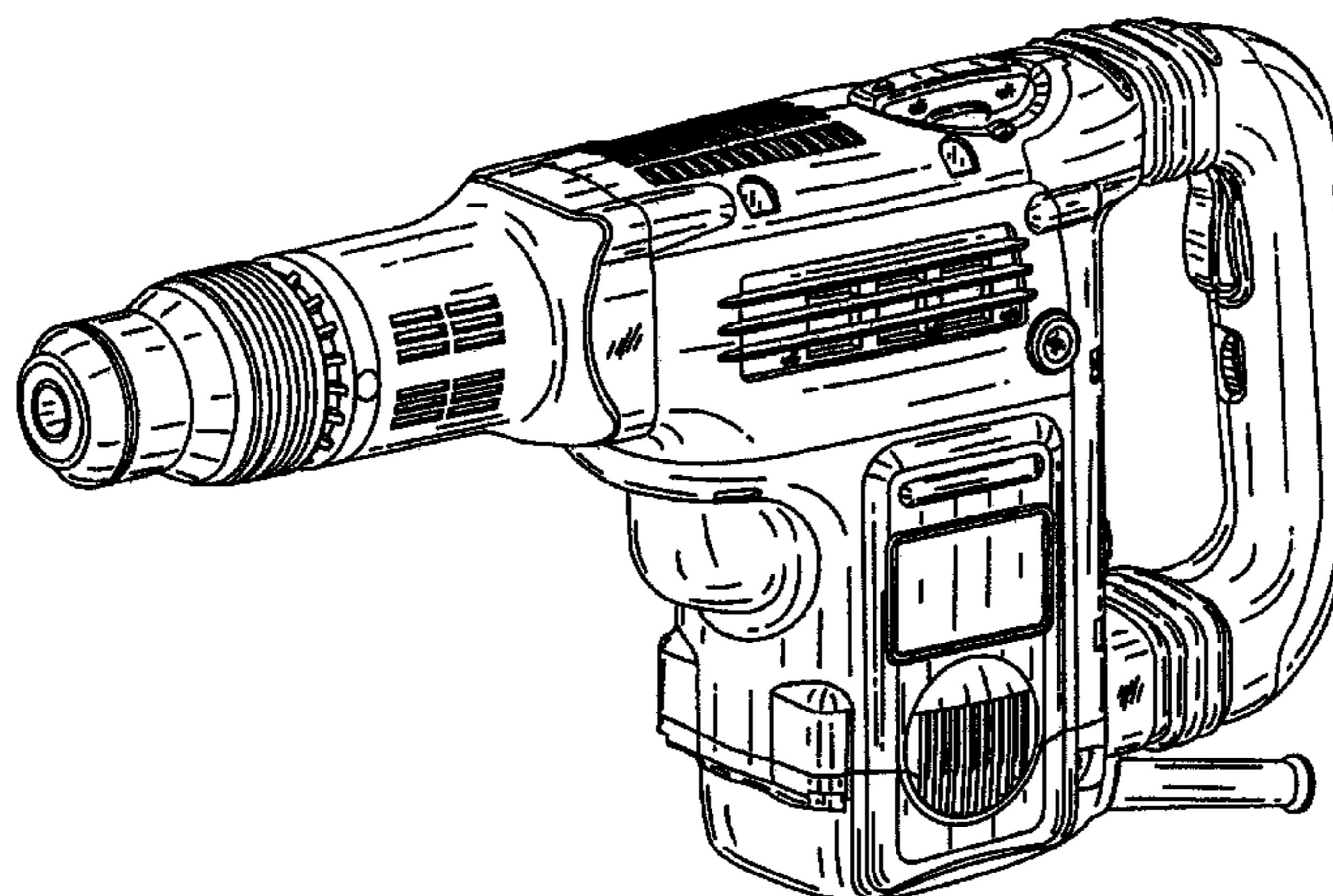
(57) **CLAIM**

The ornamental design for a hammer, as shown and described.

DESCRIPTION

FIG. 1 is a left/front perspective view of a hammer.
FIG. 2 is a left side elevational view thereof.
FIG. 3 is a right side elevational view thereof.
FIG. 4 is a top view thereof.
FIG. 5 is a bottom view thereof.
FIG. 6 is a front elevational view thereof; and,
FIG. 7 is a rear elevational view thereof.

1 Claim, 5 Drawing Sheets



US D540,642 S

Page 2

U.S. PATENT DOCUMENTS					
		2004/0112615	A1 *	6/2004	Mayr et al. 173/217
		2005/0023017	A1	2/2005	Sakai
D503,078	S *	3/2005	Sakai et al.	D8/69	
D509,120	S *	9/2005	Okuda et al.	D8/69	
6,938,705	B2 *	9/2005	Kikuchi	173/201	
2003/0070823	A1 *	4/2003	Kristen et al.	173/217	
					* cited by examiner

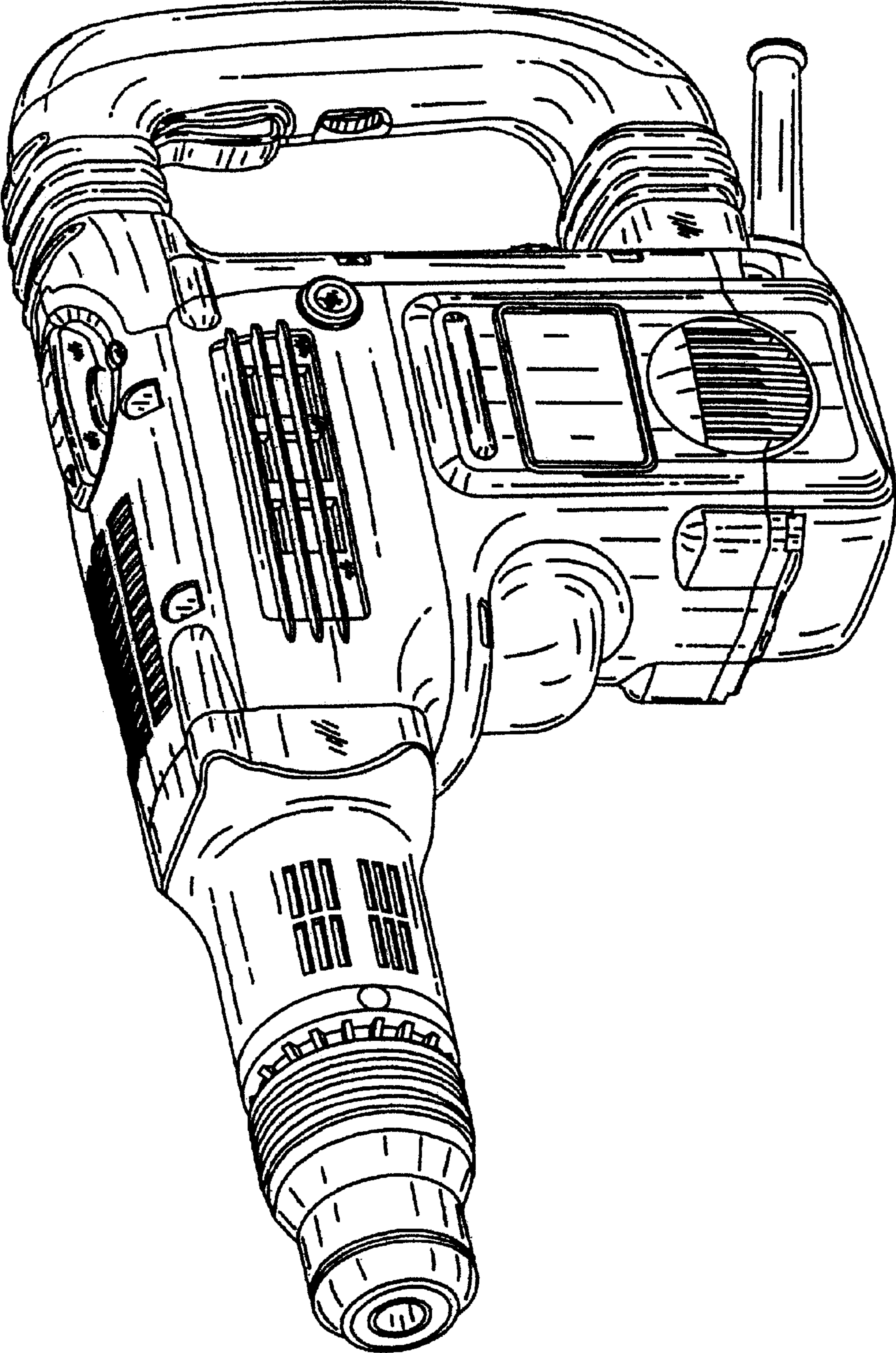


FIG.1

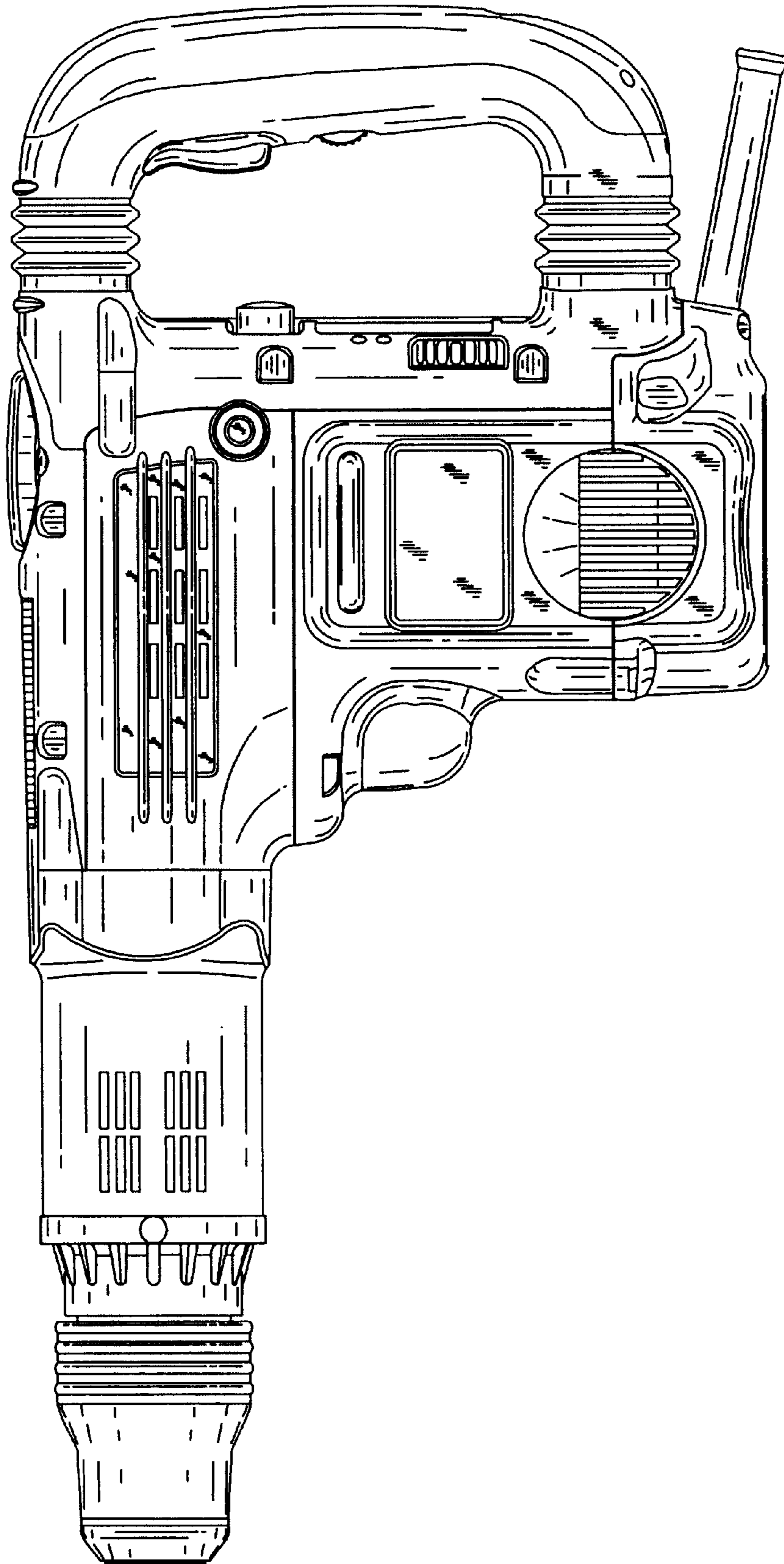


FIG.2

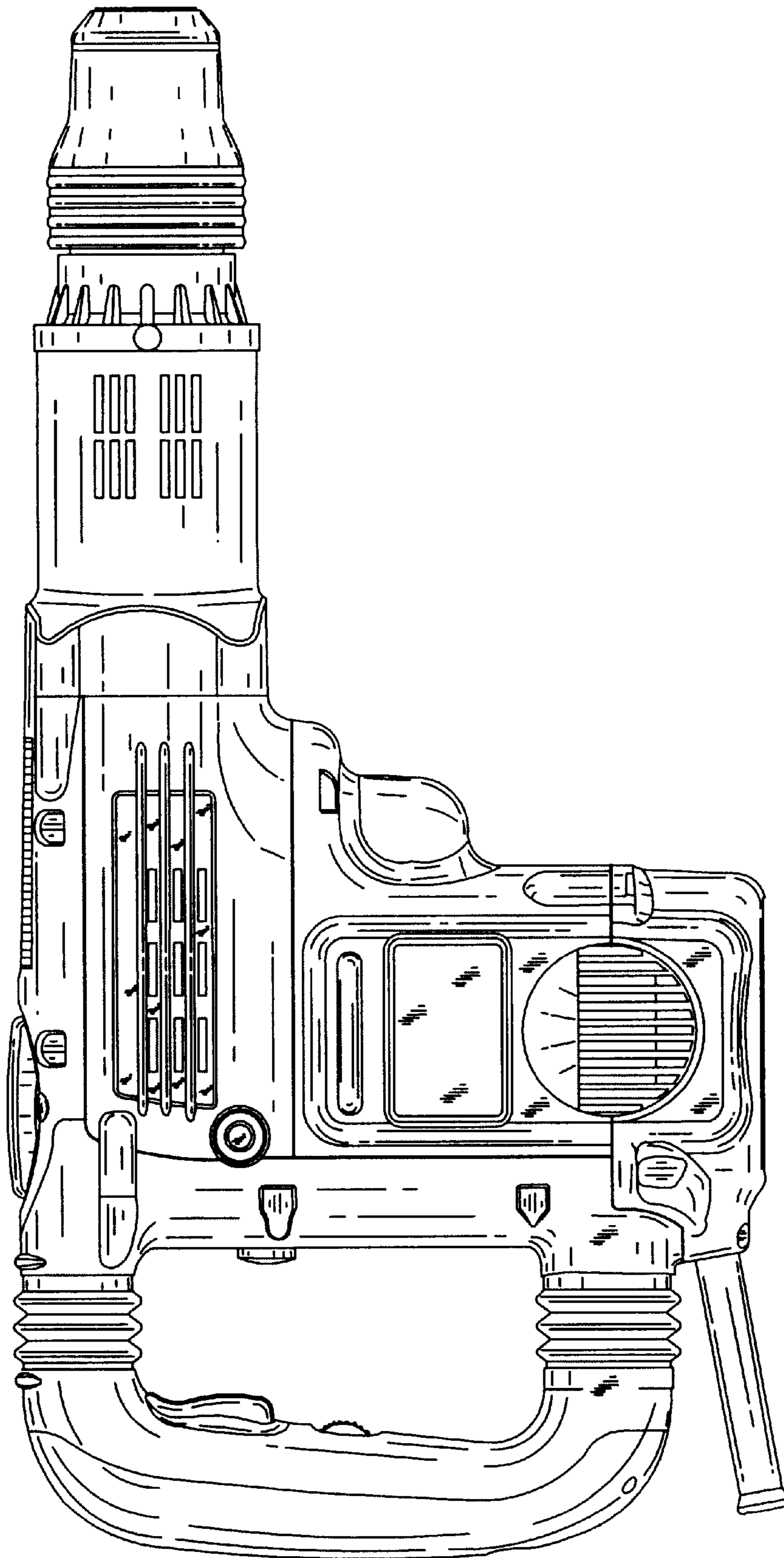


FIG.3

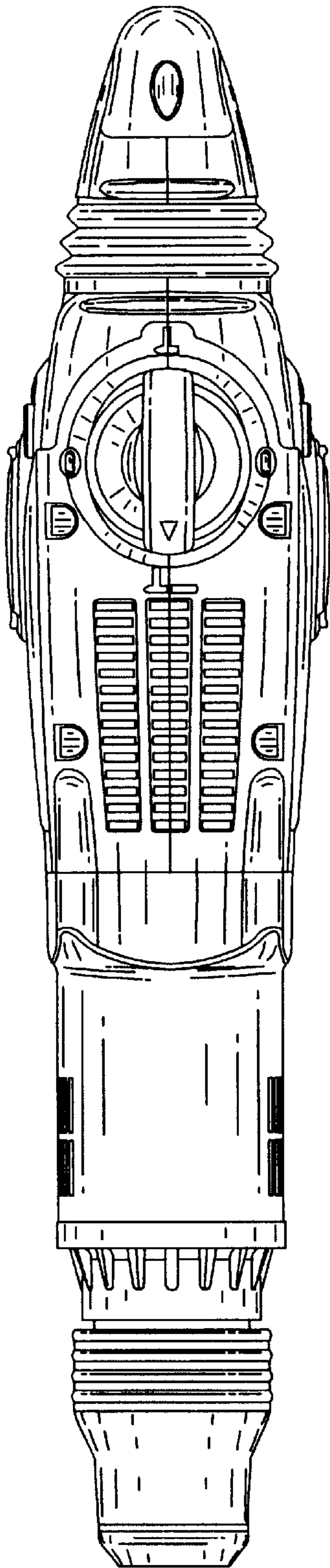


FIG.4

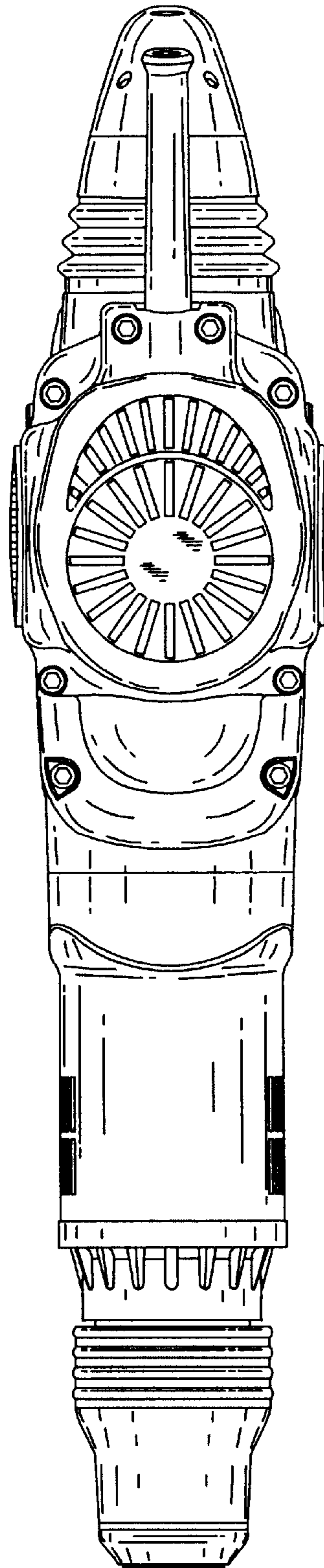


FIG.5

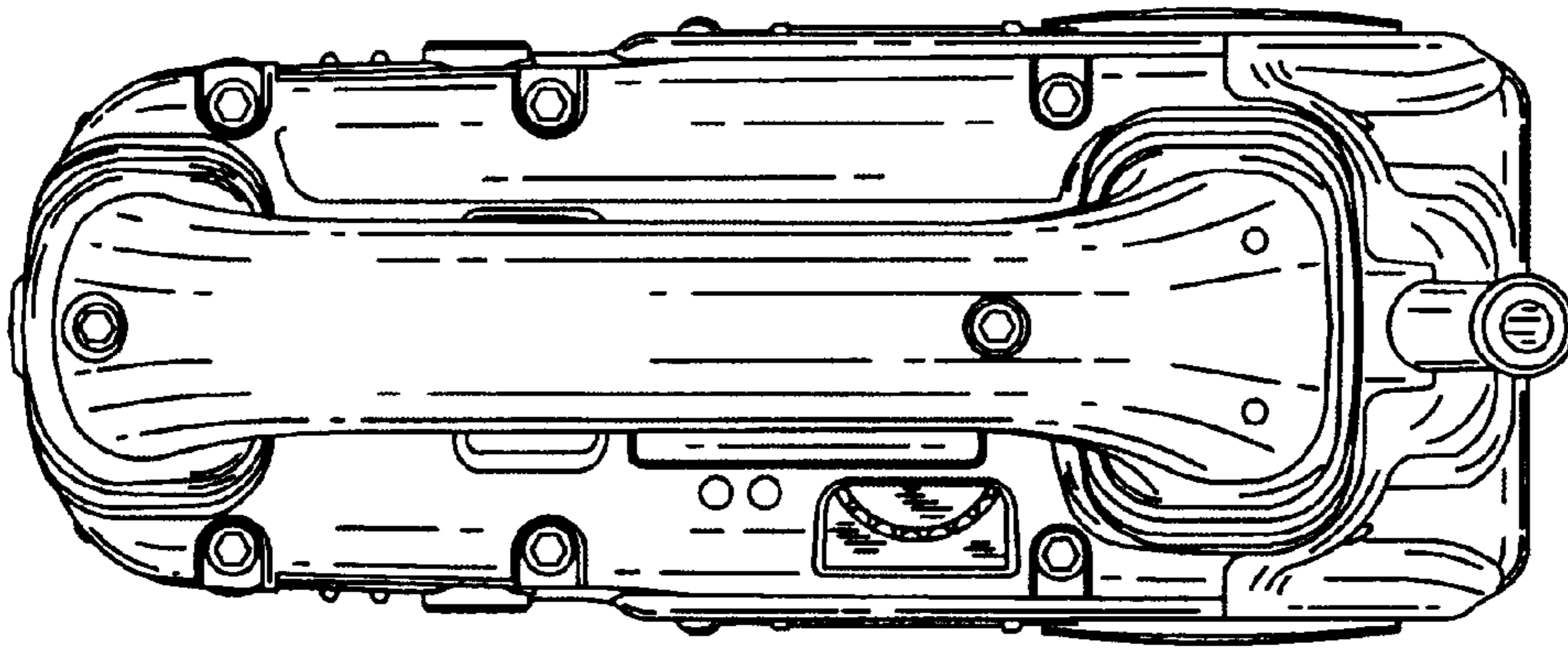


FIG. 6

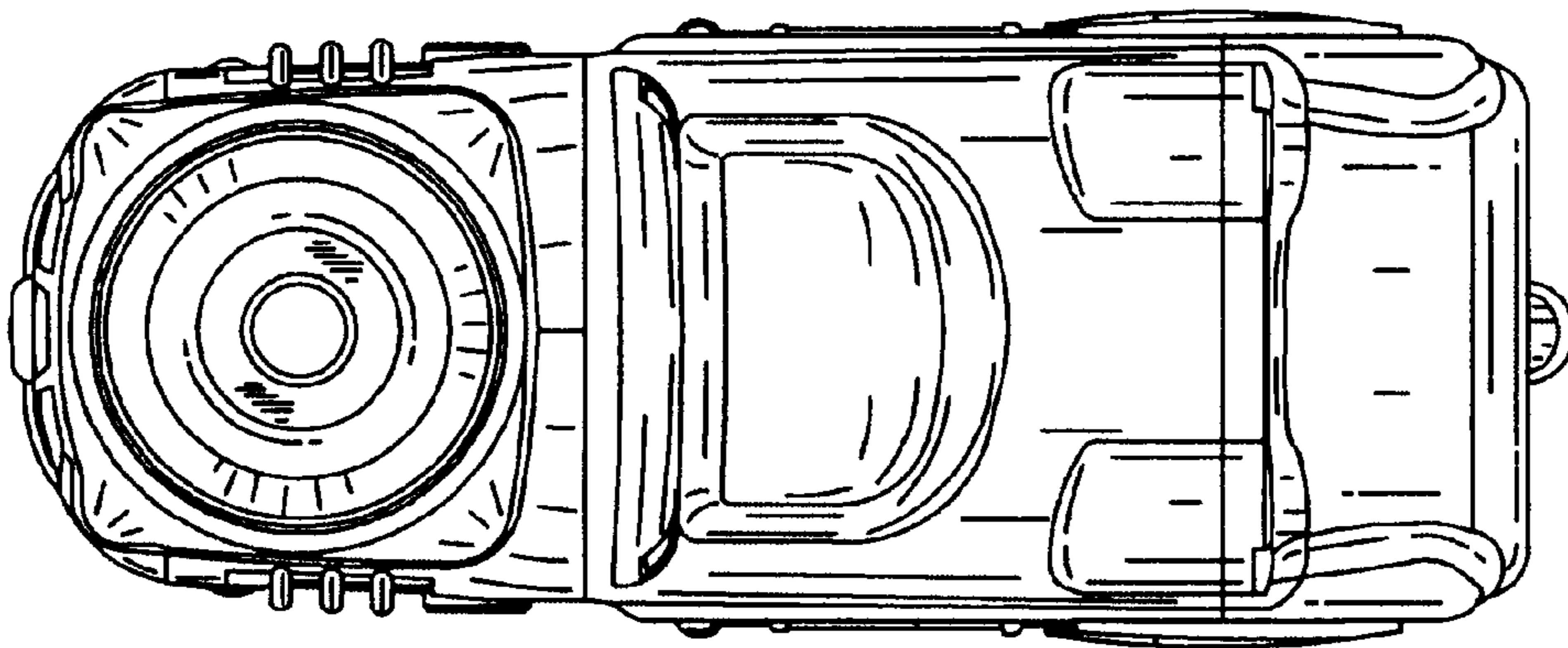


FIG. 7