

US00D540641S

(12) **United States Design Patent**
Clay

(10) **Patent No.:** **US D540,641 S**

(45) **Date of Patent:** **** Apr. 17, 2007**

(54) **IMPACT WRENCH**

(75) Inventor: **John D. Clay**, Charlotte, NC (US)

(73) Assignee: **Chicago Pneumatic Tool Company**,
Rock Hill, SC (US)

(**) Term: **14 Years**

(21) Appl. No.: **29/247,497**

(22) Filed: **Jun. 22, 2006**

(51) **LOC (8) Cl.** **08-05**

(52) **U.S. Cl.** **D8/68**

(58) **Field of Classification Search** D8/14.1,
D8/61, 62, 63, 64, 65, 66, 67, 68, 69, 70;
81/57.11, 429, 464, 465, 466, 469, 489; 173/13,
173/104, 114, 168, 169, 170, 171, 178, 201,
173/211, 213, 217; 408/20, 124, 125, 234,
408/241 R; 451/358; 310/50; 227/8, 113,
227/114, 120, 130, 136, 142

See application file for complete search history.

(56) **References Cited**

U.S. PATENT DOCUMENTS

D205,091 S	*	6/1966	Averitt	D8/68
D256,980 S	*	9/1980	Adams et al.	D8/68
D370,163 S	*	5/1996	Hurd	D8/68
D403,564 S	*	1/1999	Izumisawa	D8/68
D434,297 S	*	11/2000	Iritani et al.	D8/68
D434,958 S	*	12/2000	Izumisawa	D8/68
D436,818 S	*	1/2001	Izumisawa	D8/68
D437,760 S	*	2/2001	Izumisawa	D8/68
6,338,389 B1	*	1/2002	Chang	173/170
D458,824 S	*	6/2002	Chen	D8/68
D465,982 S	*	11/2002	Taga	D8/68

D472,782 S	*	4/2003	Pusateri et al.	D8/68
D477,512 S	*	7/2003	Liu et al.	D8/68
D496,243 S	*	9/2004	Huang	D8/68
D497,529 S	*	10/2004	Price	D8/68
D497,787 S	*	11/2004	Liao	D8/68
D519,807 S	*	5/2006	Chen	D8/68
D521,339 S	*	5/2006	Chen	D8/68
2002/0084086 A1	*	7/2002	Taga	173/104
2002/0152848 A1	*	10/2002	Johnson	81/465

FOREIGN PATENT DOCUMENTS

GB 2094515 S * 12/1999

* cited by examiner

Primary Examiner—T. Chase Nelson

(74) *Attorney, Agent, or Firm*—Schmeiser, Olson & Watts

(57) **CLAIM**

The ornamental design for an impact wrench, as shown and described.

DESCRIPTION

FIG. 1 is a left side perspective view showing our design for an impact wrench;

FIG. 2 is a back right side perspective view thereof;

FIG. 3 is a left side view, which is a mirror image of the right side view thereof;

FIG. 4 is a top view thereof;

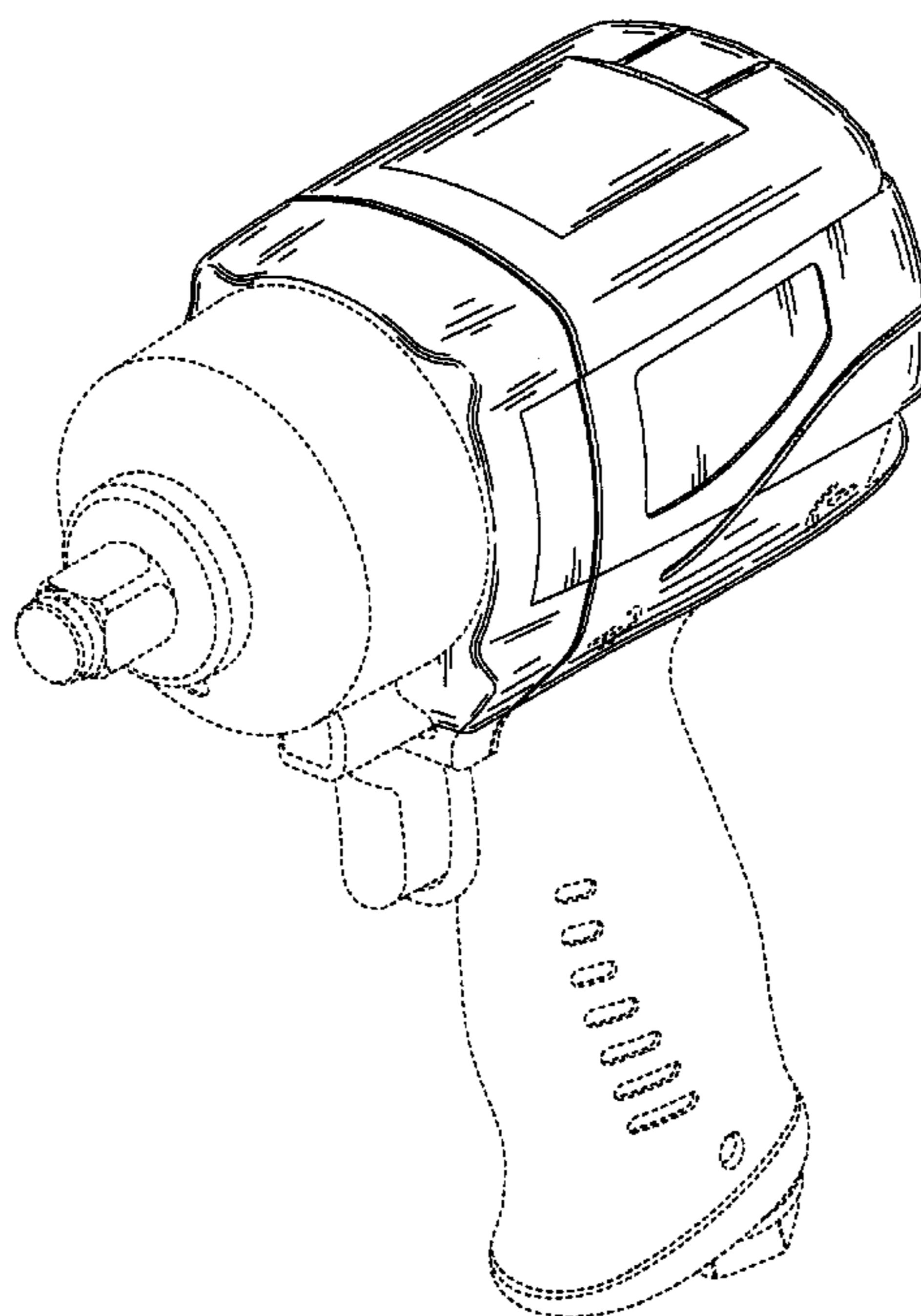
FIG. 5 is a rear view thereof;

FIG. 6 is a front view thereof; and,

FIG. 7 is a bottom view.

The broken line showing of portions of the impact wrench is for illustrative purposes only and forms no part of the claimed design.

1 Claim, 7 Drawing Sheets



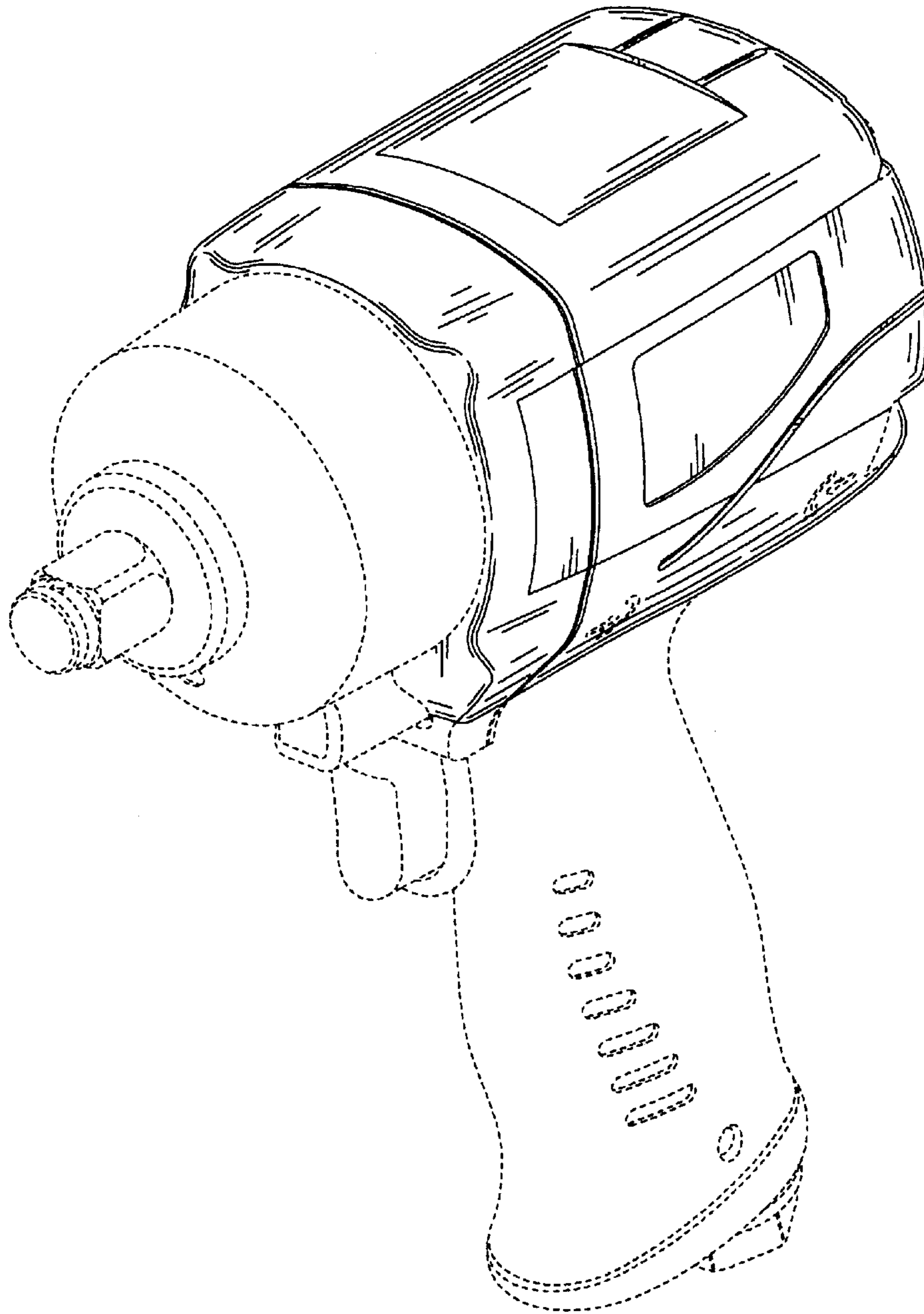


FIG. 1

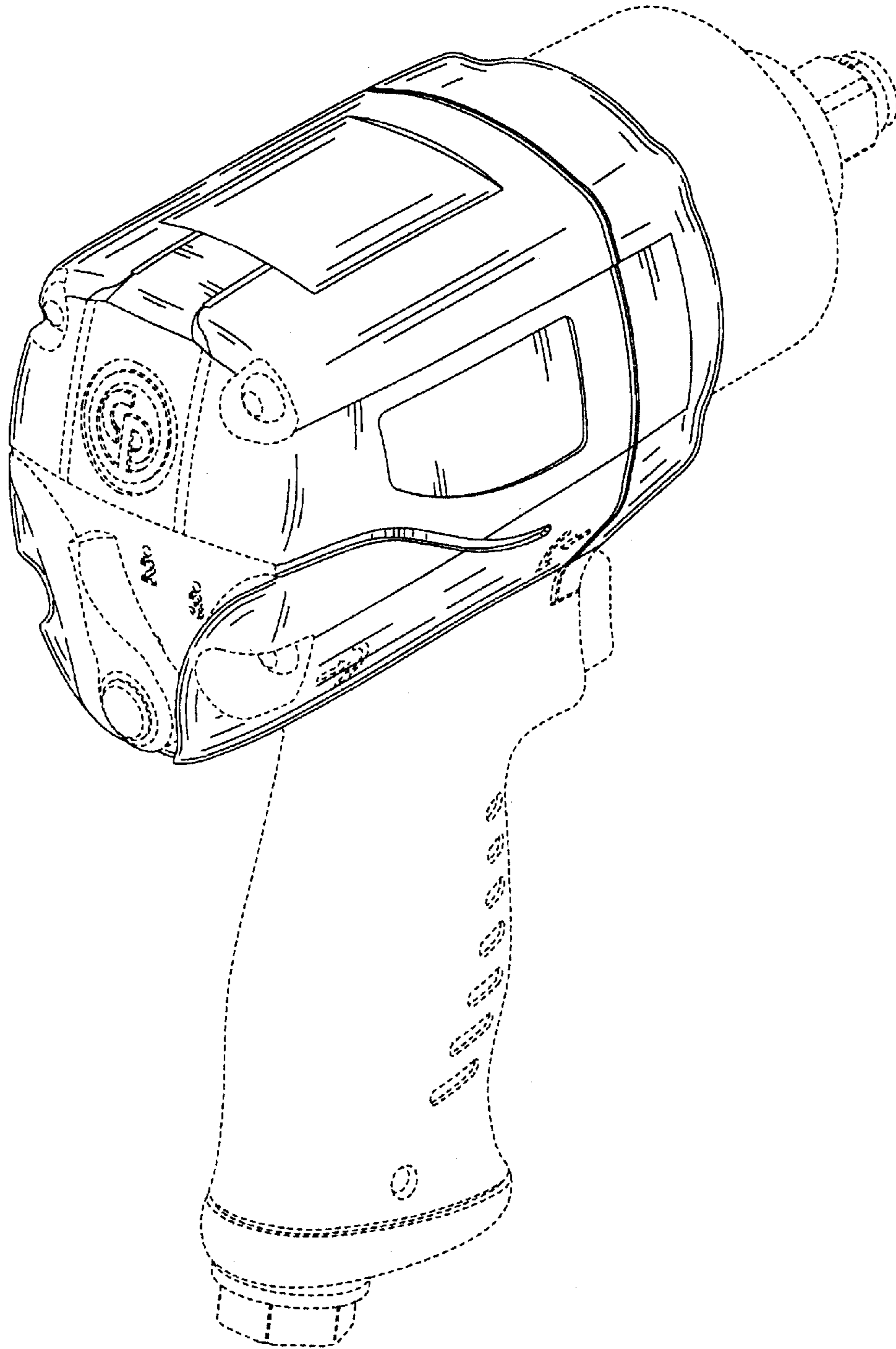


FIG. 2

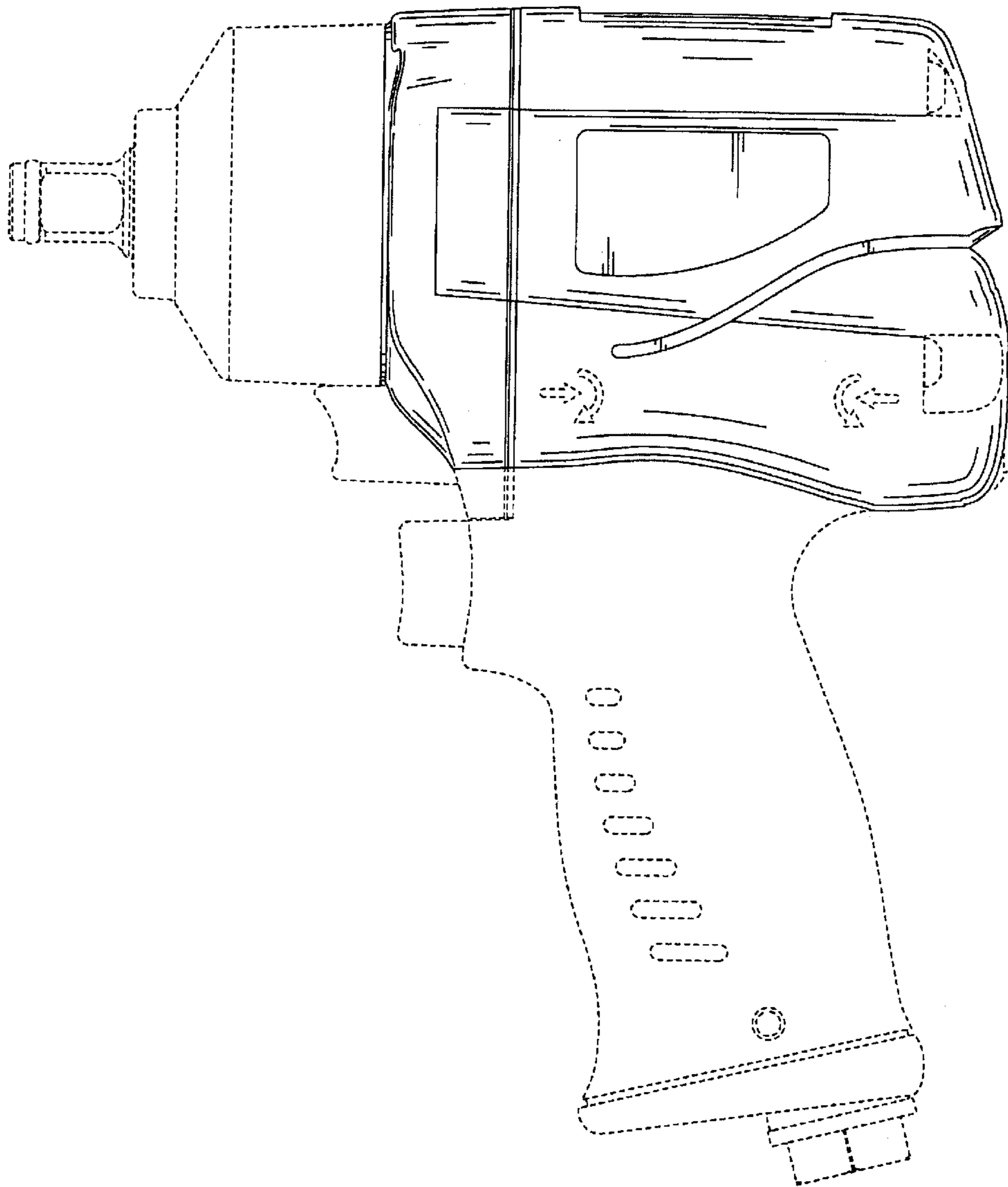


FIG. 3

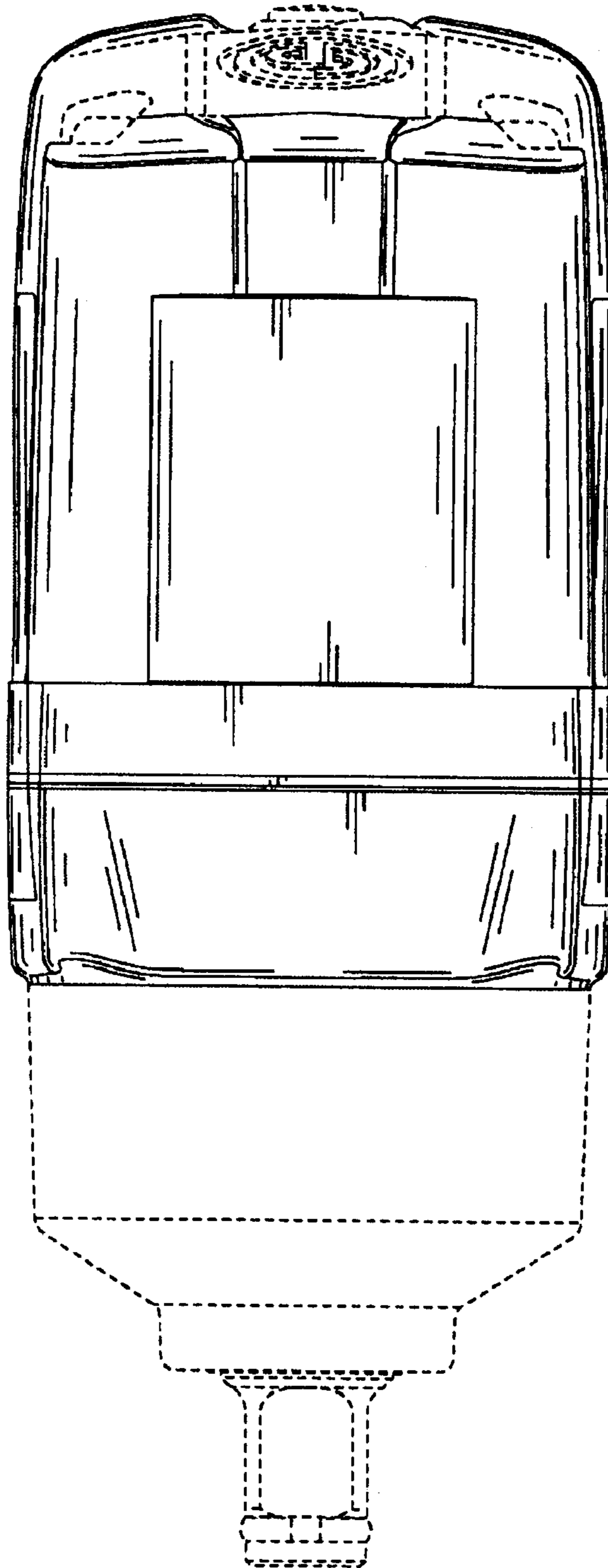


FIG. 4

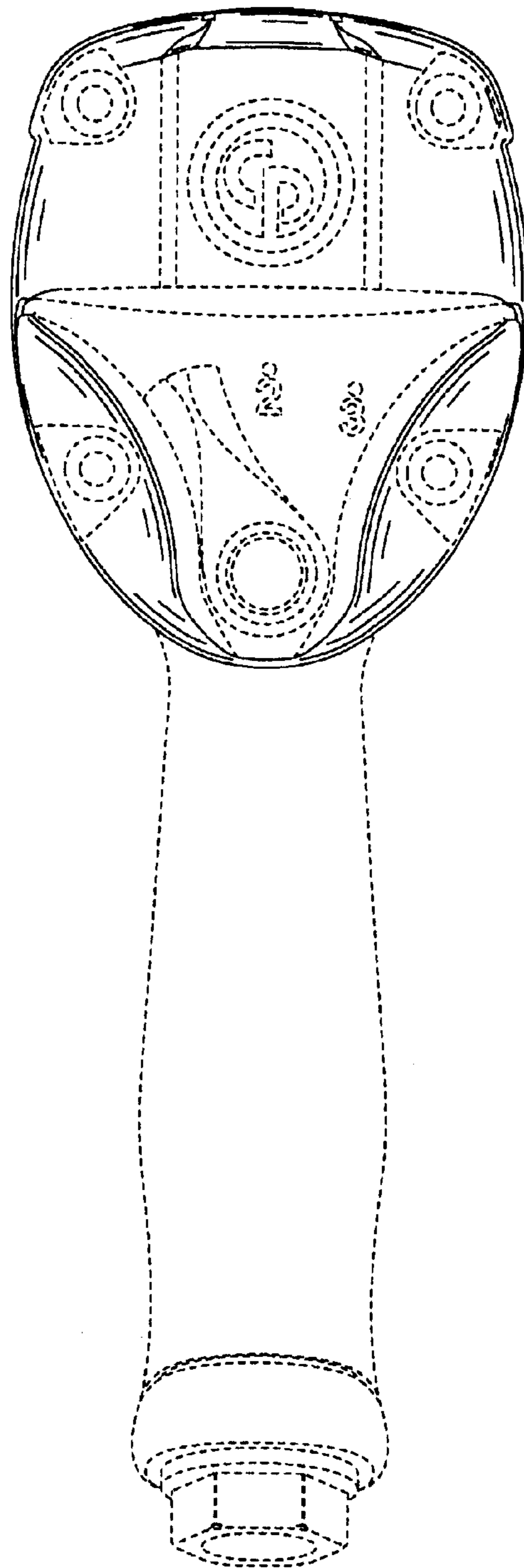


FIG. 5

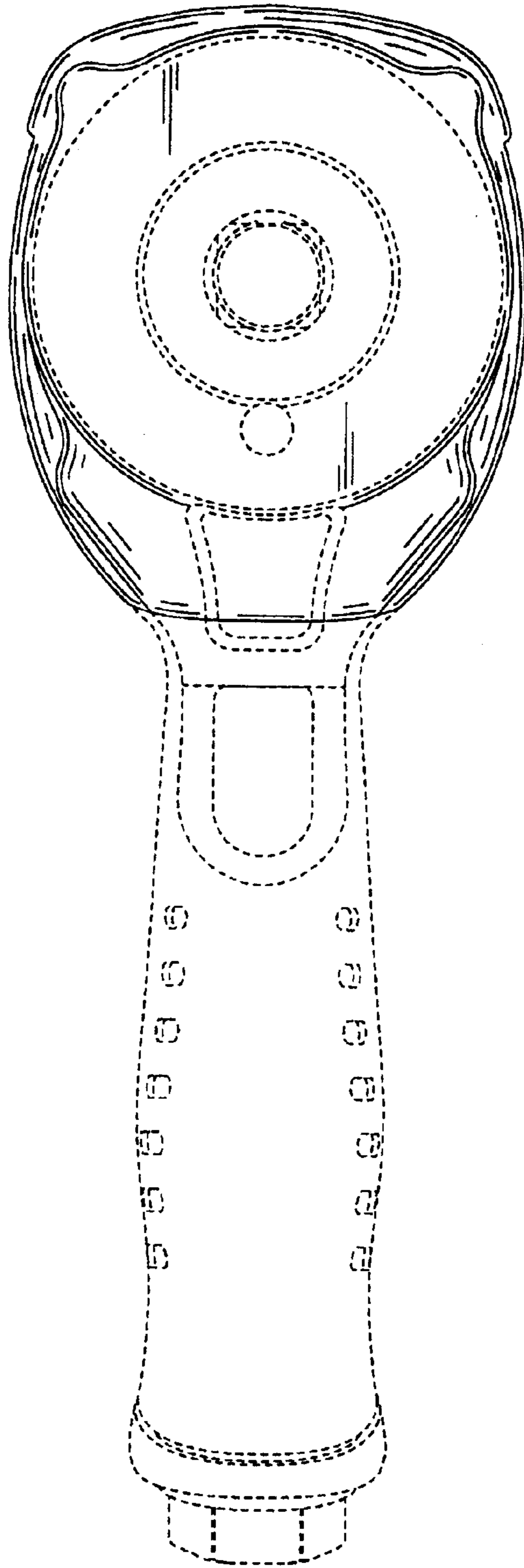


FIG. 6

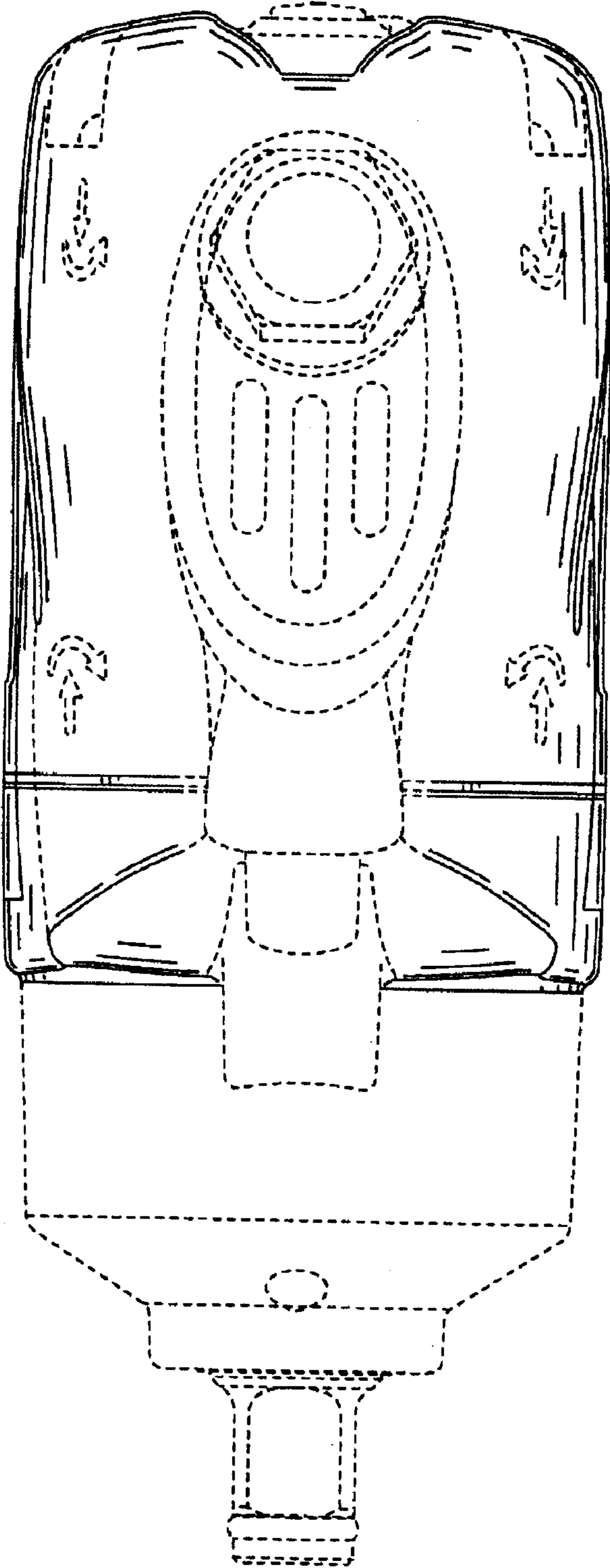


FIG. 7