



US00D540638S

(12) **United States Design Patent**  
**Concari**

(10) **Patent No.:** **US D540,638 S**

(45) **Date of Patent:** **\*\* Apr. 17, 2007**

(54) **ANGLE GRINDER**

(75) Inventor: **Gabriel Concari**, Eldersburg, MD (US)

(73) Assignee: **Black & Decker Inc.**, Newark, DE (US)

(\*\*) Term: **14 Years**

(21) Appl. No.: **29/261,096**

(22) Filed: **Jun. 7, 2006**

(51) **LOC (8) Cl.** ..... **08-01**

(52) **U.S. Cl.** ..... **D8/62**

(58) **Field of Classification Search** ..... D8/69,  
D8/67, 62, 61; 173/168; 451/294, 344, 351,  
451/359, 358, 357, 356, 354, 353  
See application file for complete search history.

(56) **References Cited**

**U.S. PATENT DOCUMENTS**

D305,399 S	*	1/1990	Fushiya et al.	.....	D8/62
D347,153 S	*	5/1994	Uneyama	.....	D8/62
D393,402 S		4/1998	Kikuchi et al.		
D421,558 S		3/2000	Shigo et al.		
D468,179 S	*	1/2003	Hayakawa et al.	.....	D8/62
D479,452 S		9/2003	Cho		
D482,943 S		12/2003	Chunn et al.		
6,716,095 B1	*	4/2004	Hsu et al.	.....	451/358
D497,296 S	*	10/2004	Krondorfer et al.	.....	D8/62
D506,662 S	*	6/2005	Watson	.....	D8/62
D527,966 S	*	9/2006	Hayakawa et al.	.....	D8/62

**FOREIGN PATENT DOCUMENTS**

DE M 9506846 9/1995

DE	M 97 00 123	1/1997
DE	M 97 07 886	8/1997
DE	MR 98 00 714	1/1998
DE	49908004	8/1999
DE	MR 400 06 303	2/2000
DE	MR 402 00 071	7/2001
EM	00124854-0001	4/2004
EM	000462866-0001	2/2006

\* cited by examiner

*Primary Examiner*—Cathron C. Brooks

*Assistant Examiner*—Austin Murphy

(74) *Attorney, Agent, or Firm*—Mehul R. Jani; Adan Ayala; Charles Yocum

(57) **CLAIM**

The ornamental design for an angle grinder, as shown and described.

**DESCRIPTION**

FIG. 1 is a perspective view of an angle grinder showing the new design.

FIG. 2 is a front view thereof.

FIG. 3 is a rear view thereof.

FIG. 4 is a right side view thereof.

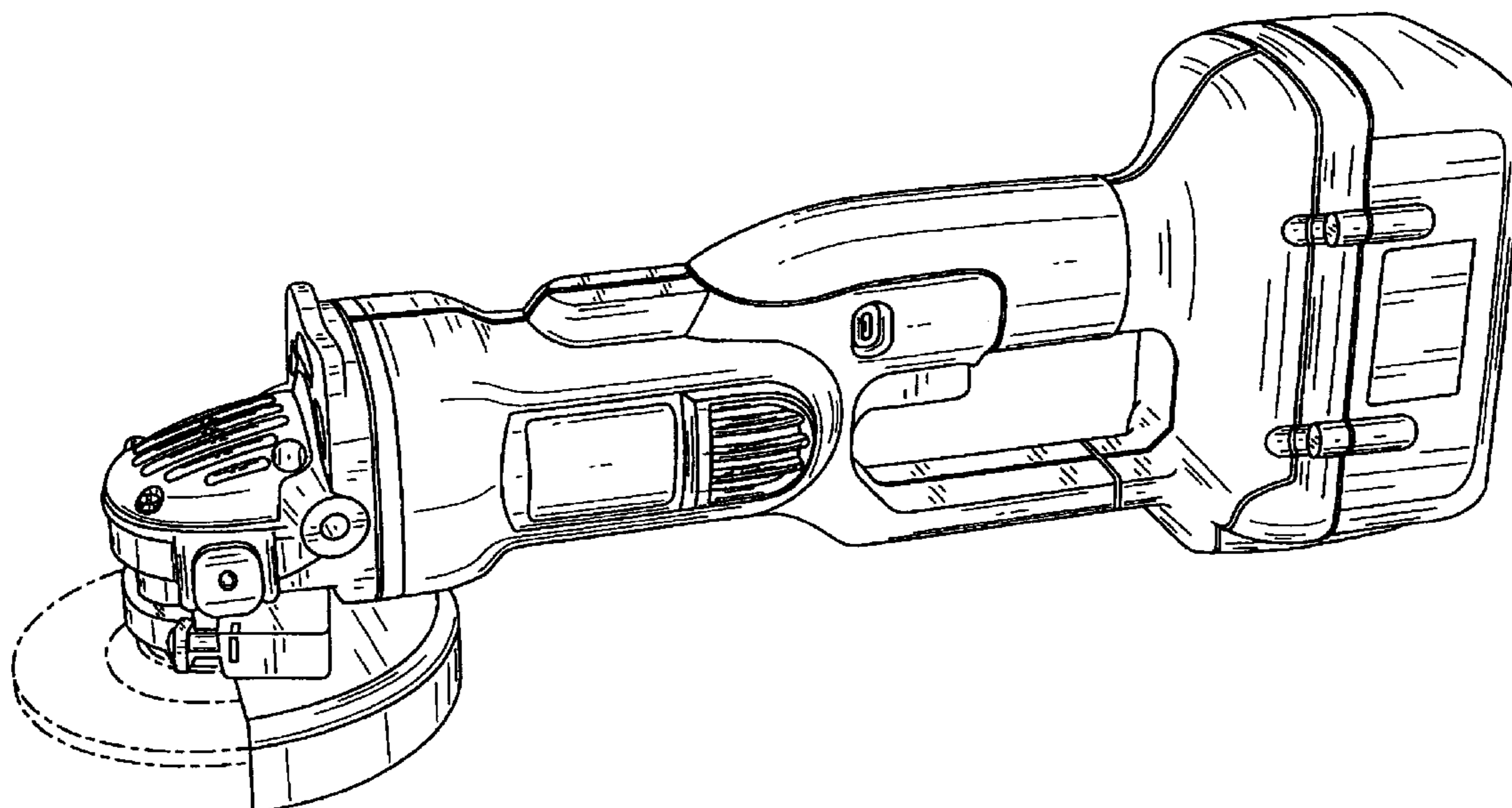
FIG. 5 is a left side view thereof.

FIG. 6 is a top plan view thereof; and,

FIG. 7 is a bottom plan view thereof.

The broken lines shown in the drawings form no part of the claimed design.

**1 Claim, 6 Drawing Sheets**



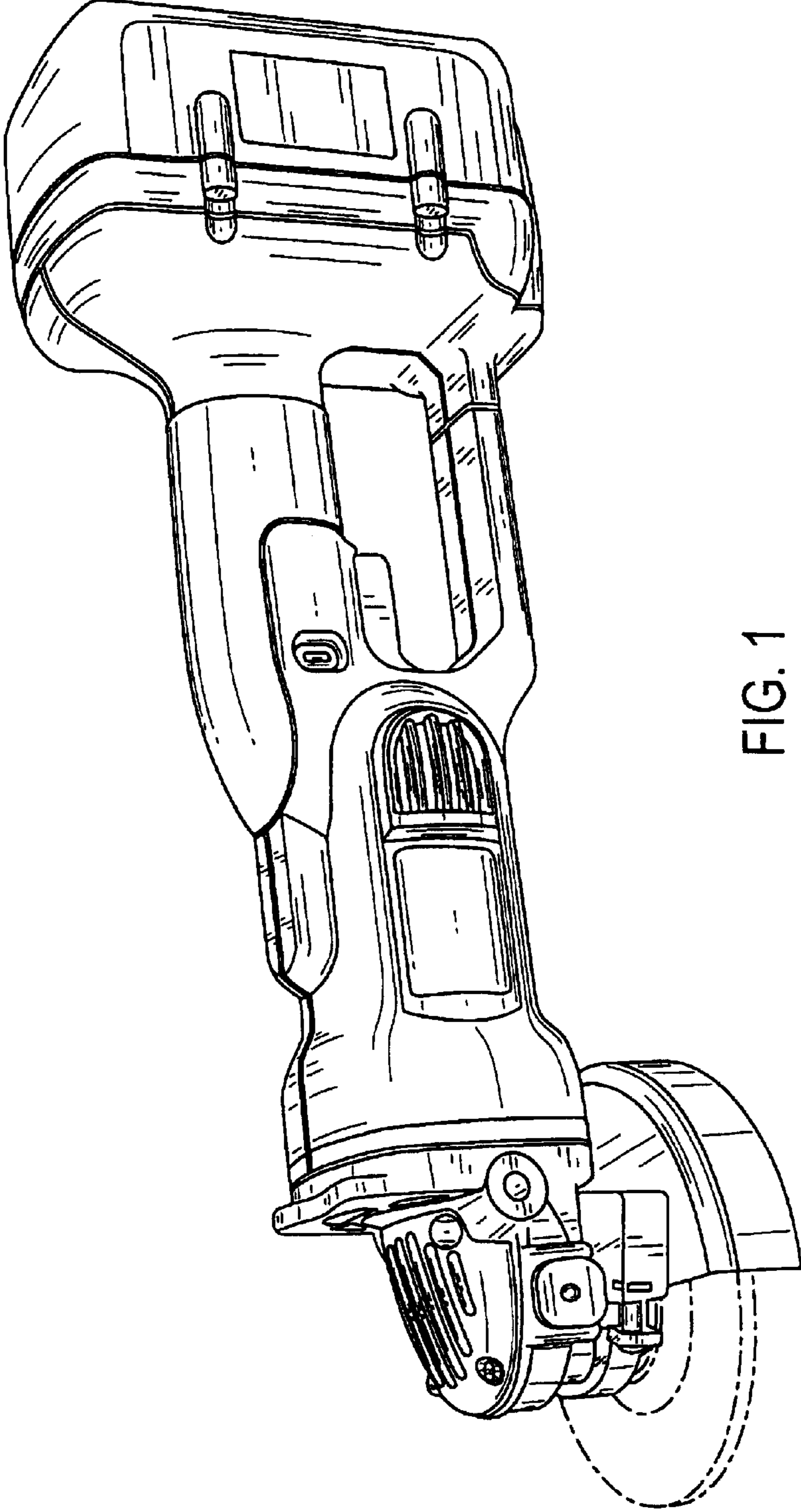


FIG. 1

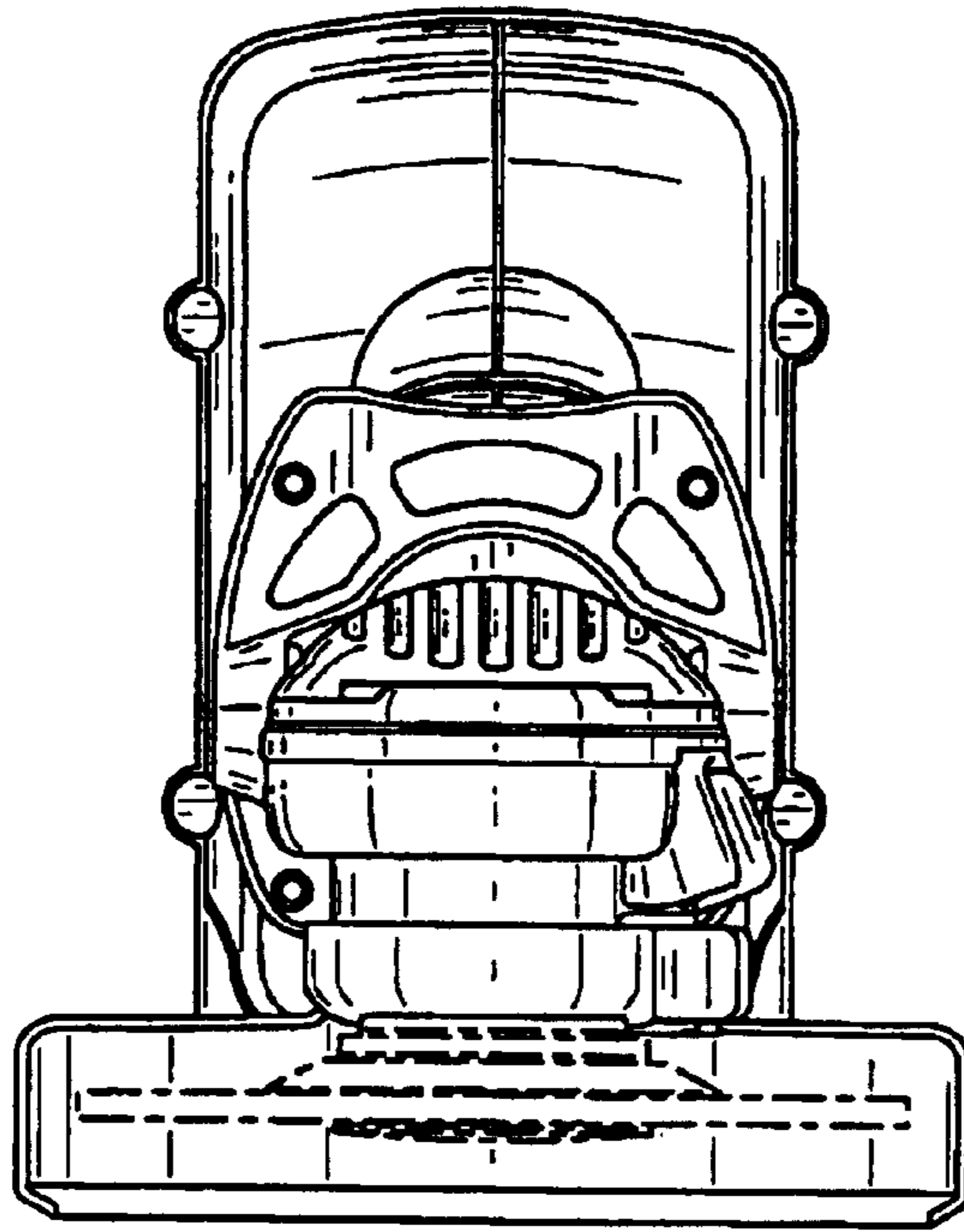


FIG. 2

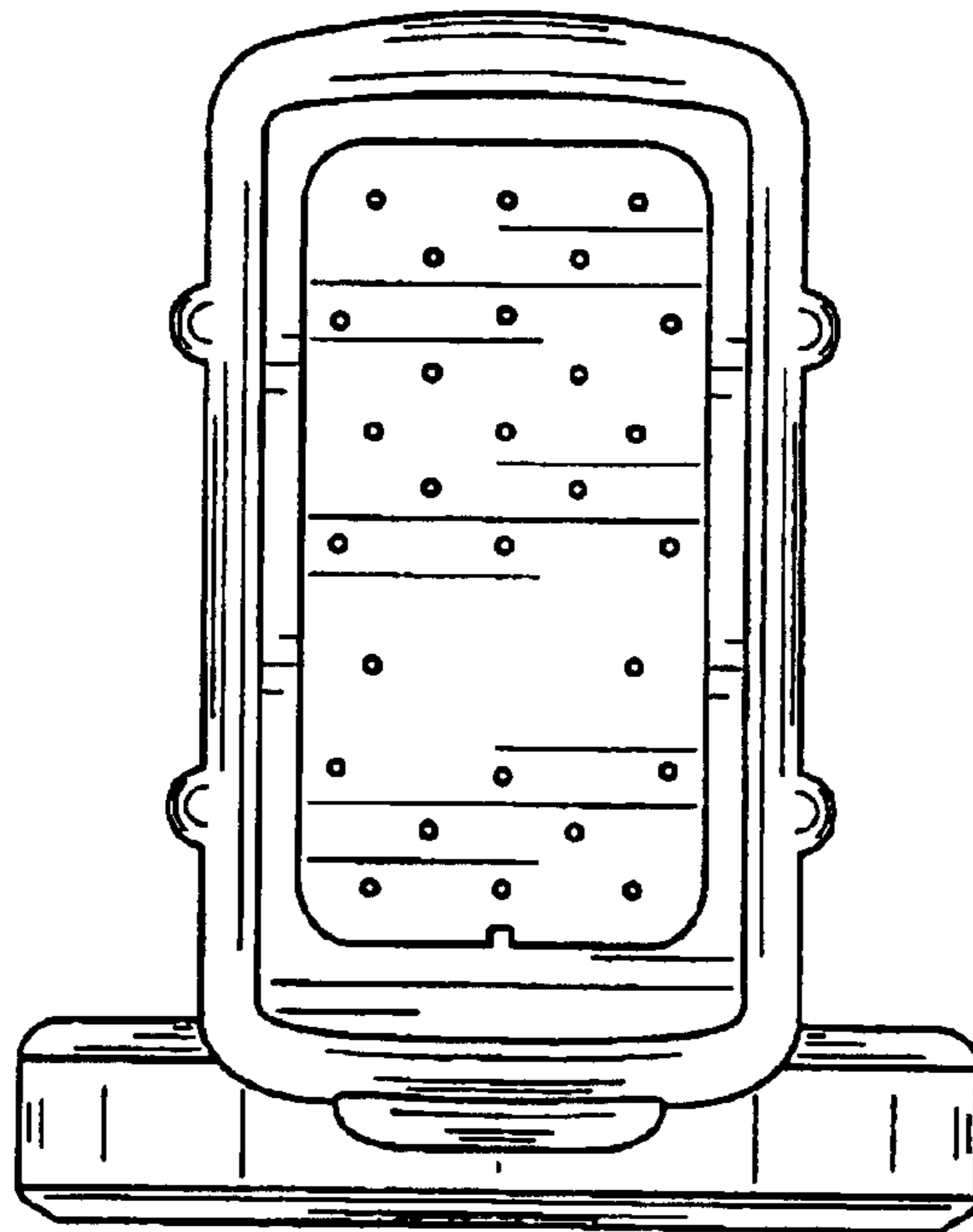


FIG. 3

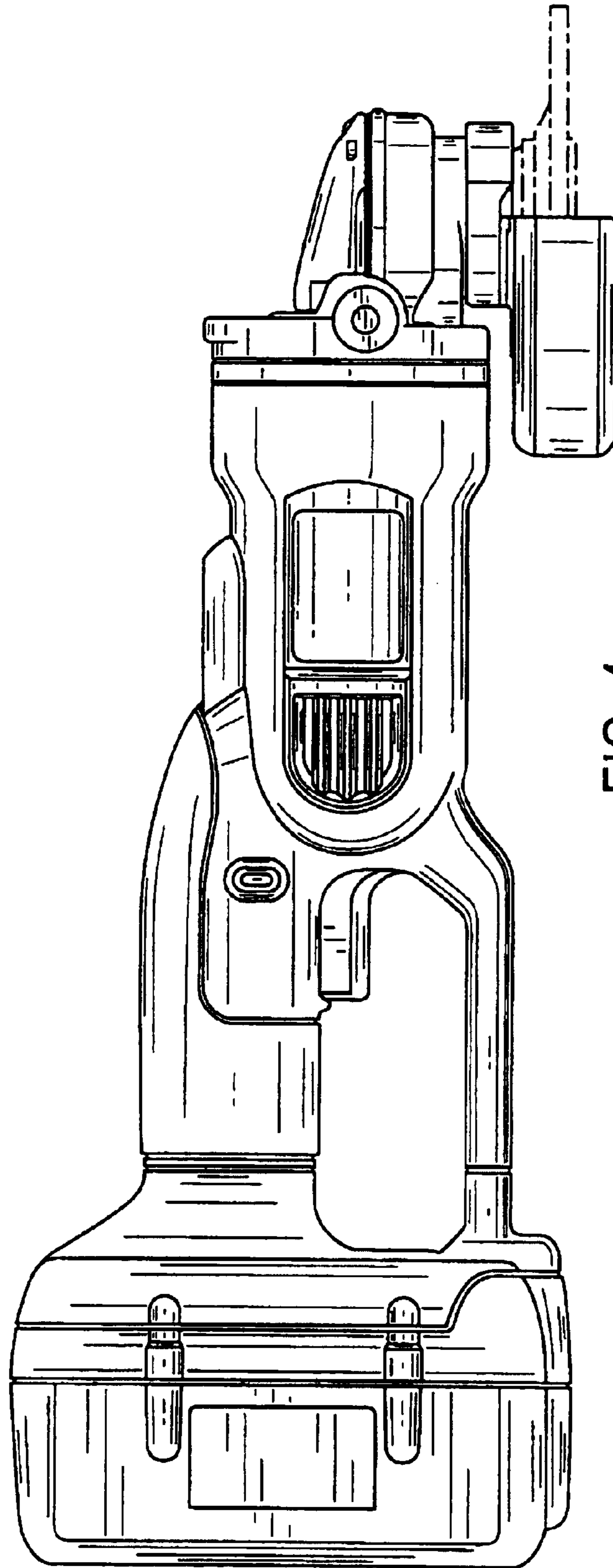


FIG. 4

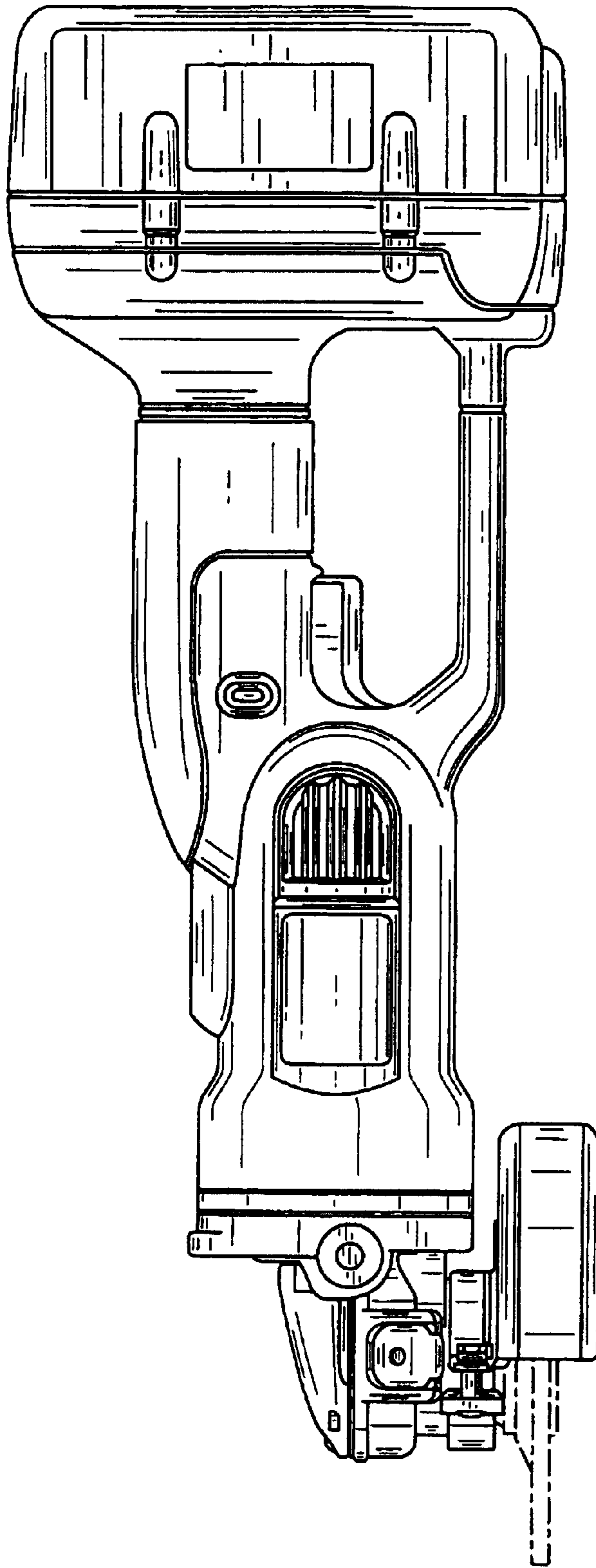


FIG. 5

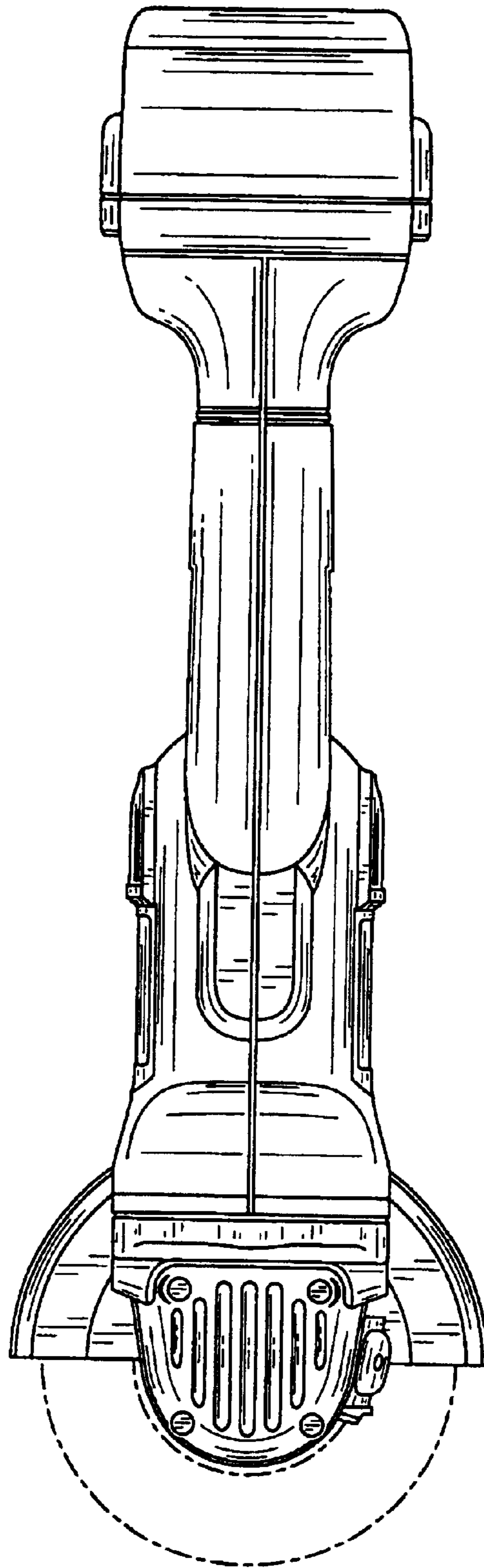


FIG. 6

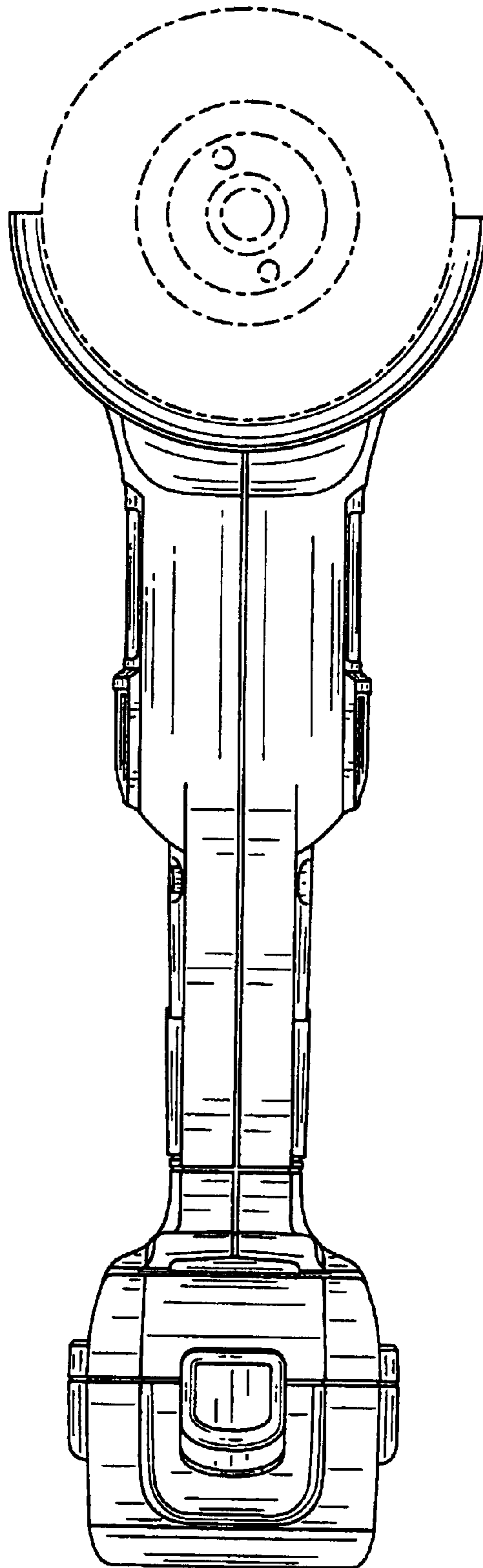


FIG. 7