

US00D540636S

(12) **United States Design Patent**
Donner et al.

(10) **Patent No.:** **US D540,636 S**

(45) **Date of Patent:** **** Apr. 17, 2007**

(54) **DRYWALL JOINT COMPOUND APPLICATOR**

(76) Inventors: **Zachary T. Donner**, PO Box 420, Clara City, MN (US) 56222; **Mick Donner**, PO Box 420, Clara City, MN (US) 56222

(**) **Term:** **14 Years**

(21) **Appl. No.:** **29/213,010**

(22) **Filed:** **Sep. 13, 2004**

(51) **LOC (8) Cl.** **08-03**

(52) **U.S. Cl.** **D8/61**

(58) **Field of Classification Search** D8/61, D8/80, 51; 401/48, 187, 205, 270, 41-43, 401/146, 188 R, 266; 222/175, 389, 66, 608; 15/97.1; 156/71, 578, 579; 417/44.1; 425/87
See application file for complete search history.

| | | | |
|-------------------|---------|----------------|---------|
| 5,759,343 A | 6/1998 | Roberts | |
| 5,882,691 A * | 3/1999 | Conboy | 425/87 |
| 5,902,451 A | 5/1999 | O'Mara et al. | |
| 5,924,598 A | 7/1999 | Bradshaw | |
| D438,770 S | 3/2001 | Wagner | |
| 6,294,034 B1 * | 9/2001 | O'Mara et al. | 156/71 |
| 6,419,773 B1 | 7/2002 | Lauermann | |
| 6,523,209 B1 * | 2/2003 | Dickerson | 15/97.1 |
| 6,540,856 B2 | 4/2003 | O'Mara et al. | |
| 6,793,428 B2 * | 9/2004 | Lithgow | 401/48 |
| 2001/0003563 A1 * | 6/2001 | Schauer et al. | 401/5 |
| 2004/0161283 A1 * | 8/2004 | Lithgow | 401/48 |
| 2004/0197129 A1 * | 10/2004 | Kugler et al. | 401/48 |

* cited by examiner

Primary Examiner—Caron D. Veynar
Assistant Examiner—Kelley A. Donnelly

(57) **CLAIM**

The ornamental design for a drywall joint compound applicator, as shown and described.

DESCRIPTION

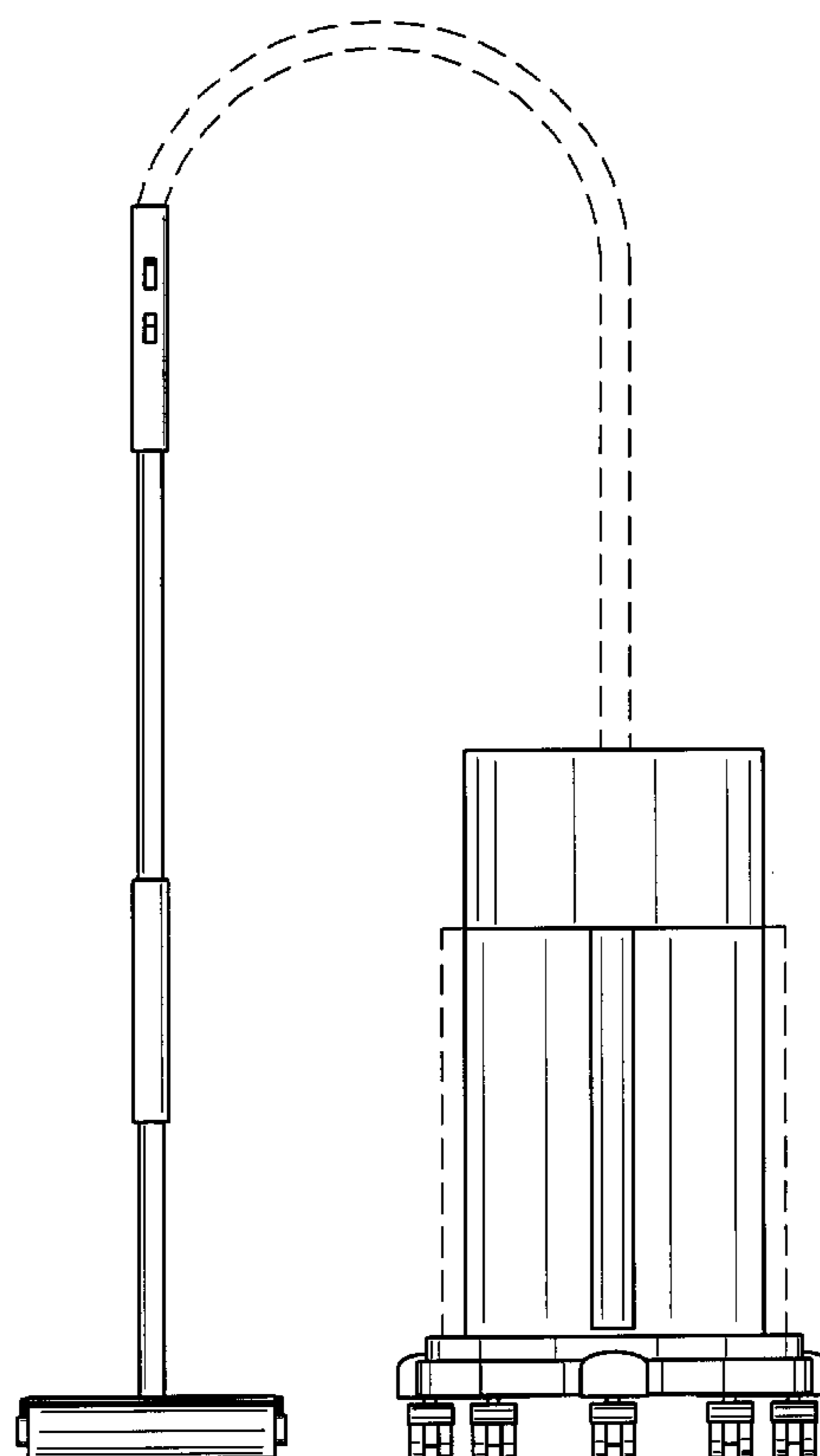
FIG. 1 is a front elevational view of a drywall joint compound applicator showing my new design; FIG. 2 is a rear elevational view thereof; FIG. 3 is a right side elevational view thereof; and, FIG. 4 is a top plan view thereof. The broken lines shown in FIGS. 1-4 are for illustrative purposes only and forms no part of the claimed design.

(56) **References Cited**

U.S. PATENT DOCUMENTS

| | | | |
|---------------|---------|----------------|-----------|
| 753,125 A * | 2/1904 | Cooper | 401/287 |
| 2,677,839 A * | 5/1954 | Dean | 401/197 |
| 3,879,140 A * | 4/1975 | Ritter | 401/188 R |
| 4,588,318 A * | 5/1986 | O'Brien et al. | 401/146 |
| 4,639,156 A * | 1/1987 | Stern et al. | 401/146 |
| 5,139,357 A * | 8/1992 | Reents | 401/146 |
| 5,230,608 A | 7/1993 | Januska | |
| 5,271,682 A * | 12/1993 | Realdon | 401/37 |
| 5,454,656 A * | 10/1995 | Rowe | 401/146 |

1 Claim, 4 Drawing Sheets



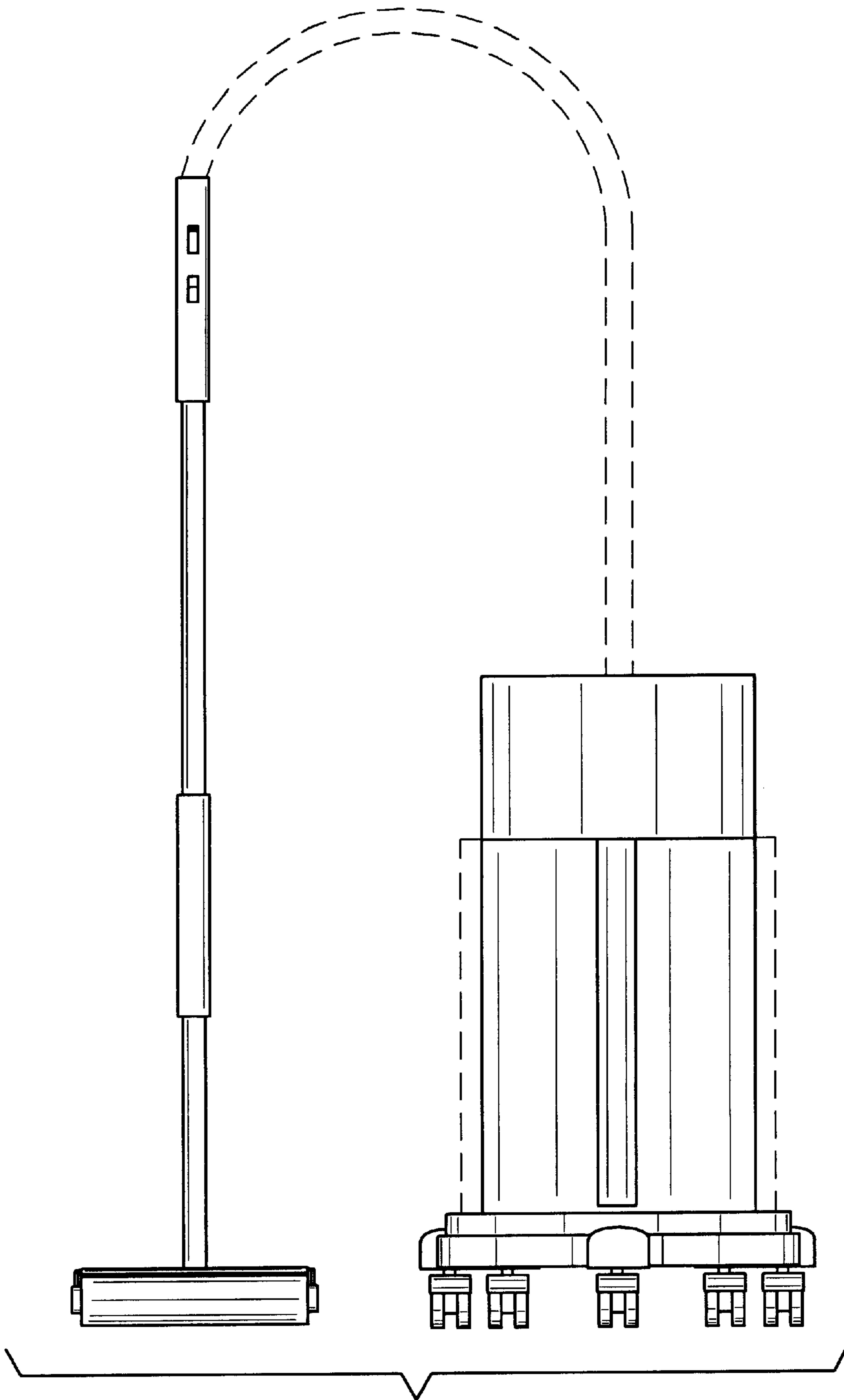


FIG. 1

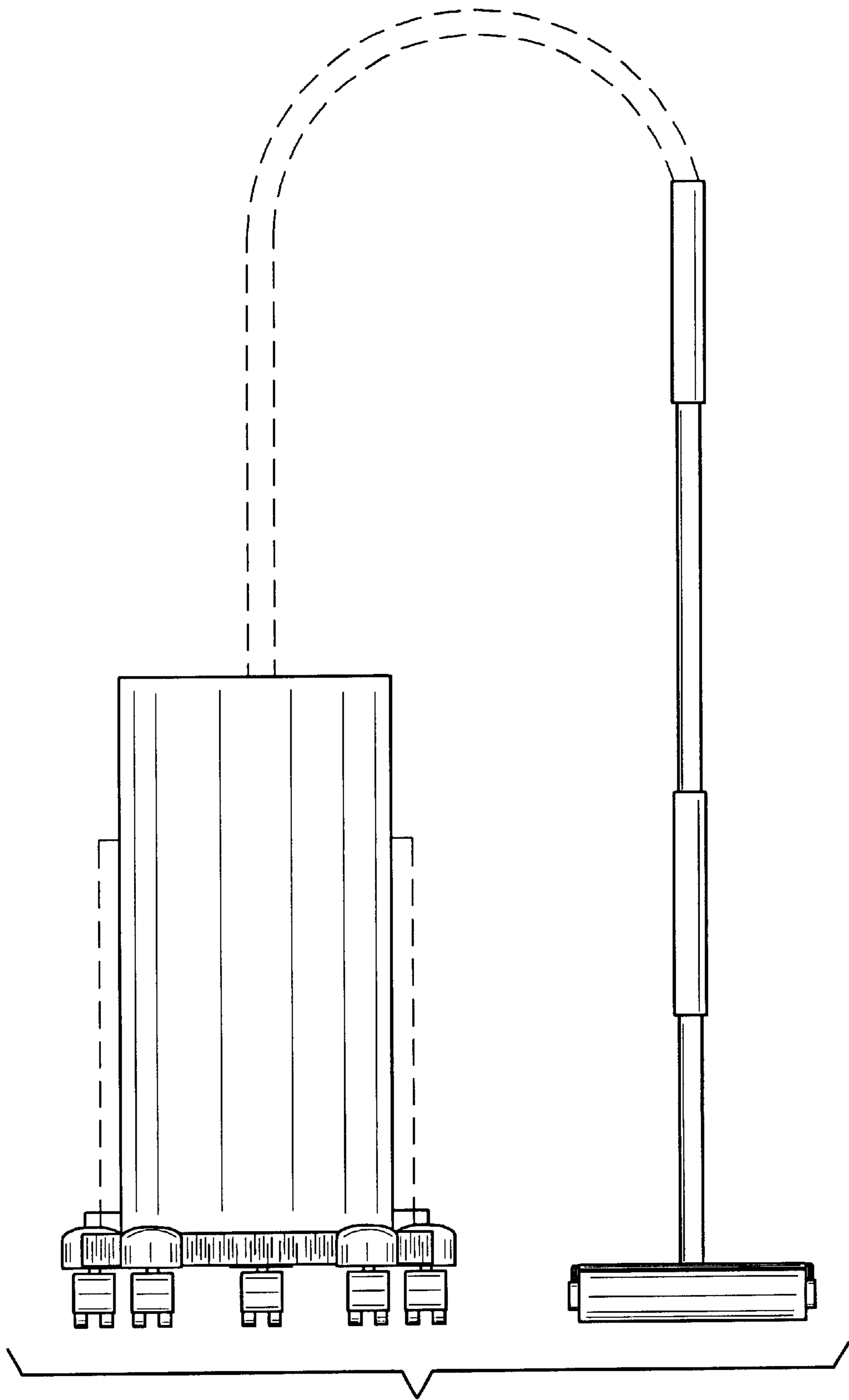


FIG. 2

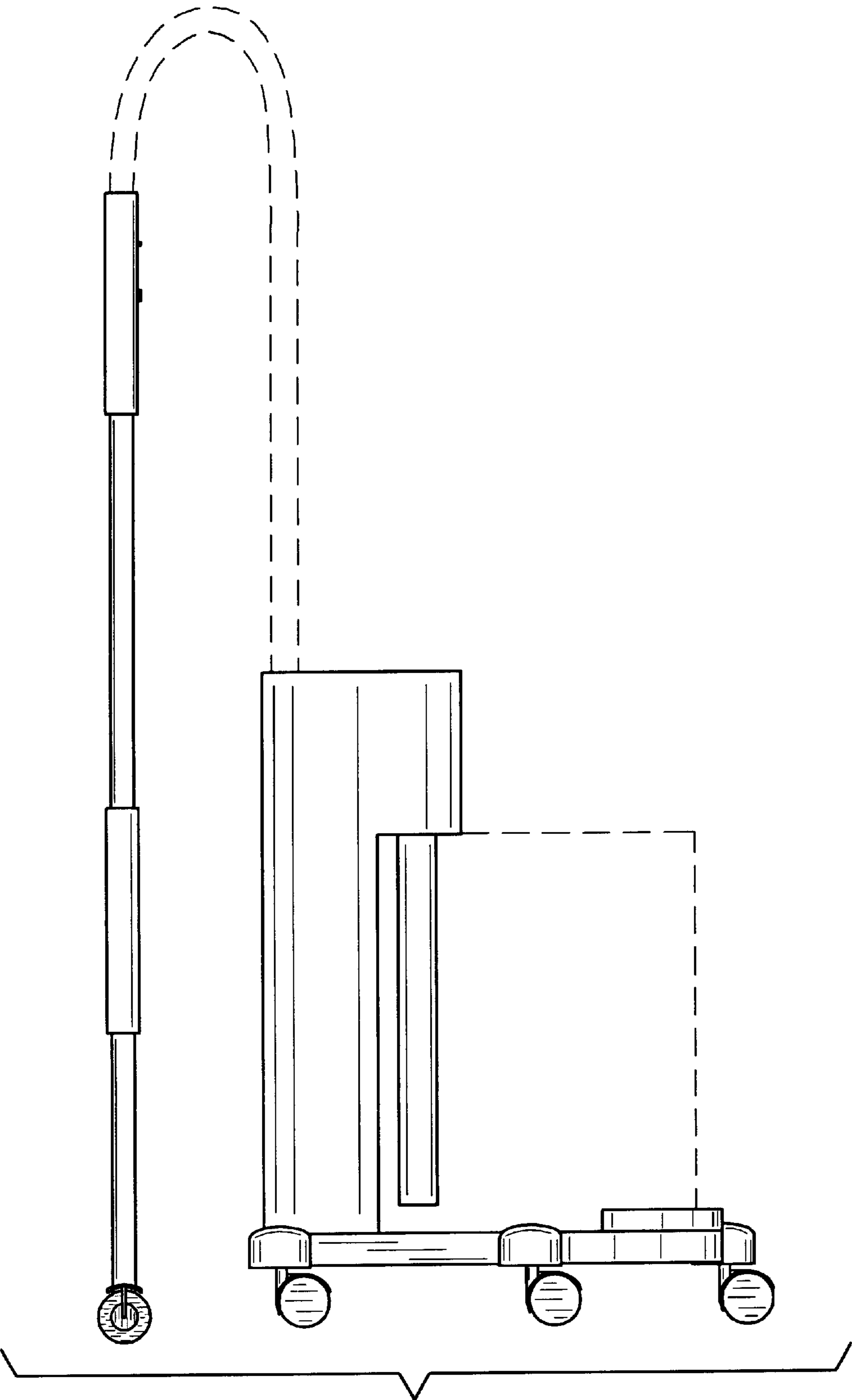


FIG. 3

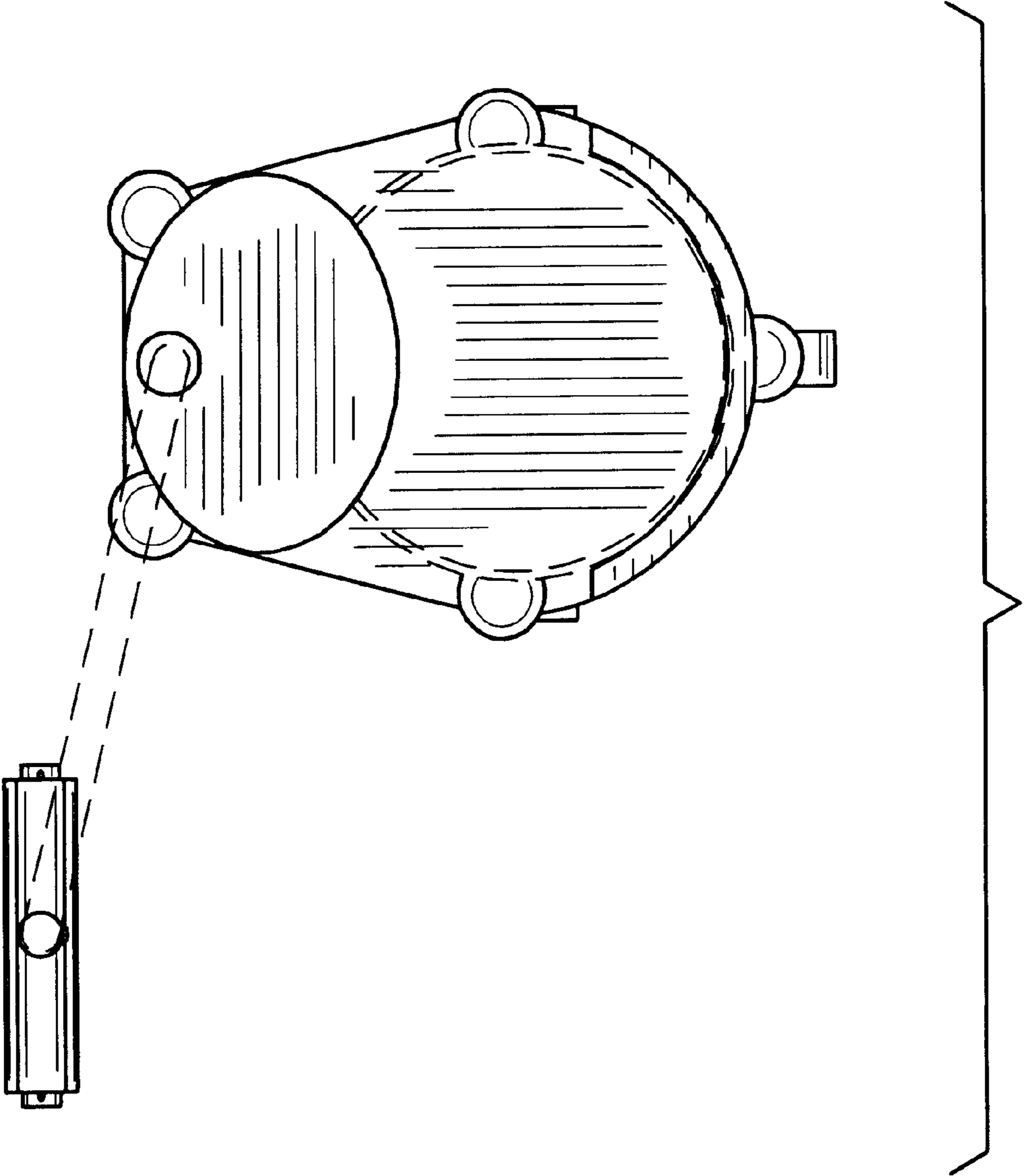


FIG. 4