



US00D540635S

(12) **United States Design Patent**  
**Albertson et al.**

(10) **Patent No.:** **US D540,635 S**

(45) **Date of Patent:** **\*\* Apr. 17, 2007**

(54) **SOCKET DRIVE ASSEMBLY**

(76) Inventors: **Robert V. Albertson**, S. 2210 Highway  
35, Alma, WI (US) 54610; **David V.**  
**Albertson**, 4701 W. Branch Rd.,  
Mound, MN (US) 55364

(\*\*) Term: **14 Years**

(21) Appl. No.: **29/260,635**

(22) Filed: **May 31, 2006**

**Related U.S. Application Data**

(62) Division of application No. 29/193,897, filed on Nov. 17,  
2003, now Pat. No. Des. 521,824.

(51) **LOC (8) Cl.** ..... **08-05**

(52) **U.S. Cl.** ..... **D8/25**

(58) **Field of Classification Search** ..... D8/21-29,  
D8/59-62, 64, 67, 17; 81/119-121.1, 125.1,  
81/177.8, 176.1, 186, 177.1, 177.9, 185.1,  
81/177.85, 90.1, 176.2, 124.4, 58.2, 59.1,  
81/60

See application file for complete search history.

(56) **References Cited**

**U.S. PATENT DOCUMENTS**

D214,776 S \* 7/1969 Schaedler ..... D8/61

D269,938 S \* 8/1983 Izumisawa ..... D8/61  
D278,407 S \* 4/1985 Fleischer, Jr. .... D8/61  
D289,135 S \* 4/1987 Doman ..... D8/61  
D380,949 S \* 7/1997 Sung ..... D8/61  
D389,025 S \* 1/1998 Sung ..... D8/61  
D449,212 S \* 10/2001 Price et al. .... D8/107  
D468,174 S \* 1/2003 Morgan ..... D8/61  
D468,607 S \* 1/2003 Price et al. .... D8/61  
D484,016 S \* 12/2003 Baker ..... D8/61

\* cited by examiner

*Primary Examiner*—Raphael Barkai  
*Assistant Examiner*—Randall H. Gholson

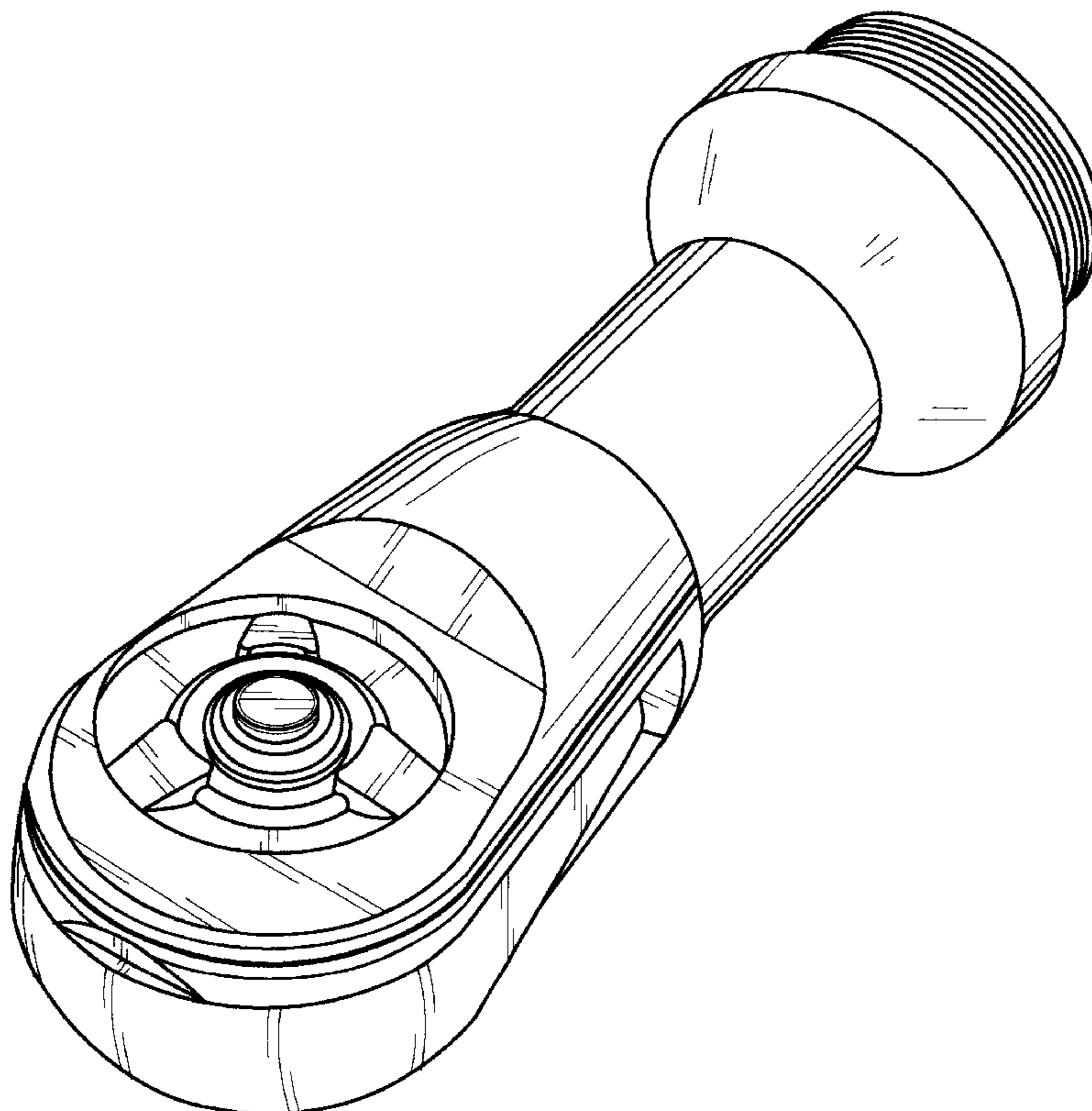
(57) **CLAIM**

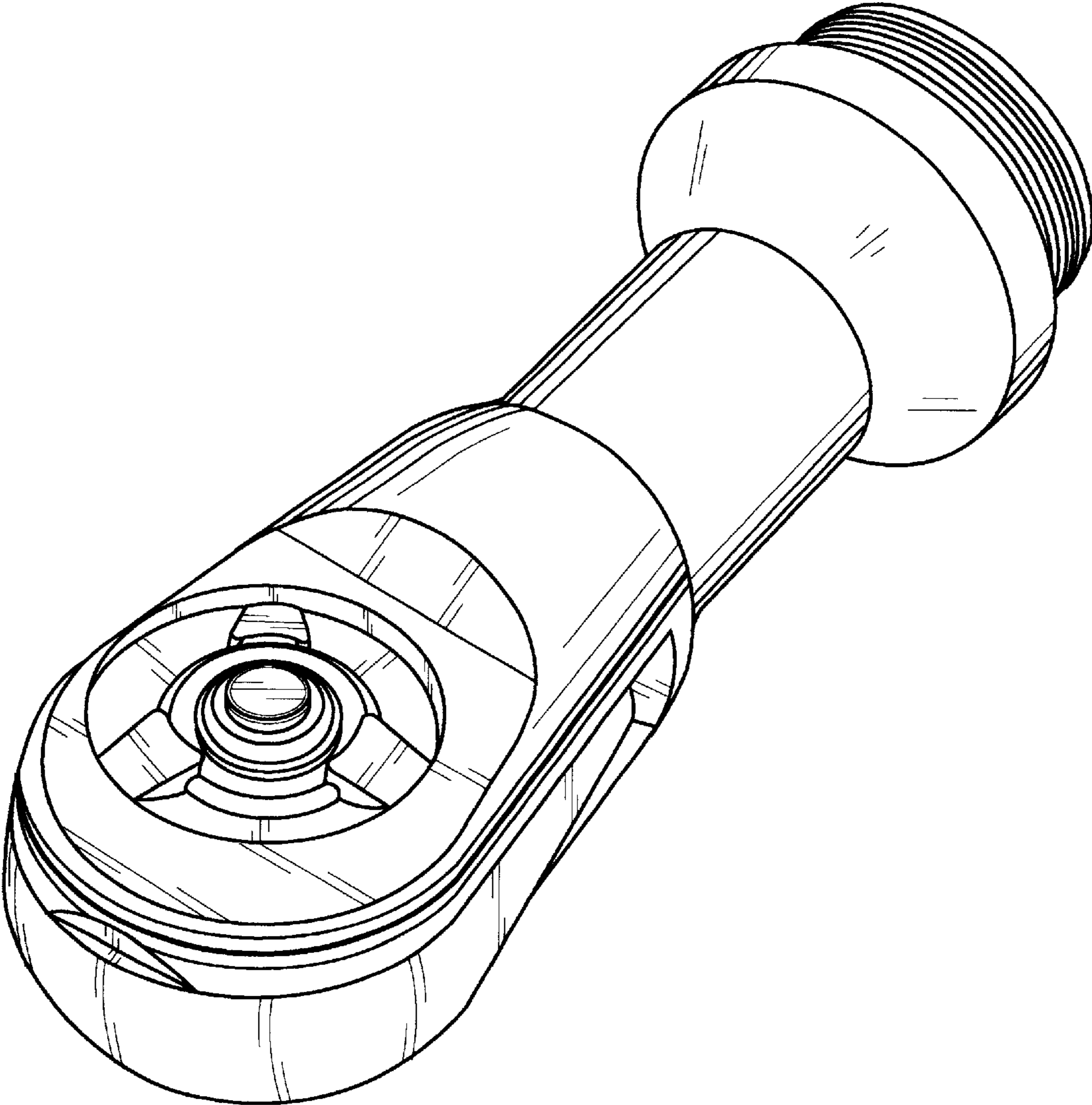
The ornamental design for a socket drive assembly, as  
shown and described.

**DESCRIPTION**

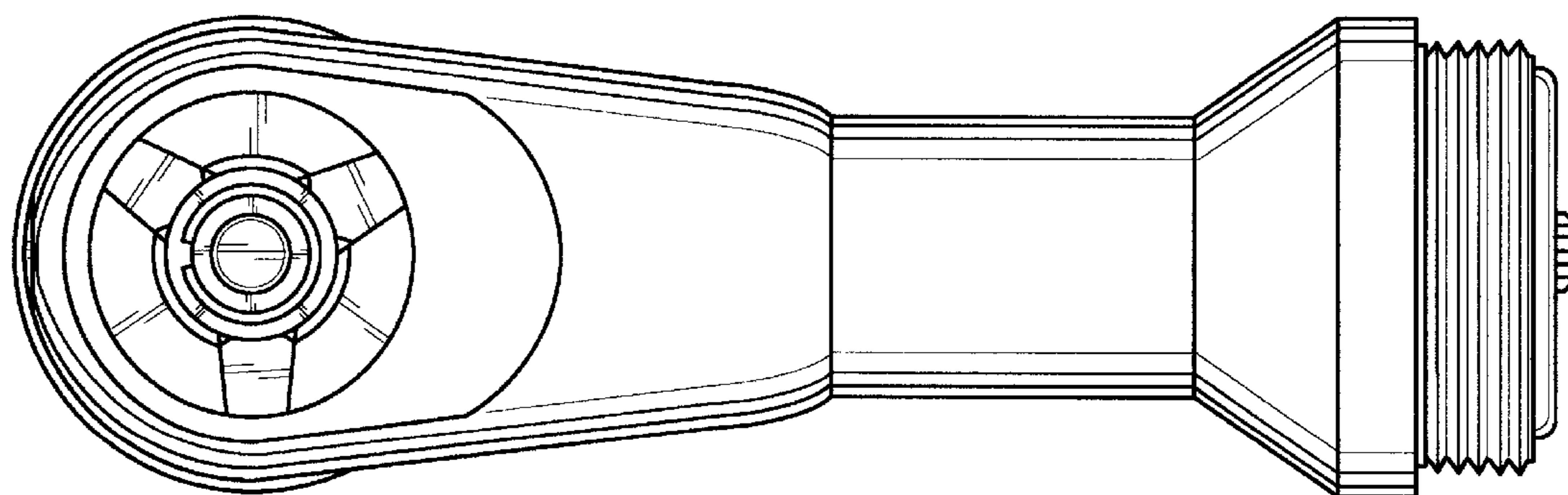
FIG. 1 is a perspective view of a socket drive assembly  
showing our new design;  
FIG. 2 is a top plan view thereof;  
FIG. 3 is a bottom plan view thereof;  
FIG. 4 is a side view of the right side thereof;  
FIG. 5 is a side view of the left side thereof;  
FIG. 6 is a front elevational view thereof; and,  
FIG. 7 is a rear elevational view thereof.

**1 Claim, 4 Drawing Sheets**

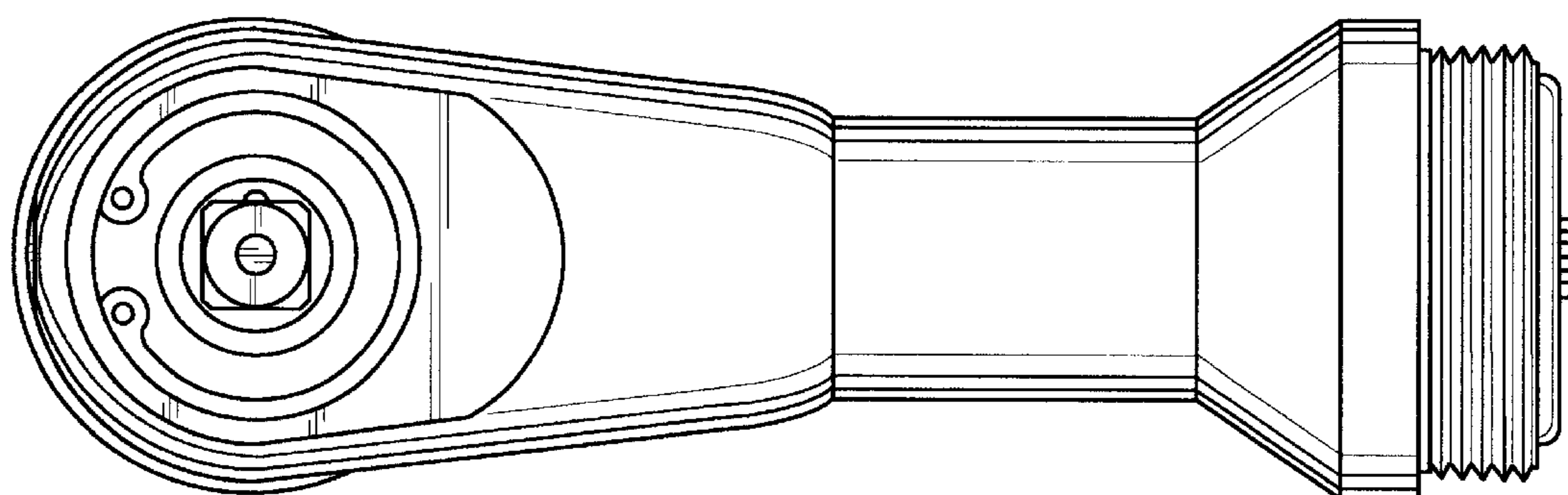




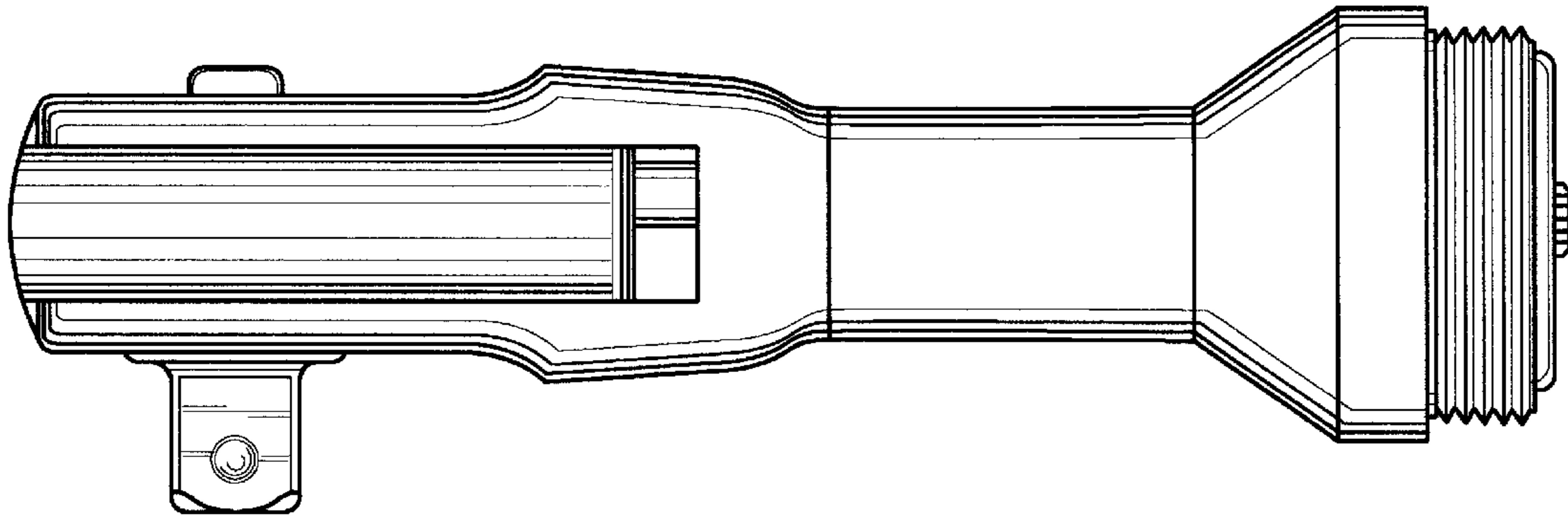
**FIG. 1**



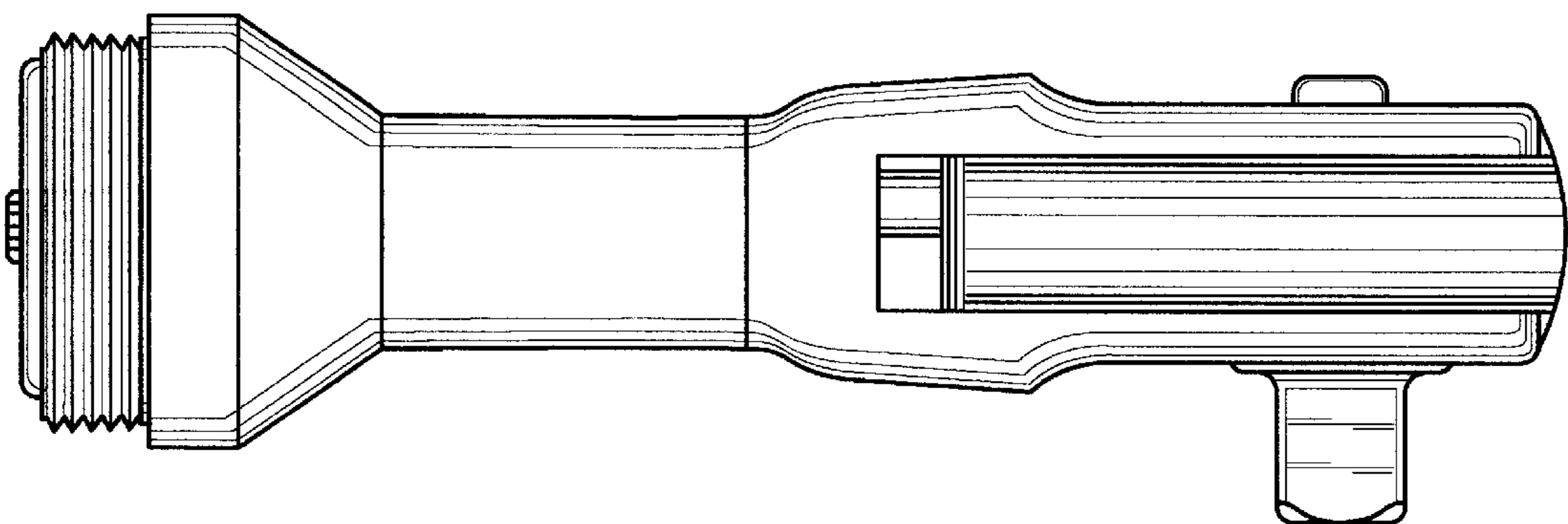
**FIG. 2**



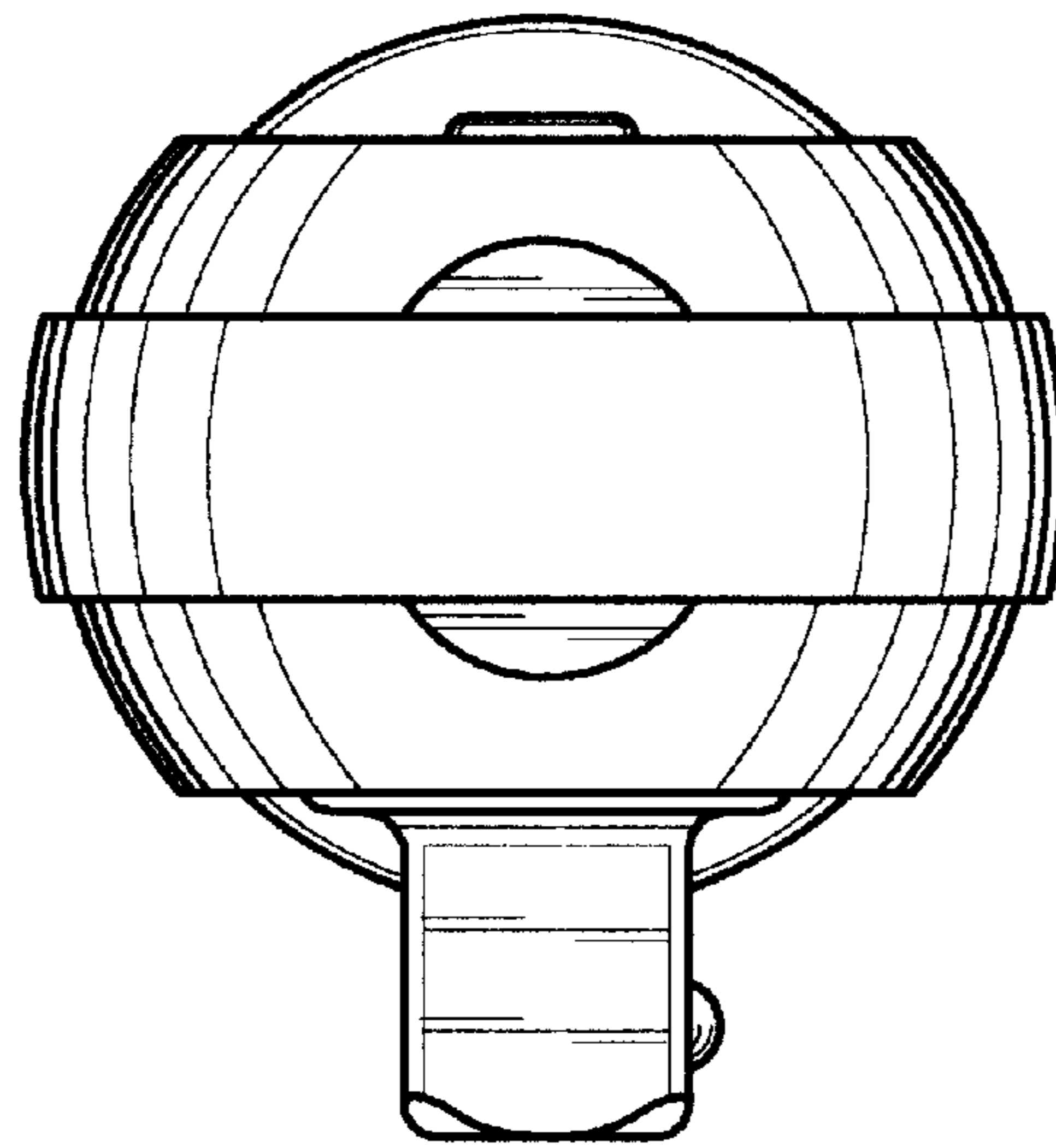
**FIG. 3**



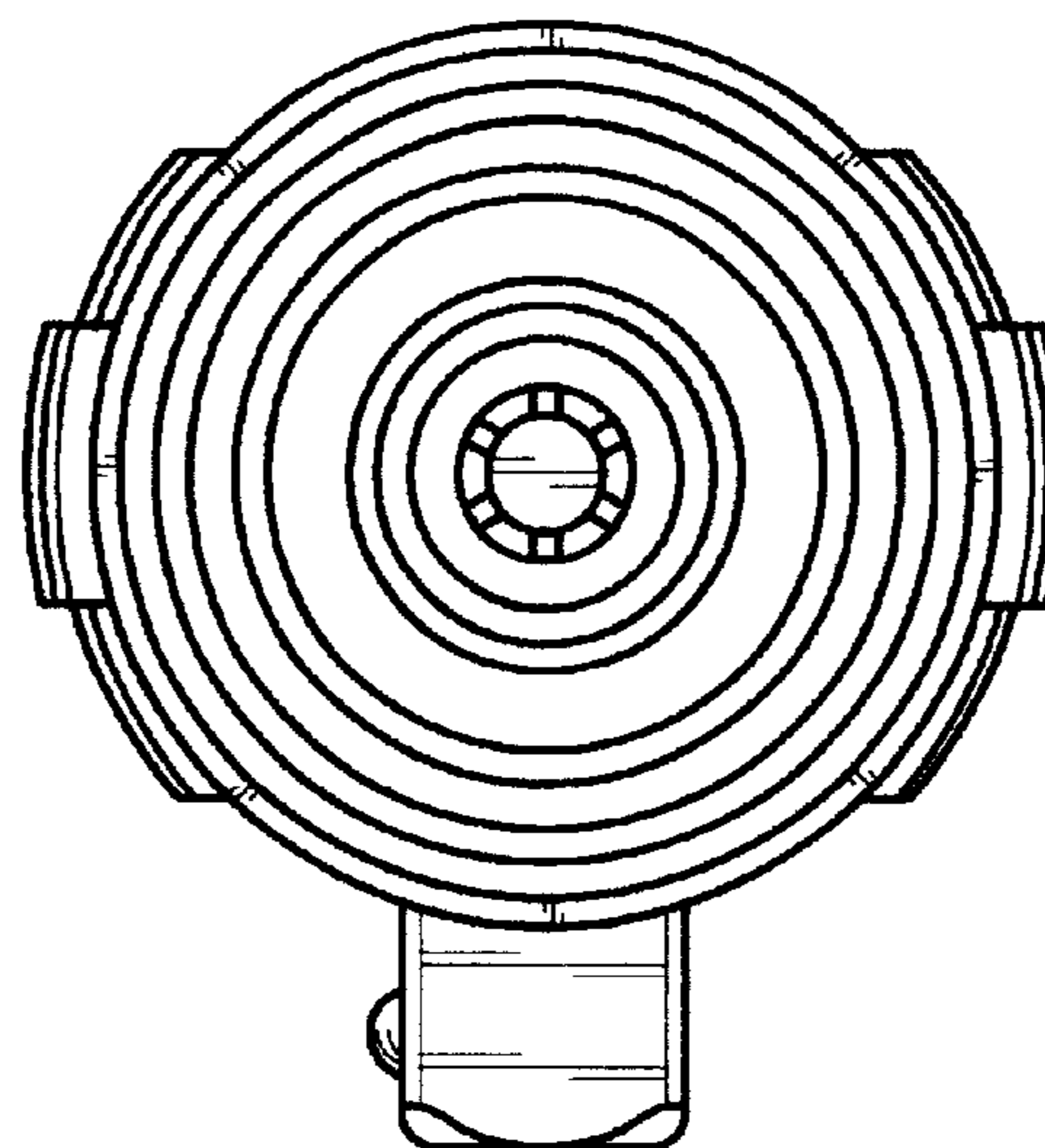
**FIG. 4**



**FIG. 5**



**FIG. 6**



**FIG. 7**