

US00D540630S

(12) **United States Design Patent**  
**Jenkins**

(10) **Patent No.:** **US D540,630 S**

(45) **Date of Patent:** **\*\* Apr. 17, 2007**

(54) **BEVERAGE CONTAINER HOLDER**

(75) Inventor: **Justin Jenkins**, Huntington, IN (US)

(73) Assignee: **The Founding Collegians, LLC.**,  
Huntington, IN (US)

(\*\*) Term: **14 Years**

(21) Appl. No.: **29/247,468**

(22) Filed: **Jun. 20, 2006**

(51) **LOC (8) Cl.** ..... **07-06**

(52) **U.S. Cl.** ..... **D7/701; D3/313**

(58) **Field of Classification Search** ..... D7/701-708,  
D7/555-557, 553.1-553.8; D3/304, 313,  
D3/314; 220/574-575; 206/557-565, 6.1,  
206/315.1, 349, 371, 372, 378, 379, 553;  
211/74

See application file for complete search history.

(56) **References Cited**

**U.S. PATENT DOCUMENTS**

2,531,562	A	*	11/1950	Eve	.....	220/560
3,211,290	A	*	10/1965	Strickling	.....	D7/708
3,315,858	A	*	4/1967	Horner	.....	220/574
3,442,378	A	*	5/1969	Wolfe	.....	206/565
D231,594	S	*	5/1974	Demers	.....	D7/701
D247,123	S	*	1/1978	Benes	.....	D7/707

D247,533	S	*	3/1978	Noyes	.....	D7/701
4,793,097	A	*	12/1988	Whitcomb	.....	211/74
D320,909	S	*	10/1991	Szablak et al.	.....	D7/701
D327,970	S	*	7/1992	Watanabe et al.	.....	D3/313
D394,750	S	*	6/1998	Iversen et al.	.....	D7/313
D402,411	S	*	12/1998	Radler	.....	D7/701
D404,264	S	*	1/1999	Lipar	.....	D7/704
D442,038	S	*	5/2001	Goldsborough	.....	D7/701

\* cited by examiner

*Primary Examiner*—Terry A. Wallace

(74) *Attorney, Agent, or Firm*—The Founding Collegians, LLC; Justin Jenkins; Trevor Boman

(57) **CLAIM**

The ornamental design for beverage container holder, as shown and described.

**DESCRIPTION**

FIG. 1 is a perspective view of a beverage container holder of the present invention;

FIG. 2 is a left-side elevational view of the invention, the right-side elevational view being a mirror image thereof;

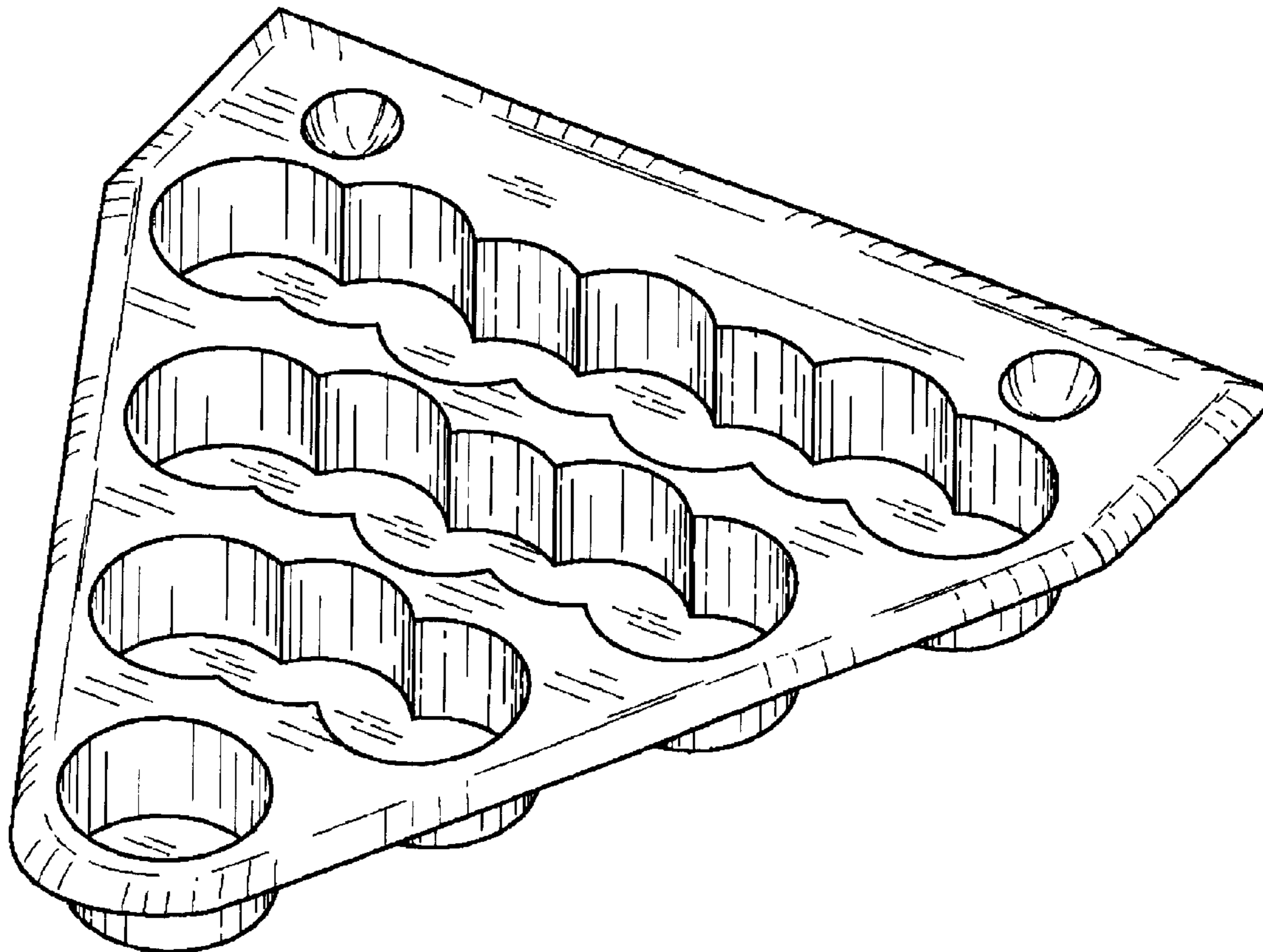
FIG. 3 is a front elevational view of the invention.

FIG. 4 is a top plan view of the invention;

FIG. 5 is a bottom plan view of the invention; and,

FIG. 6 is a rear elevational view of the invention.

**1 Claim, 2 Drawing Sheets**



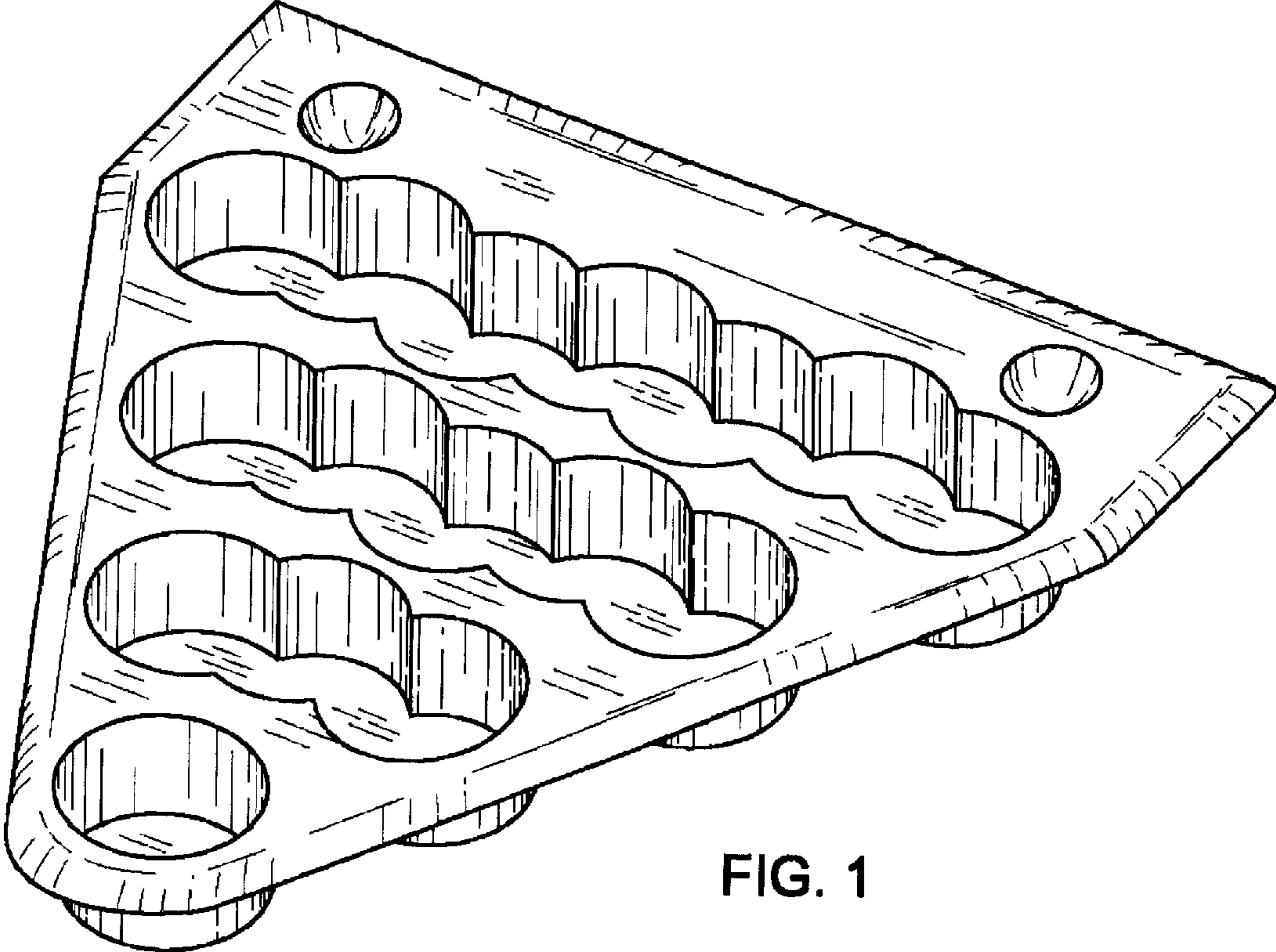


FIG. 1

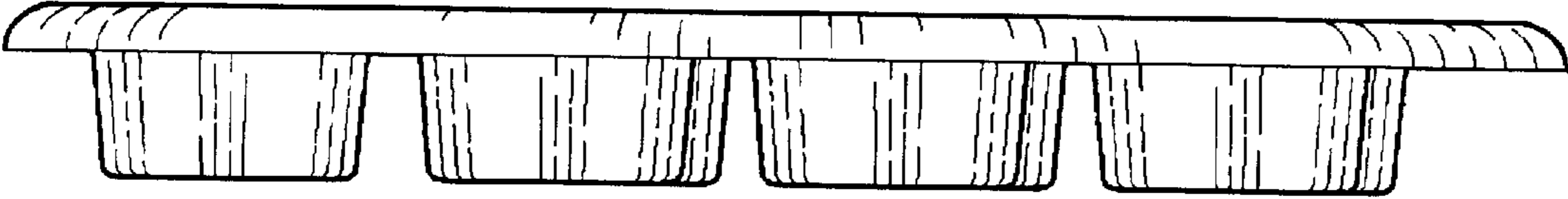


FIG. 2

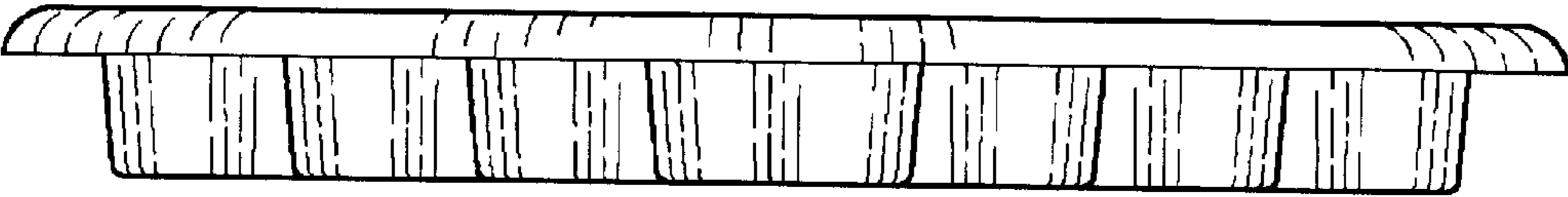


FIG. 3

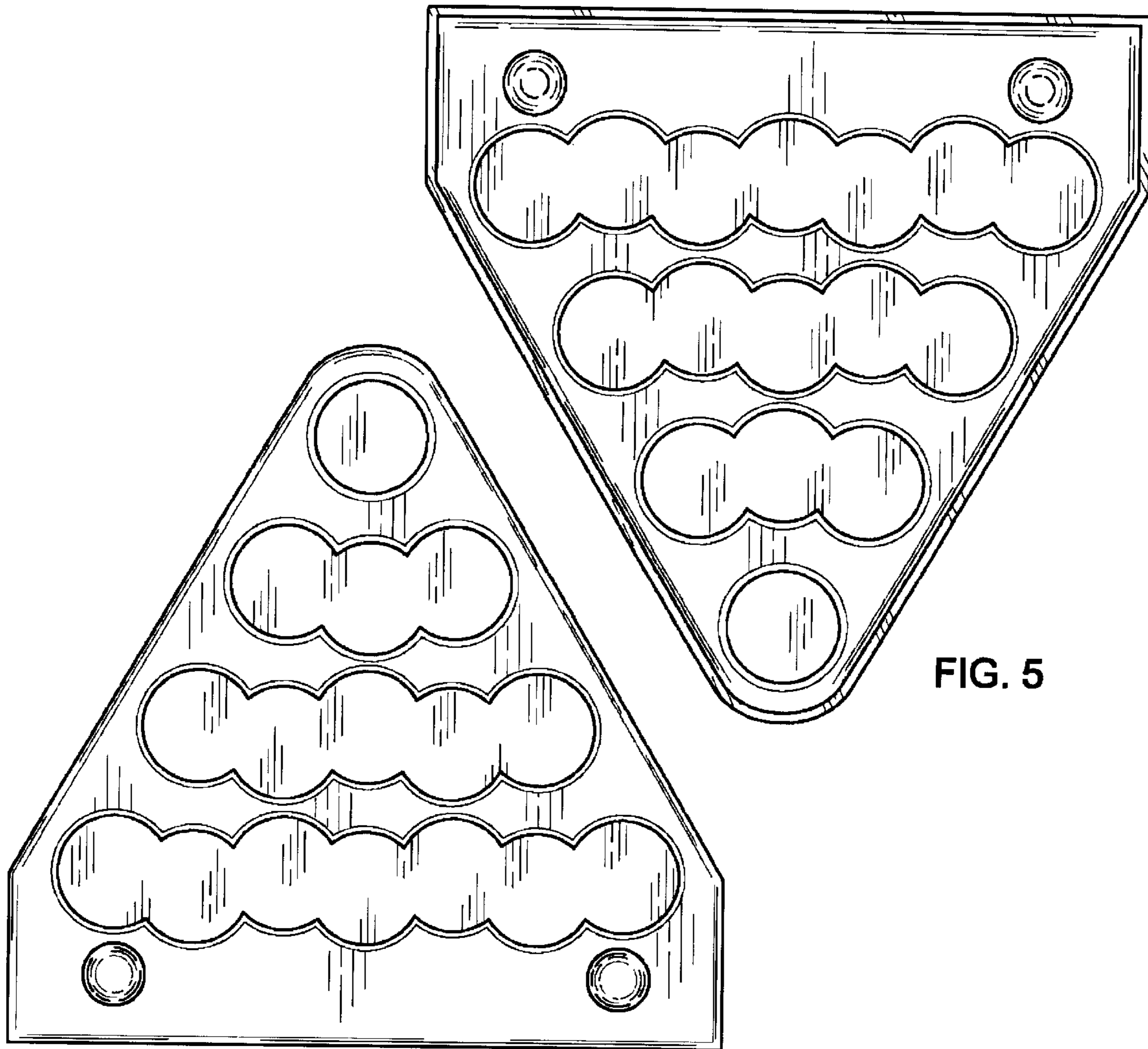


FIG. 4

FIG. 5

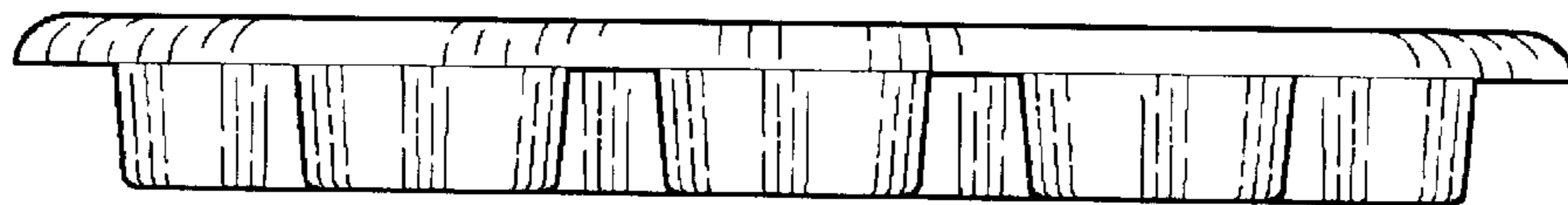


FIG. 6