

US00D540626S

(12) **United States Design Patent**  
**Janky**

(10) **Patent No.:** **US D540,626 S**

(45) **Date of Patent:** **\*\* Apr. 17, 2007**

(54) **INSULATED CONTAINER**

4,190,155 A \* 2/1980 Higley ..... 220/592.25  
6,032,481 A \* 3/2000 Mosby ..... 62/457.2  
D476,528 S 7/2003 Janky et al.

(75) Inventor: **Gregory Janky**, Sammamish, WA (US)

\* cited by examiner

(73) Assignee: **Pacific Market International, LLC**,  
Seattle, WA (US)

*Primary Examiner*—Terry A. Wallace

(\*\*) Term: **14 Years**

(74) *Attorney, Agent, or Firm*—George C. Rondeau, Jr.;  
Davis Wright Tremaine LLP

(21) Appl. No.: **29/254,933**

(57) **CLAIM**

(22) Filed: **Mar. 1, 2006**

The ornamental design for an insulated container, as shown  
and described.

(51) **LOC (8) Cl.** ..... **07-01**

(52) **U.S. Cl.** ..... **D7/608; D7/629**

(58) **Field of Classification Search** ..... D7/605–608,  
D7/602, 629; 62/457.1–457.8; 206/216, 223,  
206/541, 543; 220/592.16, 592.2, 592.25,  
220/592.27, 915.1, 915.2; D9/424–429

**DESCRIPTION**

See application file for complete search history.

FIG. 1 is a front right isometric view of an insulated  
container showing my new design.

FIG. 2 is a front elevational view thereof.

FIG. 3 is a rear elevational view thereof.

FIG. 4 is a left elevational view thereof.

FIG. 5 is a right elevational view thereof.

FIG. 6 is a top plan view thereof; and,

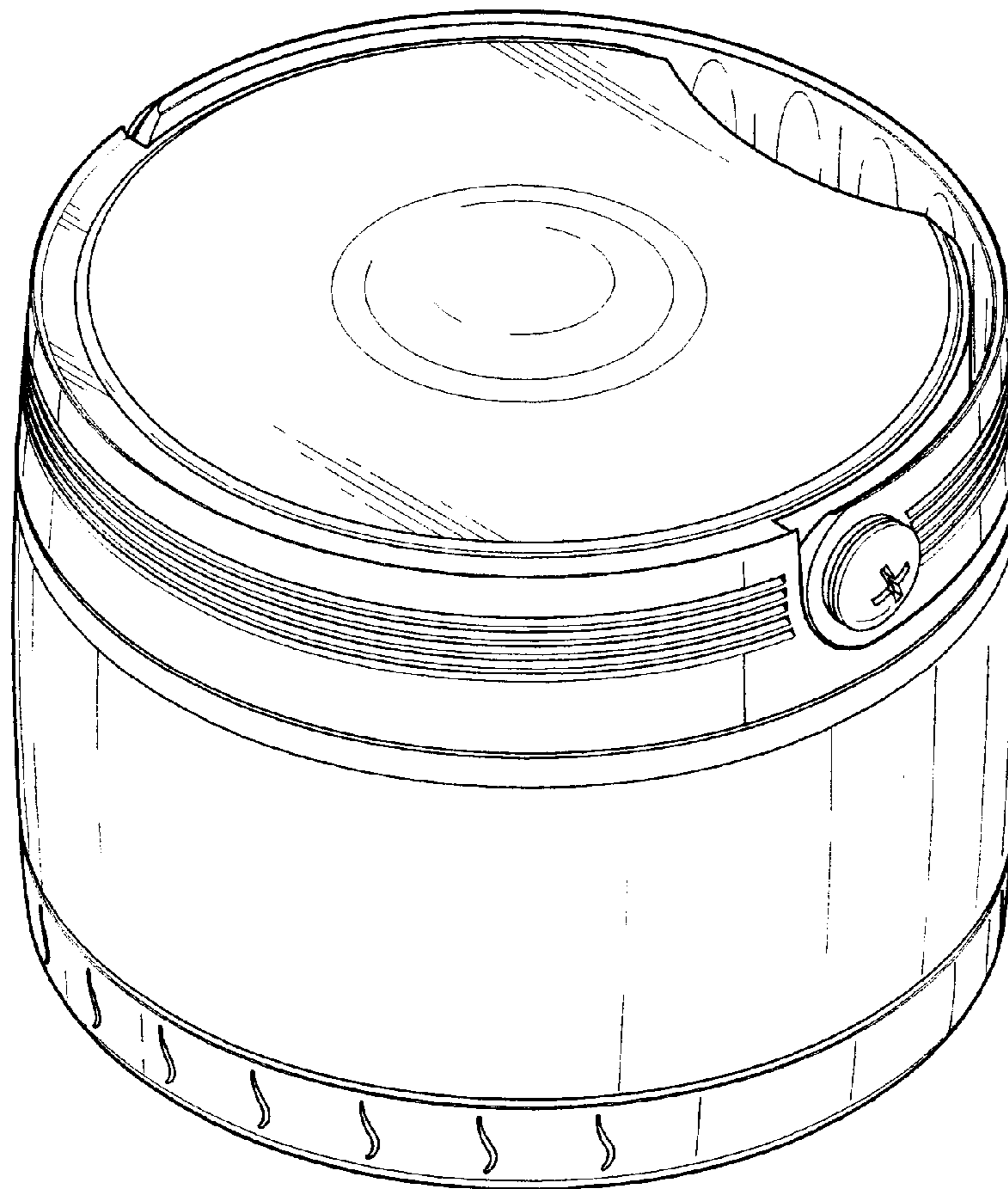
FIG. 7 is a bottom plan view thereof.

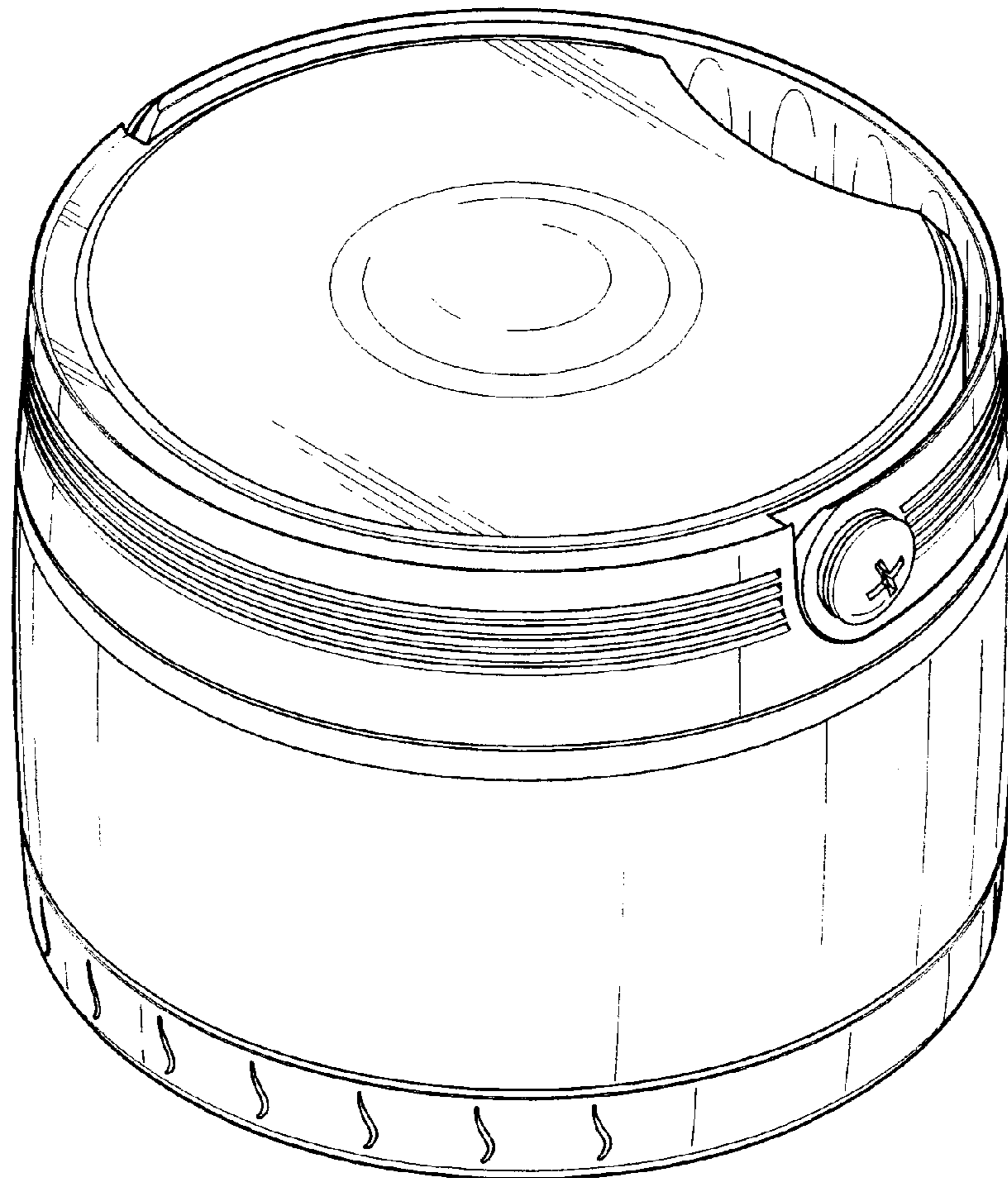
(56) **References Cited**

**U.S. PATENT DOCUMENTS**

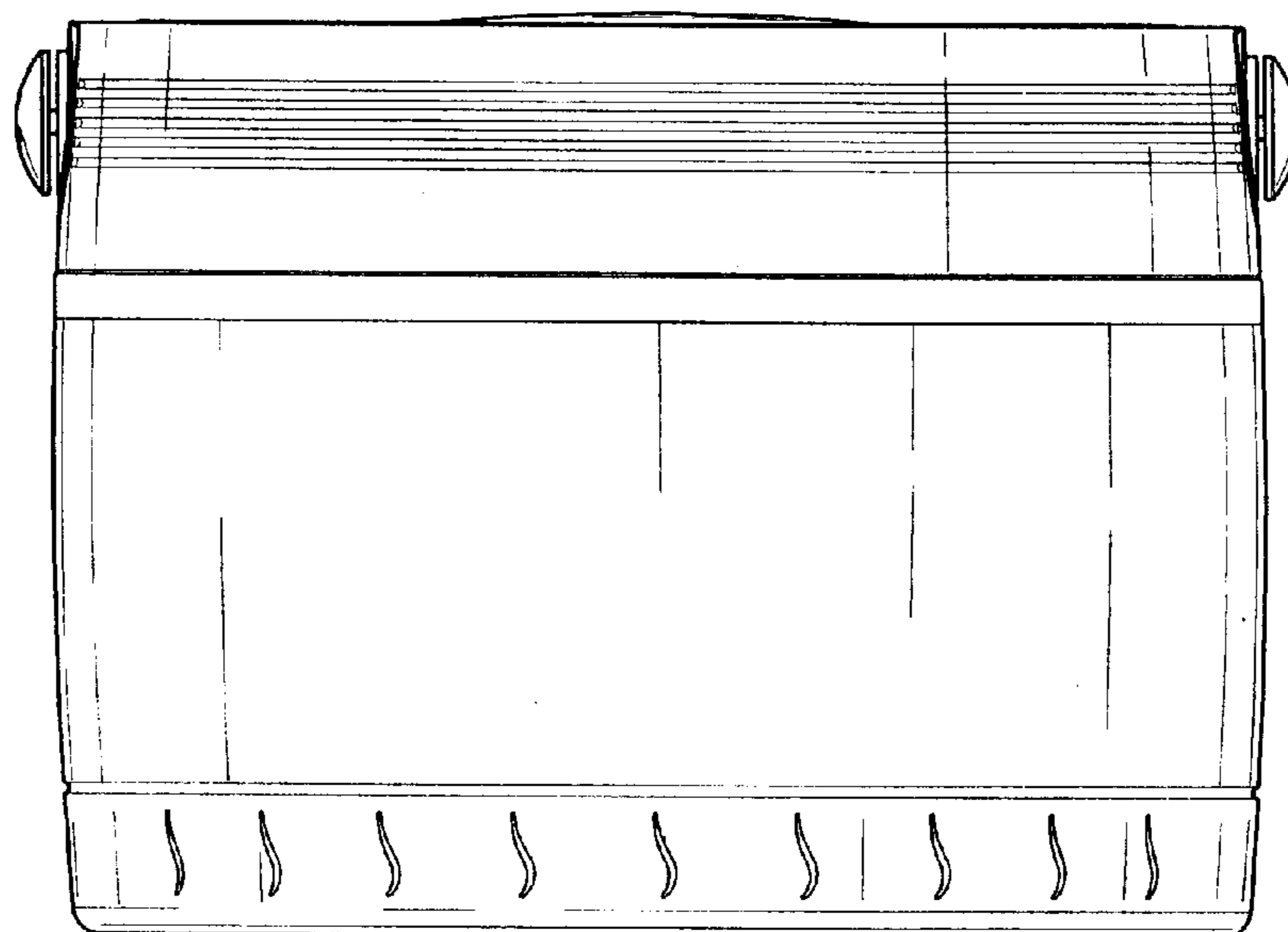
2,656,946 A \* 10/1953 Clarke ..... 220/592.2

**1 Claim, 4 Drawing Sheets**

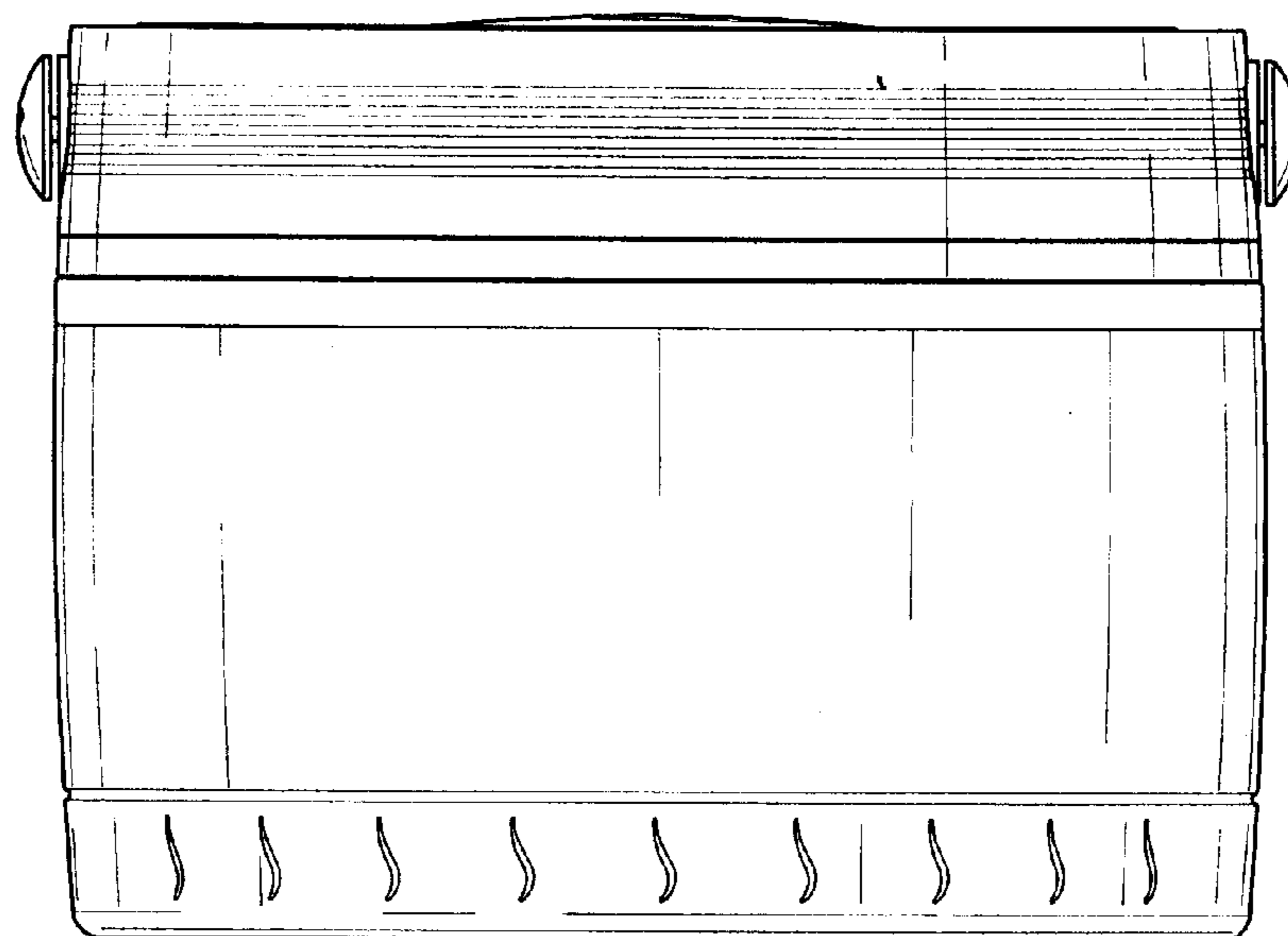




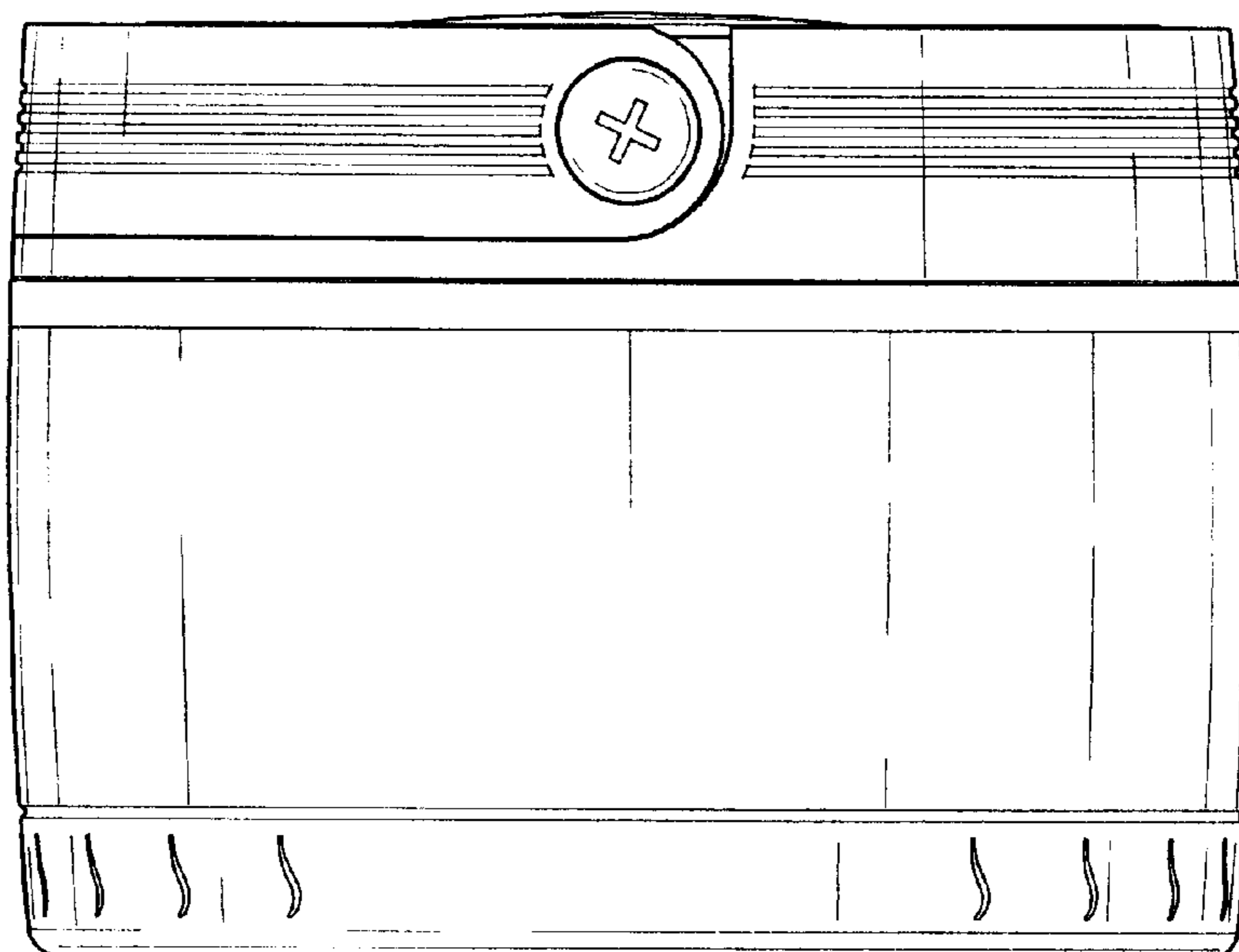
*Fig. 1*



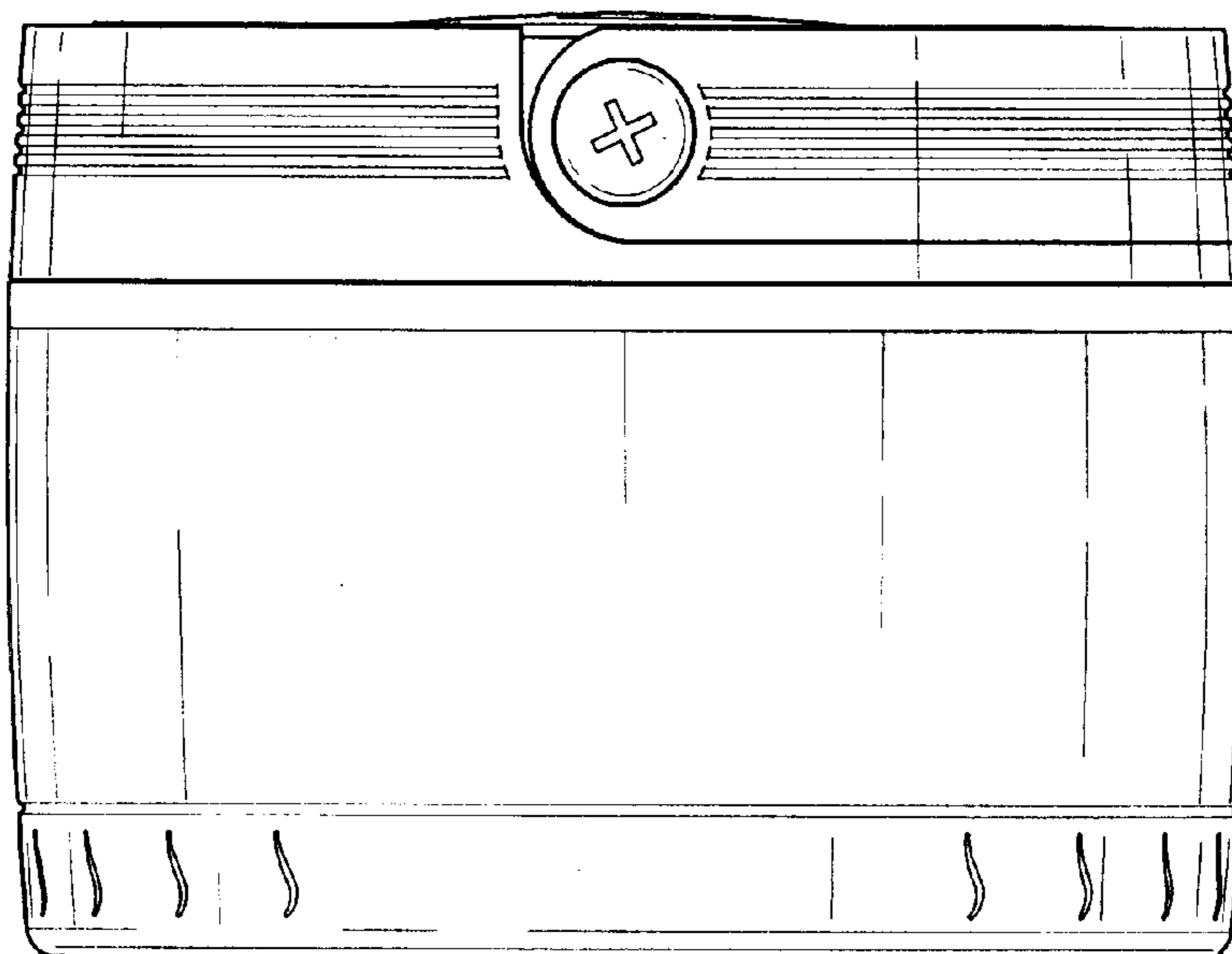
*Fig. 2*



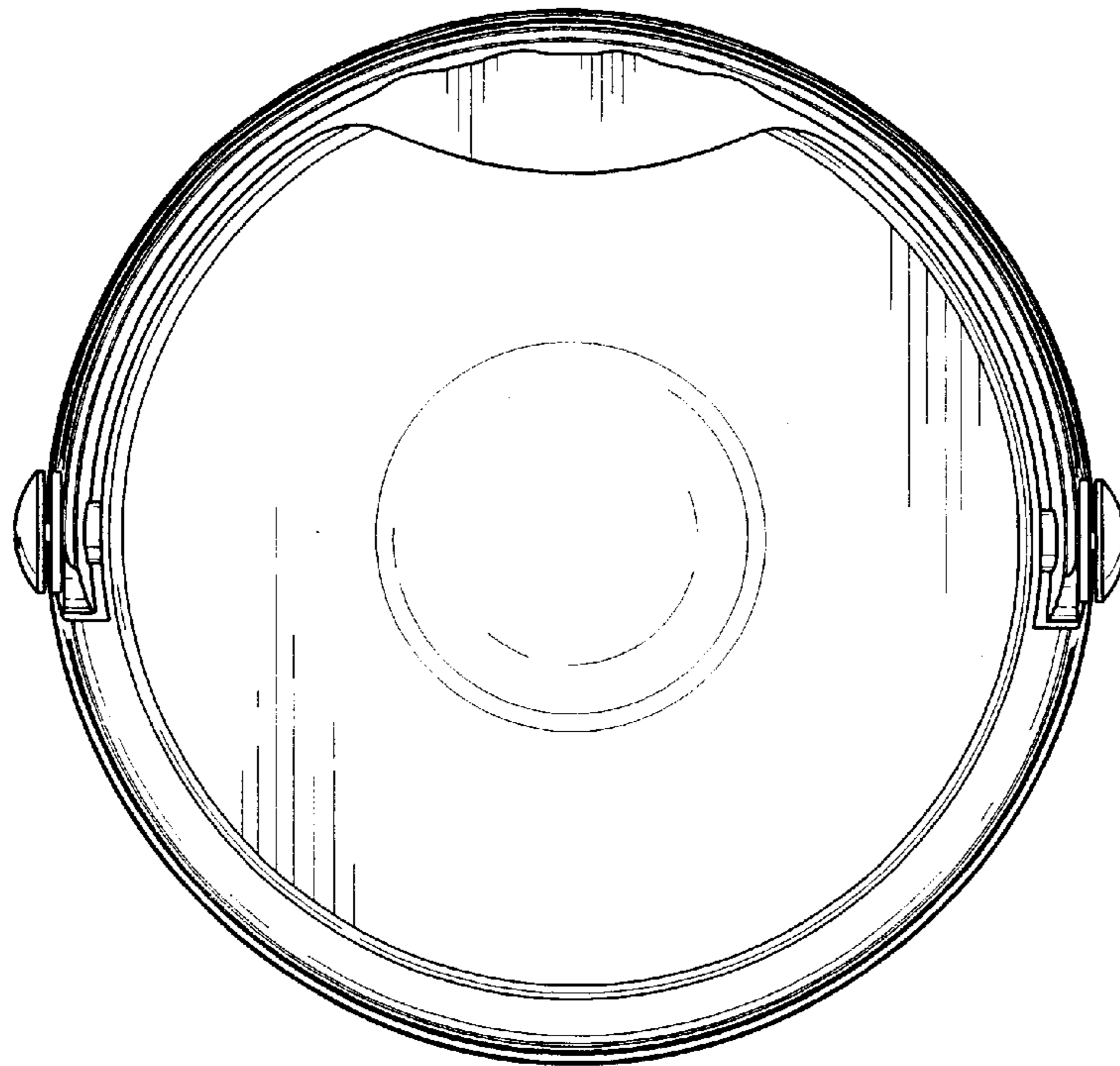
*Fig. 3*



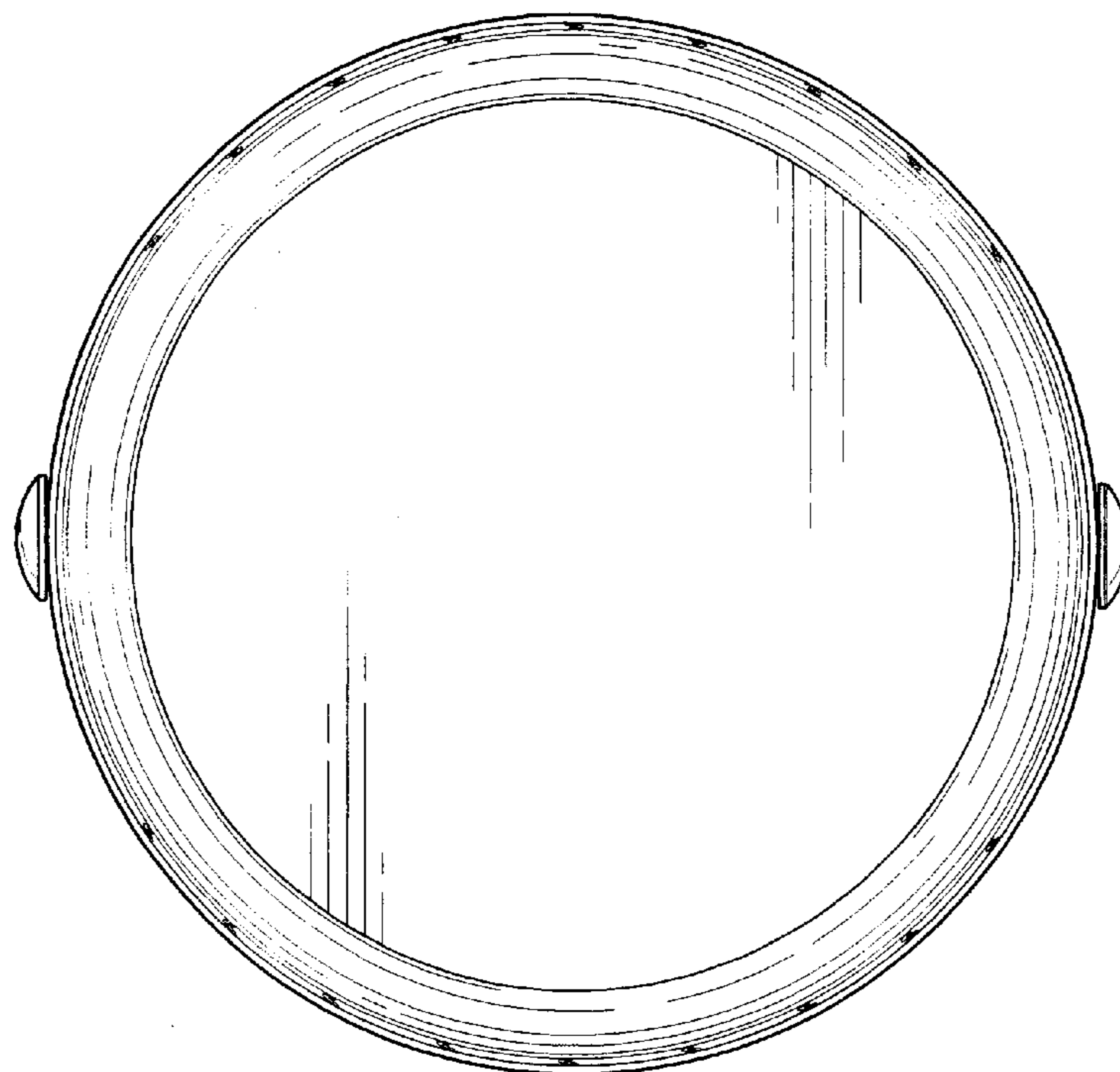
*Fig. 4*



*Fig. 5*



*Fig. 6*



*Fig. 7*