

US00D540625S

(12) **United States Design Patent**
Sandberg

(10) **Patent No.:** **US D540,625 S**

(45) **Date of Patent:** **** Apr. 17, 2007**

(54) **VACUUM CONTAINER**

(75) Inventor: **Emma Sandberg**, Huddinge (SE)

(73) Assignee: **Xindao B.V.**, Rijswijk (NL)

(**) Term: **14 Years**

(21) Appl. No.: **29/246,276**

(22) Filed: **Mar. 28, 2006**

(51) **LOC (8) Cl.** **07-01**

(52) **U.S. Cl.** **D7/608**

(58) **Field of Classification Search** D7/300,
D7/312-322, 605-608; D9/500, 549, 503-505,
D9/574, 575; 62/457.1-457.9, 371, 372;
215/6, 12.1, 12.2, 13.1, 396, 398; 220/592.27
See application file for complete search history.

(56) **References Cited**

U.S. PATENT DOCUMENTS

4,427,123 A	1/1984	Komeda et al.	
4,585,134 A *	4/1986	Miyaji et al.	215/398
D354,880 S	1/1995	Huang	
D392,842 S	3/1998	Parpaiola	
5,799,811 A	9/1998	Brückner et al.	

6,119,888 A *	9/2000	Goto et al.	220/592.27
D450,223 S	11/2001	Jørgensen	
D459,157 S	6/2002	Manning	
6,401,964 B1 *	6/2002	Goto et al.	220/592.27
6,439,416 B1	8/2002	Hawkins	

* cited by examiner

Primary Examiner—Terry A. Wallace

(74) *Attorney, Agent, or Firm*—Blackwell Sanders Peper Martin LLP; Samuel Digiorlamo, Esq.

(57) **CLAIM**

The ornamental design for a vacuum container, as shown and described.

DESCRIPTION

FIG. 1 is a perspective view of a vacuum container showing my new design.

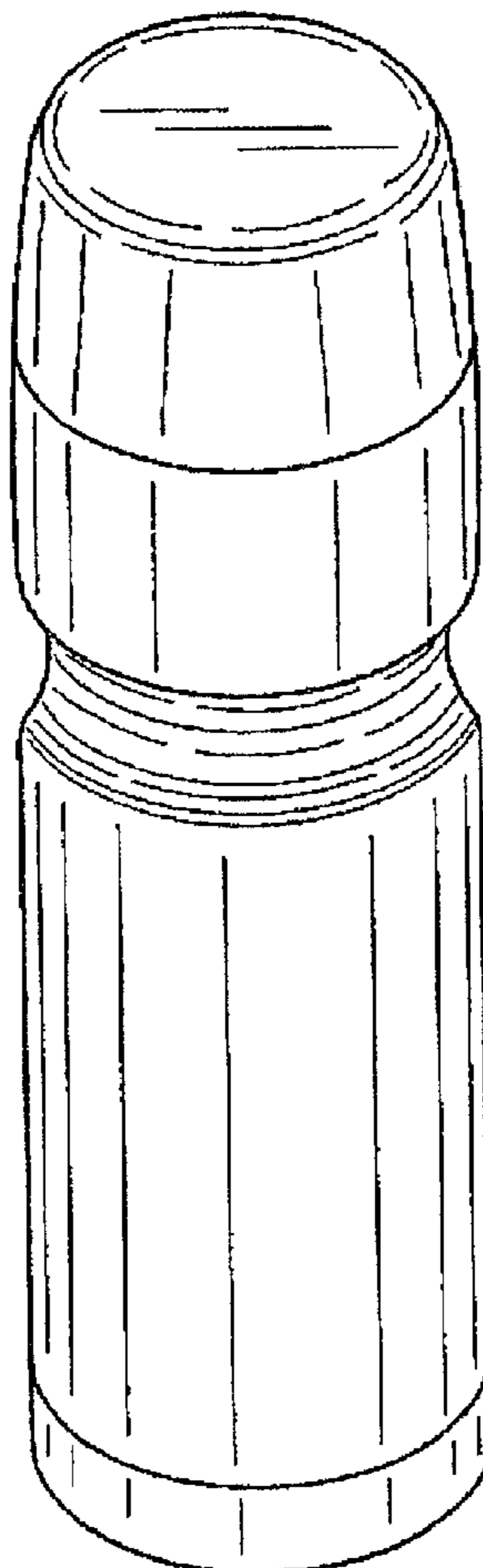
FIG. 2 is a front elevational view thereof, the rear and side elevational views being an identical image thereof.

FIG. 3 is a top plan view thereof.

FIG. 4 is a bottom plan view thereof; and,

FIG. 5 is a perspective view showing the cup removed from the thermos.

1 Claim, 2 Drawing Sheets



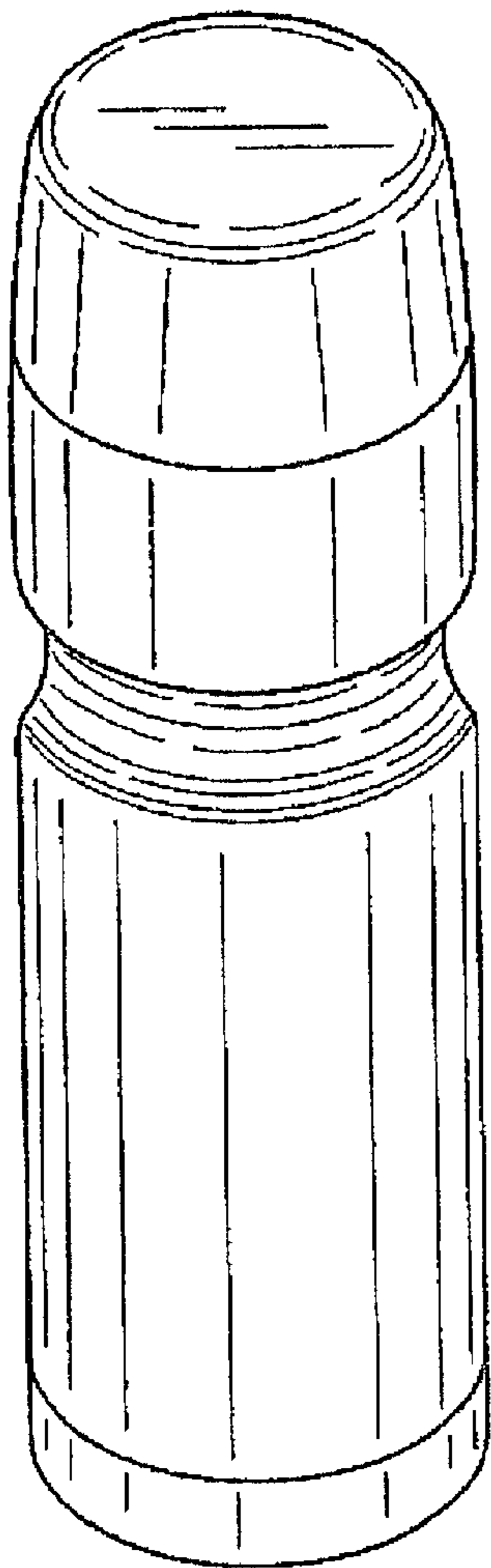


FIG. 1

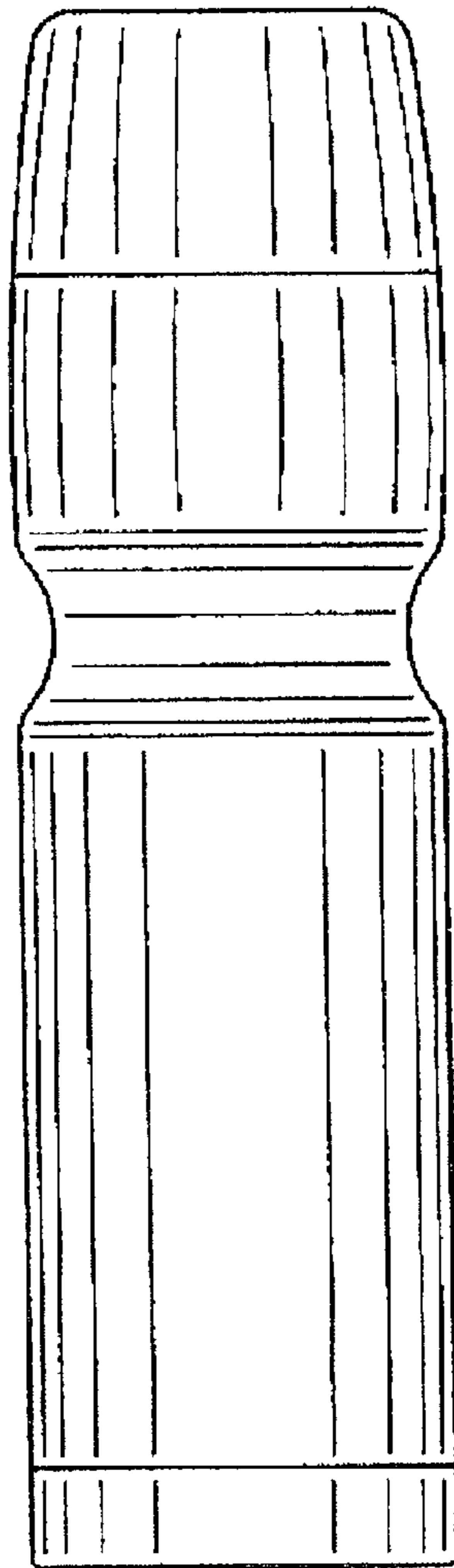


FIG. 2

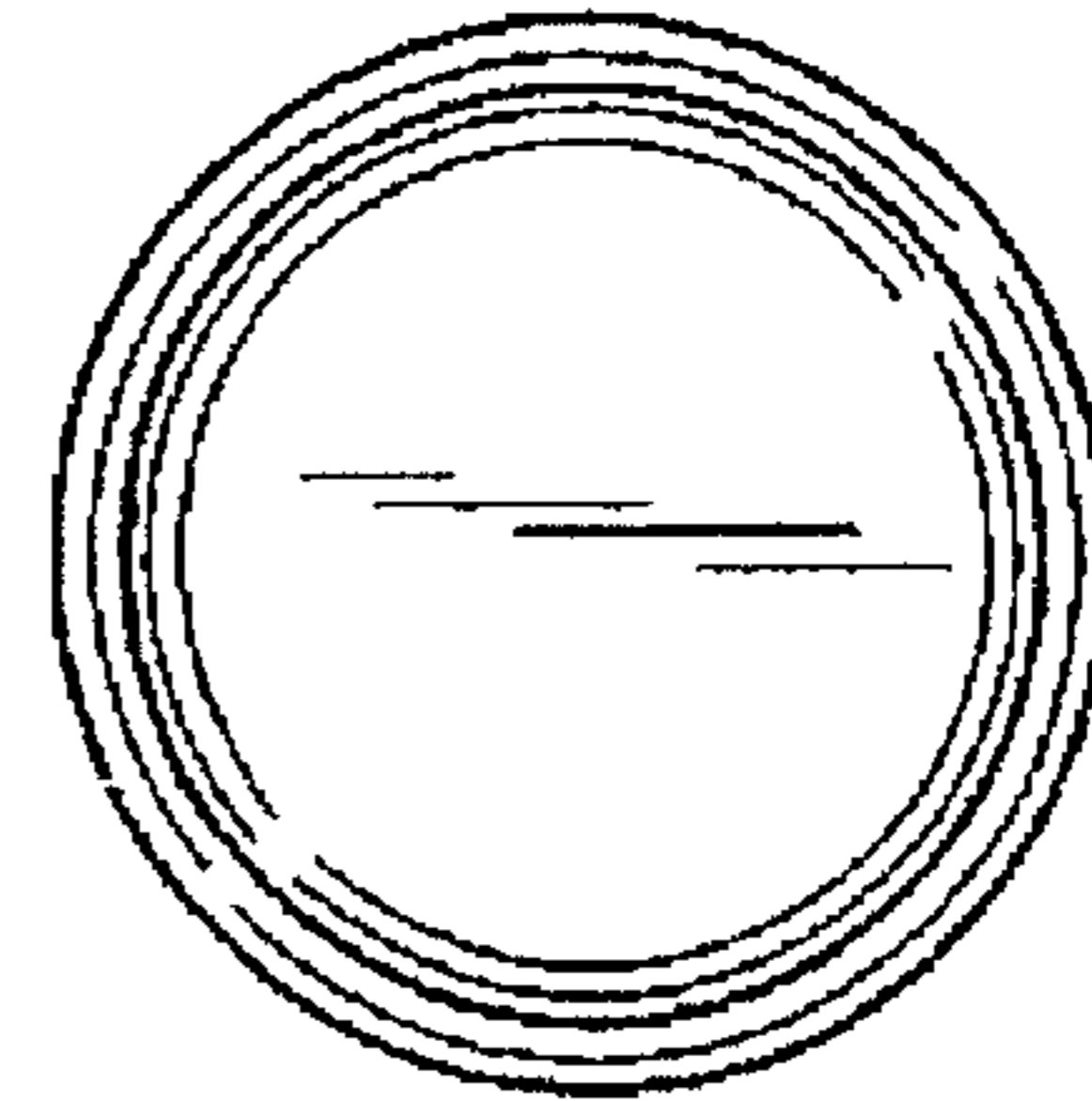


FIG. 3

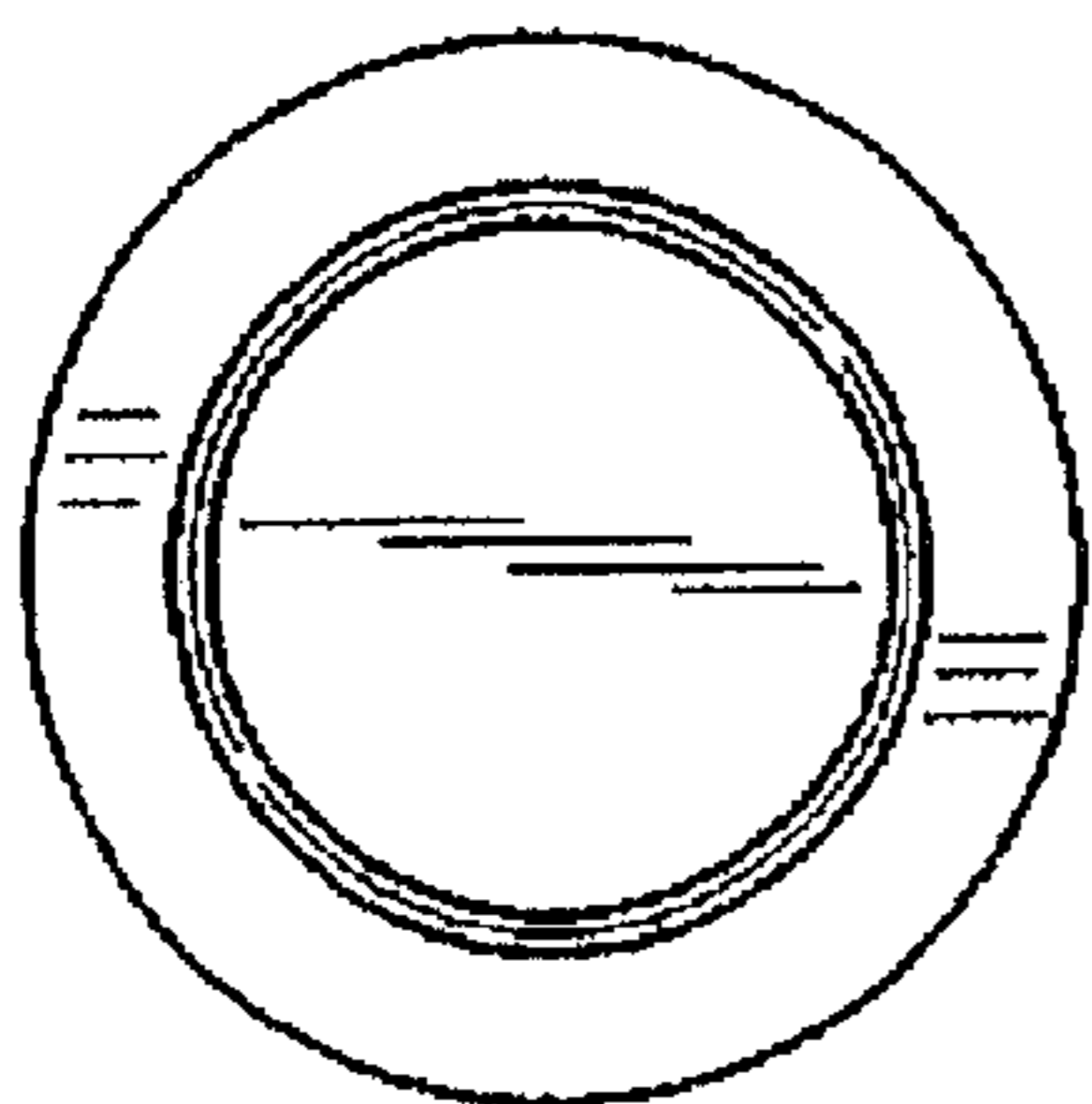


FIG. 4

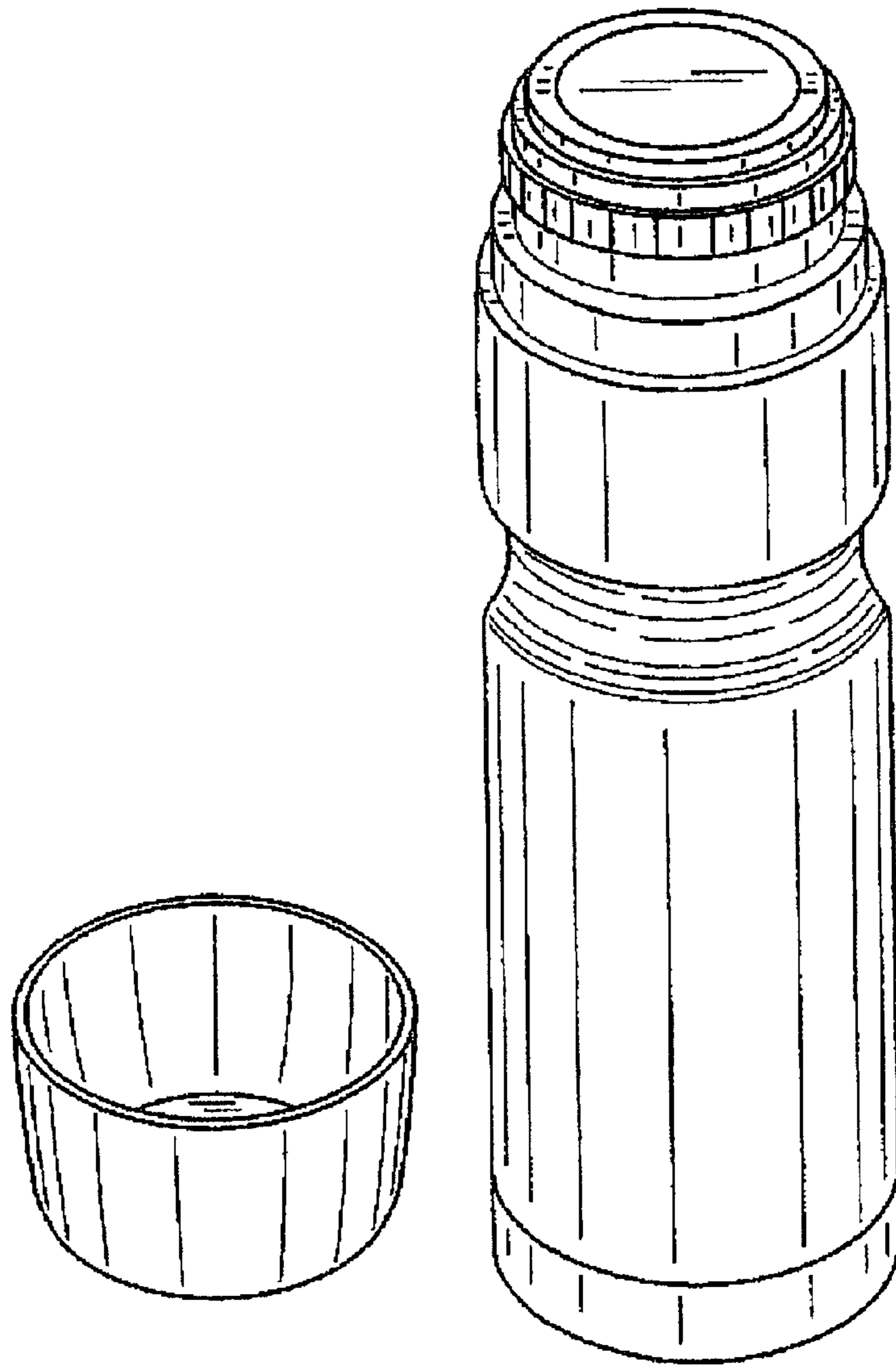


FIG. 5