



US00D540620S

(12) **United States Design Patent**
Bushkovsky

(10) **Patent No.:** **US D540,620 S**

(45) **Date of Patent:** **** Apr. 17, 2007**

(54) **GLASS**

(76) Inventor: **Evgeni V. Bushkovsky**, Prospekt
Koroleva 47/1 - 30, St. Petersburg
(RU), 197371

(**) Term: **14 Years**

(21) Appl. No.: **29/230,764**

(22) Filed: **May 26, 2005**

(30) **Foreign Application Priority Data**

Nov. 26, 2004 (RU) 2004503074

(51) **LOC (8) Cl.** **07-01**

(52) **U.S. Cl.** **D7/509**

(58) **Field of Classification Search** D7/529,
D7/510, 511, 523, 507, 509, 503, 513, 555,
D7/557, 535; D11/144; 215/12.1; 220/719,
220/675, 707, 705, 737, 703, 704, 592.16,
220/592.17, 630, 710.5, 739; 206/519, 520,
206/217; 229/409, 400, 103.1; D39/9, 1;
D21/455, 460

See application file for complete search history.

(56) **References Cited**

U.S. PATENT DOCUMENTS

D155,045 S	*	8/1949	Spyros	D21/460
2,805,795 A	*	9/1957	Barnes	222/184
3,850,563 A	*	11/1974	Milonas et al.	425/275
D237,521 S	*	11/1975	Tremblay	D21/460
D289,722 S	*	5/1987	Neiser	D7/624.1
5,122,089 A	*	6/1992	Haran	446/257
D365,499 S	*	12/1995	Welker	D7/509
5,644,298 A	*	7/1997	Brooks et al.	340/612
6,053,403 A	*	4/2000	Cai	229/400
D428,452 S	*	7/2000	Aronov et al.	D21/460
D441,160 S	*	4/2001	Lin	D34/7
D453,252 S	*	1/2002	Lin	D34/9
D462,402 S	*	9/2002	Makhotkin et al.	D21/460
D462,997 S	*	9/2002	Slater et al.	D19/85
D471,406 S	*	3/2003	Wellner	D7/584
D472,355 S	*	3/2003	Keller	D34/1
6,561,414 B1	*	5/2003	Cai	229/400

D488,673 S	*	4/2004	Farce	D7/523
D492,357 S	*	6/2004	Tien	D19/83
D501,886 S	*	2/2005	Chen et al.	D19/85

* cited by examiner

Primary Examiner—M. N. Pandozzi

(57) **CLAIM**

The ornamental design for a glass, as shown and dscribed.

DESCRIPTION

The article is a glass for holding a beverage and can be used as a toy or novelty item. With its base protrusion extending to a point or “dot”-like support, the glass causes the beverage to shake or undulate when the glass is moved or twirled on a surface such as a table top.

FIG. 1 is a top perspective view of a glass having a conical base protrusion;

FIG. 2 is a front elevational view of a glass having a pyramidal base protrusion, showing a second embodiment of my new design;

FIG. 3 is a bottom perspective view of a glass having a pyramidal base protrusion, showing a second embodiment of my new design;

FIG. 4 is a top plan view of a glass having a semi-spherical base protrusion showing a third embodiment of my new design, the opposite side being a mirror image thereof;

FIG. 5 is a top plan view of the embodiment of FIG. 1;

FIG. 6 is a botom plan view of the embodiment shown in FIG. 5.

FIG. 7 is a top perspective view of a glass showing a fourth embodiment of my new design, the fifth and sixth embodiments look the same in this view;

FIG. 8 is a front elevational view of a glass showing a pyramidal base protrusion thereof;

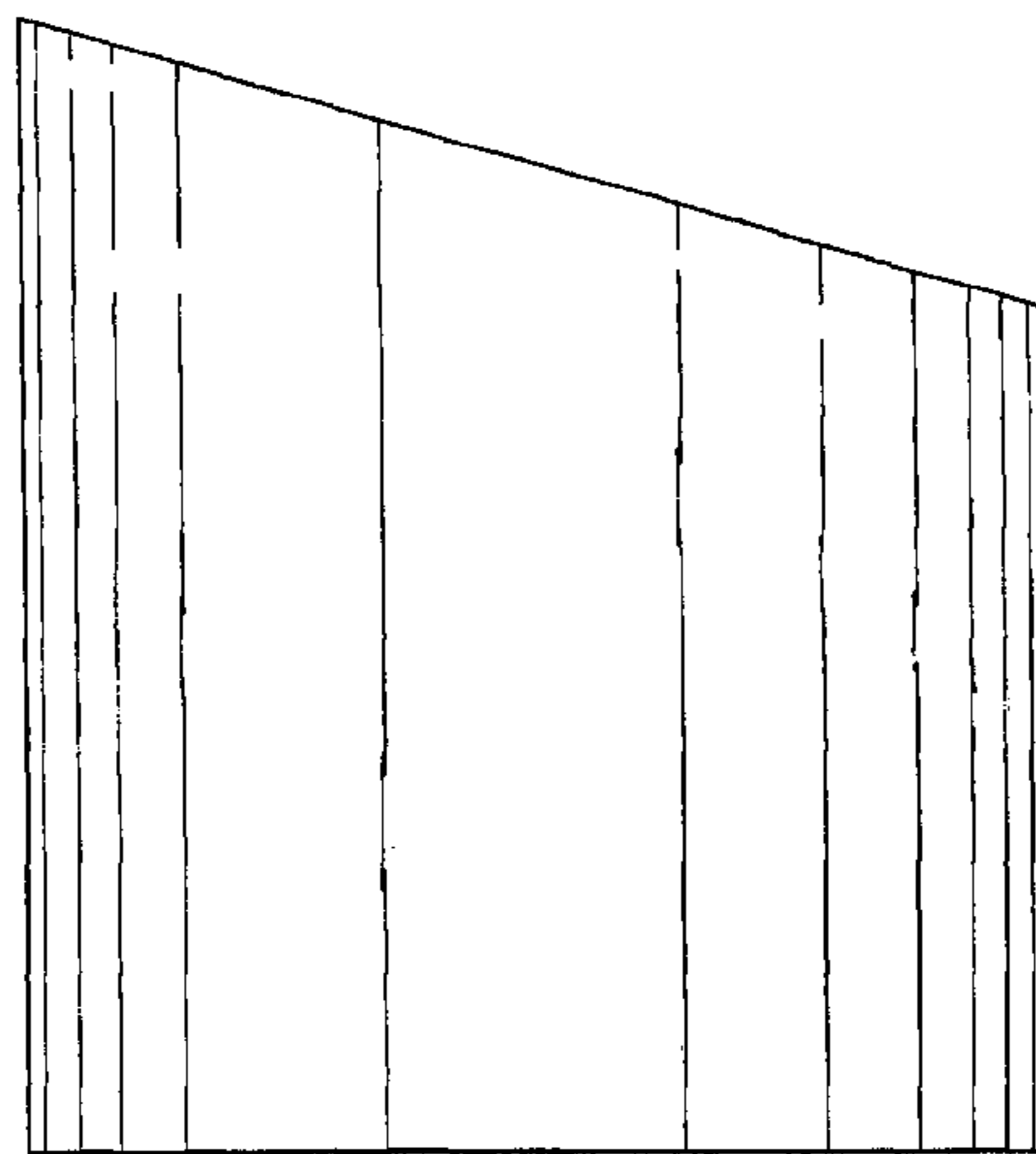
FIG. 9 is a bottom perspective view thereof;

FIG. 10 is a side elevational of a glass having a semi-spherical base protrusion showing a fifth embodiment of my new design, the opposite side being a mirror image thereof;

FIG. 11 is a top plan view of embodiments 4, 5, and 6; and,

FIG. 12 is a bottom plan view of a glass with a conical protrusion showing a sixth embodiment of my new design where the side looks like FIG. 8 except that the sixth embodiment has a conical protrusion.

1 Claim, 12 Drawing Sheets



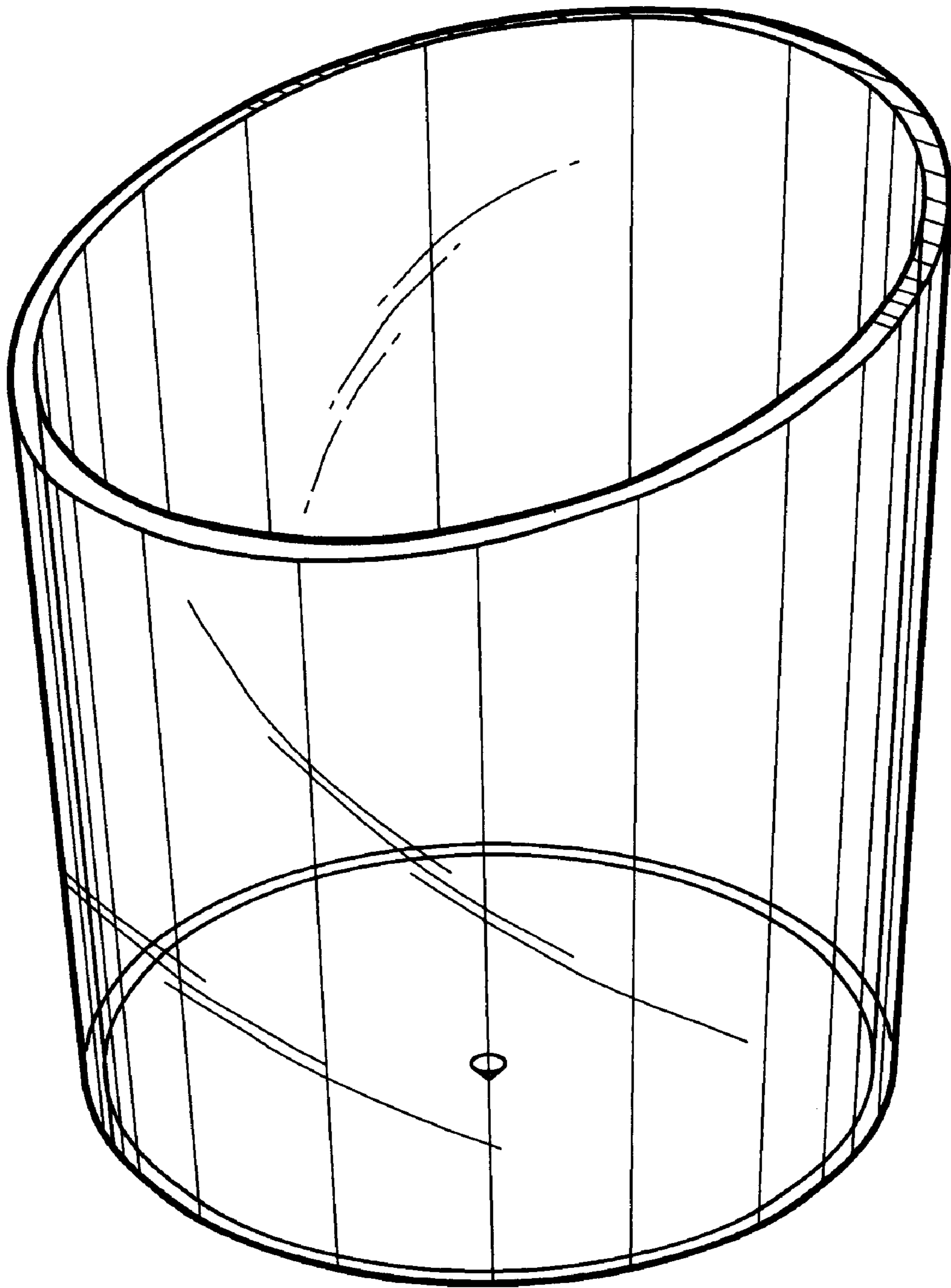


FIG. 1

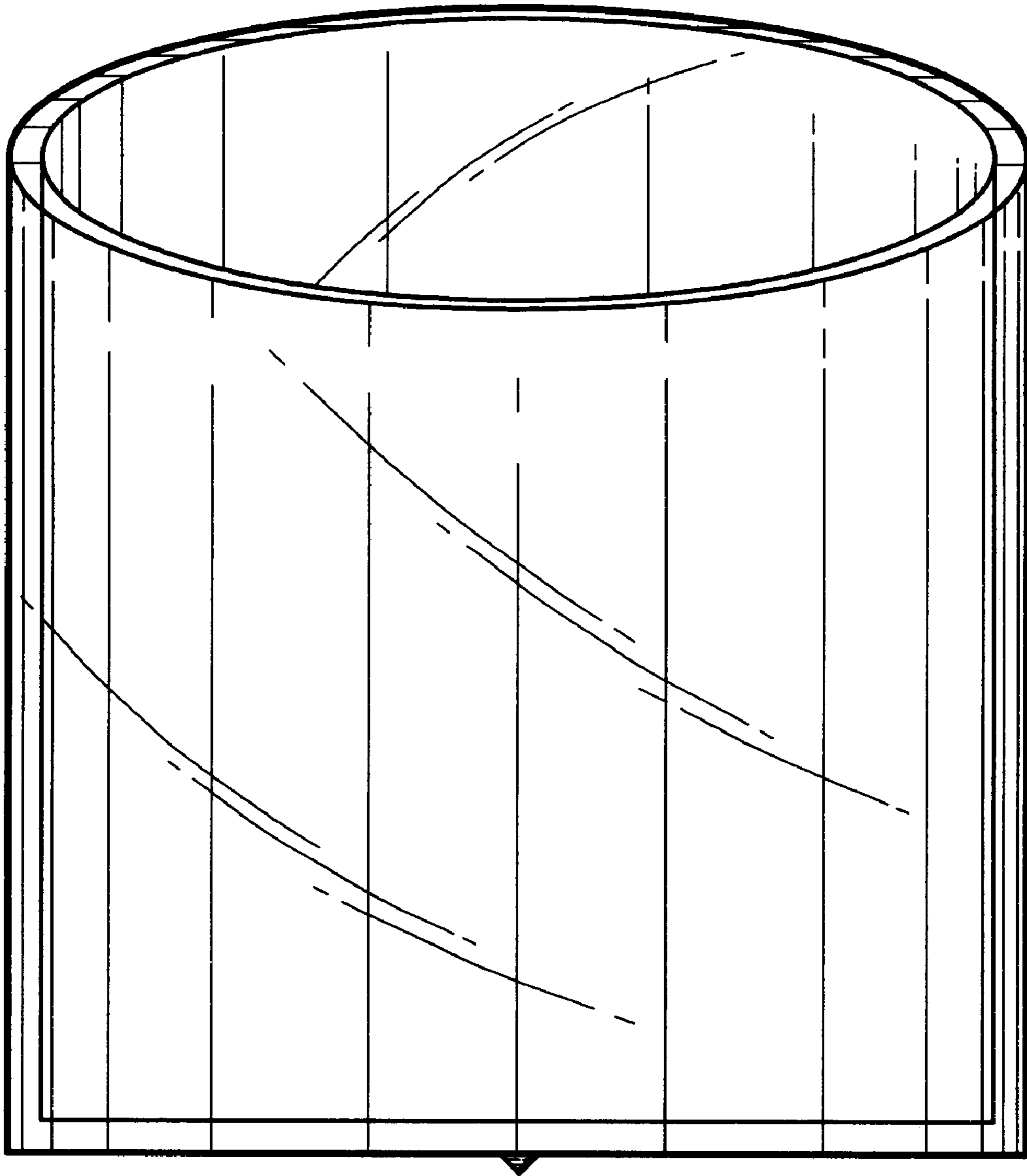


FIG. 2

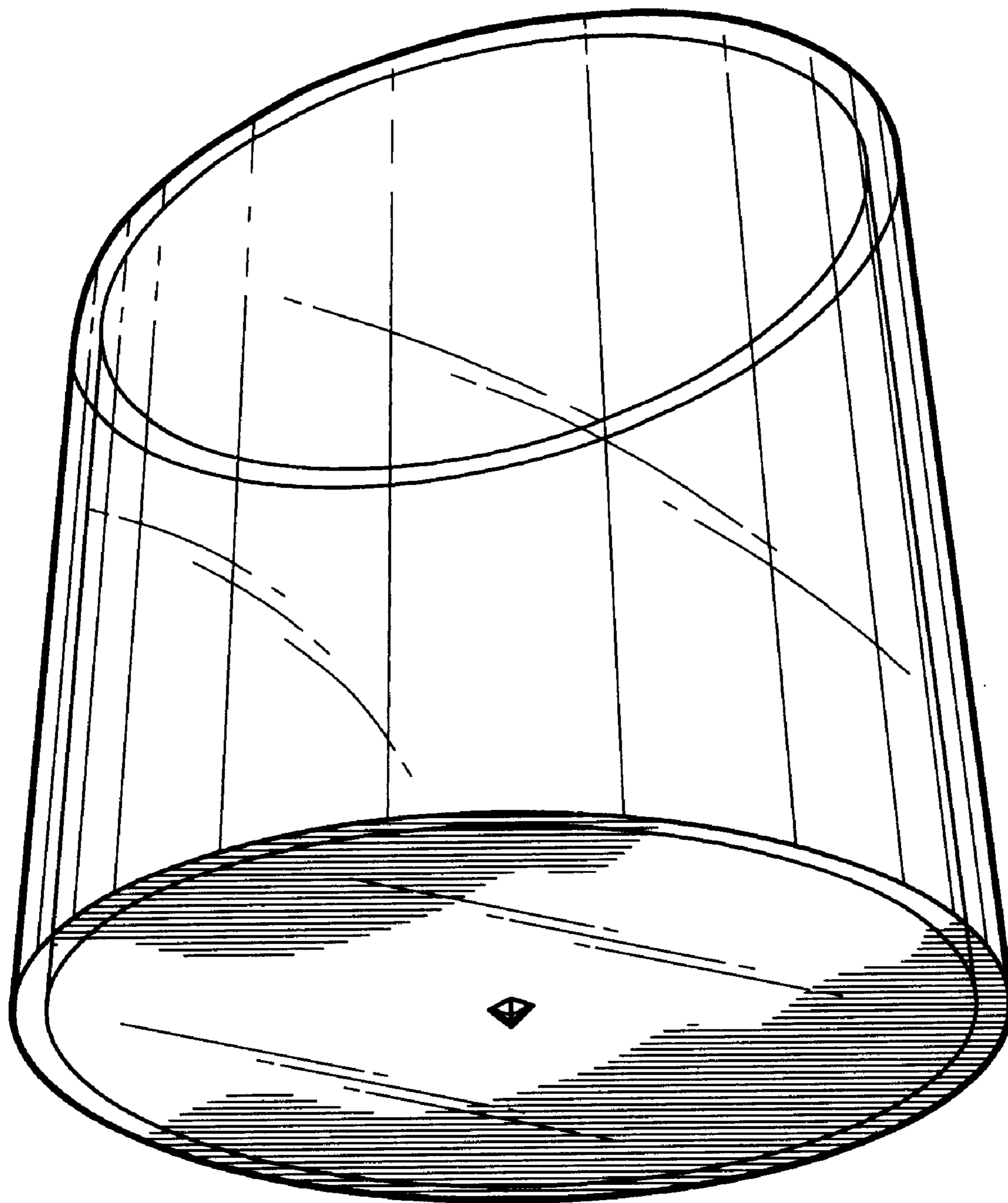


FIG. 3

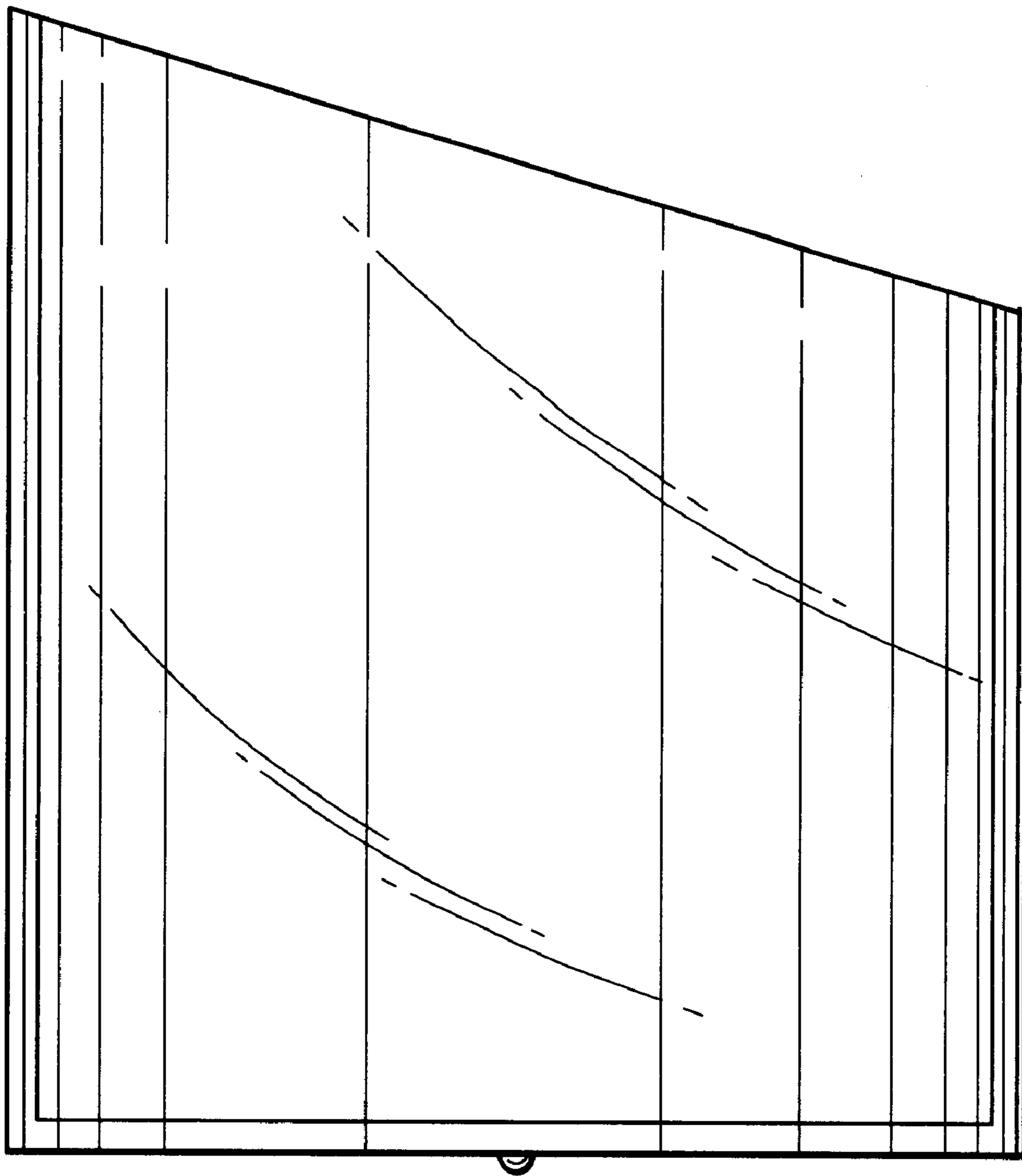


FIG.4

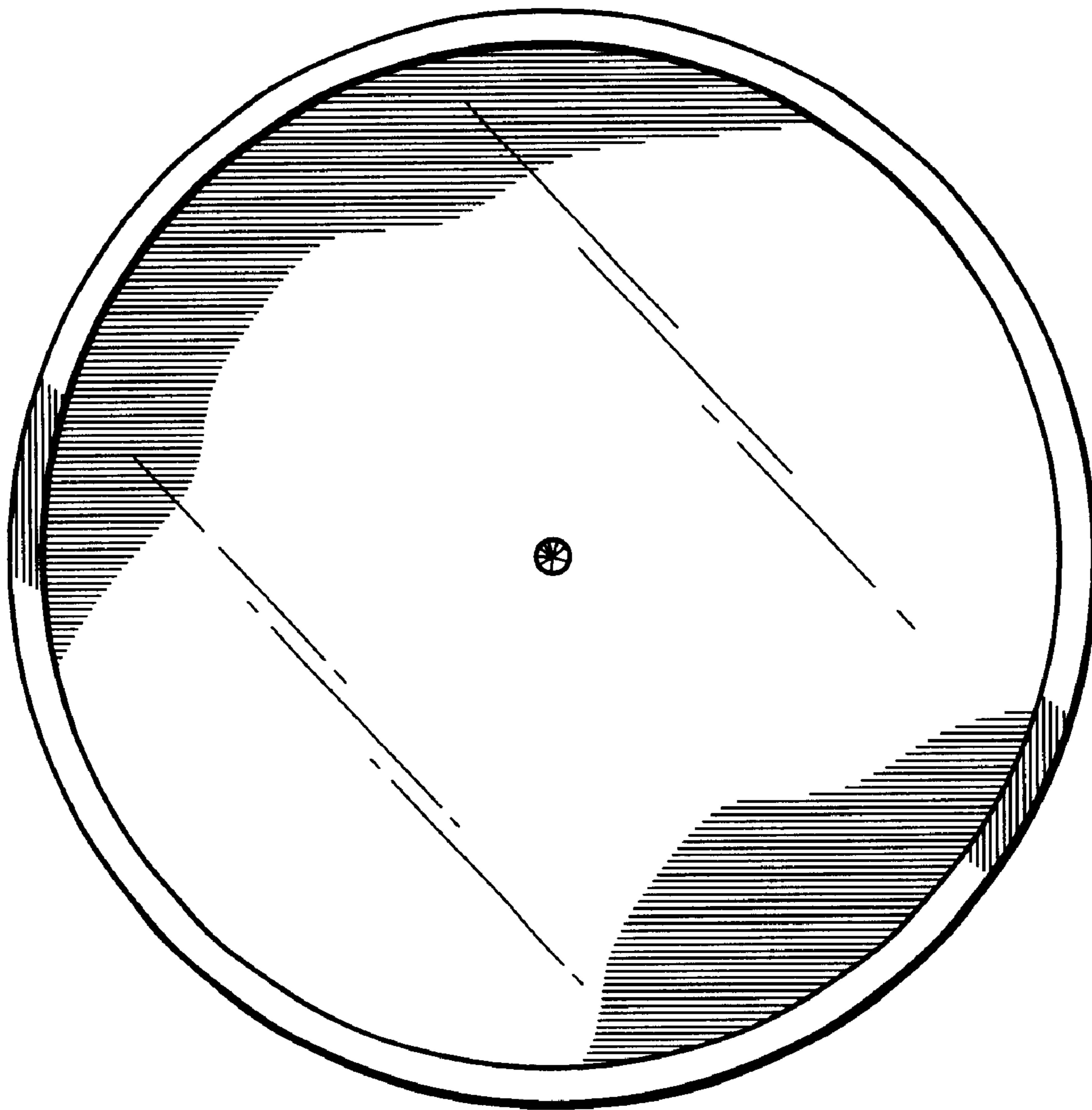


FIG. 5

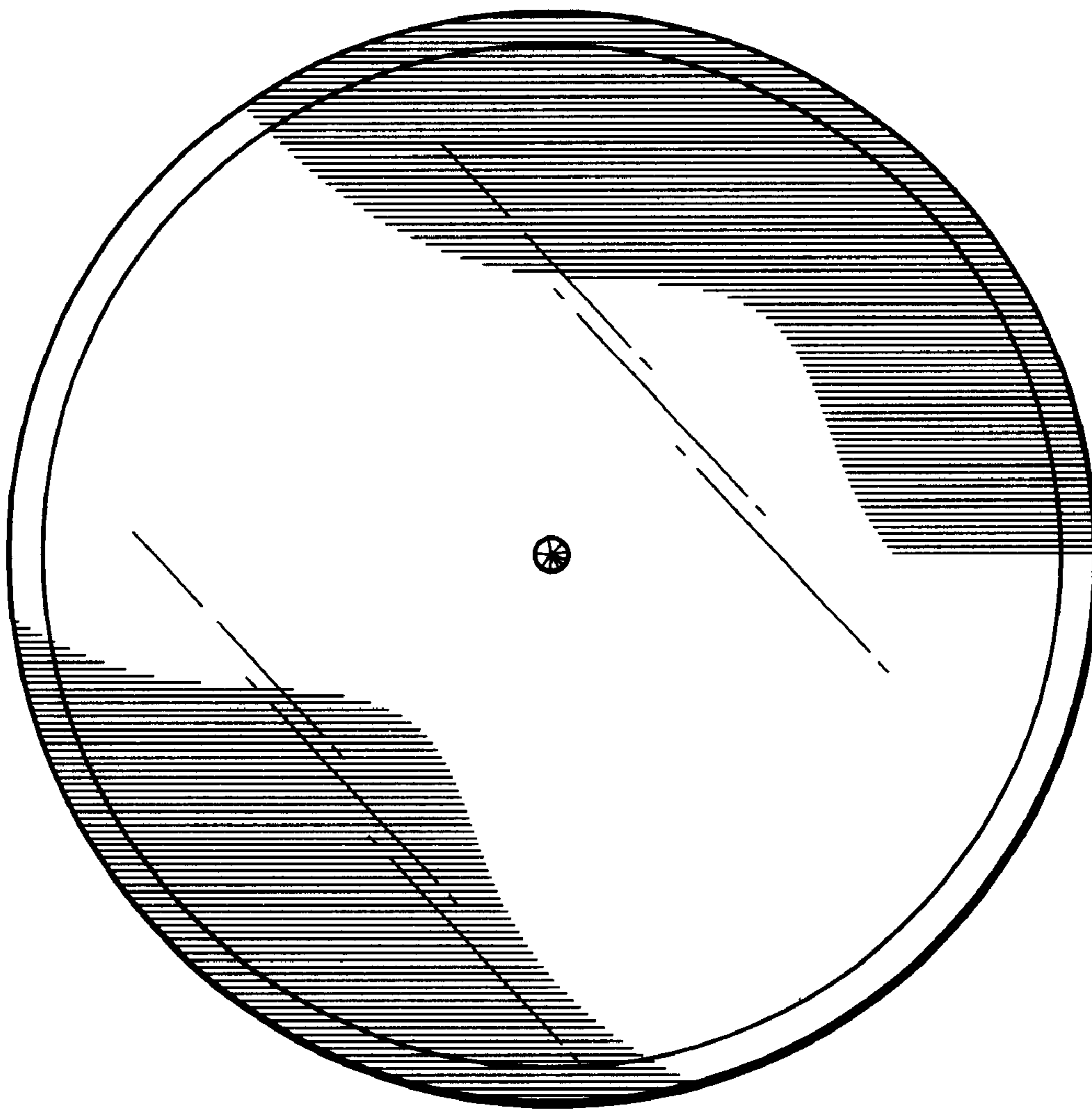


FIG. 6

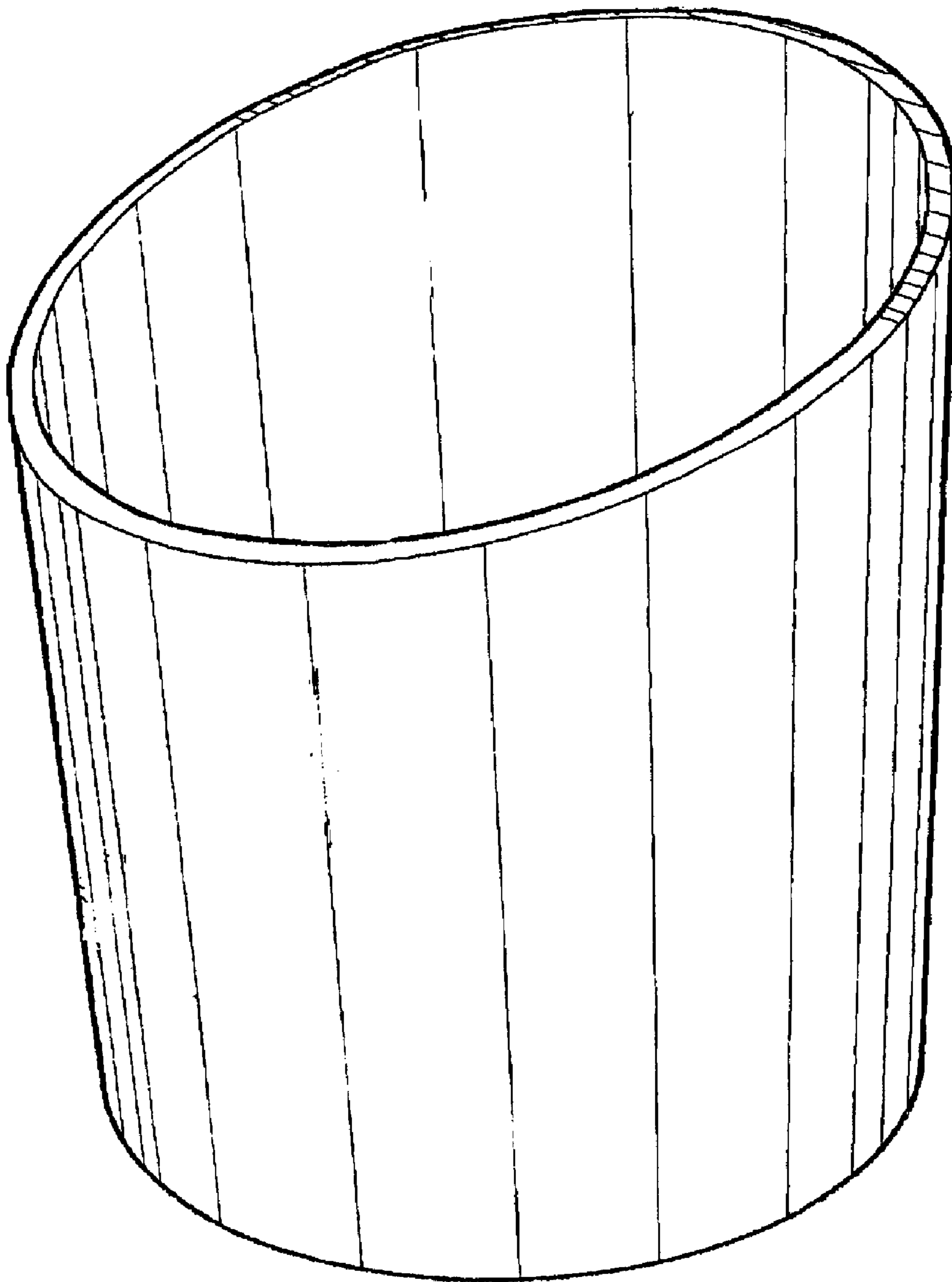


FIG. 7

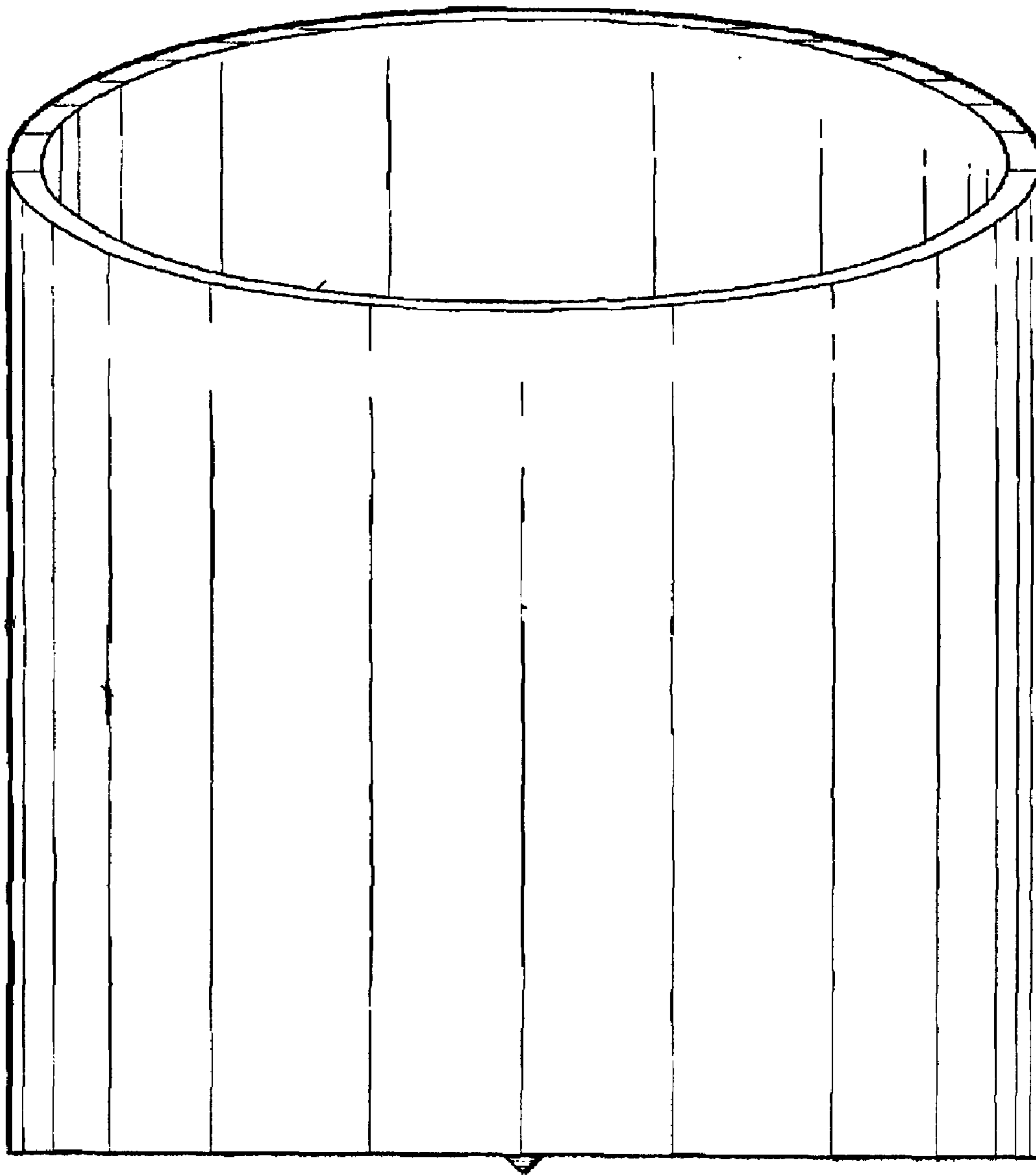


FIG. 8

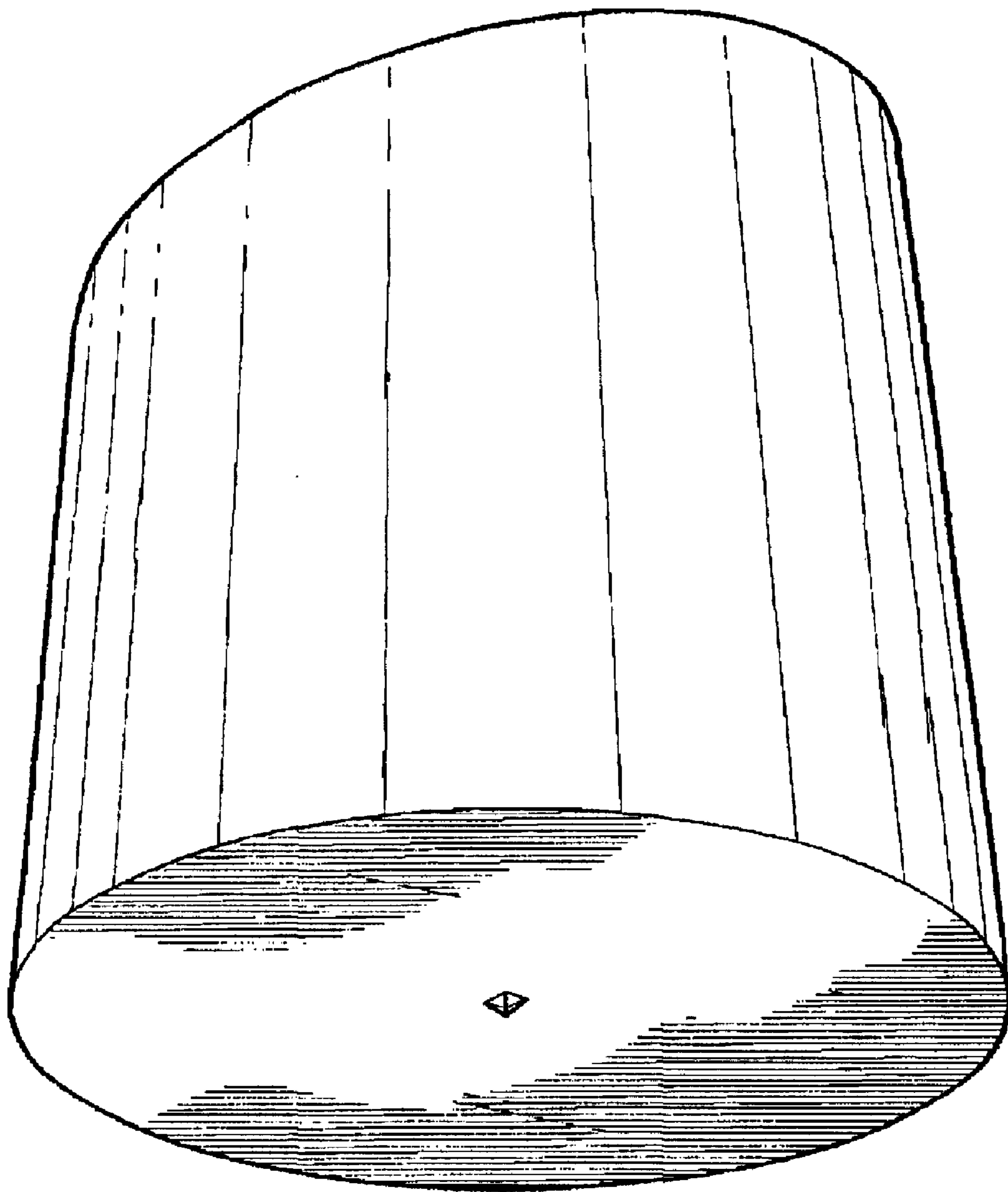


FIG. 9

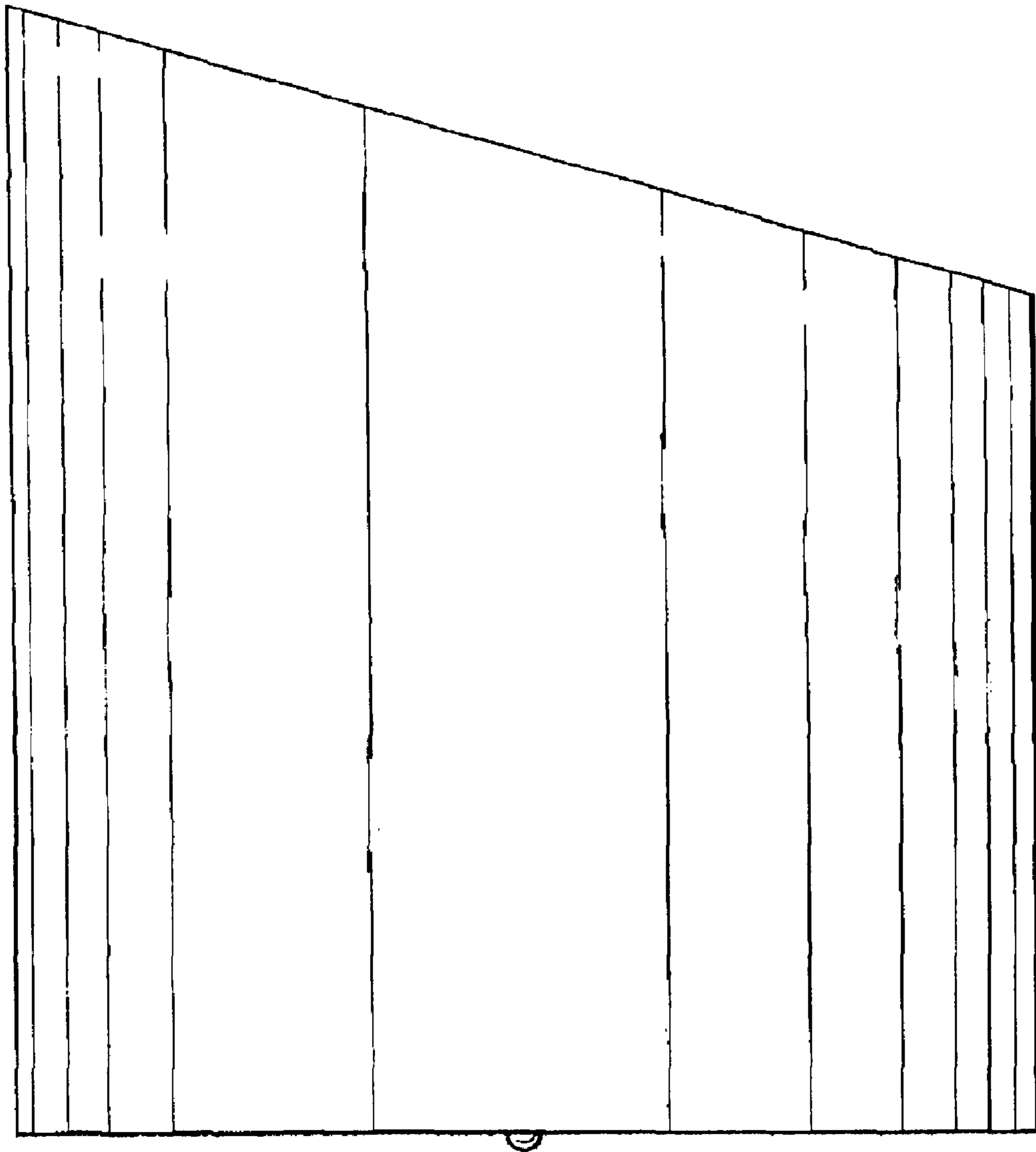


FIG. 10

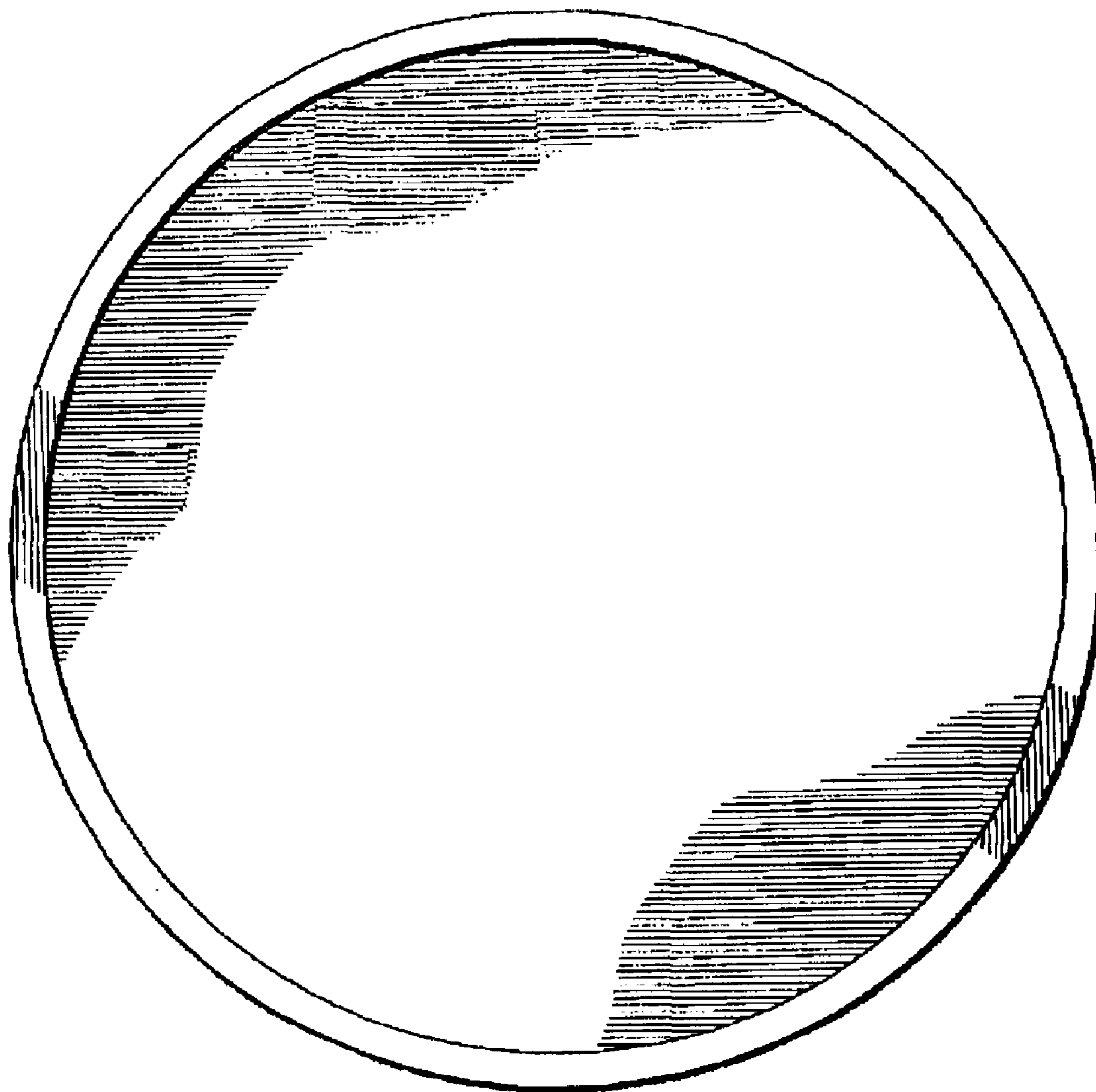


FIG. 11

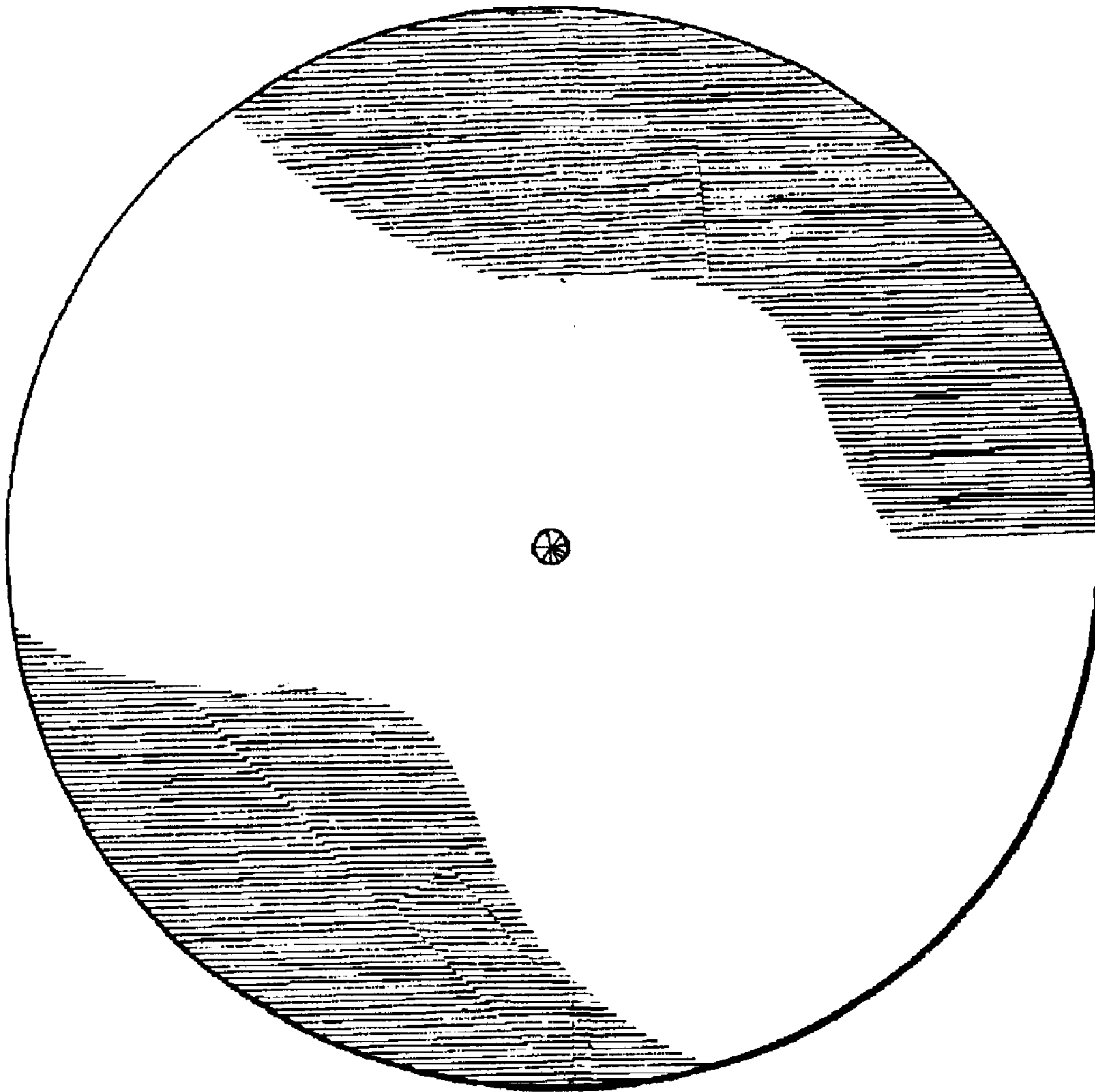


FIG. 12