

US00D540619S

(12) **United States Design Patent**  
**Kim**

(10) **Patent No.:** **US D540,619 S**

(45) **Date of Patent:** **\*\* Apr. 17, 2007**

(54) **UNDERCOVER FOR ELECTRONIC OVEN**

(75) Inventor: **Kang-Doo Kim**, Seoul (KR)

(73) Assignee: **Samsung Electronics Co., Ltd.**,  
Kyunggi-do (KR)

(\*\*) Term: **14 Years**

(21) Appl. No.: **29/265,882**

(22) Filed: **Sep. 11, 2006**

(51) **LOC (8) Cl.** ..... **07-02**

(52) **U.S. Cl.** ..... **D7/405**

(58) **Field of Classification Search** ..... D7/339-341,  
D7/346-349, 402, 405-407; 126/21 A, 39 B,  
126/39 R; 219/391-392, 400, 449-450; D23/351,  
D23/371, 372, 385

See application file for complete search history.

(56) **References Cited**

U.S. PATENT DOCUMENTS

D312,685 S	*	12/1990	Fleming et al.	.....	D23/372
D315,204 S	*	3/1991	Fleming et al.	.....	D23/372
D318,111 S	*	7/1991	Galassi	.....	D23/372
D345,785 S	*	4/1994	Saito et al.	.....	D23/351
D380,256 S	*	6/1997	Aihara et al.	.....	D23/351
D443,351 S	*	6/2001	Strand et al.	.....	D23/372

D451,587 S	*	12/2001	Goulet	.....	D23/372
D483,846 S	*	12/2003	Kudo	.....	D23/372
D484,231 S	*	12/2003	Kudo	.....	D23/372
D487,505 S	*	3/2004	Grobleben	.....	D23/371
D510,996 S	*	10/2005	Vladika	.....	D23/385
D513,065 S	*	12/2005	Luong	.....	D7/406
D525,483 S	*	7/2006	Schutts	.....	D7/407

\* cited by examiner

*Primary Examiner*—Louis Zarfaz

*Assistant Examiner*—Mark Cavanna

(74) *Attorney, Agent, or Firm*—Flynn, Thiel, Boutell & Tanis, P.C.

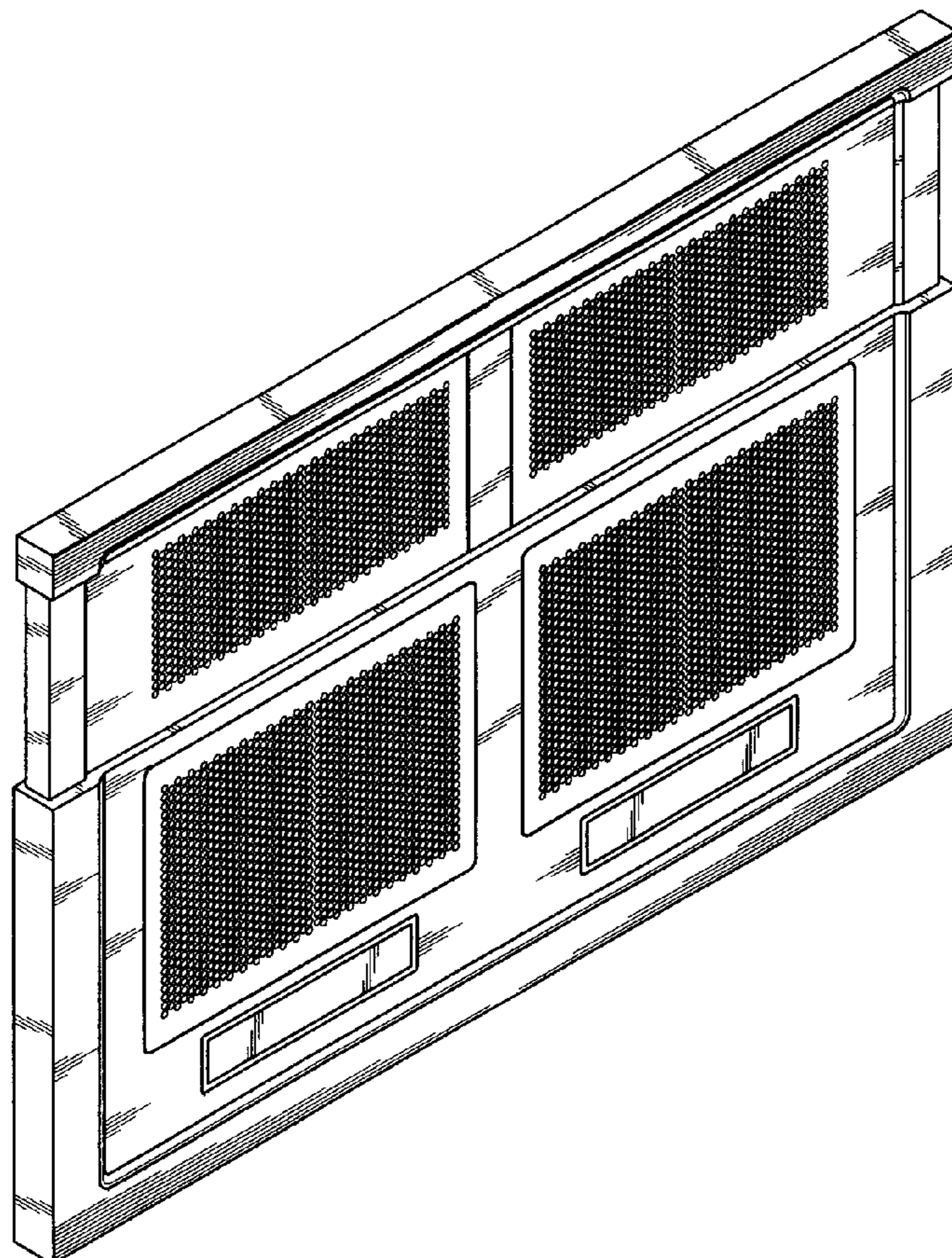
(57) **CLAIM**

The ornamental design for a undercover for electronic oven, as shown and described.

**DESCRIPTION**

FIG. 1 is a top front perspective view of a undercover for electronic oven showing our new design; FIG. 2 is a front elevational view thereof; FIG. 3 is a rear elevational view thereof; FIG. 4 is a left side elevational view, the right side being symmetrical thereof; FIG. 5 is a top plan view thereof; and, FIG. 6 is a bottom plan view thereof.

**1 Claim, 4 Drawing Sheets**



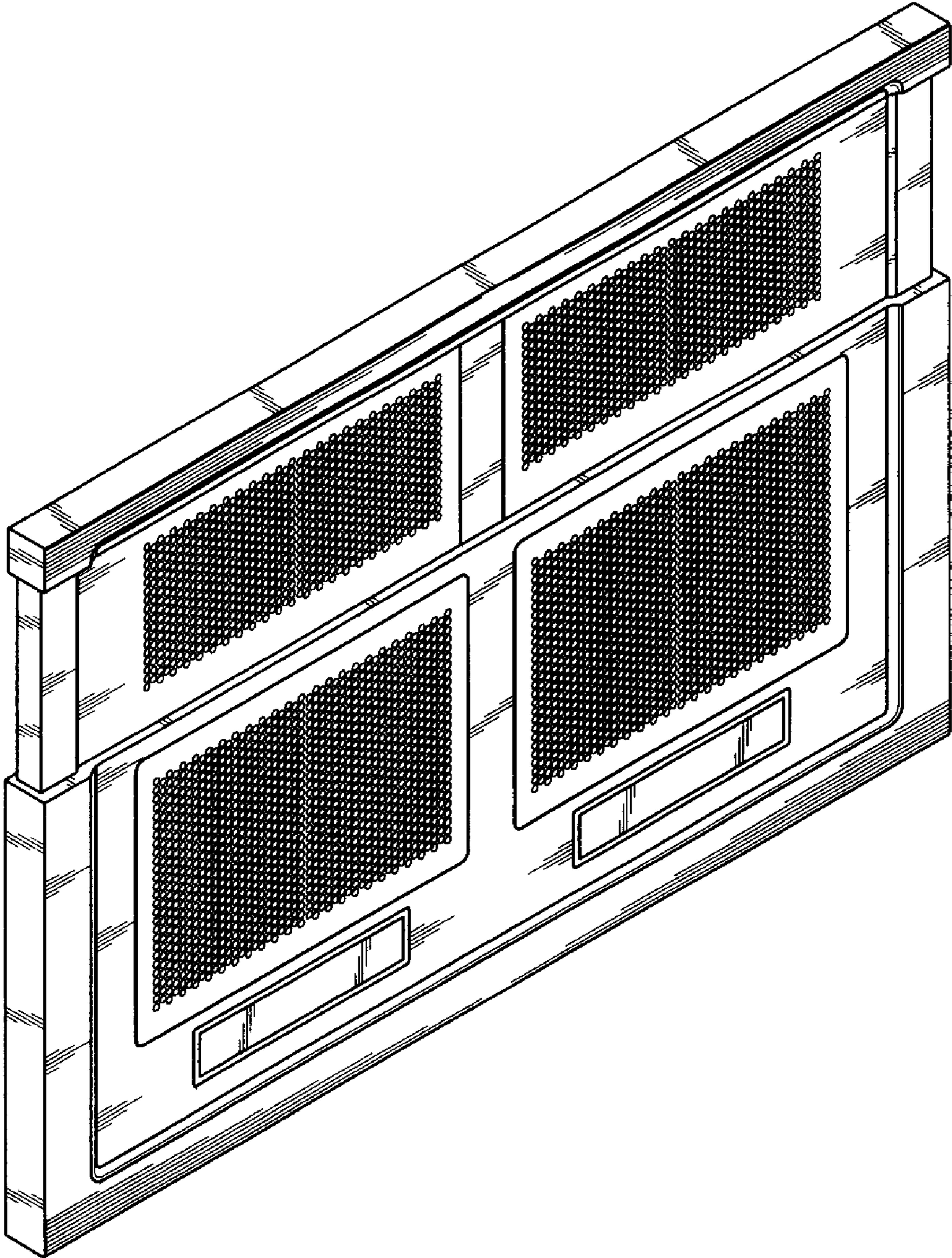


FIG. 1

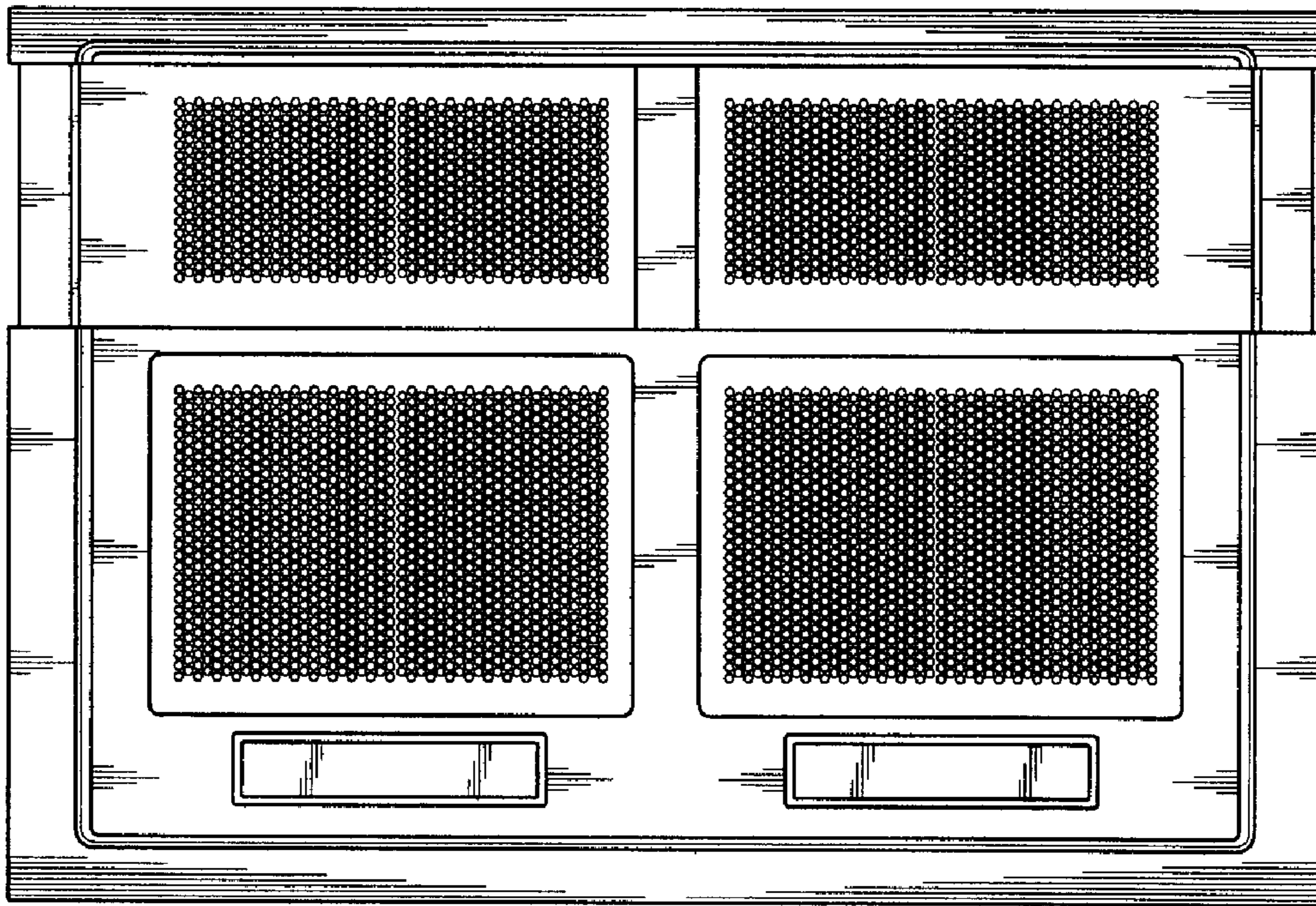


FIG. 2

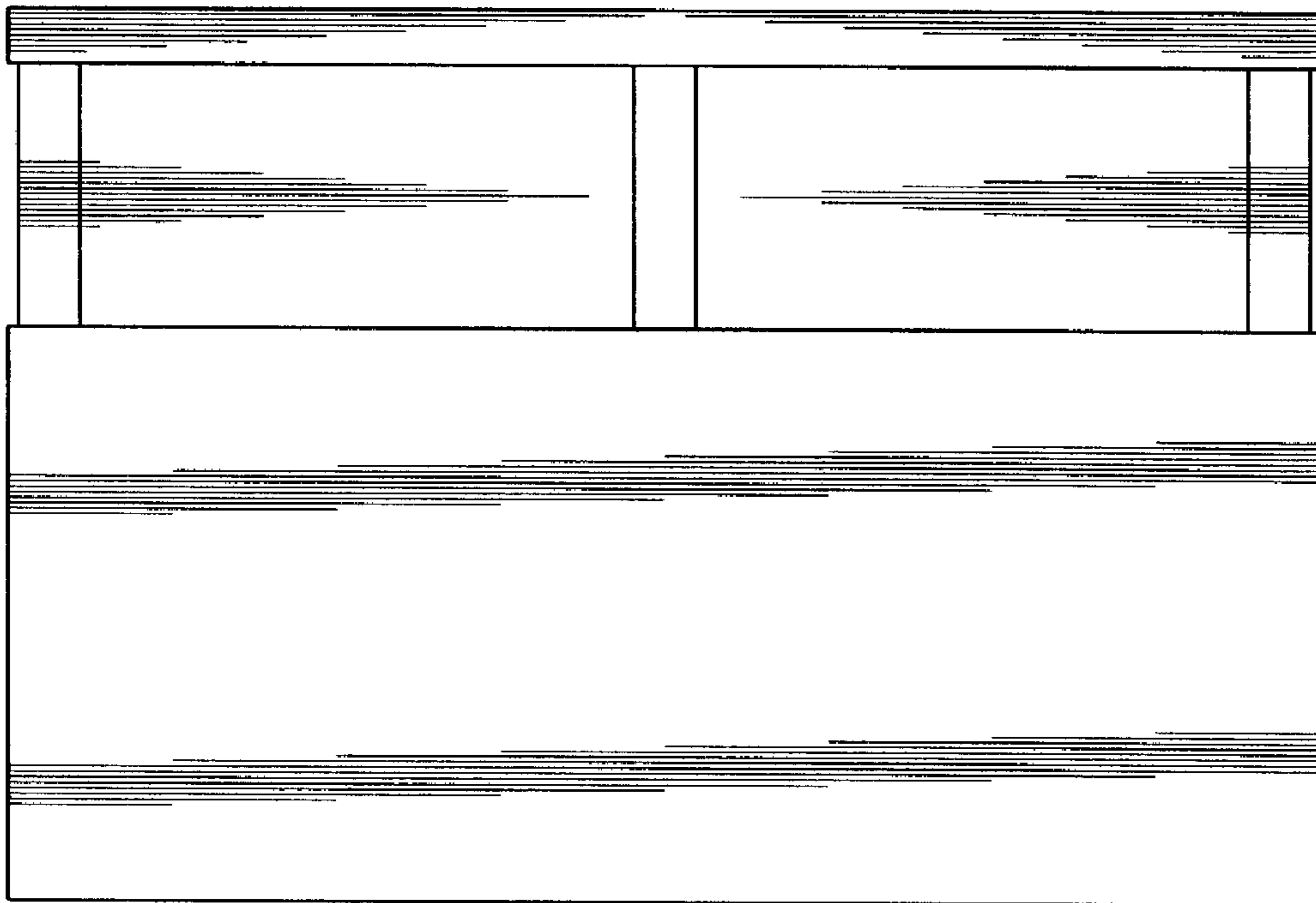


FIG. 3

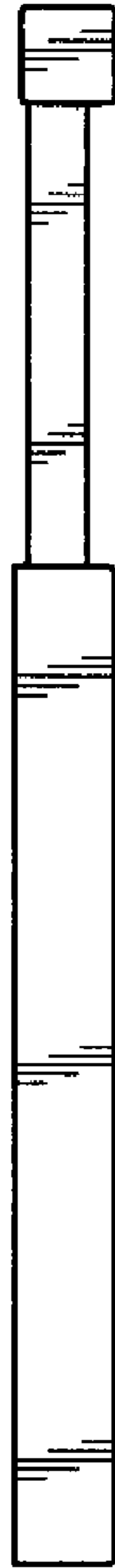


FIG. 4



FIG. 5



FIG. 6