

US00D540613S

(12) **United States Design Patent**
Jeon

(10) **Patent No.:** **US D540,613 S**
(45) **Date of Patent:** **** Apr. 17, 2007**

(54) **ELECTRONIC OVEN**

D525,075 S * 7/2006 Jeon D7/350.1
D525,477 S 7/2006 Kim
D530,561 S * 10/2006 Kim D7/351

(75) Inventor: **Sei-II Jeon**, Seoul (KR)

(73) Assignee: **Samsung Electronics Co., Ltd.**,
Kyunggi-do (KR)

(**) Term: **14 Years**

(21) Appl. No.: **29/266,194**

(22) Filed: **Sep. 15, 2006**

(51) **LOC (8) Cl.** **07-02**

(52) **U.S. Cl.** **D7/350.1**

(58) **Field of Classification Search** D7/350.1,
D7/350.3, 350.4, 351, 402-403, 405-406;
126/19 M, 275 E, 273 A; 219/756-758, 391,
219/402, 393; 99/DIG. 14

See application file for complete search history.

(56) **References Cited**

U.S. PATENT DOCUMENTS

D276,122 S * 10/1984 Tanaka et al. D7/351
D318,396 S * 7/1991 Jung D7/351
D439,468 S * 3/2001 Kim D7/351
D442,820 S * 5/2001 Kim D7/351
D481,582 S * 11/2003 Seum et al. D7/350.1
D522,801 S * 6/2006 Lee D7/351

OTHER PUBLICATIONS

U.S. Appl. No. 29/266,201, Applicant: Sei-II Jeon filed Sep. 15, 2006 entitled Oven.

* cited by examiner

Primary Examiner—Ruth McInroy

(74) *Attorney, Agent, or Firm*—Flynn, Thiel, Boutell & Tanis, P.C.

(57) **CLAIM**

The ornamental design for a electronic oven, as shown and described.

DESCRIPTION

FIG. 1 is a top, front perspective view of an electronic oven showing our new design;

FIG. 2 is a front elevational view thereof;

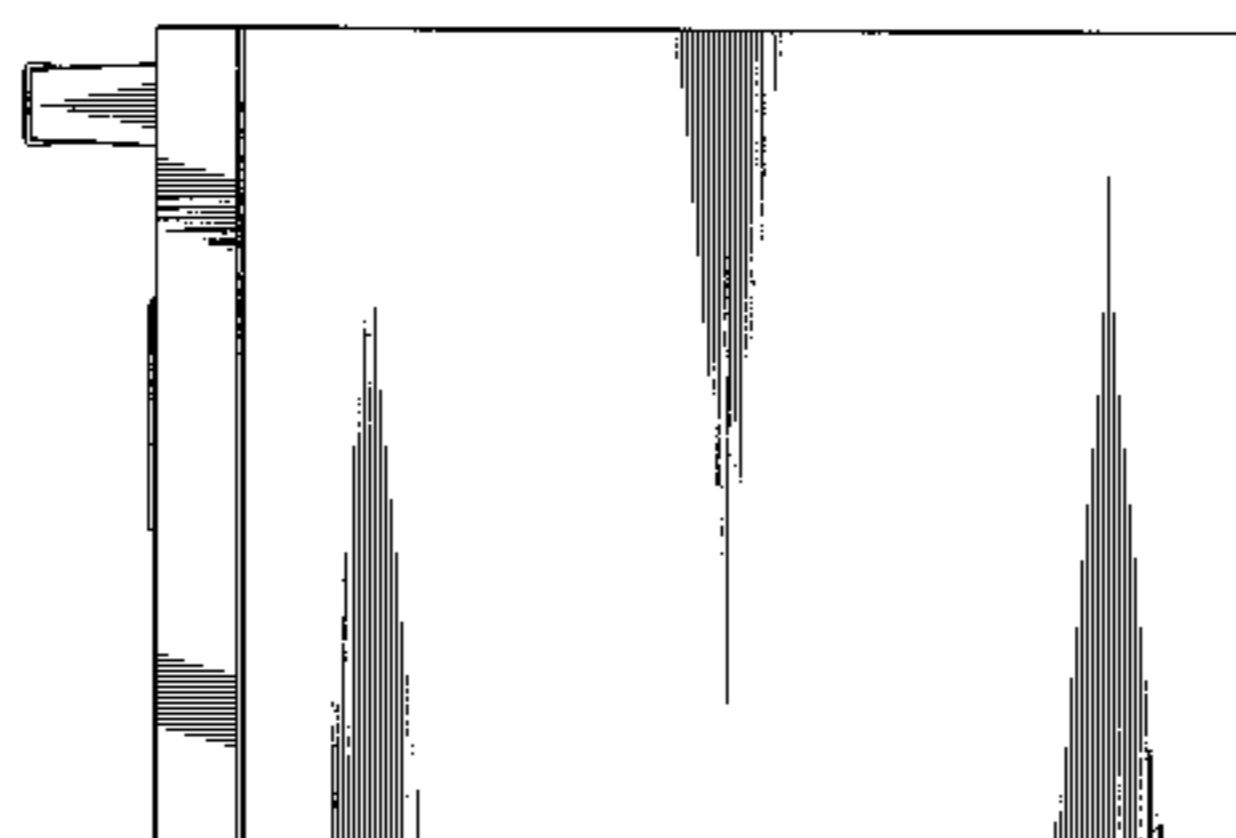
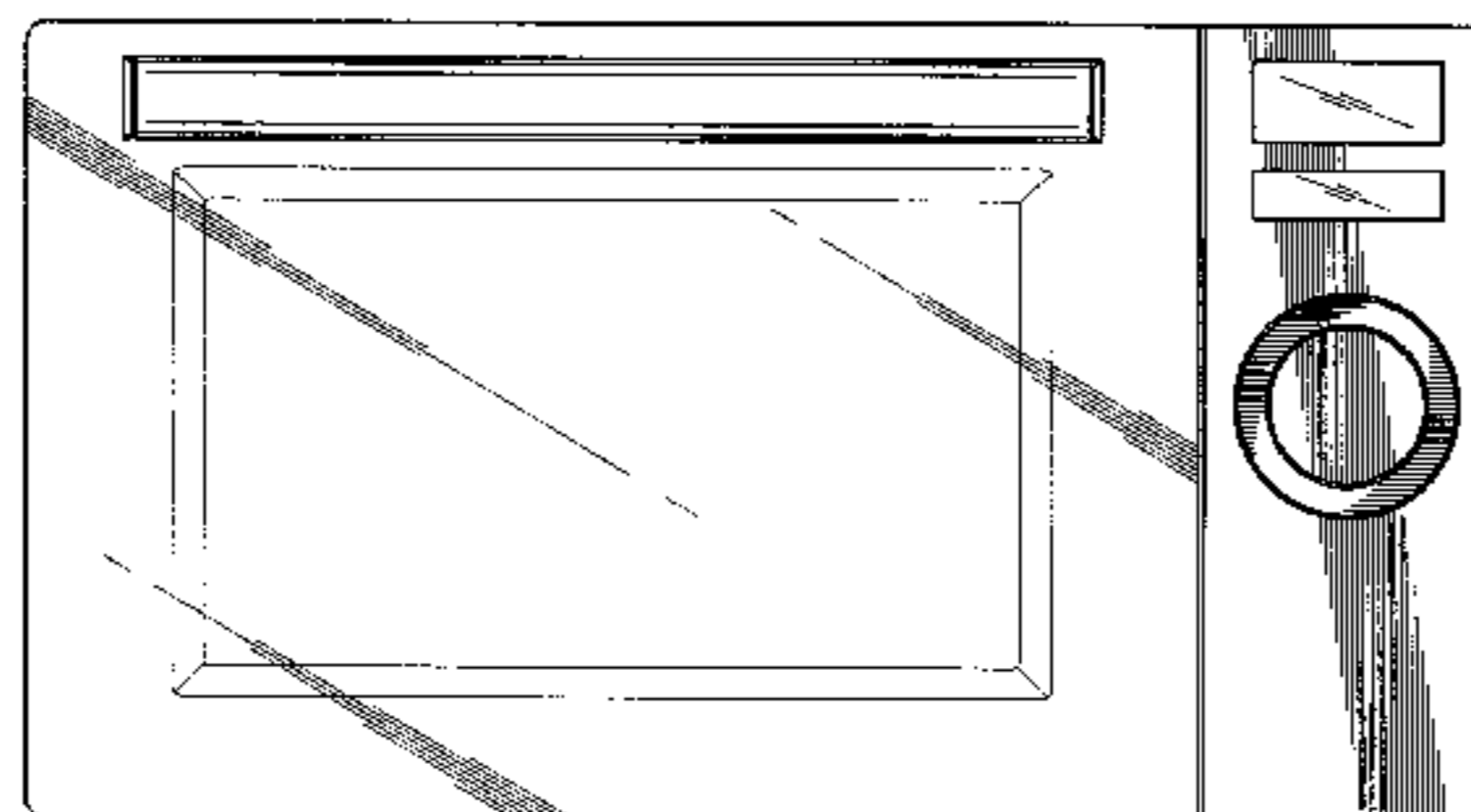
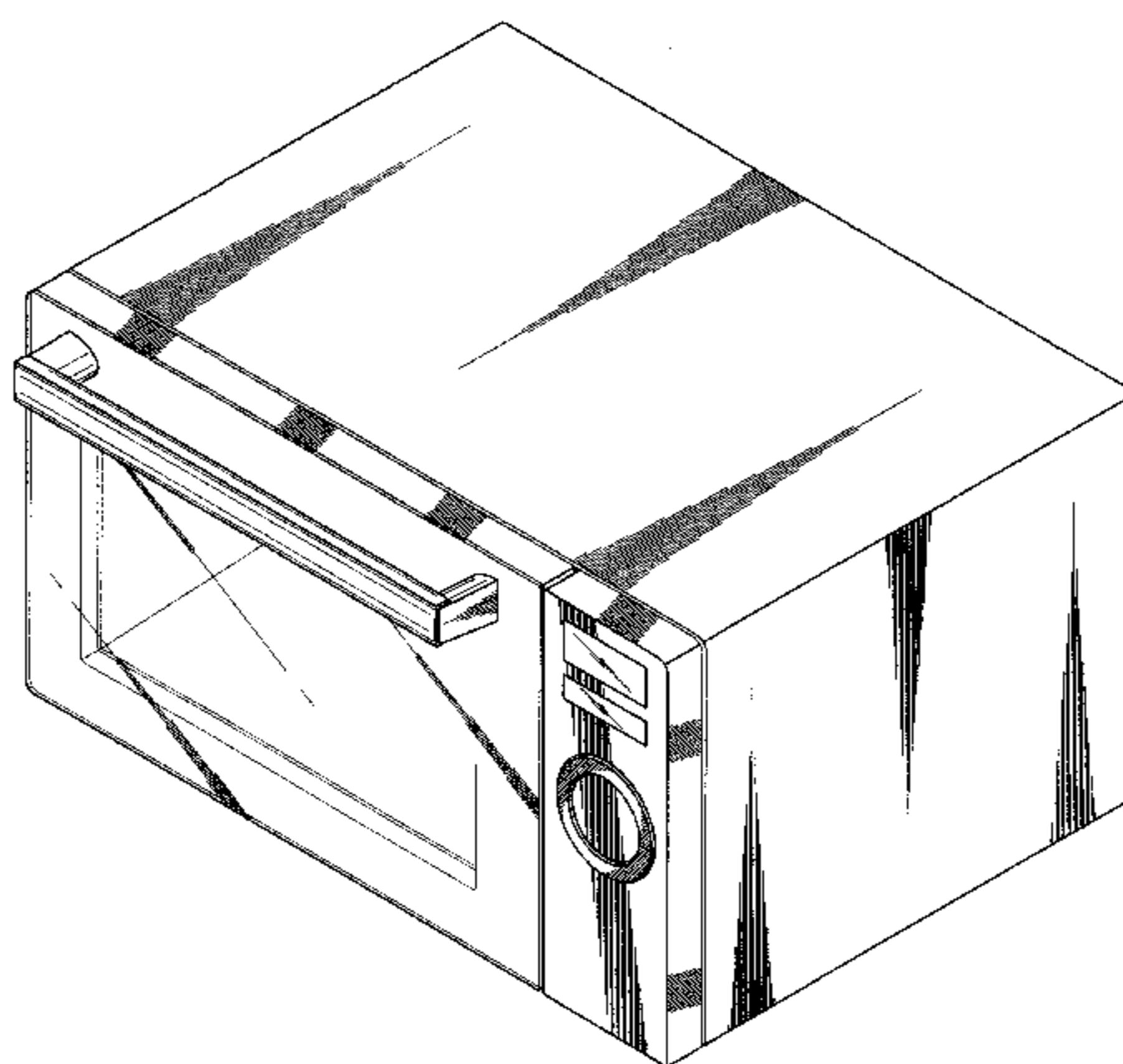
FIG. 3 is a rear elevational view thereof;

FIG. 4 is a left side elevational view thereof;

FIG. 5 is a right side elevational view thereof; and,

FIG. 6 is a top plan view thereof.

1 Claim, 4 Drawing Sheets



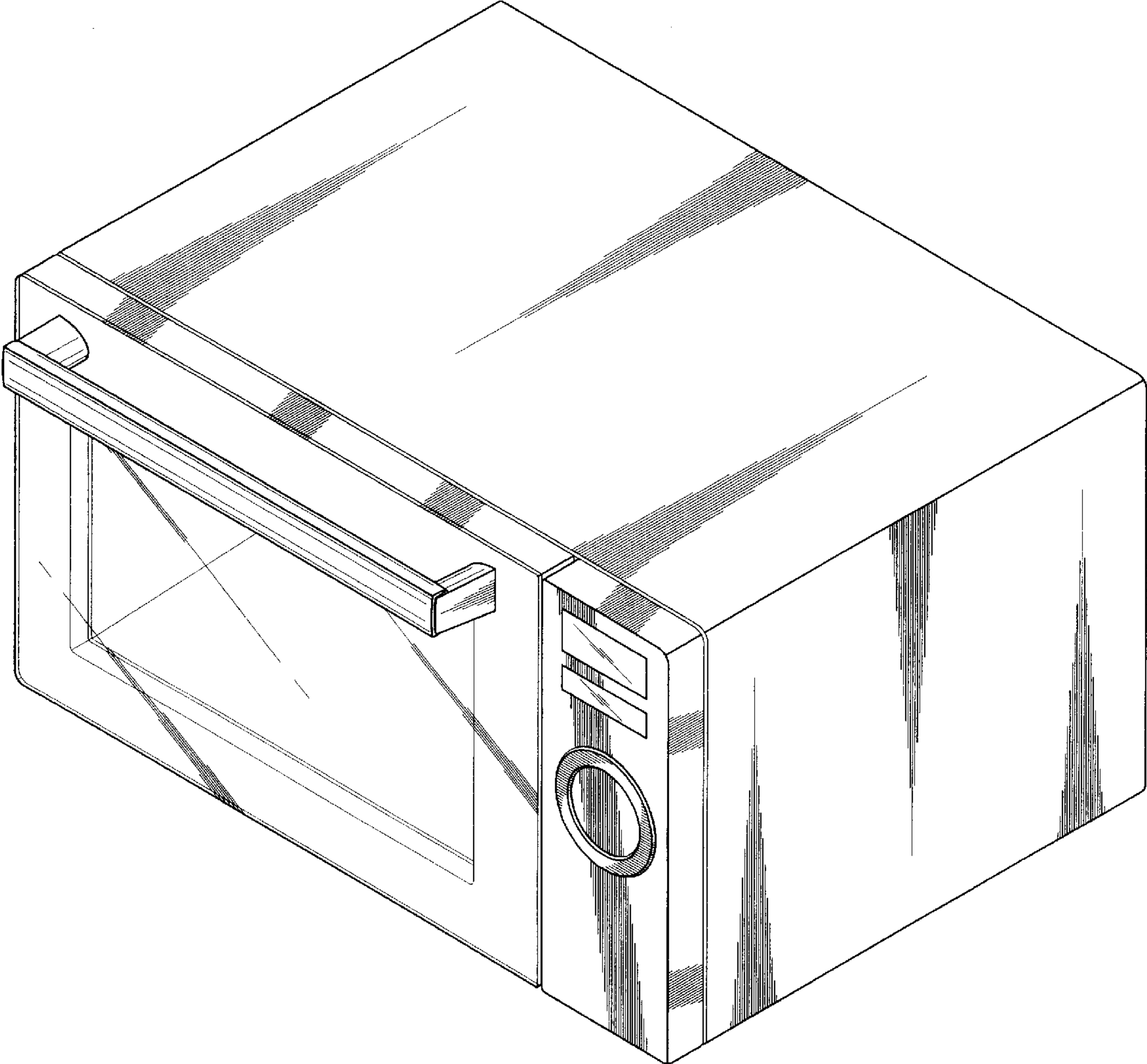


FIG. 1

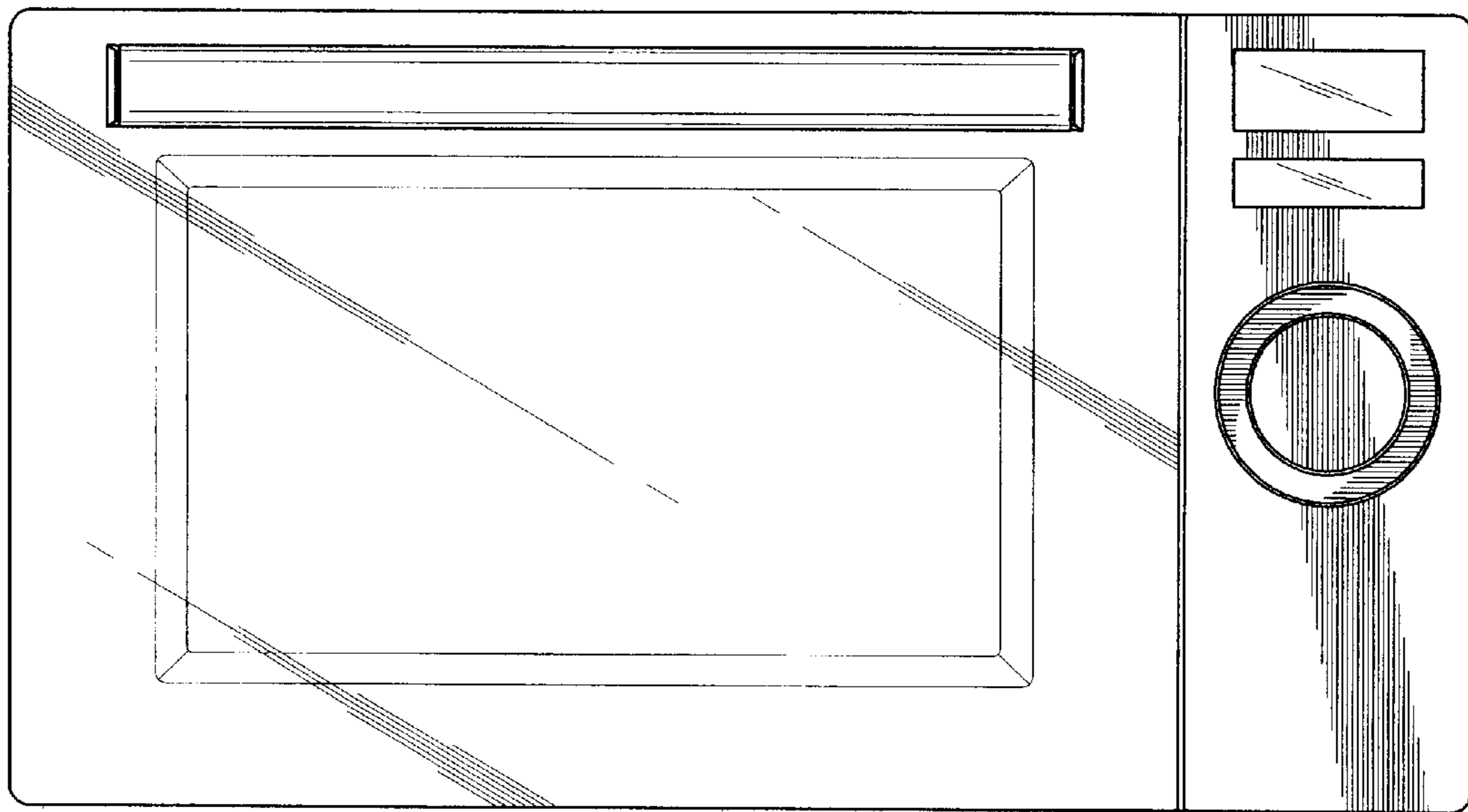


FIG. 2

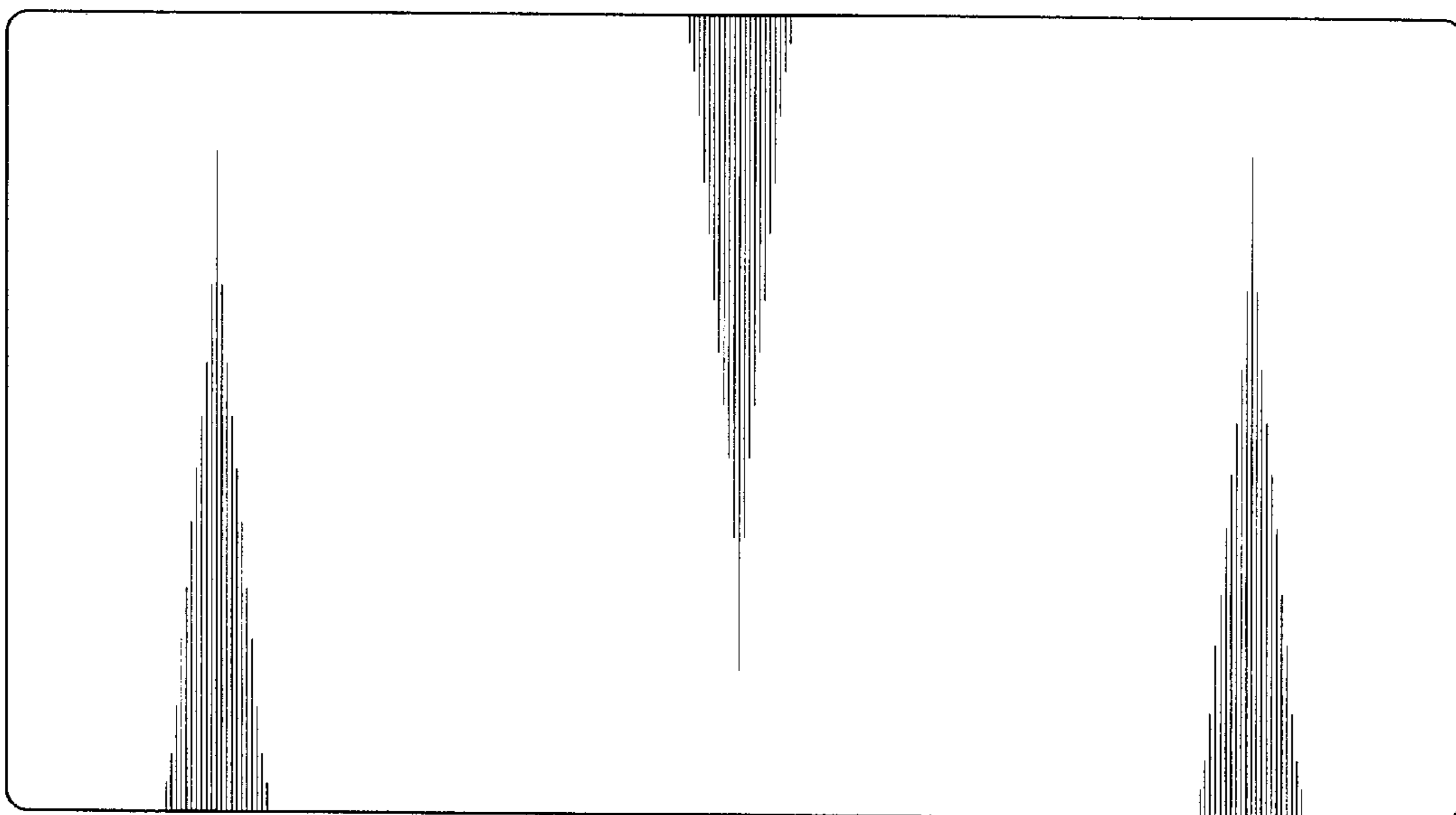


FIG. 3

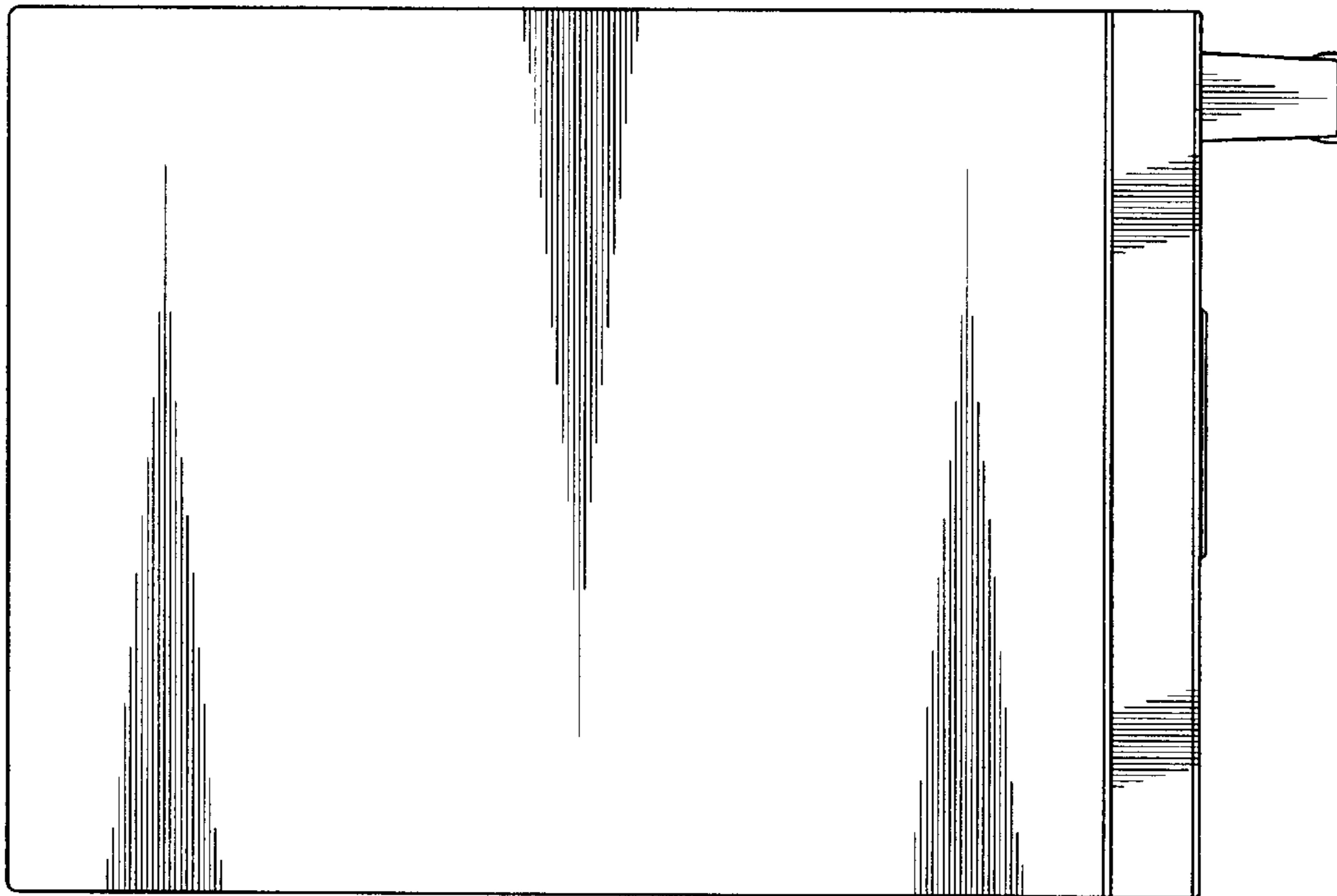


FIG. 4

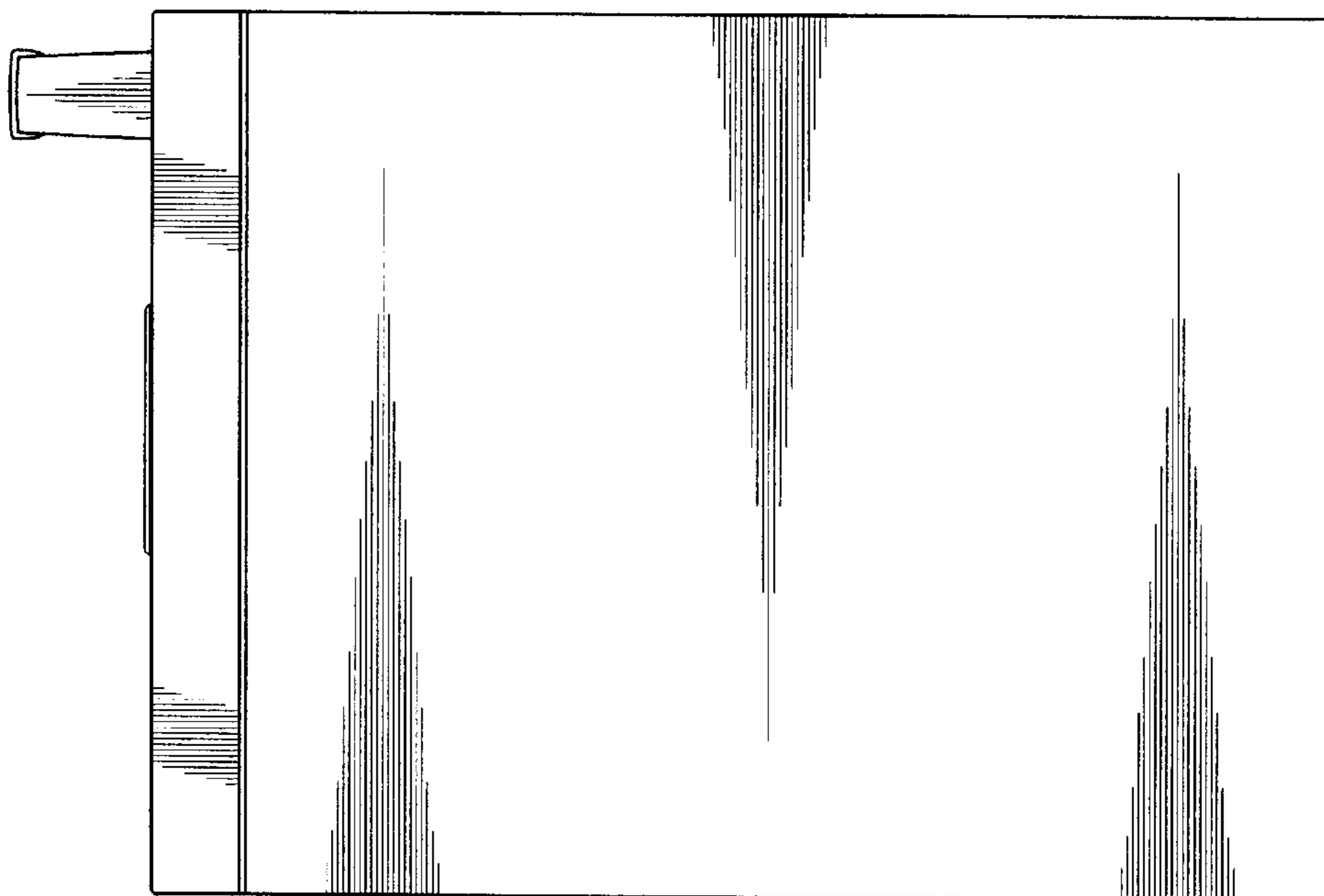


FIG. 5

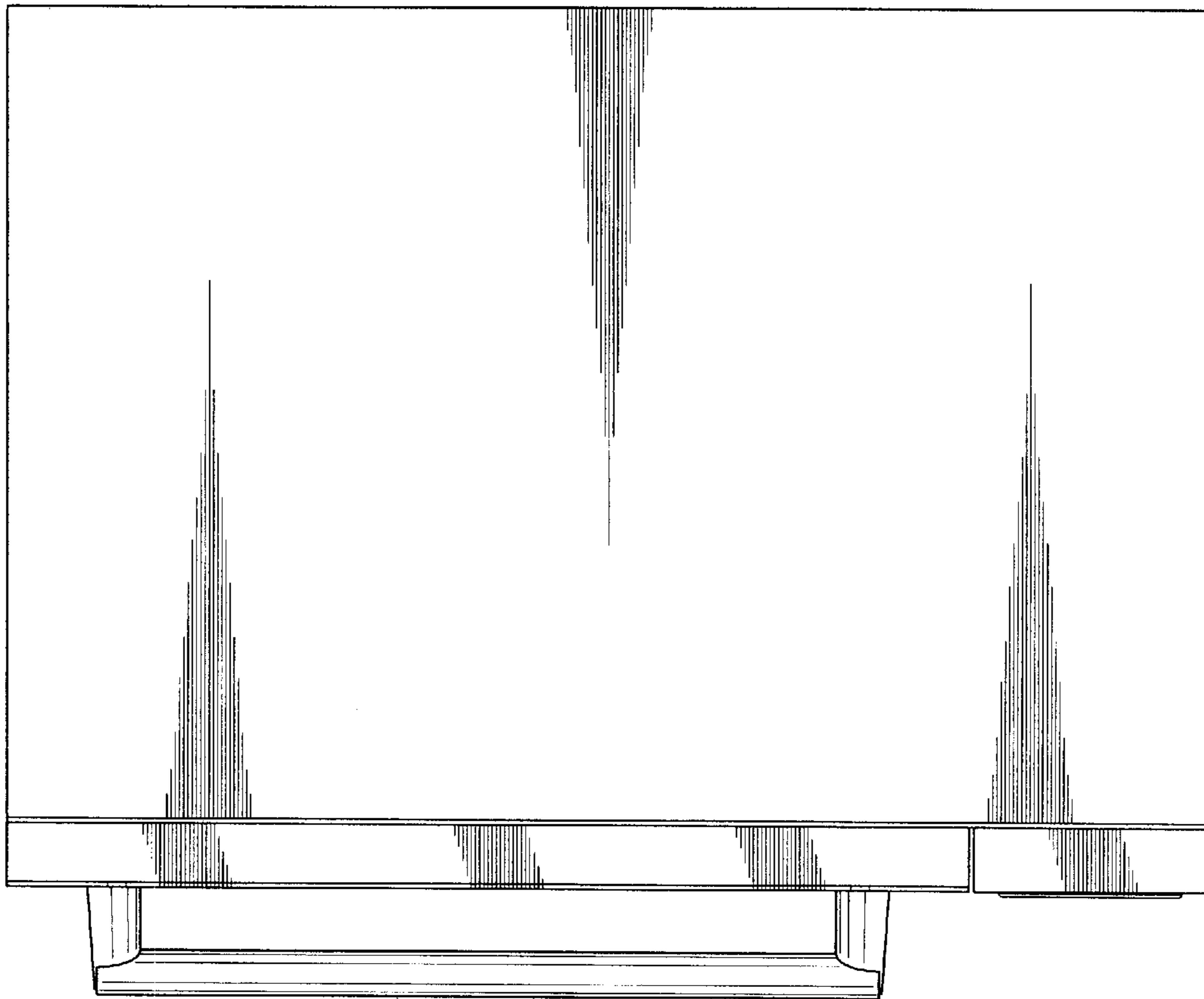


FIG. 6