

US00D540611S

(12) **United States Design Patent**
Jensen et al.

(10) **Patent No.:** **US D540,611 S**

(45) **Date of Patent:** **** Apr. 17, 2007**

(54) **COOKTOP**

(75) Inventors: **Michael Hamish Jensen**, Dunedin
(NZ); **Lindsay George Graham**, Otago
(NZ)

(73) Assignee: **Fisher & Paykel Appliances Limited**,
Auckland (NZ)

(**) **Term:** **14 Years**

(21) Appl. No.: **29/260,628**

(22) Filed: **May 30, 2006**

(30) **Foreign Application Priority Data**

Dec. 19, 2005 (NZ) 406950

(51) **LOC (8) Cl.** **07-02**

(52) **U.S. Cl.** **D7/346**

(58) **Field of Classification Search** D7/339-341,
D7/346-348, 402-407; 219/445, 445.1, 448.11,
219/453; 126/39 R, 214 R, 41 R, 211-212
See application file for complete search history.

(56) **References Cited**

U.S. PATENT DOCUMENTS

D312,748 S * 12/1990 Jung et al. D7/407
D326,387 S * 5/1992 Monitto et al. D7/346
6,257,228 B1 * 7/2001 Braccini 126/211

D450,526 S * 11/2001 Busalt D7/346
6,691,699 B1 * 2/2004 Fafet et al. 126/39 R
D516,856 S * 3/2006 Langhammer et al. D7/347
D524,104 S * 7/2006 Johnson D7/407

* cited by examiner

Primary Examiner—Catherine R. Oliver

(74) *Attorney, Agent, or Firm*—Trexler, Bushnell,
Giangiorgi, Blackstone & Marr, Ltd.

(57) **CLAIM**

The ornamental design for a cooktop, as shown and
described.

DESCRIPTION

FIG. 1 is a perspective view of the cooktop showing the
graphic and showing the cooking array retracted.

FIG. 2 is a top view of the cooktop showing the graphic and
showing the cooking array retracted.

FIG. 3 is a bottom view of the cooktop.

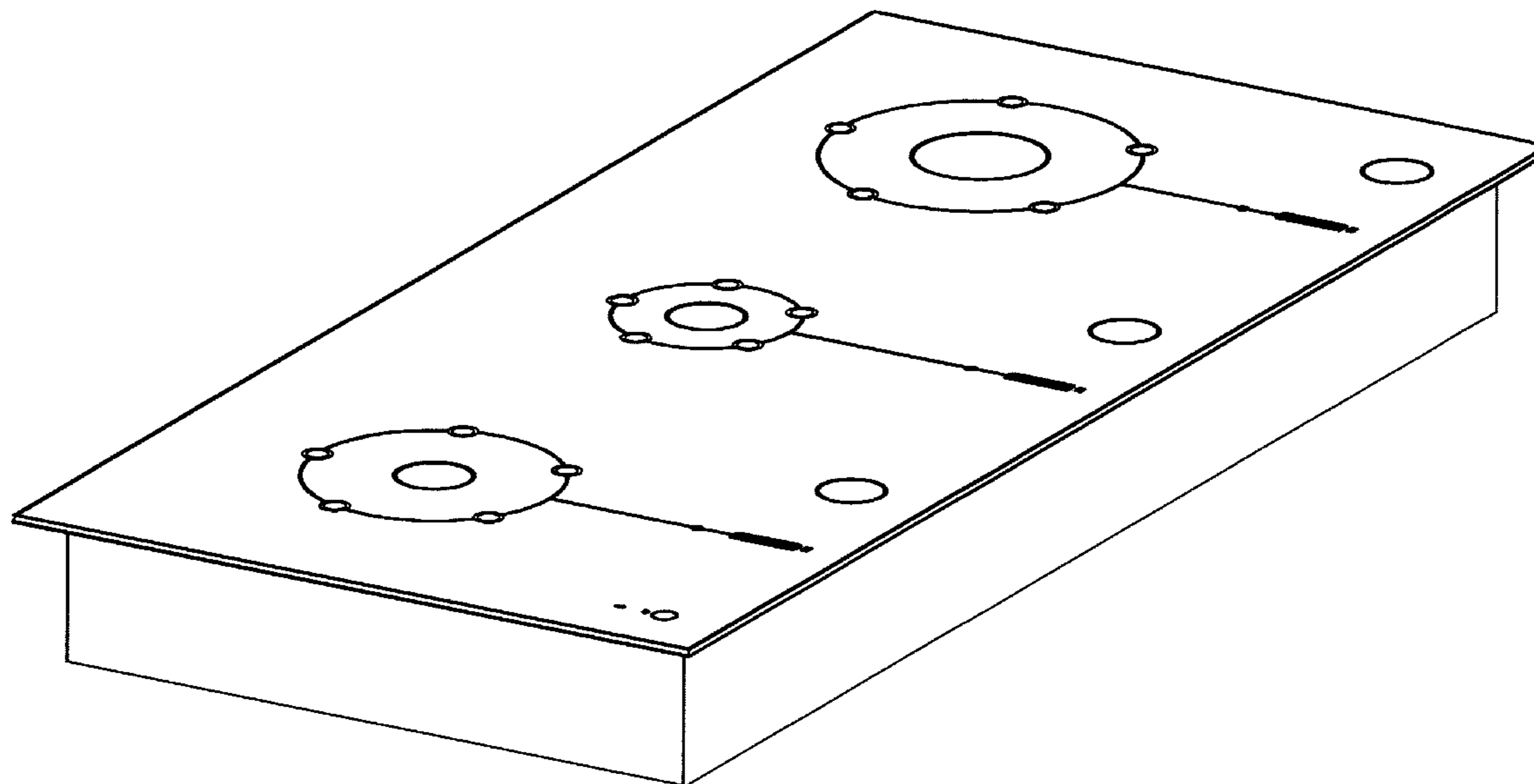
FIG. 4 is a rear view of the cooktop with the cooking array
retracted.

FIG. 5 is a front view of the cooktop with the cooking array
retracted.

FIG. 6 is a right side view of the cooktop with the cooking
array retracted; and,

FIG. 7 is a left side view of the cooktop with the cooking
array retracted.

1 Claim, 4 Drawing Sheets



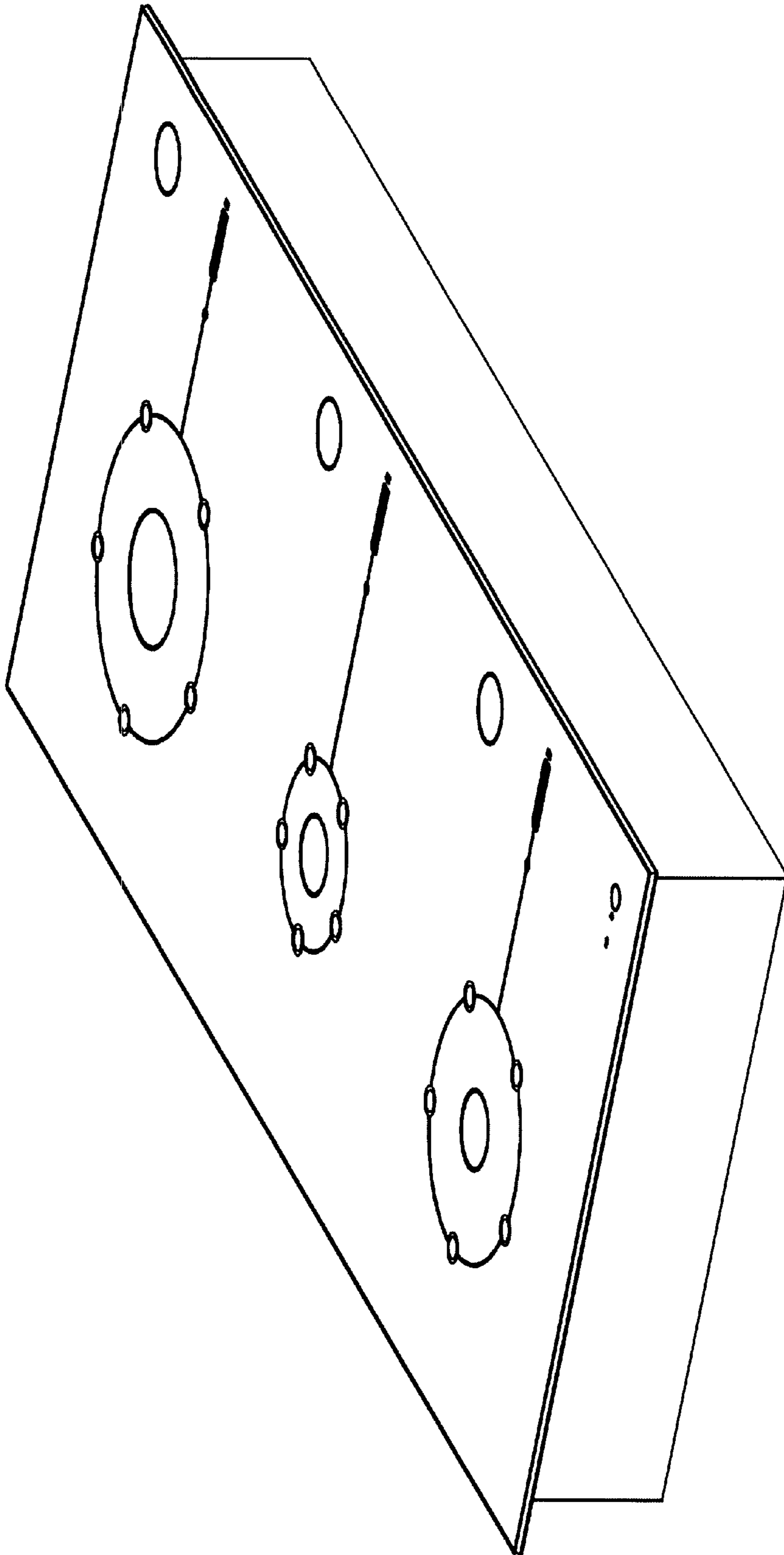


Figure 1

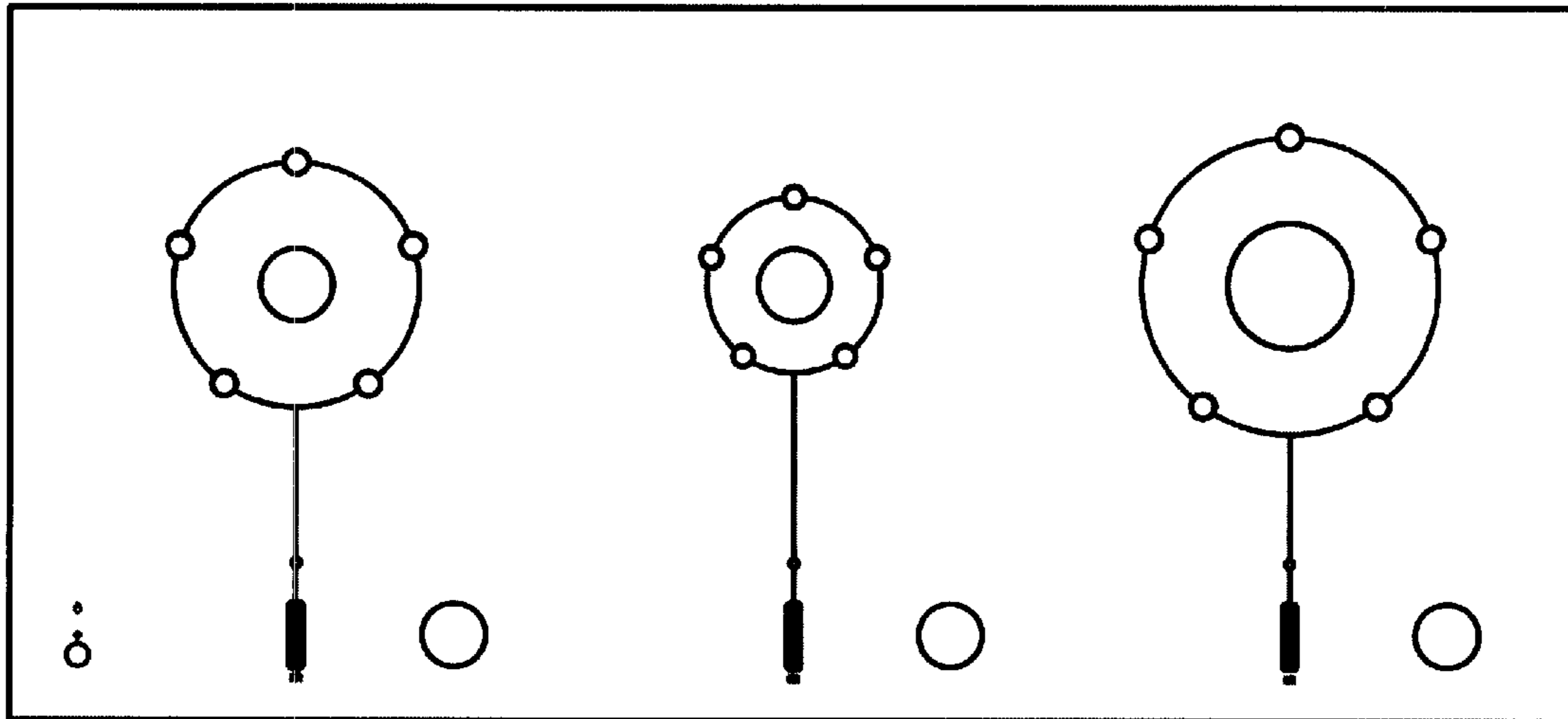


Figure 2

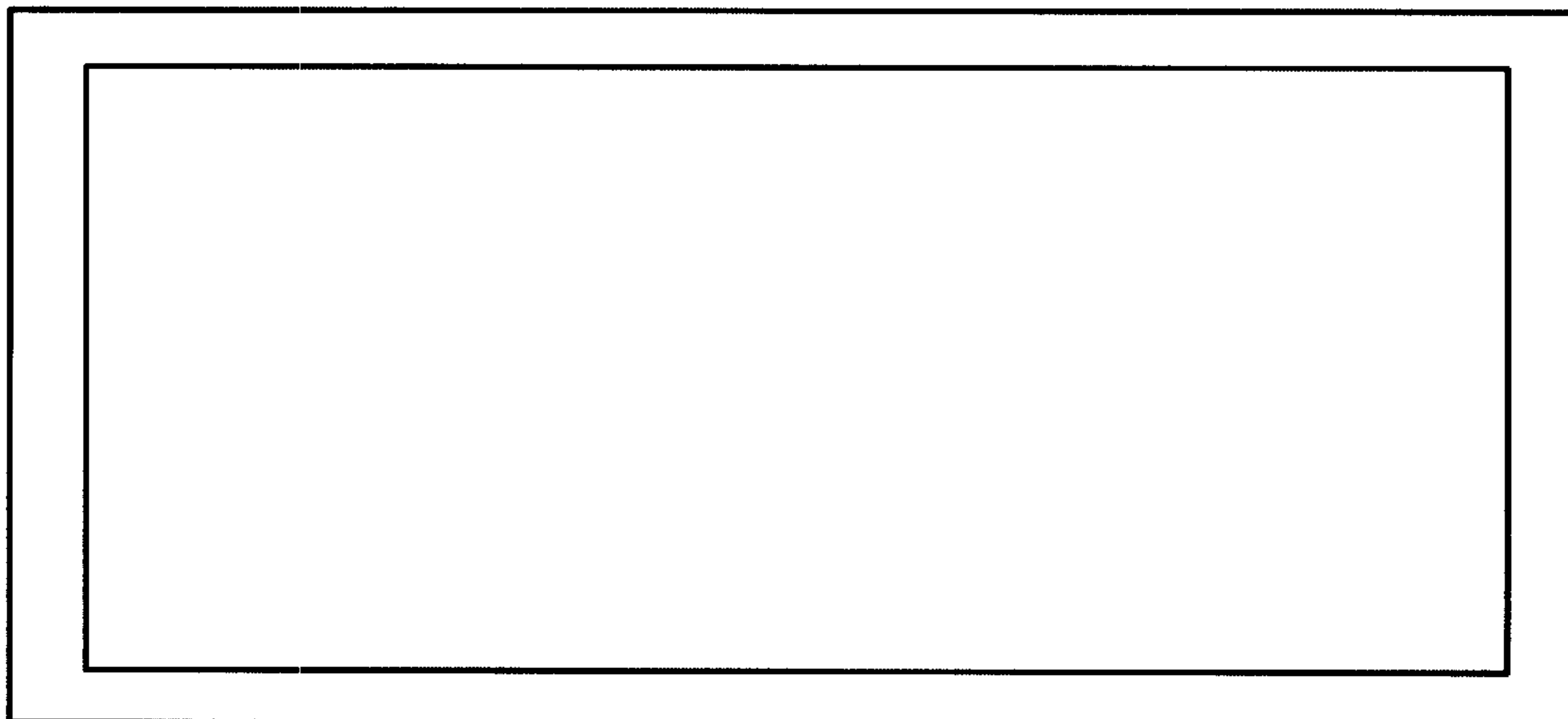


Figure 3

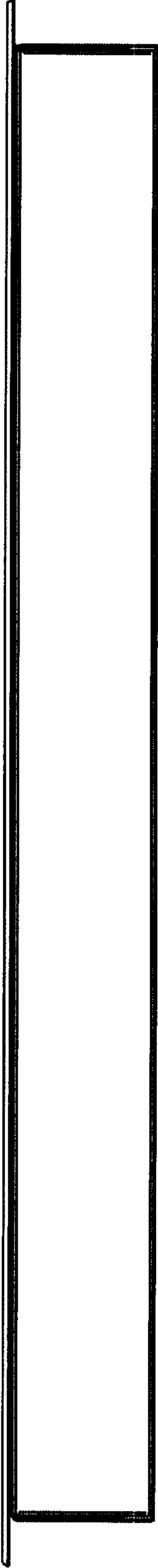


Figure 4

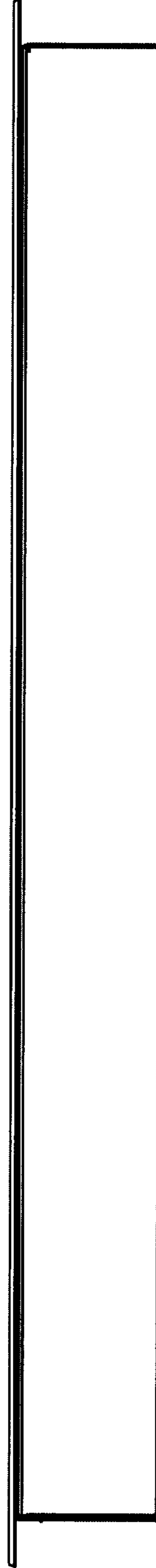


Figure 5

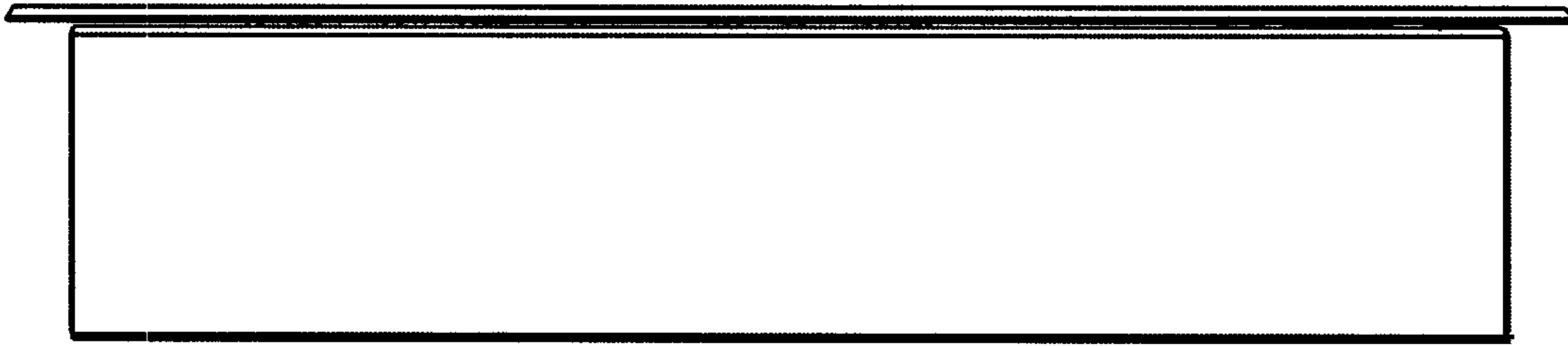


Figure 6

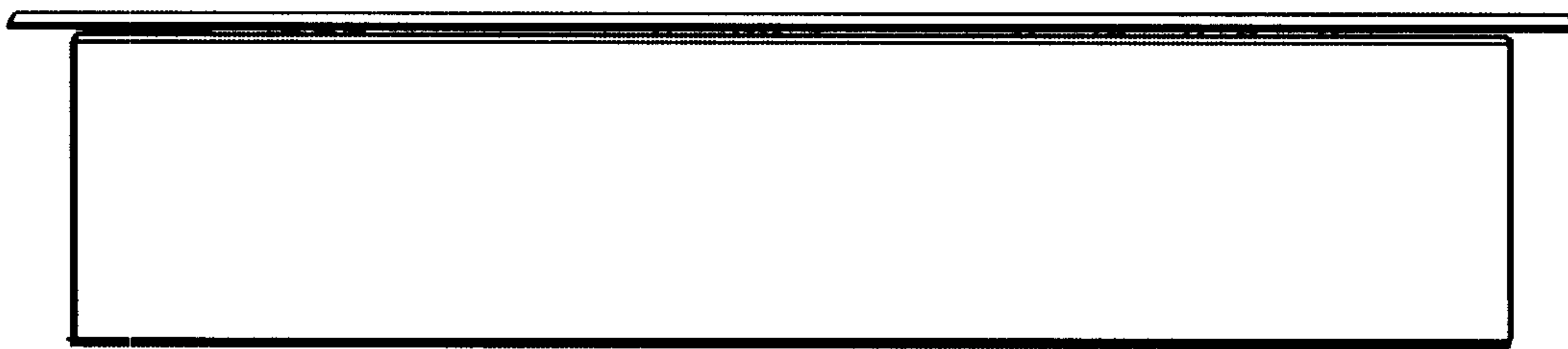


Figure 7