

US00D540609S

(12) **United States Design Patent**
Ranzoni

(10) **Patent No.:** **US D540,609 S**

(45) **Date of Patent:** **** Apr. 17, 2007**

(54) **APPARATUS FOR MAKING HOT BEVERAGES**
(75) Inventor: **Francesco Ranzoni**, Coccaglio (IT)
(73) Assignee: **Bialetti Industrie S.p.A.**, Coccaglio (Brescia) (IT)
(**) Term: **14 Years**

4,491,040 A * 1/1985 Corona 81/3.09
4,557,187 A * 12/1985 DePonti 99/279
D399,384 S * 10/1998 Ranzoni D7/318
5,894,785 A * 4/1999 Molinari 99/303
D484,356 S * 12/2003 Bodum D7/318
D504,046 S * 4/2005 Fuentes D7/318
D515,349 S * 2/2006 Gillisie D7/319

* cited by examiner

Primary Examiner—M. N. Pandozzi

(74) *Attorney, Agent, or Firm*—Hogan & Hartson LLP

(21) Appl. No.: **29/257,865**
(22) Filed: **Apr. 12, 2006**

(57) **CLAIM**

The ornamental design of an apparatus for making hot beverages, as shown and described.

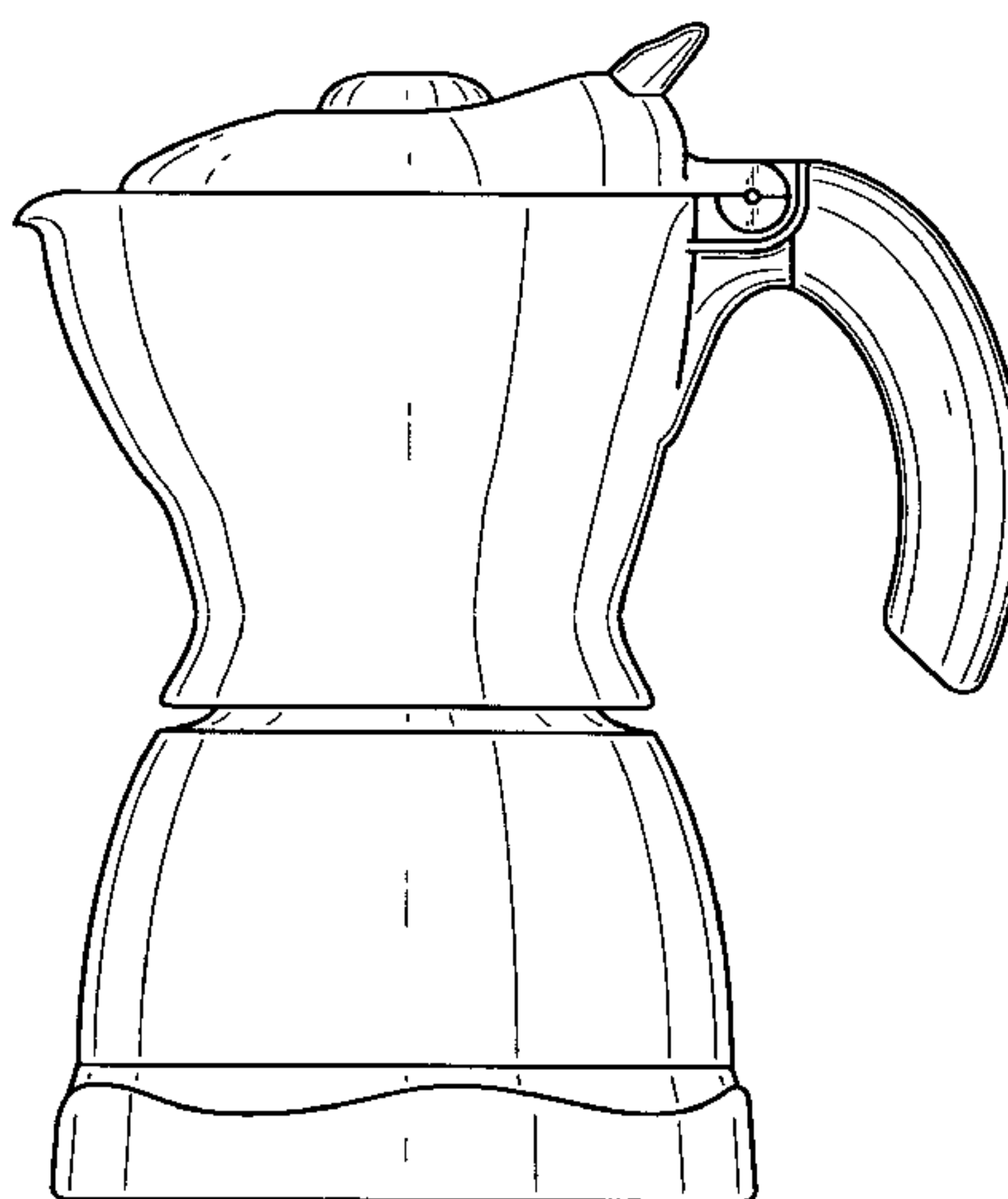
(30) **Foreign Application Priority Data**
Oct. 12, 2005 (IT) 2005 O 000163
Oct. 28, 2005 (EM) 000423637
Jan. 20, 2006 (IT) 2006 O 000012
(51) **LOC (8) Cl.** **07-01**
(52) **U.S. Cl.** **D7/318; D7/317**
(58) **Field of Classification Search** D7/317,
D7/316, 318, 319, 300; 99/303, 306, 293,
99/279; 81/3.09
See application file for complete search history.

DESCRIPTION

FIG. 1 is a back view of the apparatus for making hot beverages;
FIG. 2 is a first side view of the apparatus for making hot beverages;
FIG. 3 is a front view of the apparatus for making hot beverages;
FIG. 4 is a second side view of the apparatus for making hot beverages;
FIG. 5 is a bottom view of the apparatus for making hot beverages; and,
FIG. 6 is a top view of the apparatus for making hot beverages.

(56) **References Cited**
U.S. PATENT DOCUMENTS
D229,917 S * 1/1974 Swett D10/46.3
3,935,804 A * 2/1976 Perez 99/293
4,038,914 A * 8/1977 Crespo et al. 99/279
4,098,176 A * 7/1978 Perez 99/303

1 Claim, 3 Drawing Sheets



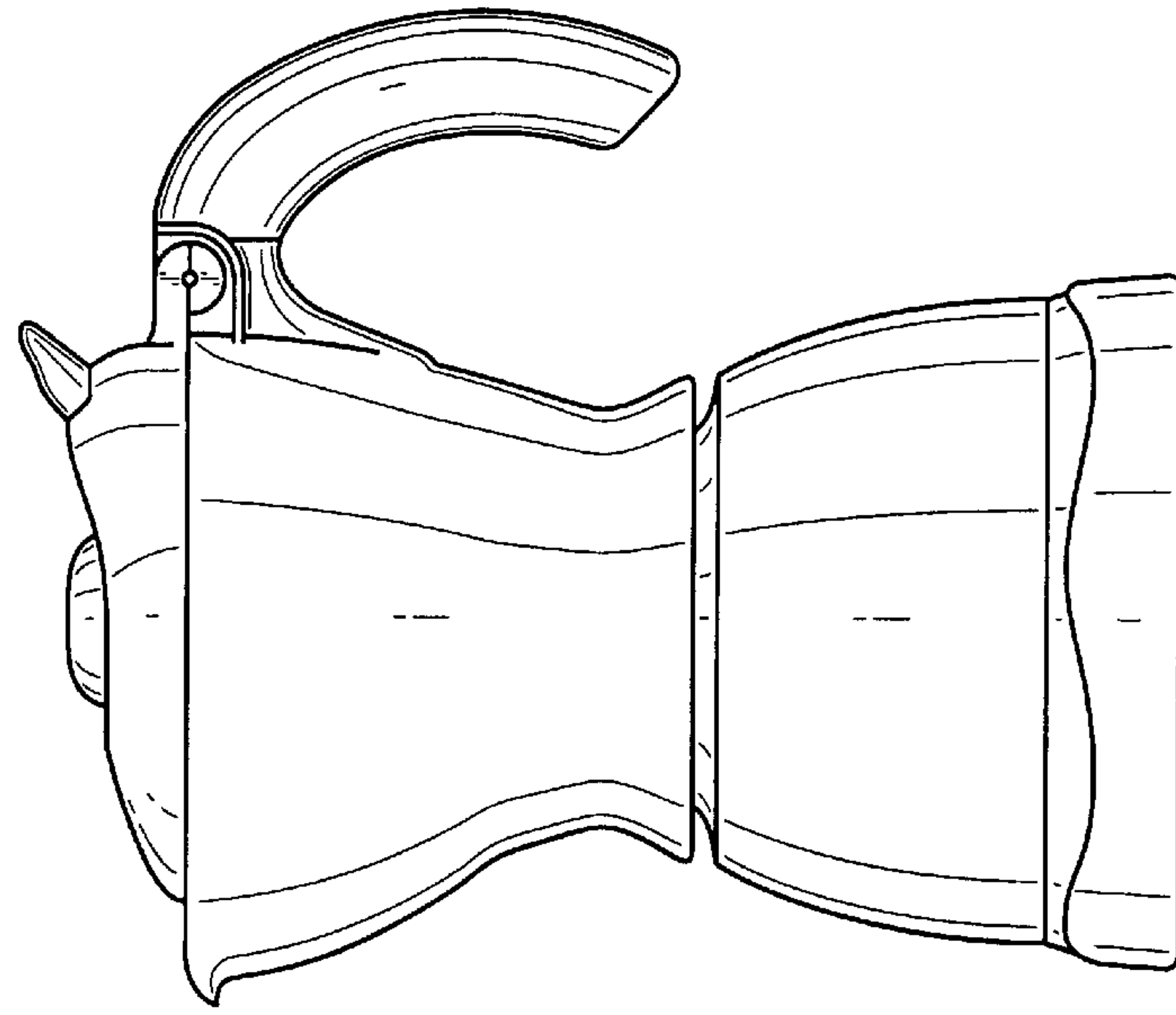


FIG. 2

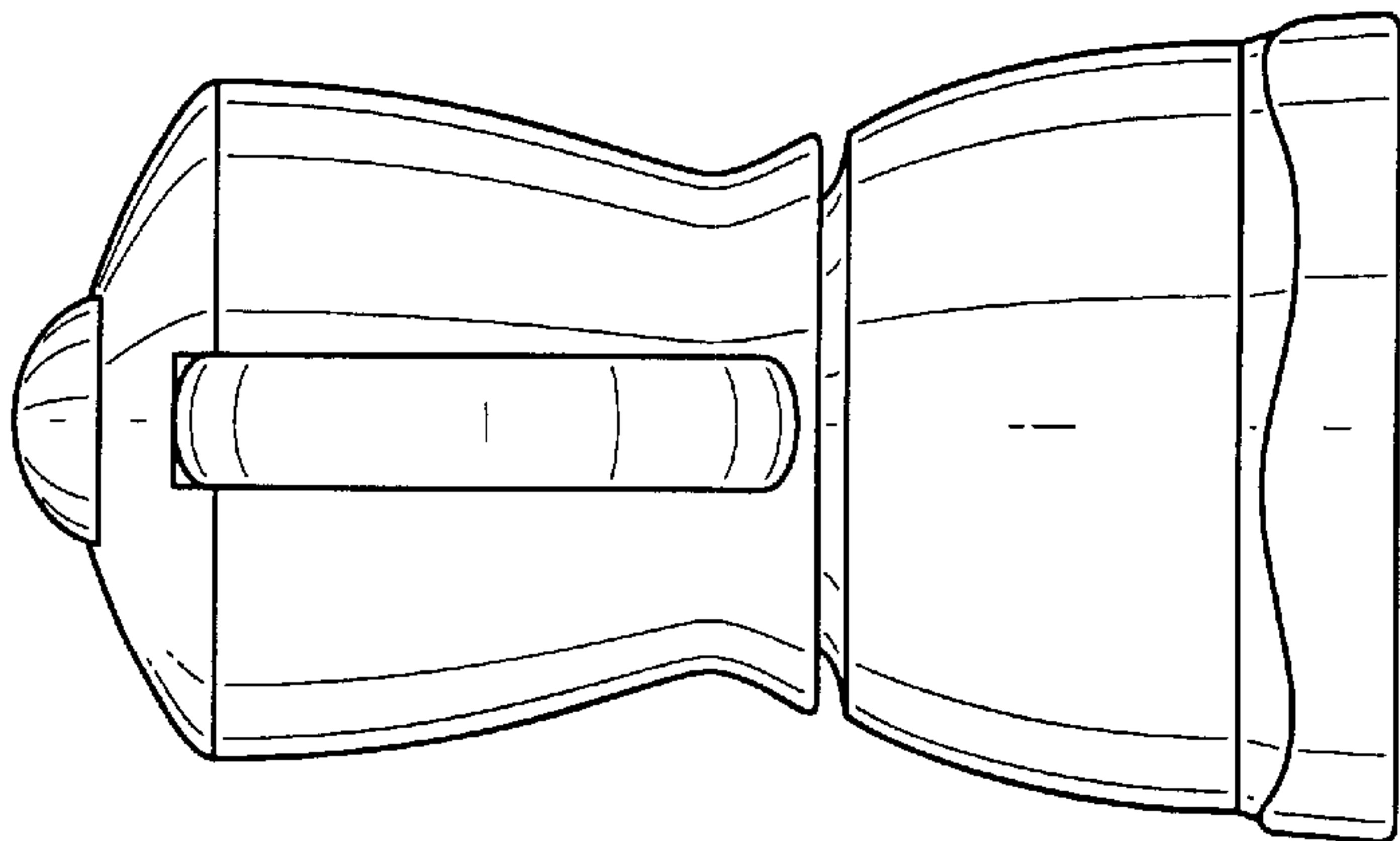


FIG. 1

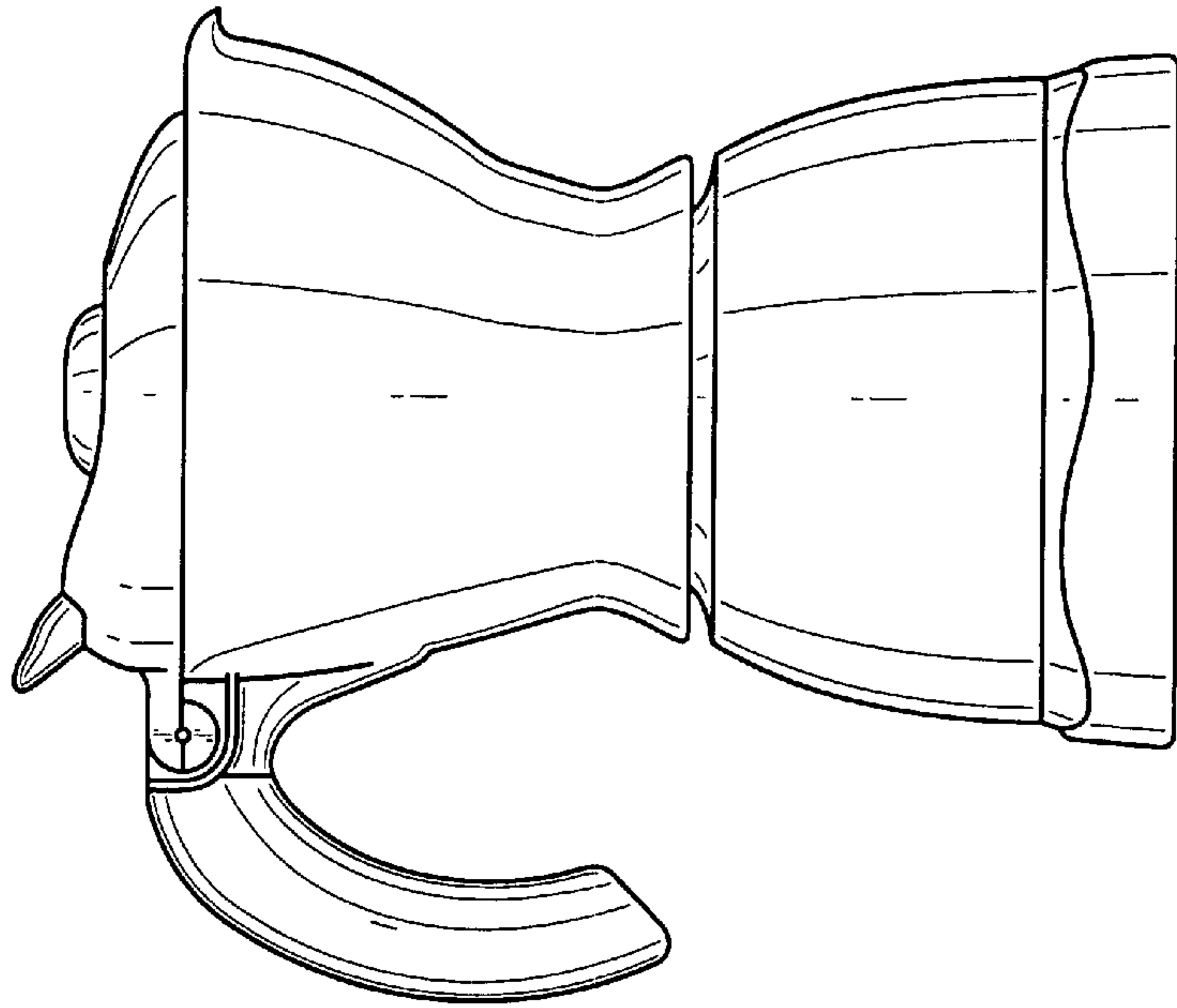


FIG. 4

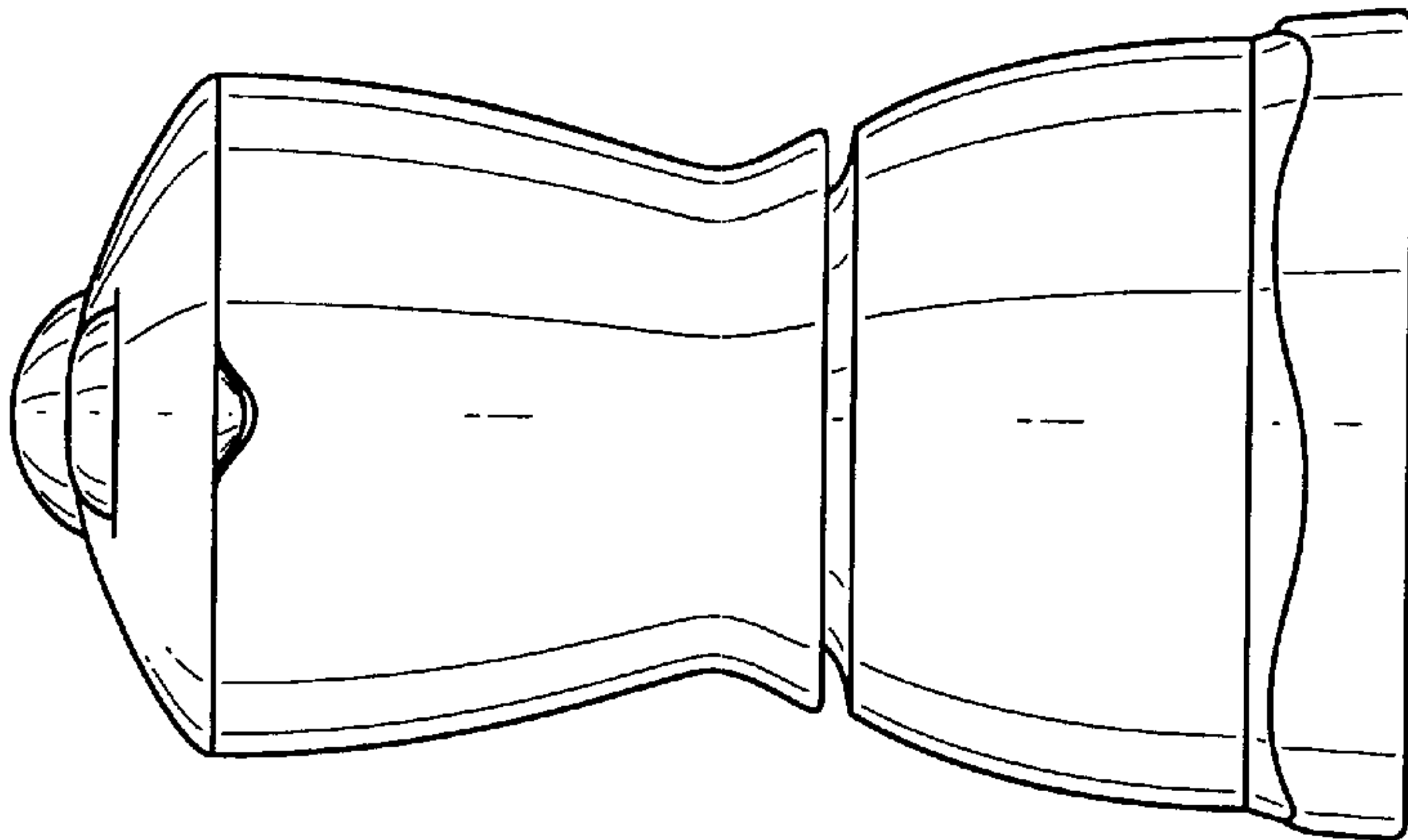


FIG. 3

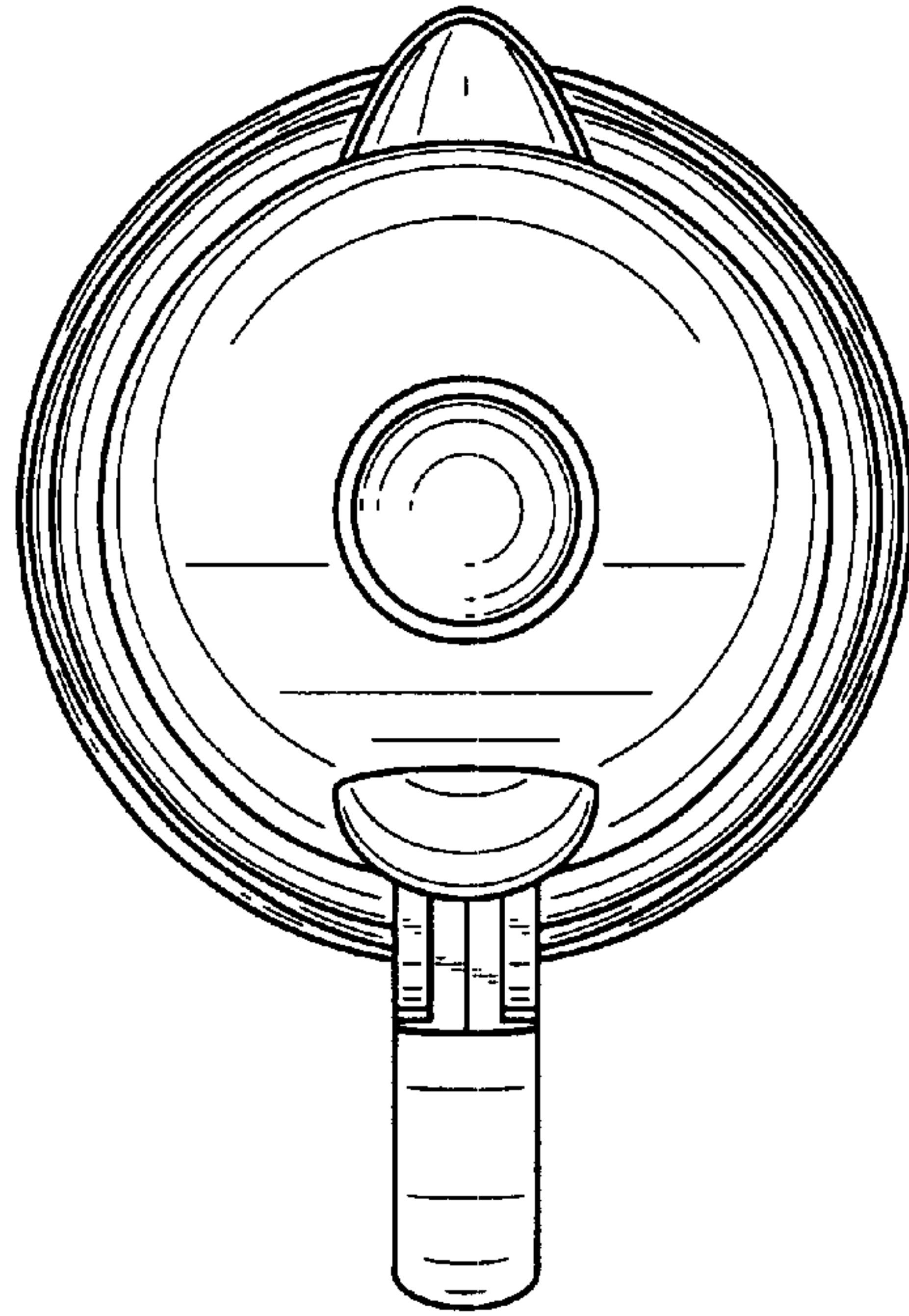


FIG. 6

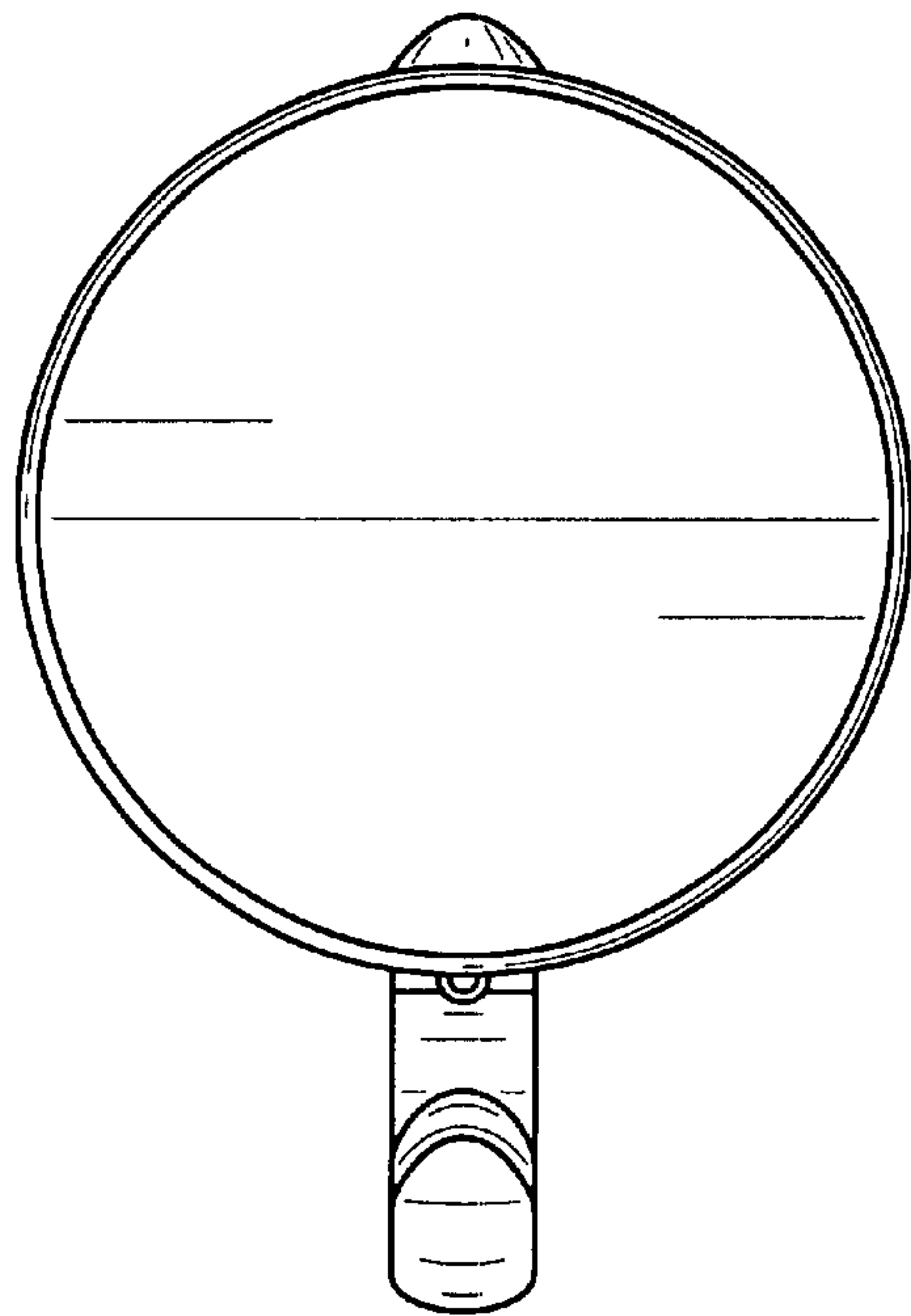


FIG. 5