



US00D540600S

(12) **United States Design Patent**  
**Graf**

(10) **Patent No.:** **US D540,600 S**

(45) **Date of Patent:** **\*\* Apr. 17, 2007**

(54) **MOUNTING BOARD OF A WALL MOUNTED PLANT HOLDER**

(76) Inventor: **Brenda Graf**, #1, 6150 - 46A Avenue,  
Riverside Light Industrial Park, Red  
Deer, Alberta (CA), T4N 7A3

(\*\*) Term: **14 Years**

(21) Appl. No.: **29/205,119**

(22) Filed: **May 11, 2004**

(30) **Foreign Application Priority Data**

Nov. 12, 2003 (CA) ..... 104851

(51) **LOC (8) Cl.** ..... **06-04**

(52) **U.S. Cl.** ..... **D6/557**

(58) **Field of Classification Search** ..... D6/556,  
D6/557; D11/131, 132, 133, 139, 143, 144,  
D11/149, 157; 206/461; 211/13.1, 87.1, 88.03,  
211/71.01; 248/309.1

See application file for complete search history.

(56) **References Cited**

**U.S. PATENT DOCUMENTS**

D149,979 S \* 6/1948 Solstone ..... D6/557  
D258,255 S \* 2/1981 Peck ..... D6/556  
D345,666 S \* 4/1994 Anderson ..... D6/556

D371,926 S \* 7/1996 Powell ..... D6/556  
D376,714 S \* 12/1996 Dallimore ..... D6/556  
D382,509 S \* 8/1997 Epperson ..... D11/131  
D398,801 S \* 9/1998 Shaw ..... D6/556  
D417,114 S \* 11/1999 Rehmert et al. .... D6/556  
D433,958 S \* 11/2000 Rosenberg ..... D6/556  
D509,165 S \* 9/2005 Deloye ..... D11/157

\* cited by examiner

*Primary Examiner*—Brian N Vinson

(74) *Attorney, Agent, or Firm*—Sander Gelsing

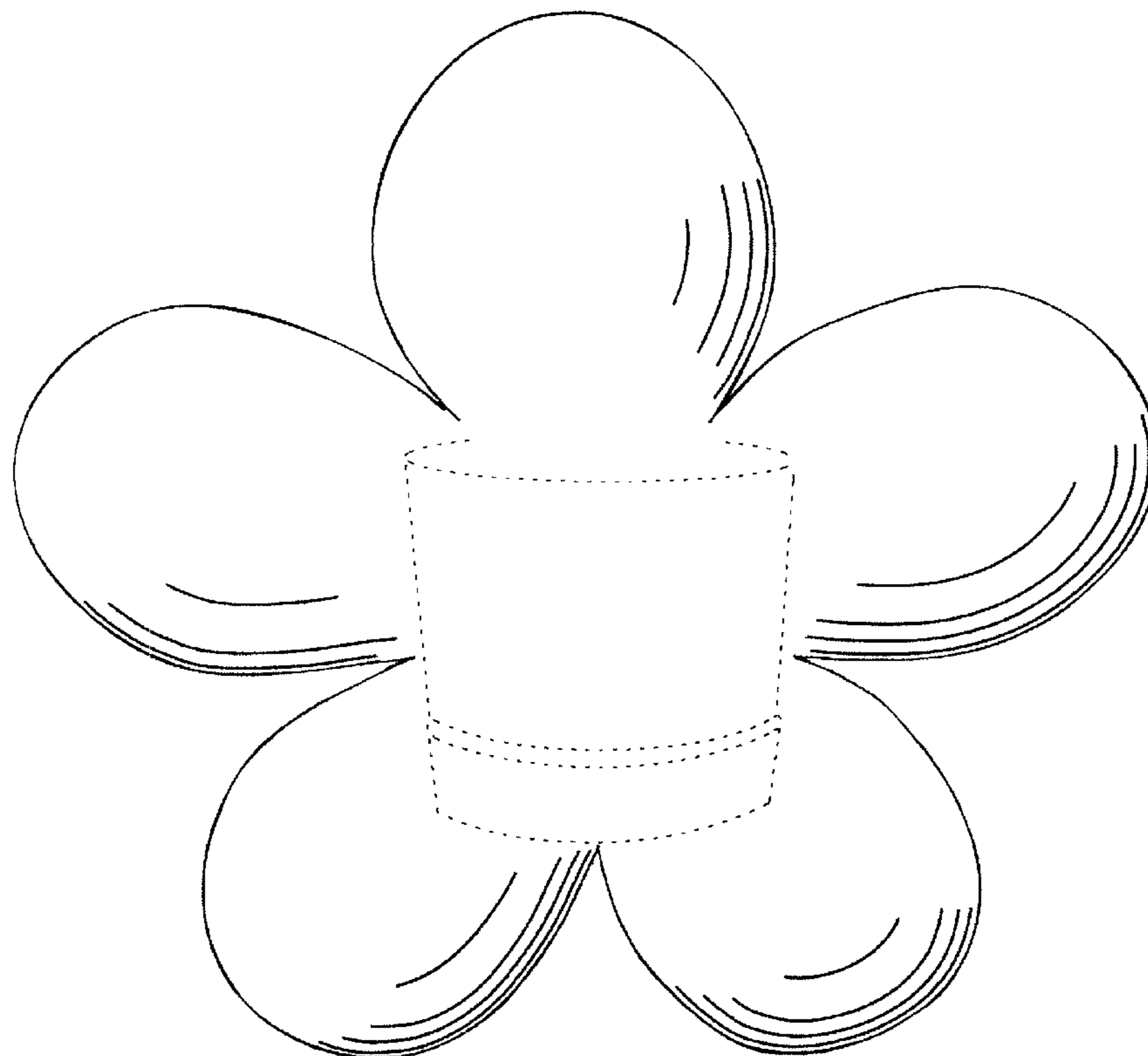
(57) **CLAIM**

The ornamental design for the mounting board of a wall mounted plant holder, as shown and described.

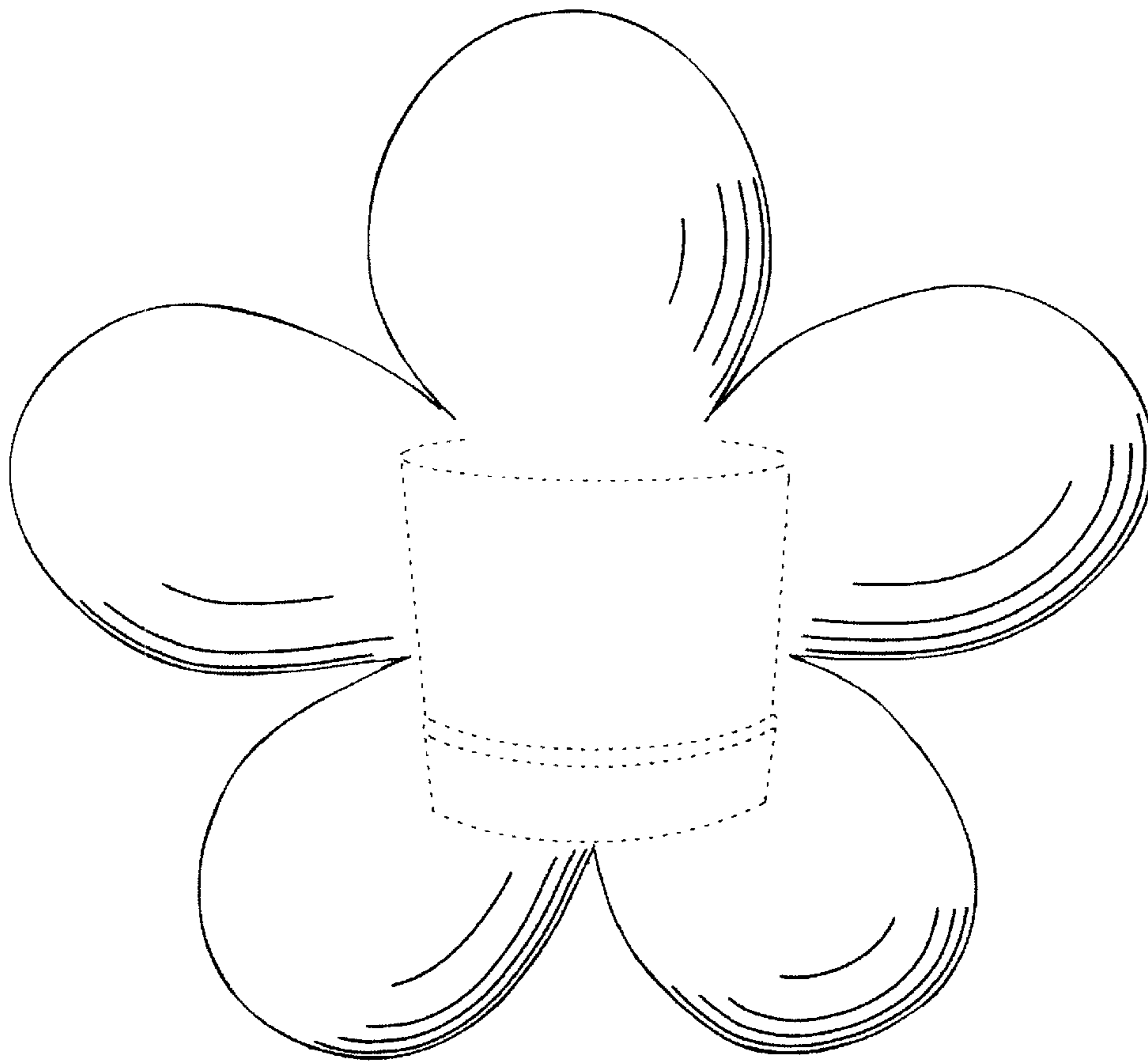
**DESCRIPTION**

FIG. 1 is a front elevation view of a mounting board of a wall mounted plant holder showing my new design; FIG. 2 is a left side elevation view according to FIG. 1, the right side being a mirror image; FIG. 3 is a top view according to FIG. 1; FIG. 4 is a bottom view according to FIG. 1; and, FIG. 5 is a back elevation view according to FIG. 1. The features illustrated in broken lines are shown for illustrative purposes only and form no part of the claimed design.

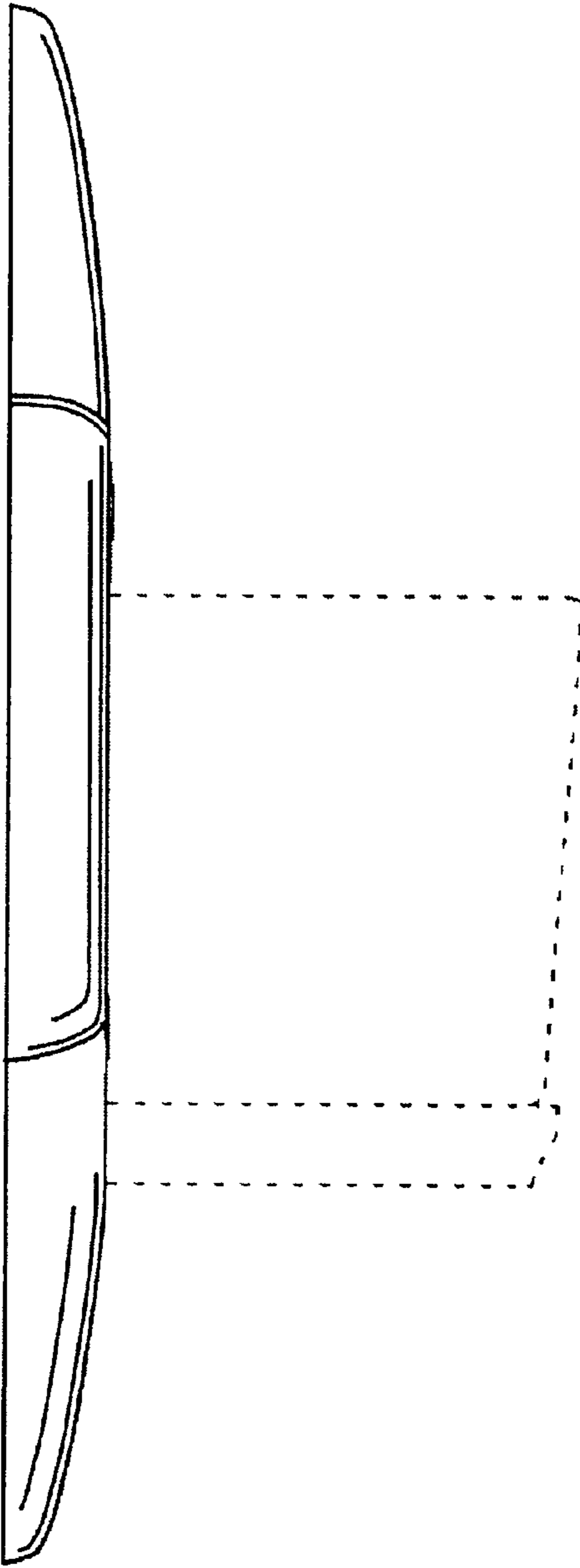
**1 Claim, 5 Drawing Sheets**



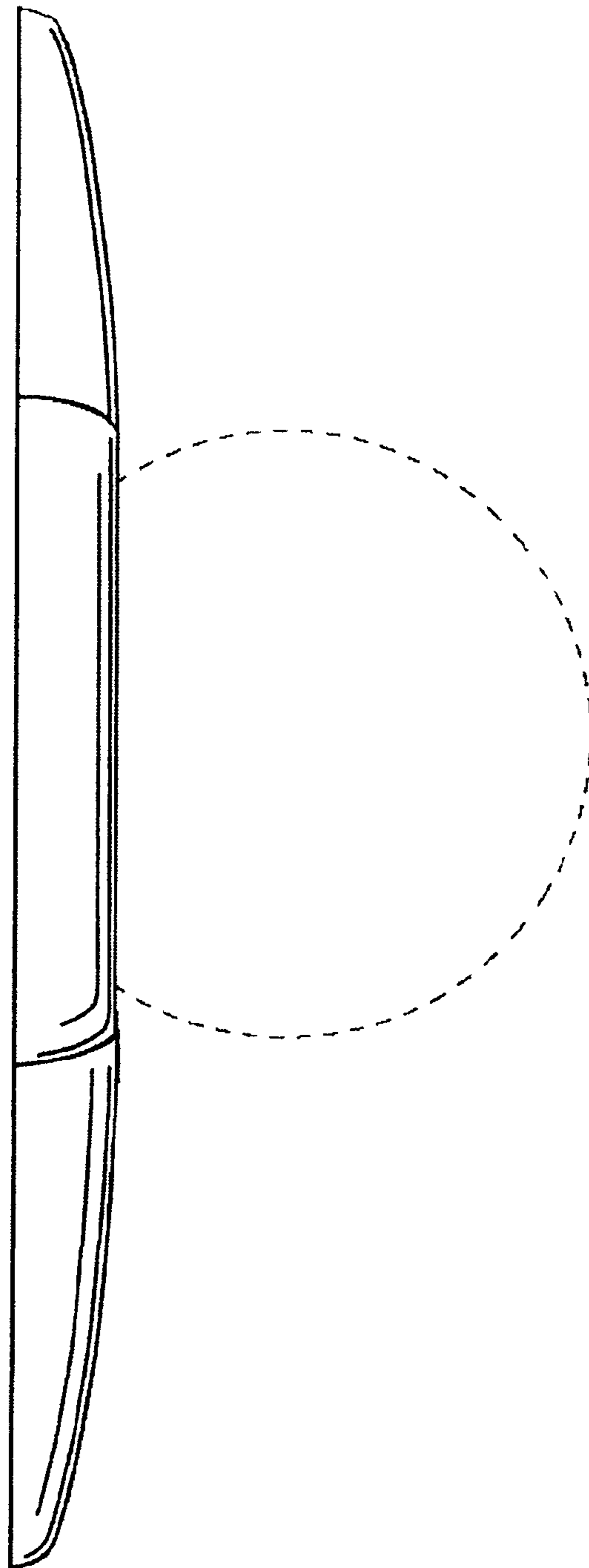
**Fig. 1**



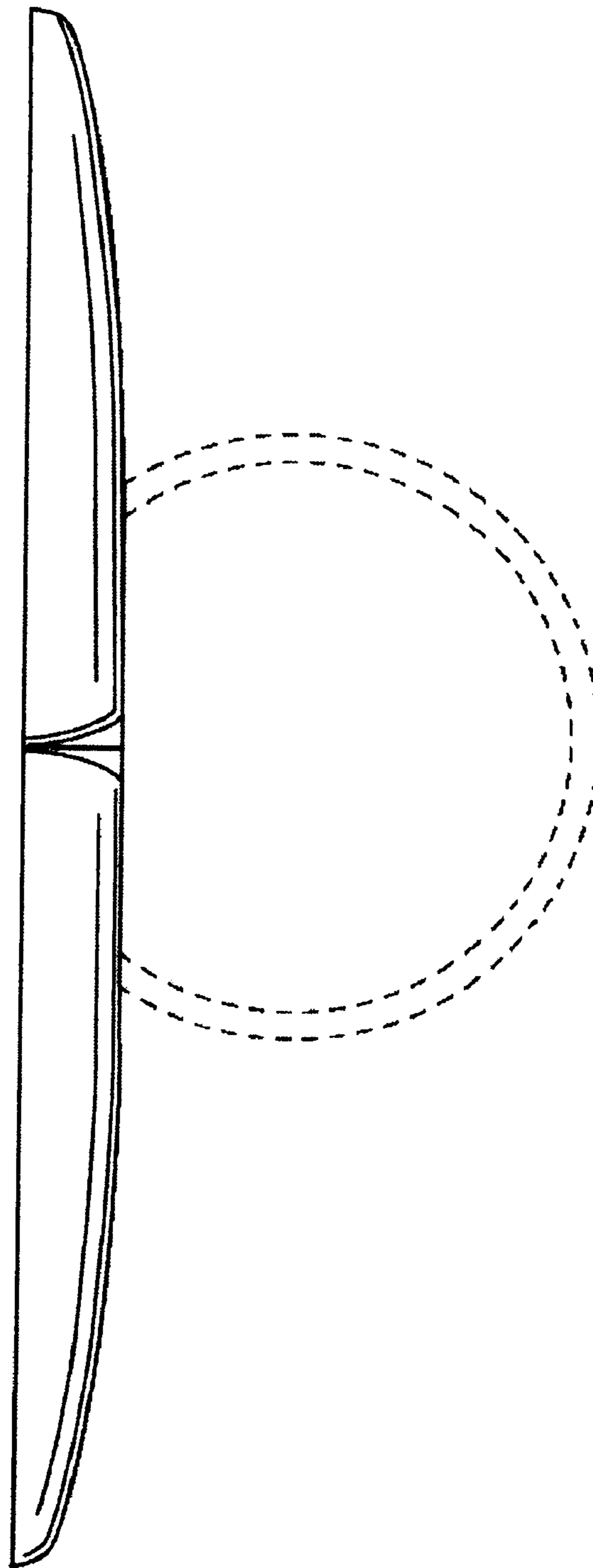
**Fig. 2**



***Fig. 3***



***Fig. 4***



**Fig. 5**

