



US00D540598S

(12) **United States Design Patent**  
**Massaud**

(10) **Patent No.:** **US D540,598 S**

(45) **Date of Patent:** **\*\* Apr. 17, 2007**

(54) **TOWEL BAR**

(75) Inventor: **Jean Marie Massaud**, Paris (FR)

(73) Assignee: **Hansgrohe AG** (DE)

(\*\*) Term: **14 Years**

(21) Appl. No.: **29/257,517**

(22) Filed: **Apr. 5, 2006**

(30) **Foreign Application Priority Data**

Oct. 14, 2005 (EM) ..... 000418033-0004

(51) **LOC (8) Cl.** ..... **06-04**

(52) **U.S. Cl.** ..... **D6/549**

(58) **Field of Classification Search** ..... D6/546-550,  
D6/518-519, 522-524; D8/300, 303, 315-321;  
108/28-29; 211/13.1, 16, 60.1, 86.01, 87.01,  
211/88.01, 88.04, 100, 105.1-105.2, 123,  
211/181.1, 182; 248/175, 176.1, 251, 302;  
16/110.1, 412, 415; 242/570, 590, 595-598  
See application file for complete search history.

(56) **References Cited**

**U.S. PATENT DOCUMENTS**

D454,742 S \* 3/2002 Meck et al. .... D6/549

D463,935 S \* 10/2002 Zhao ..... D6/549  
D477,952 S \* 8/2003 Gilbert ..... D6/549  
D478,448 S \* 8/2003 Hoernig ..... D6/549  
D479,931 S \* 9/2003 Gilbert ..... D6/549  
D492,530 S \* 7/2004 Chen ..... D6/549

\* cited by examiner

*Primary Examiner*—Brian N Vinson

(74) *Attorney, Agent, or Firm*—Kwadjo Adusei-Poku;  
Lloyd D. Doigan

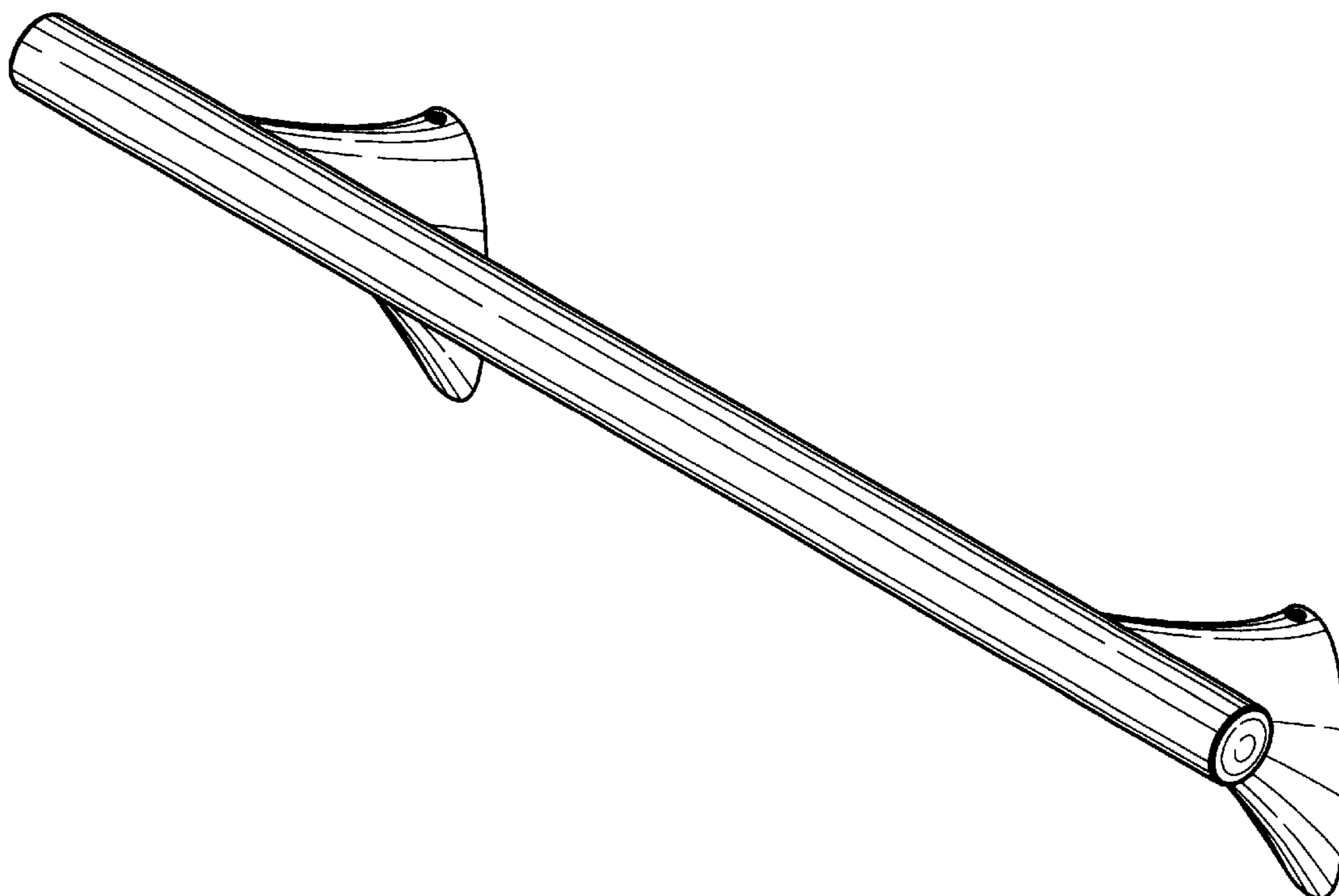
(57) **CLAIM**

The ornamental design for a towel bar, as shown and described.

**DESCRIPTION**

FIG. 1 is a front perspective view of a towel bar showing my design;  
FIG. 2 is a front elevational view thereof;  
FIG. 3 is a left side elevational view thereof; the right side elevational view being a mirror image thereof;  
FIG. 4 is a bottom plan view thereof;  
FIG. 5 is a top plan view thereof; and,  
FIG. 6 is a rear elevational view thereof.

**1 Claim, 3 Drawing Sheets**



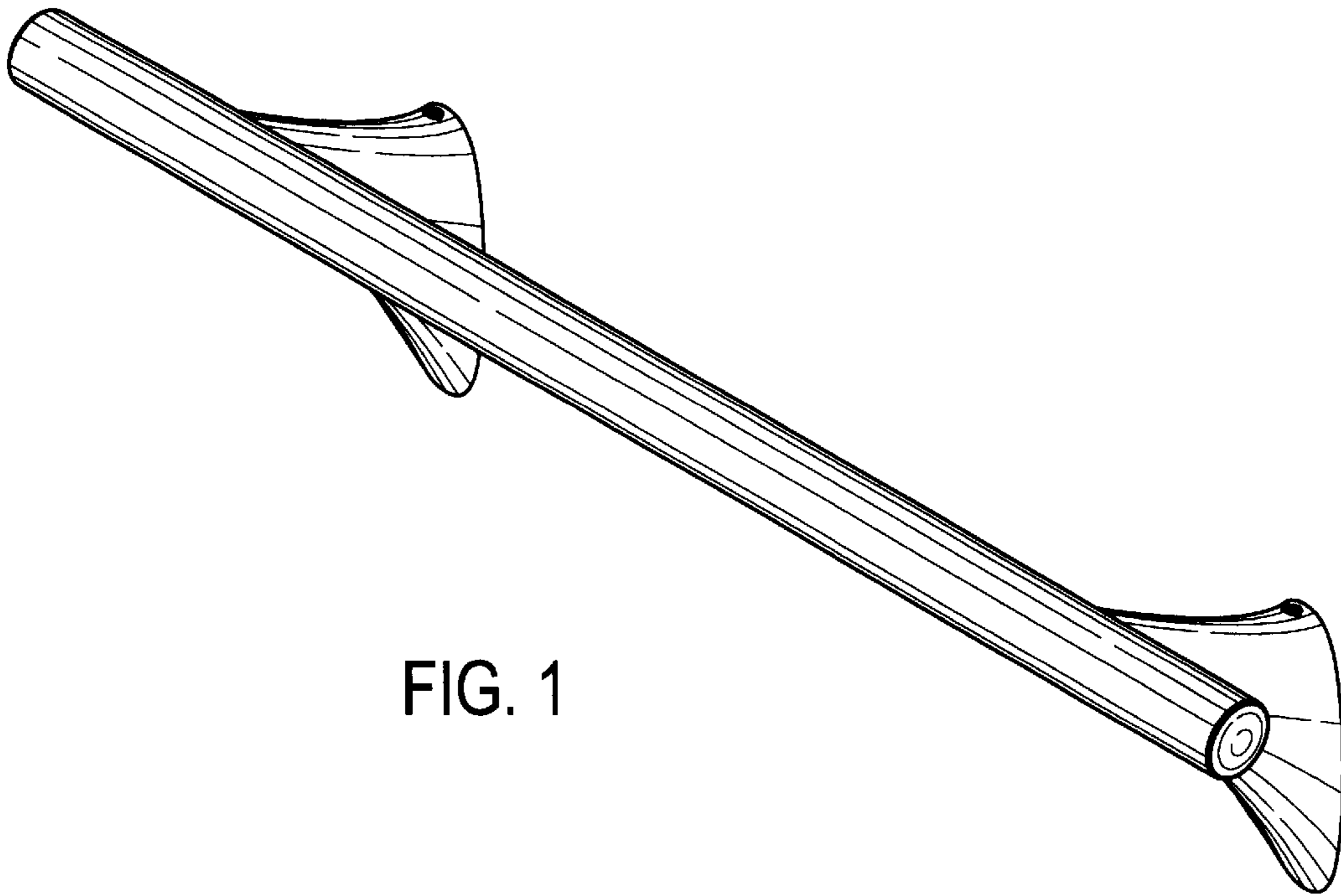


FIG. 1

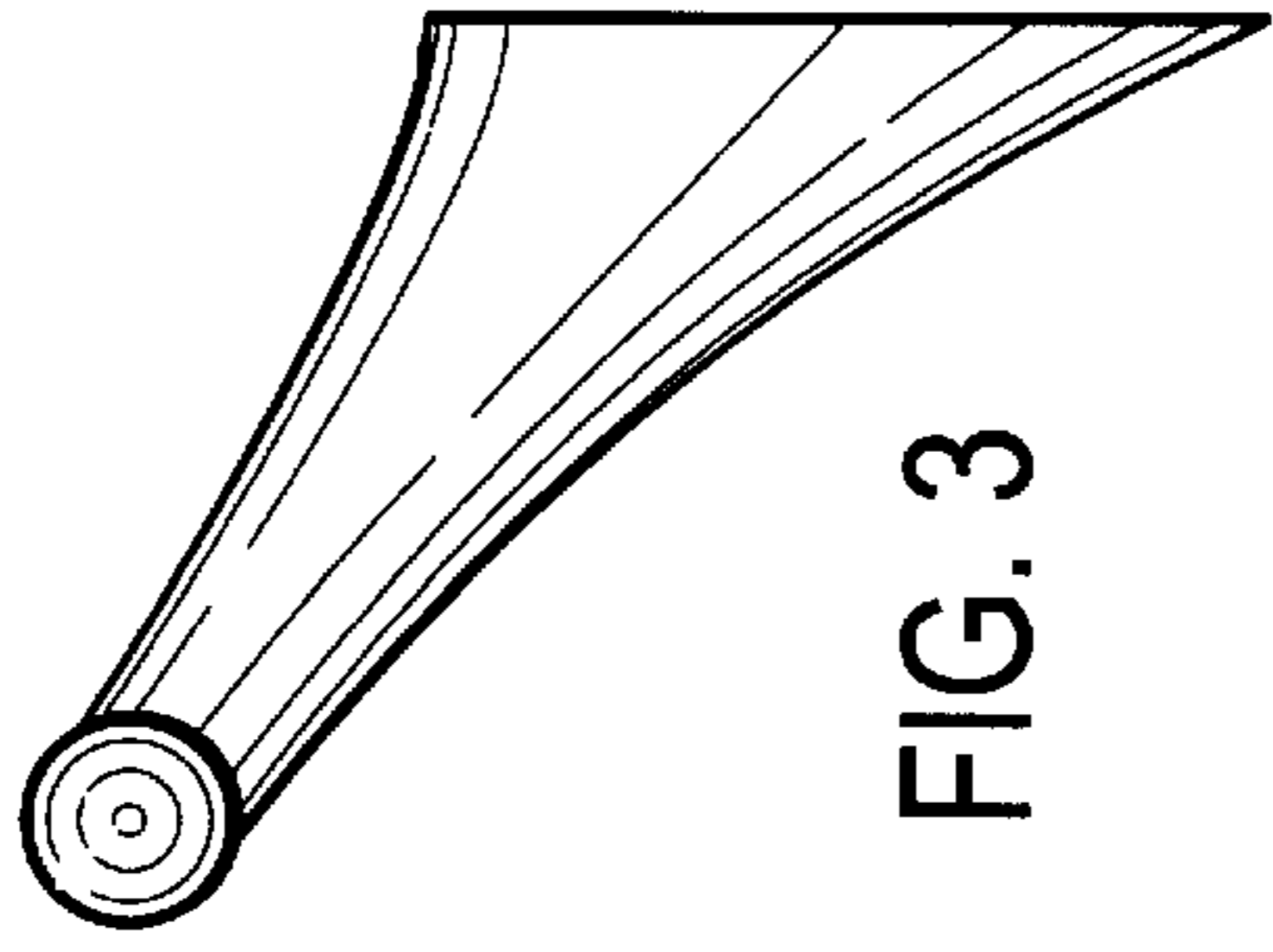


FIG. 3



FIG. 2

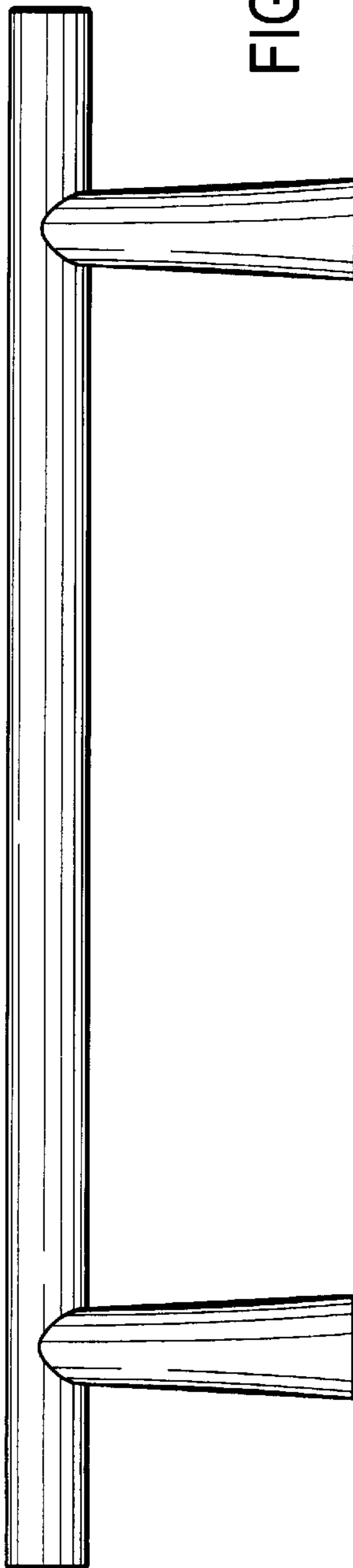


FIG. 4

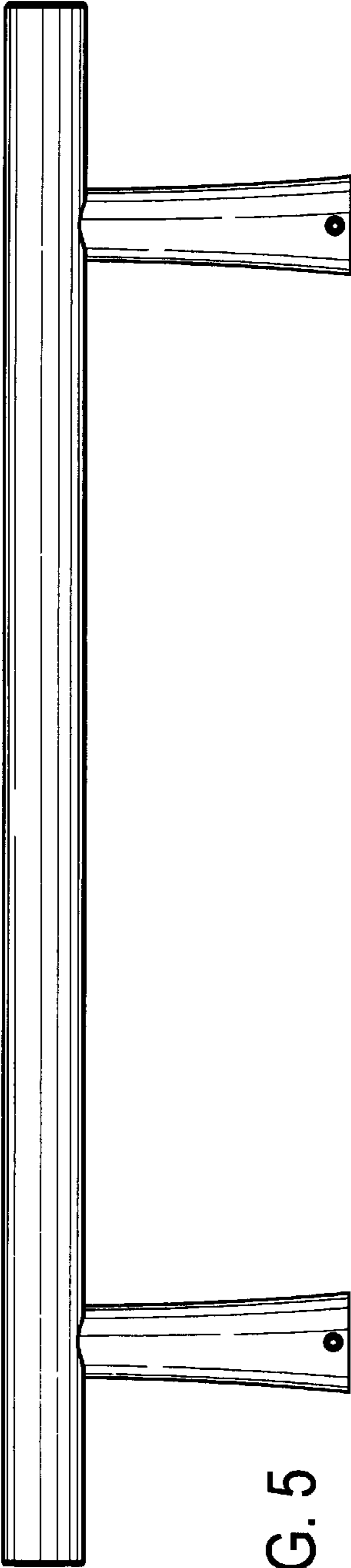


FIG. 5

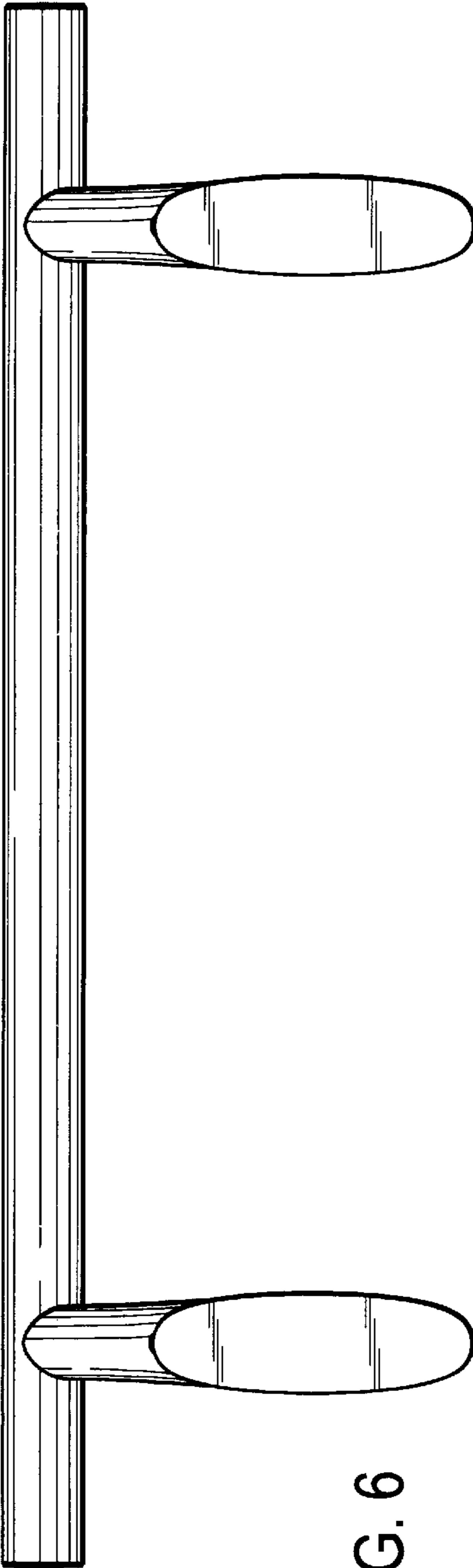


FIG. 6