

US00D540597S

(12) **United States Design Patent**
Hoernig

(10) **Patent No.:** **US D540,597 S**

(45) **Date of Patent:** **** Apr. 17, 2007**

(54) **TOWEL BAR**

(75) Inventor: **Victor Hoernig**, Lowell, IN (US)

(73) Assignee: **Masco Corporation of Indiana**,
Indianapolis, IN (US)

(**) Term: **14 Years**

(21) Appl. No.: **29/247,033**

(22) Filed: **May 25, 2006**

(51) **LOC (8) Cl.** **06-04**

(52) **U.S. Cl.** **D6/549**

(58) **Field of Classification Search** D6/546-550,
D6/518-519, 522-524; D8/300, 303, 315-321;
108/28-29; 211/13.1, 16, 60.1, 86.01, 87.01,
211/88.01, 88.04, 100, 105.1-105.2, 123,
211/181.1, 182; 248/175, 176.1, 251, 302;
16/110.1, 412, 415; 242/570, 590, 595-598
See application file for complete search history.

(56) **References Cited**

U.S. PATENT DOCUMENTS

D427,471 S * 7/2000 Chen D6/549
D449,952 S * 11/2001 Lyndon D6/549

D454,743 S * 3/2002 Ou-Young D6/549
D454,745 S * 3/2002 Wright D6/550
D455,592 S * 4/2002 Ou-Young D6/549
D455,823 S * 4/2002 Zetsche D23/304
D472,417 S * 4/2003 Hunt D6/549
D477,951 S * 8/2003 Ouano D6/549
D479,931 S * 9/2003 Gilbert D6/549

* cited by examiner

Primary Examiner—Brian N Vinson

(74) *Attorney, Agent, or Firm*—Kwadjo Adusei-Poku;
Lloyd D. Doigan

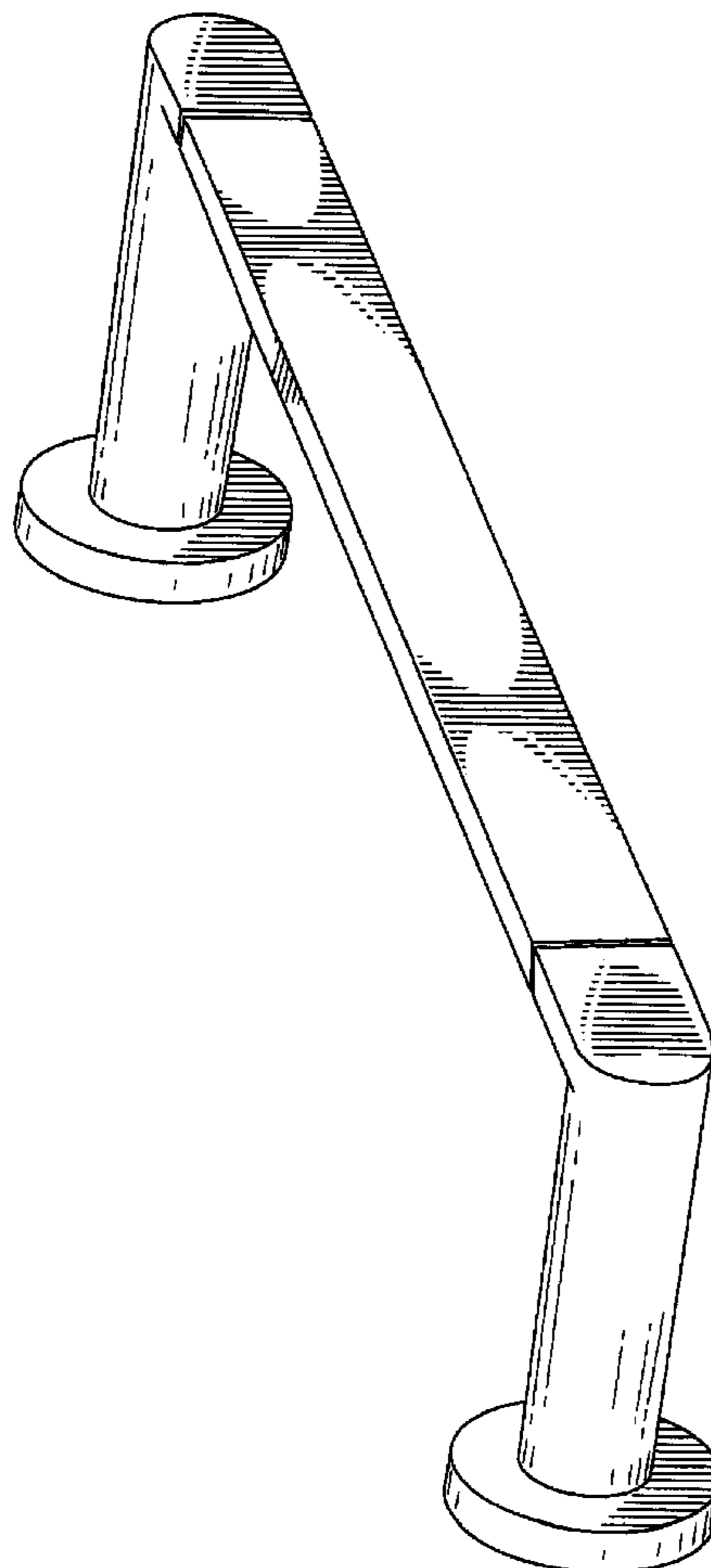
(57) **CLAIM**

The ornamental design for a towel bar, as shown and described.

DESCRIPTION

FIG. 1 is a front perspective view of a towel bar showing my new design;
FIG. 2 is a front elevational view thereof;
FIG. 3 is a top plan view thereof; and,
FIG. 4 is a right side elevational view thereof, the left side being a mirror image thereof.

1 Claim, 4 Drawing Sheets



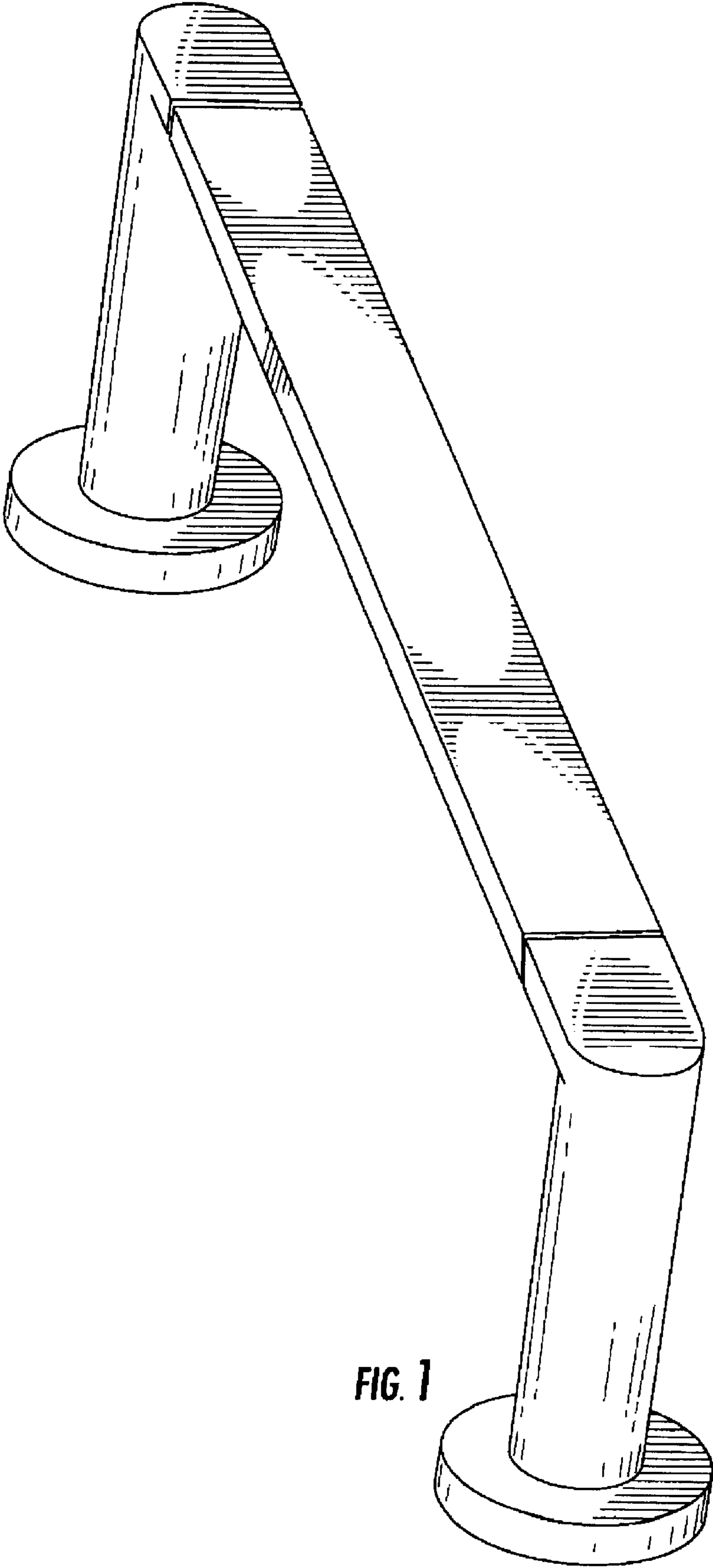


FIG. 1

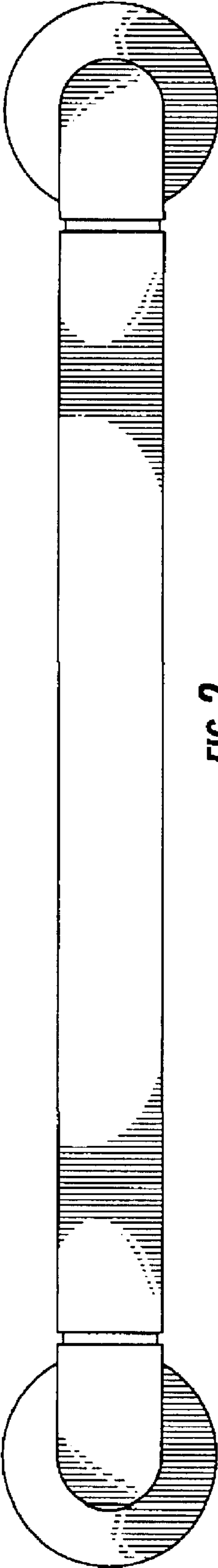


FIG. 2

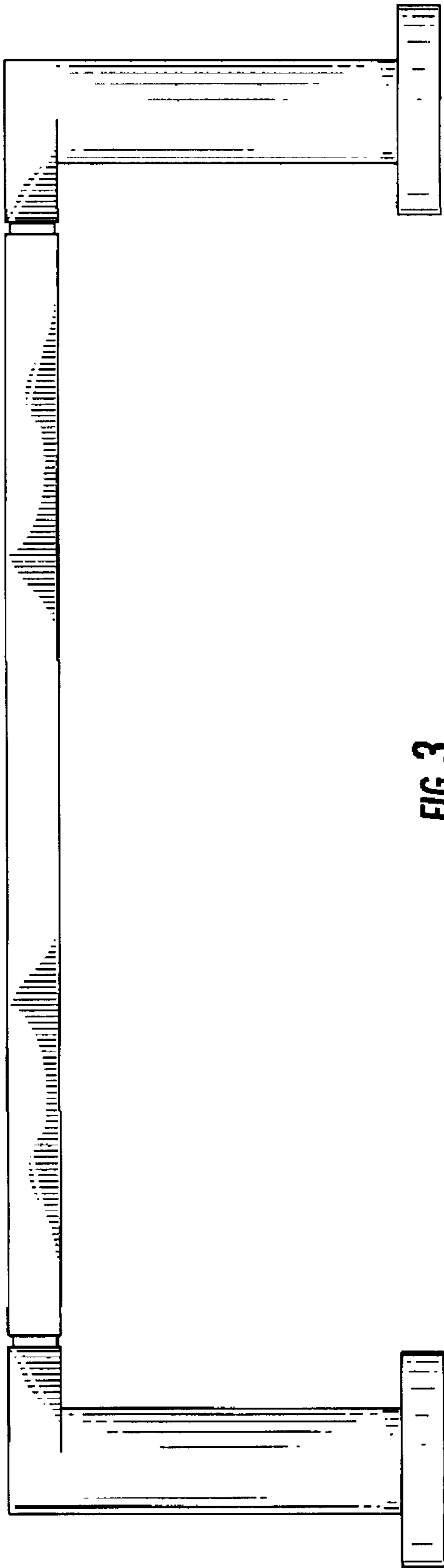


FIG. 3

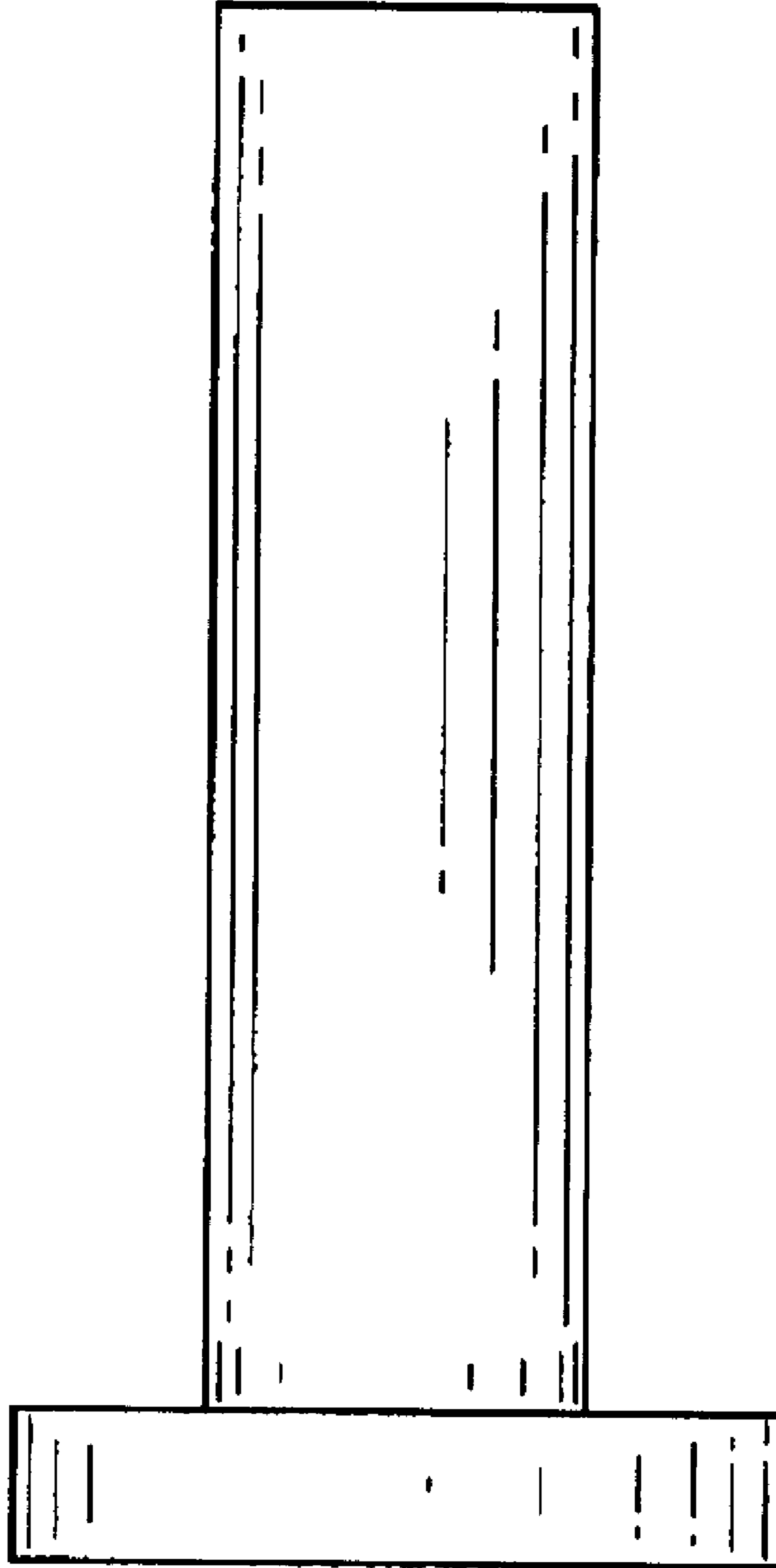


FIG. 4