

US00D540595S

(12) **United States Design Patent**  
**Solowiej**

(10) **Patent No.:** **US D540,595 S**

(45) **Date of Patent:** **\*\* Apr. 17, 2007**

(54) **TOWEL BAR**

(75) **Inventor:** **Leszek Solowiej**, Montville, NJ (US)

(73) **Assignee:** **Liberty Hardware Mfg. Corp.**,  
Winston-Salem, NC (US)

(\*\*) **Term:** **14 Years**

(21) **Appl. No.:** **29/228,799**

(22) **Filed:** **Apr. 28, 2005**

(51) **LOC (8) Cl.** ..... **06-04**

(52) **U.S. Cl.** ..... **D6/549**

(58) **Field of Classification Search** ..... D6/546-550,  
D6/518-519, 522-524; D8/300, 303, 315-321;  
108/28-29; 211/13.1, 16, 60.1, 86.01, 87.01,  
211/88.01, 88.04, 100, 105.1-105.2, 123,  
211/181.1, 182; 248/175, 176.1, 251, 302;  
16/110.1, 412, 415; 242/570, 590, 595-598  
See application file for complete search history.

(56) **References Cited**

**U.S. PATENT DOCUMENTS**

- D427,471 S \* 7/2000 Chen ..... D6/549
- D449,952 S \* 11/2001 Lyndon ..... D6/549
- D454,743 S \* 3/2002 Ou-Young ..... D6/549

- D454,745 S \* 3/2002 Wright ..... D6/550
- D455,592 S \* 4/2002 Ou-Young ..... D6/549
- D455,823 S \* 4/2002 Zetsche ..... D23/304
- D472,417 S \* 4/2003 Hunt ..... D6/549
- D477,951 S \* 8/2003 Ouano ..... D6/549
- D479,931 S \* 9/2003 Gilbert ..... D6/549

\* cited by examiner

*Primary Examiner*—Brian N Vinson

(74) *Attorney, Agent, or Firm*—Edgar A. Zarins; Lloyd D. Doigan

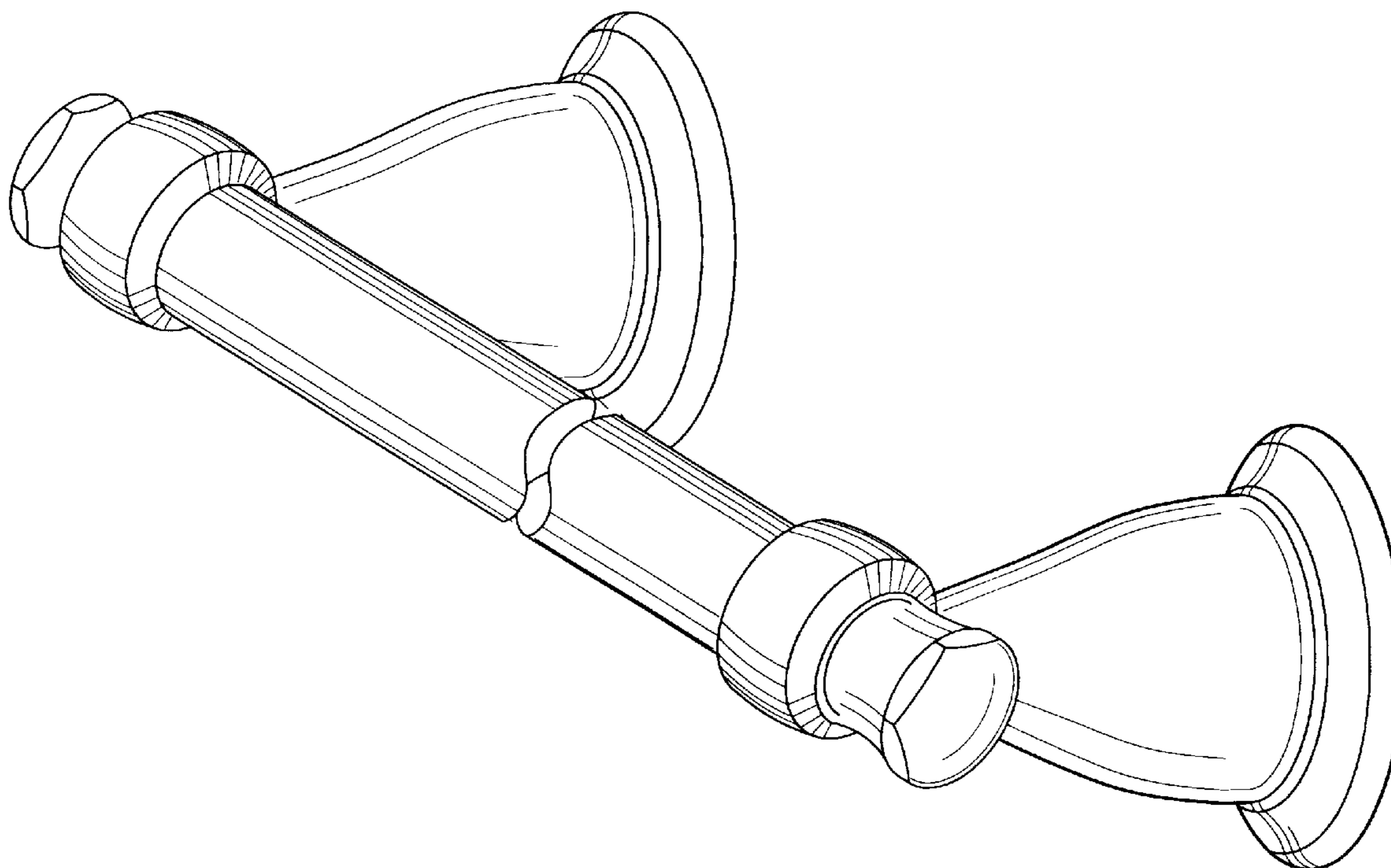
(57) **CLAIM**

The ornamental design for a towel bar, as shown and described.

**DESCRIPTION**

FIG. 1 is a perspective view of a towel bar showing my new design;  
 FIG. 2 is an end view thereof, the opposite end being a mirror image of the end shown;  
 FIG. 3 is a front elevational view thereof; and,  
 FIG. 4 is a bottom plan view thereof, the top being a mirror image of the side shown.  
 The towel bar shown broken-away in the views is understood to represent indeterminate length.

**1 Claim, 2 Drawing Sheets**



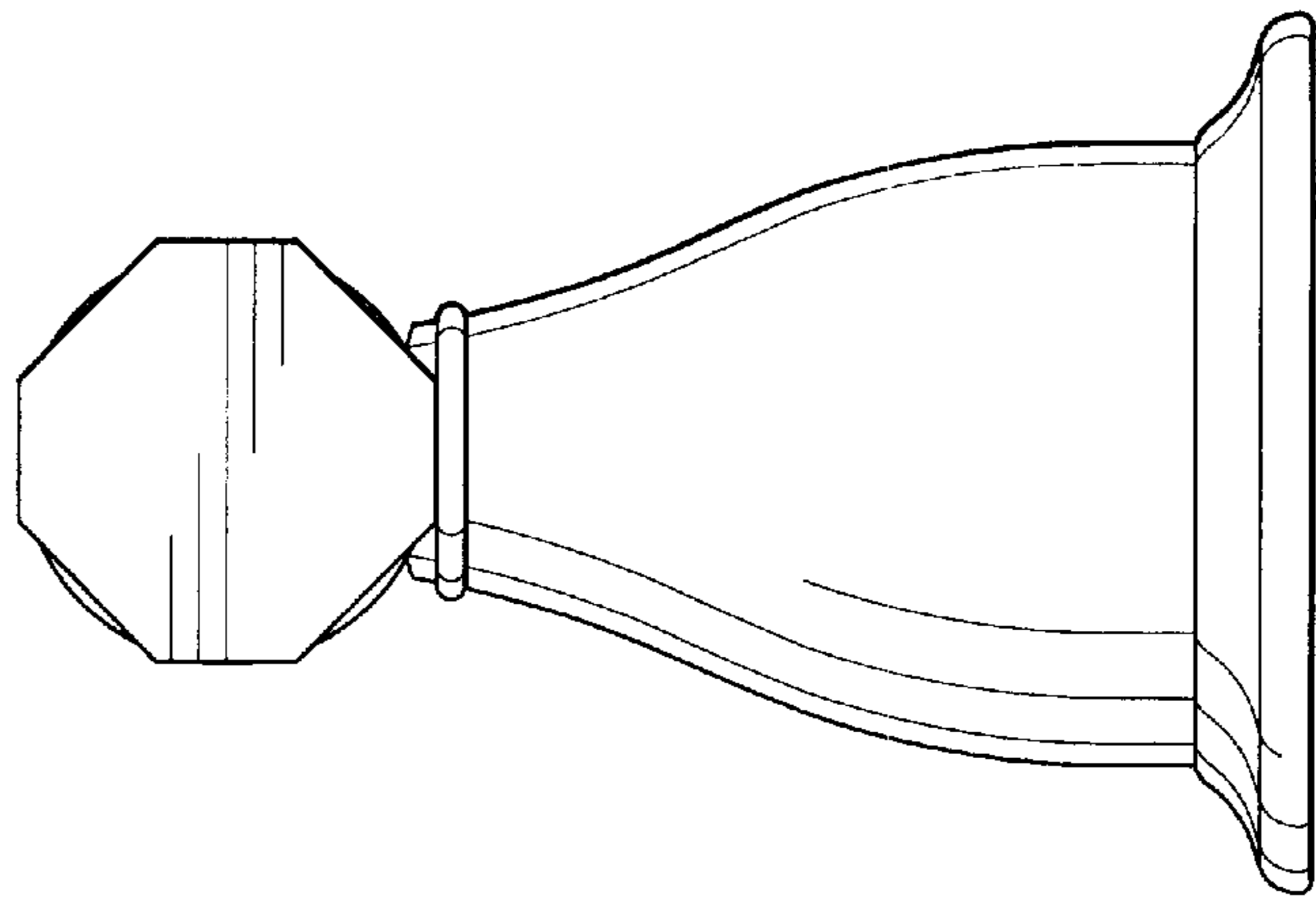


Fig-2

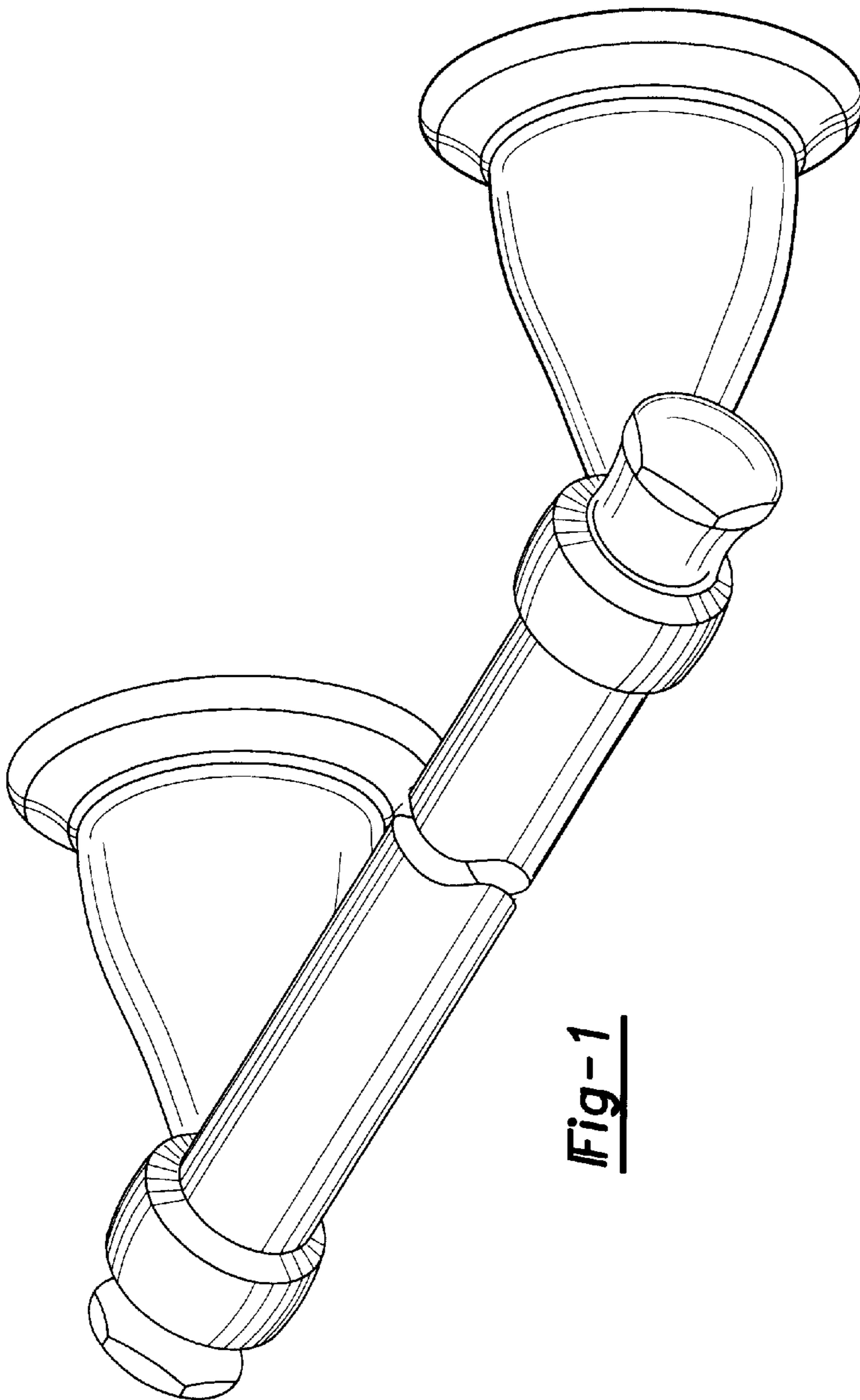


Fig-1

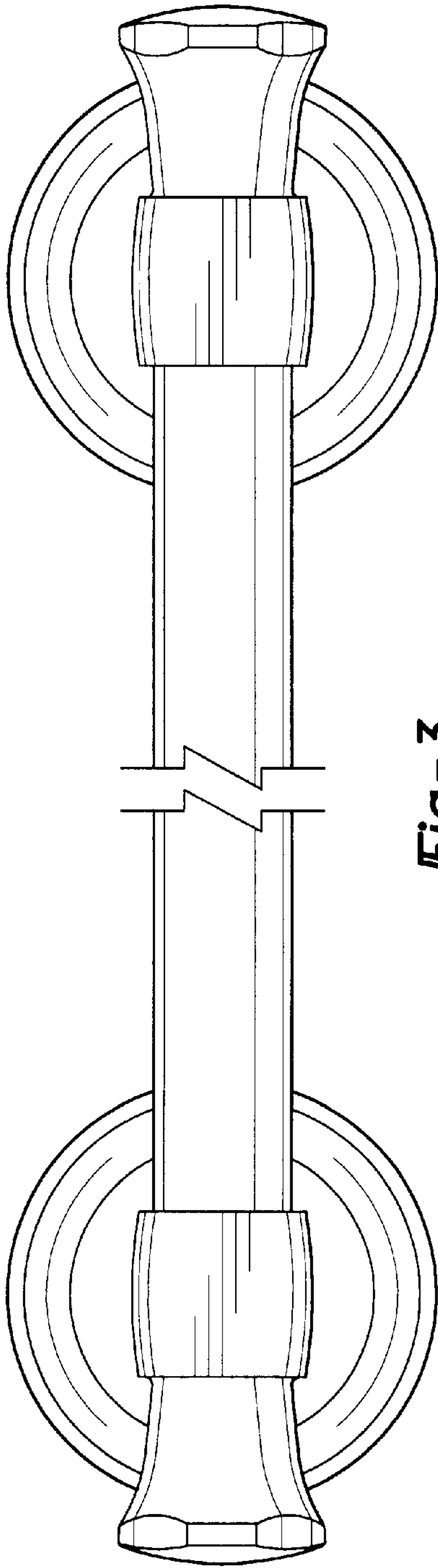


Fig-3

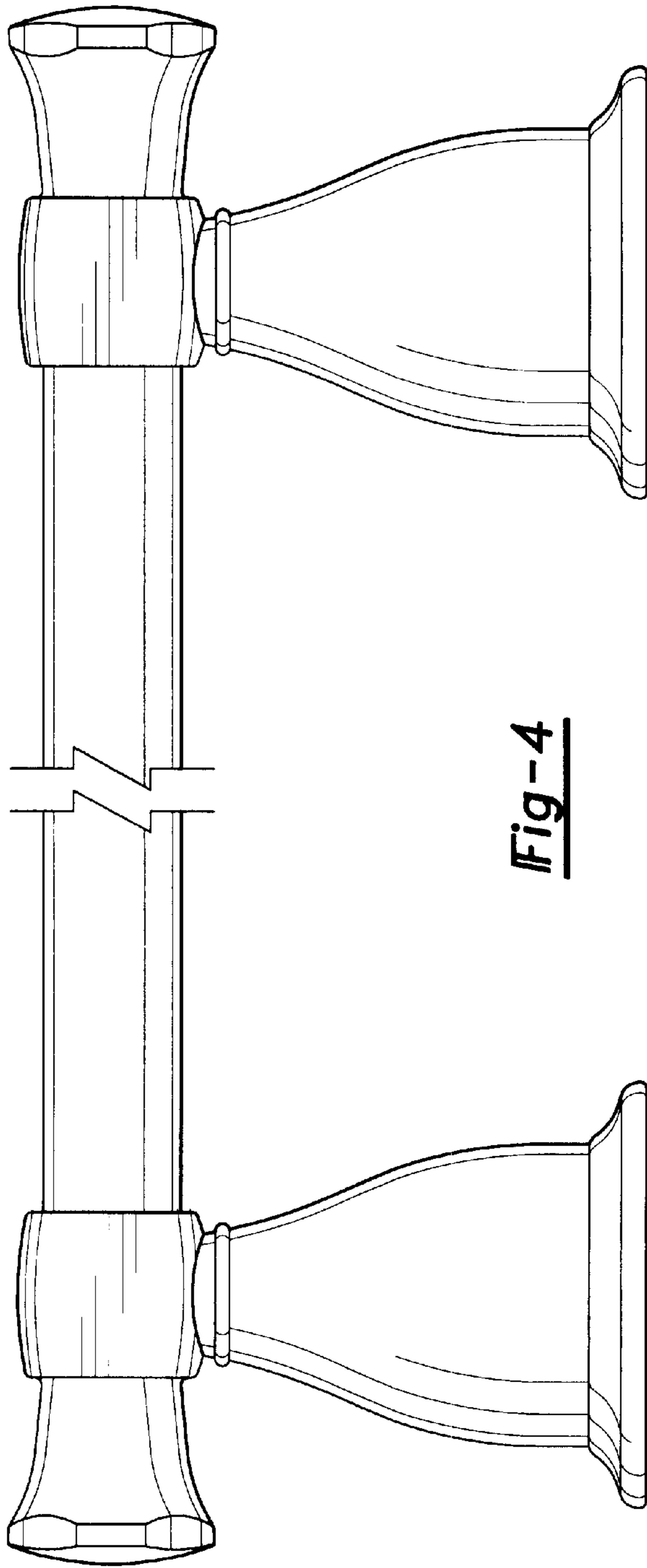


Fig-4