



US00D540594S

(12) **United States Design Patent**
Hoernig

(10) **Patent No.:** **US D540,594 S**

(45) **Date of Patent:** **** Apr. 17, 2007**

(54) **TOWEL BAR**

D492,868 S * 7/2004 Ayers et al. D6/524
D493,313 S * 7/2004 Hoernig D6/524

(75) Inventor: **Victor Hoernig**, Lowell, IN (US)

* cited by examiner

(73) Assignee: **Masco Corporation of Indiana**,
Indianapolis, IN (US)

Primary Examiner—Brian N Vinson

(**) Term: **14 Years**

(74) *Attorney, Agent, or Firm*—Kwadjo Adusei-Poku;
Lloyd D. Doigan

(21) Appl. No.: **29/247,036**

(22) Filed: **May 25, 2006**

(57) **CLAIM**

(51) **LOC (8) Cl.** **06-04**

The ornamental design for a towel bar, as shown and described.

(52) **U.S. Cl.** **D6/548**

(58) **Field of Classification Search** D6/546–550,
D6/518–519, 522–524; D8/300, 303, 315–321,
D8/354, 363, 373, 380; 108/28–29; 211/13.1,
211/16, 60.1, 86.01, 87.01, 88.01, 88.04,
211/100, 105.1–105.2, 119.003, 123, 126.1,
211/133.6, 134, 181.1, 182; 248/175, 176.1,
248/200, 214, 251, 302, 309.1; 16/110.1,
16/412, 415; 242/570, 590; 206/389, 557

DESCRIPTION

See application file for complete search history.

FIG. 1 is a front perspective view of a towel bar showing my new design;

FIG. 2 is a right side elevational view thereof, the left side being a mirror image;

FIG. 3 is a front elevational view thereof;

FIG. 4 is a rear elevational view thereof; and,

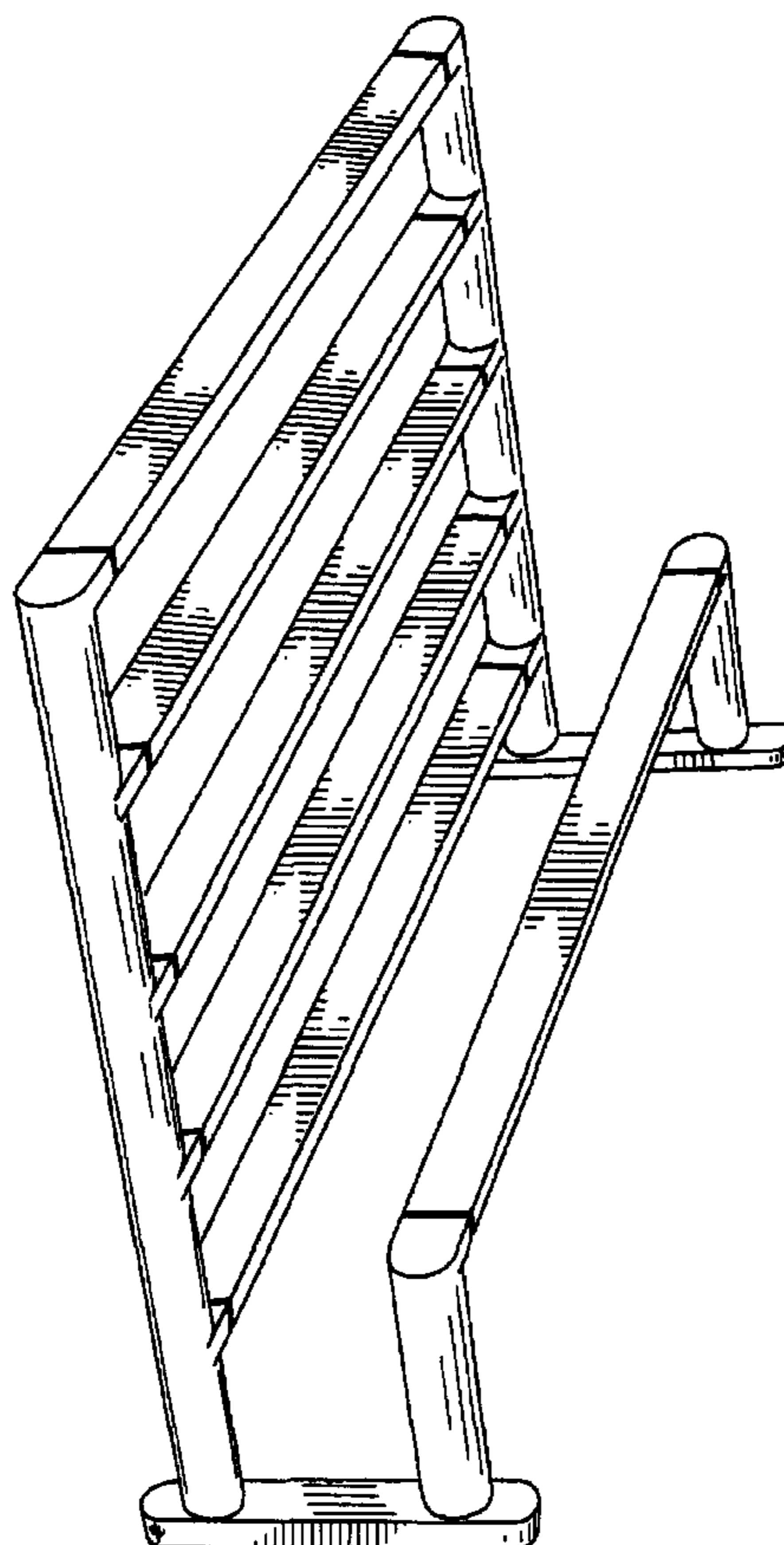
FIG. 5 is a top plan view thereof.

(56) **References Cited**

U.S. PATENT DOCUMENTS

D485,464 S * 1/2004 Clucas D6/566

1 Claim, 5 Drawing Sheets



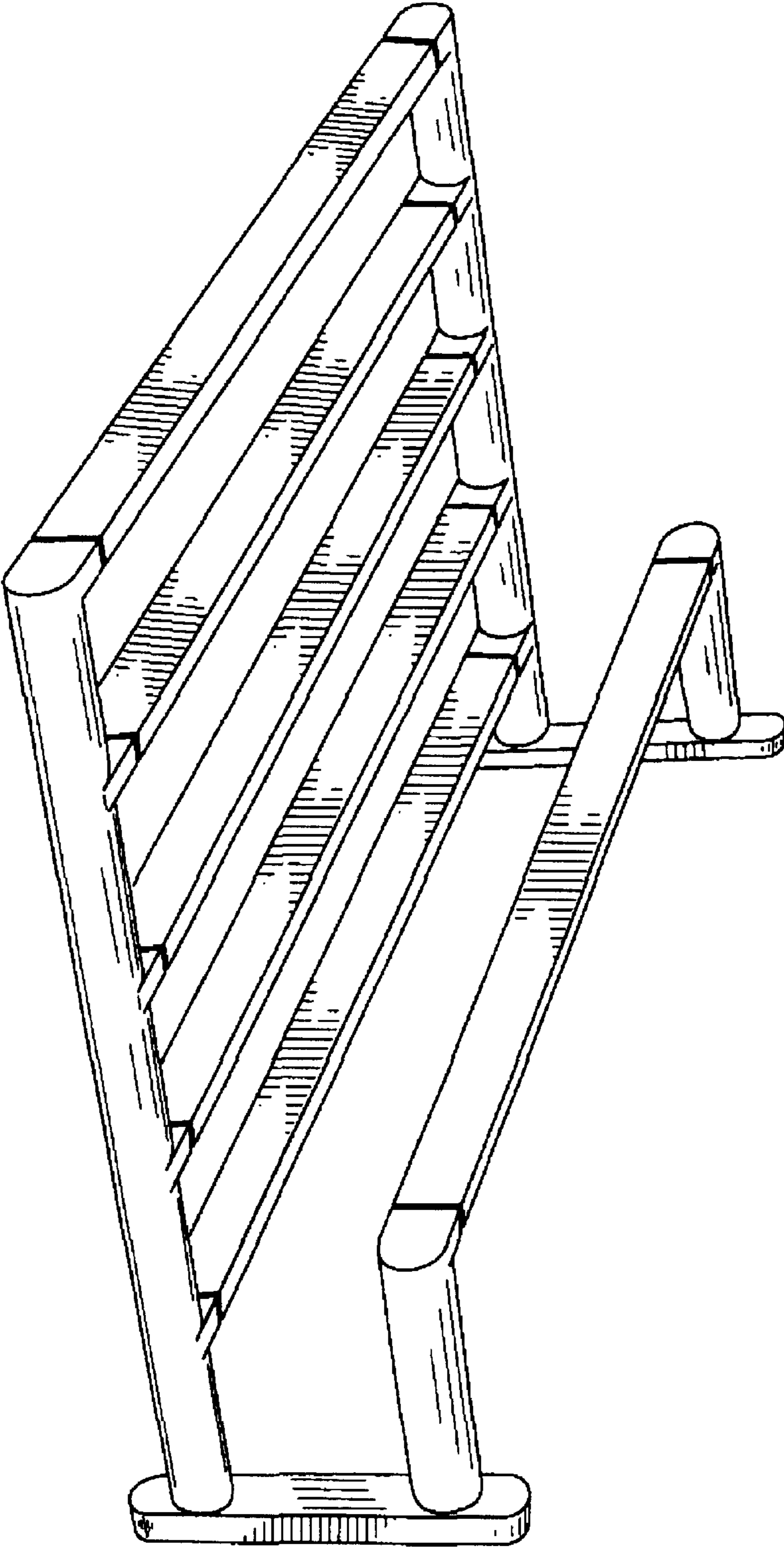


FIG. 1

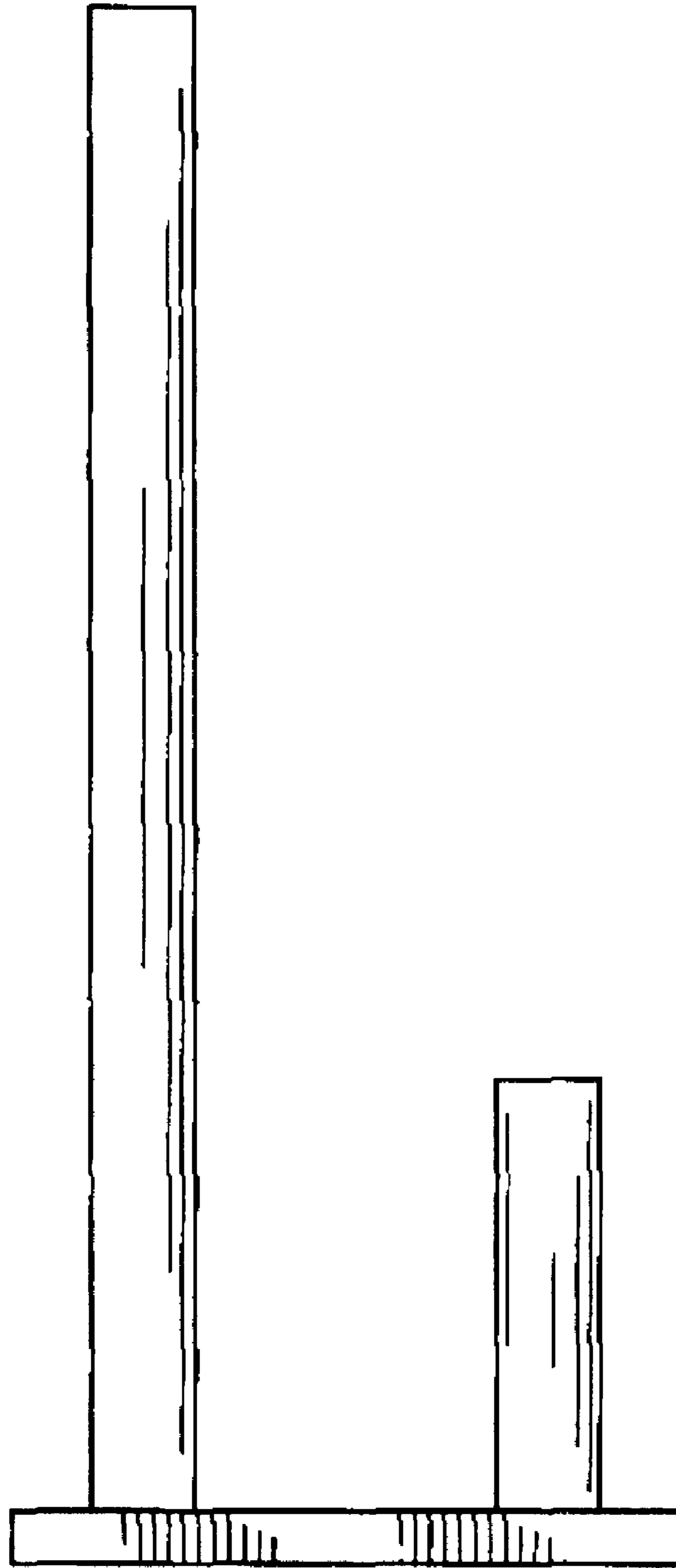


FIG. 2

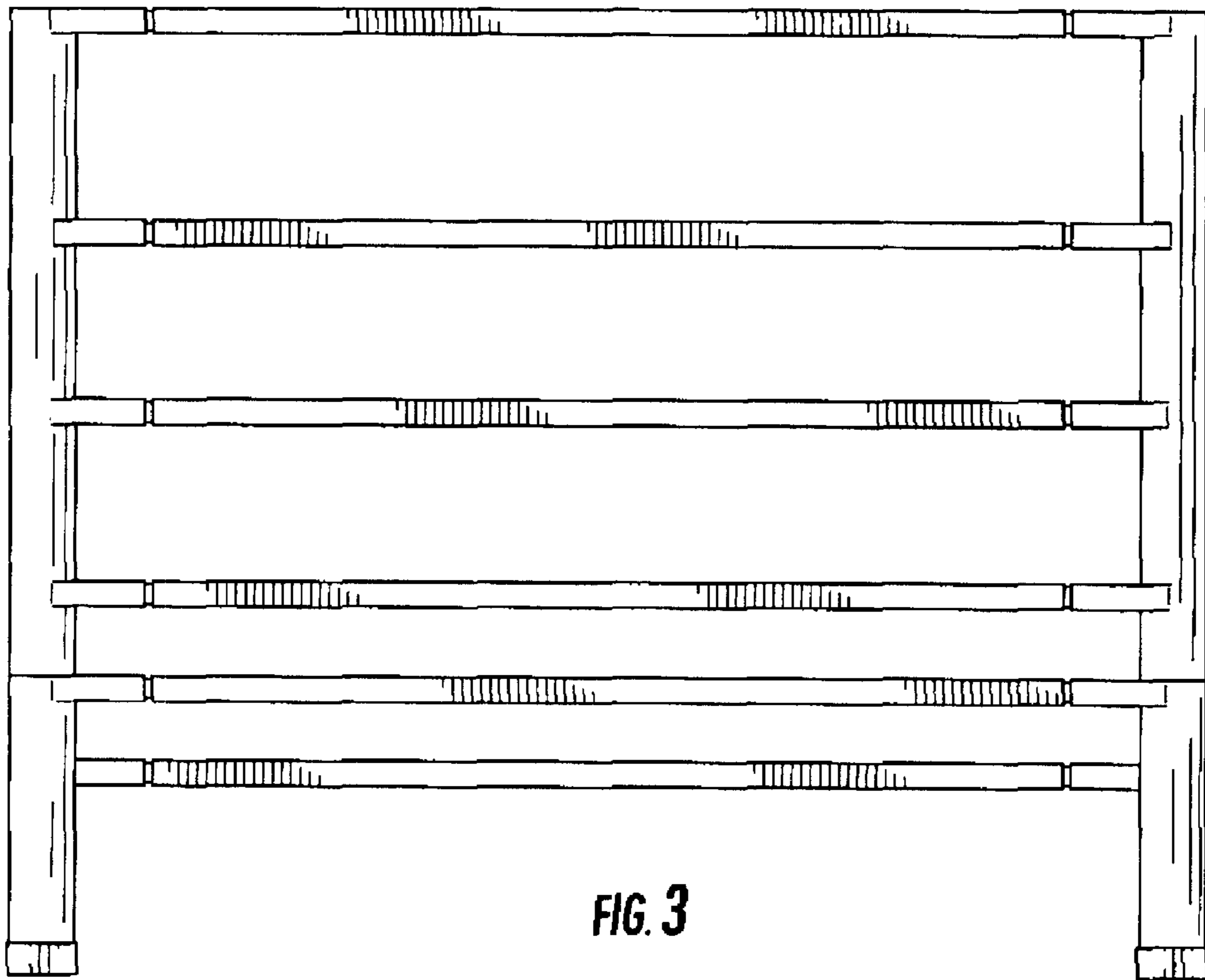


FIG. 3

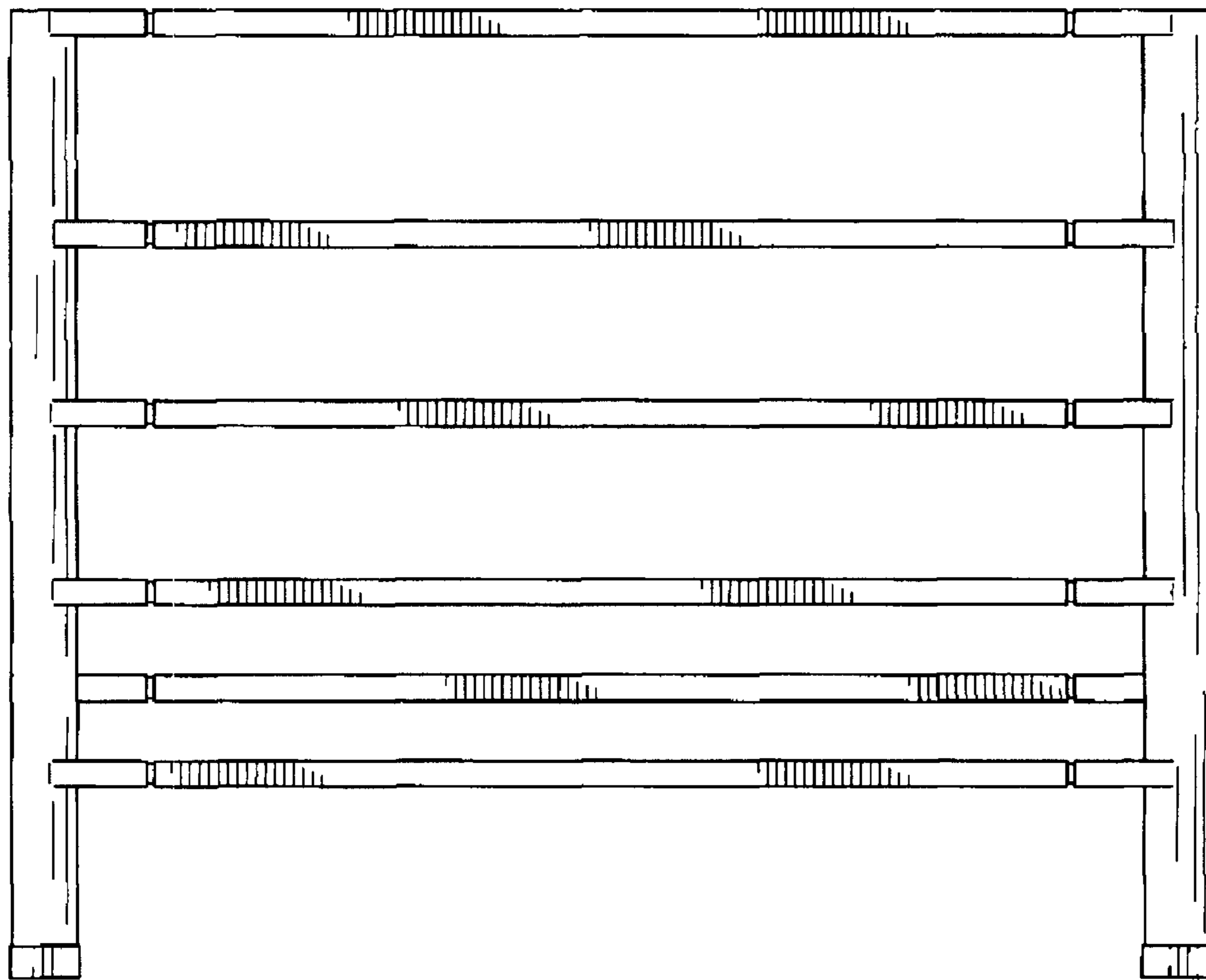


FIG. 4

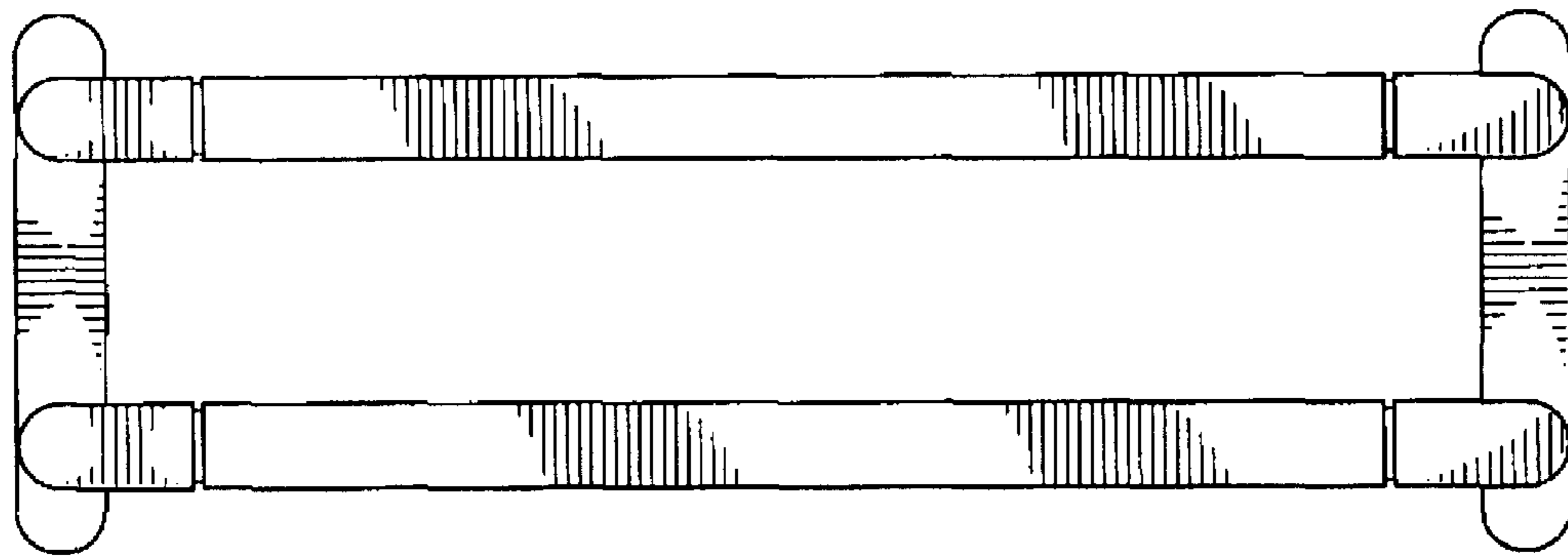


FIG. 5