

US00D540593S

(12) **United States Design Patent**
Hoernig

(10) **Patent No.:** **US D540,593 S**

(45) **Date of Patent:** **** Apr. 17, 2007**

- (54) **TOILET TISSUE HOLDER**
- (75) Inventor: **Victor Hoernig**, Lowell, IN (US)
- (73) Assignee: **Masco Corporation of Indiana**, Indianapolis, IN (US)
- (**) Term: **14 Years**

D450,503 S	*	11/2001	Gottwald	D6/523
D454,456 S	*	3/2002	Meck et al.	D6/523
D455,588 S	*	4/2002	Ou-Young	D6/523
D465,366 S	*	11/2002	Ouyoung	D6/523
D477,167 S	*	7/2003	Hoernig	D6/523
D477,731 S	*	7/2003	Hoernig	D6/523
D486,681 S	*	2/2004	Hoernig	D6/523
D492,865 S	*	7/2004	Graves et al.	D6/523

- (21) Appl. No.: **29/247,034**
- (22) Filed: **May 25, 2006**
- (51) **LOC (8) Cl.** **23-02**
- (52) **U.S. Cl.** **D6/523**
- (58) **Field of Classification Search** D6/546-550,
D6/518-519, 522-524; D8/300, 303, 315-321;
108/28-29; 211/13.1, 16, 60.1, 86.01, 87.01,
211/88.01, 88.04, 100, 105.1-105.2, 123,
211/181.1, 182; 248/175, 176.1, 251, 302;
16/110.1, 412, 415; 242/570, 590, 595-598
See application file for complete search history.

* cited by examiner

Primary Examiner—Brian N Vinson
(74) *Attorney, Agent, or Firm*—Kwadjo Adusei-Poku;
Lloyd D. Doigan

(57) **CLAIM**

The ornamental design for a toilet tissue holder, as shown and described.

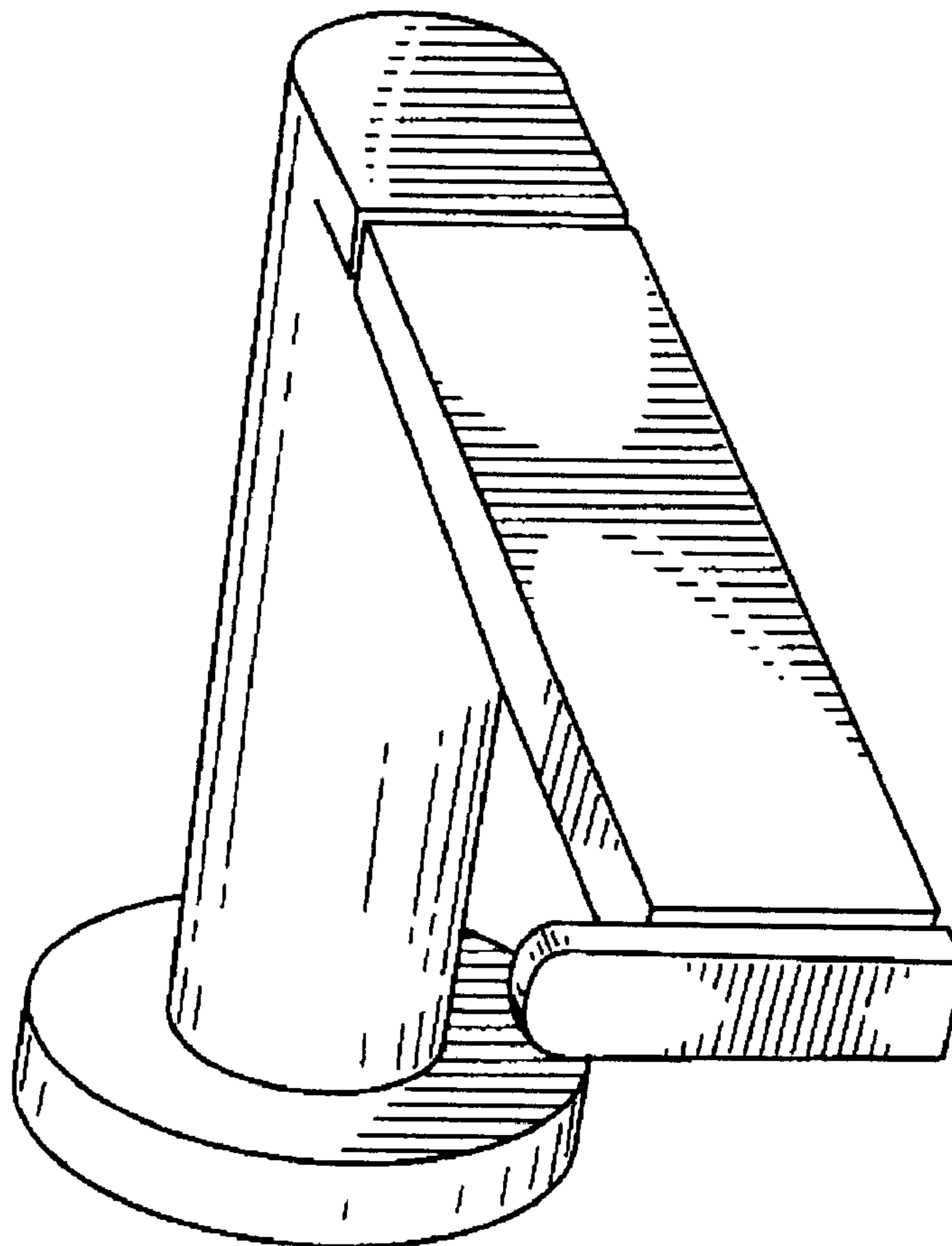
DESCRIPTION

FIG. 1 is a front perspective view of a toilet tissue holder showing my new design;
FIG. 2 is a top plan view thereof;
FIG. 3 is a right side elevational view thereof;
FIG. 4 is a rear elevational view thereof; and,
FIG. 5 is a front elevational view thereof.

(56) **References Cited**
U.S. PATENT DOCUMENTS

D218,331 S	*	8/1970	Utz	D6/523
D439,779 S	*	4/2001	Wu	D6/523

1 Claim, 5 Drawing Sheets



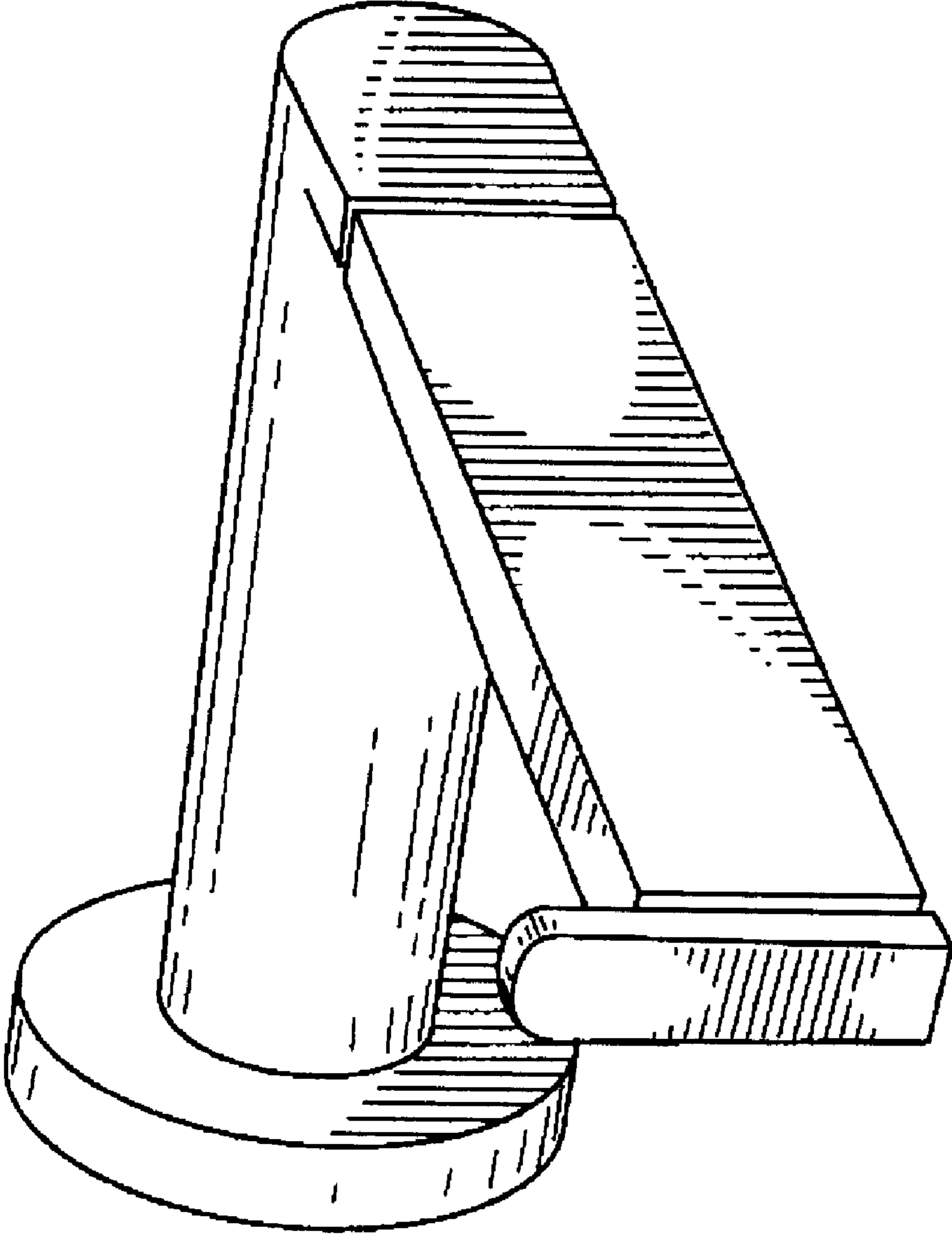


FIG. 1

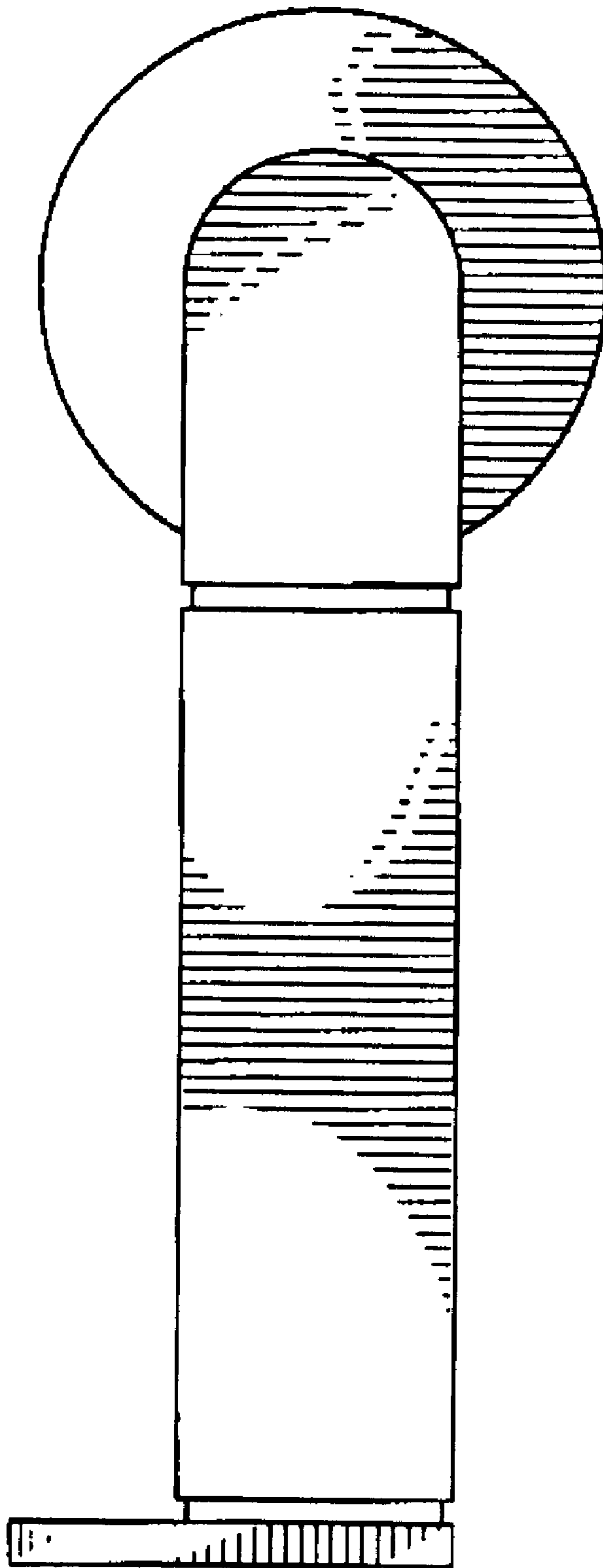


FIG. 2

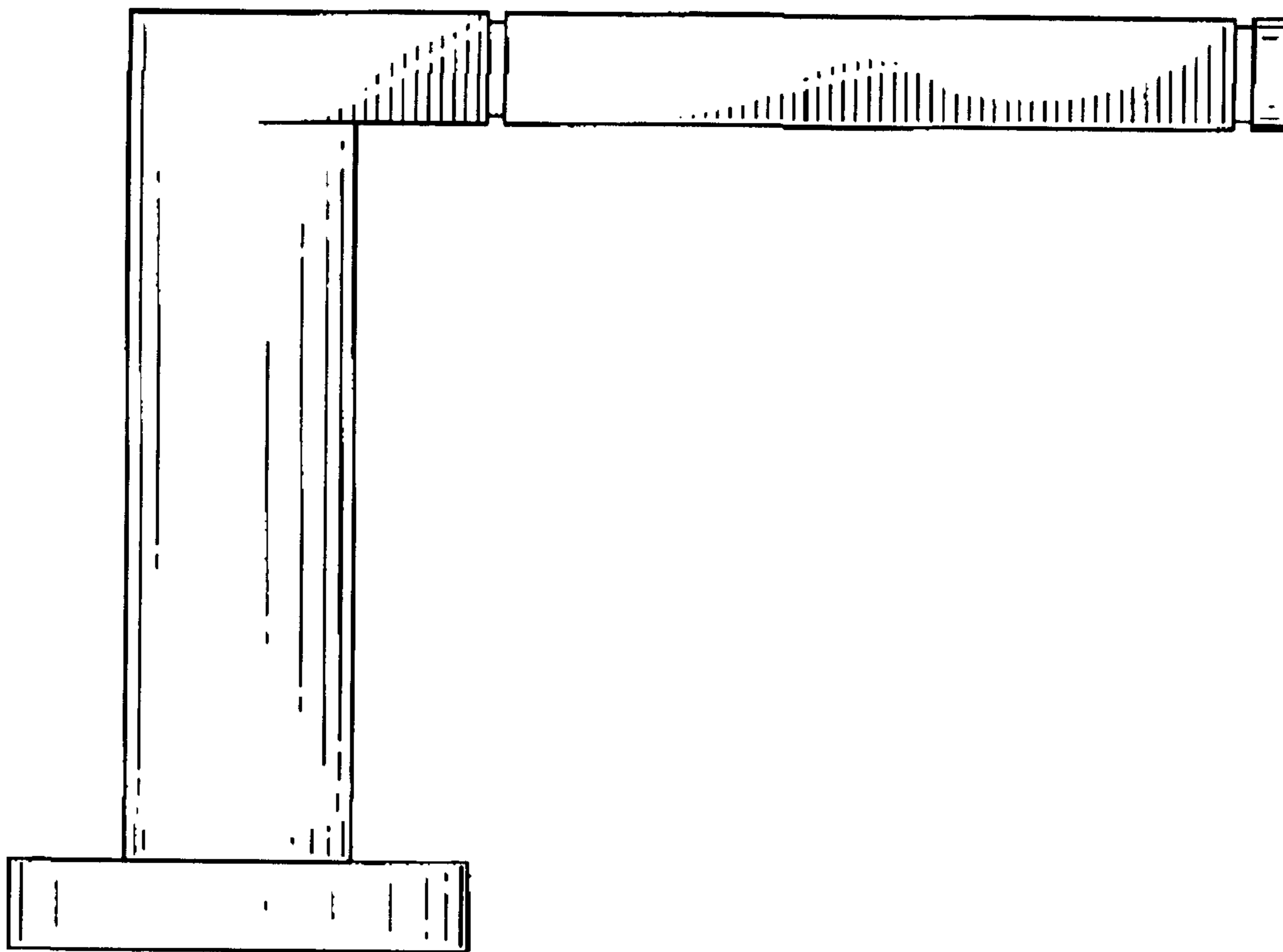


FIG. 3

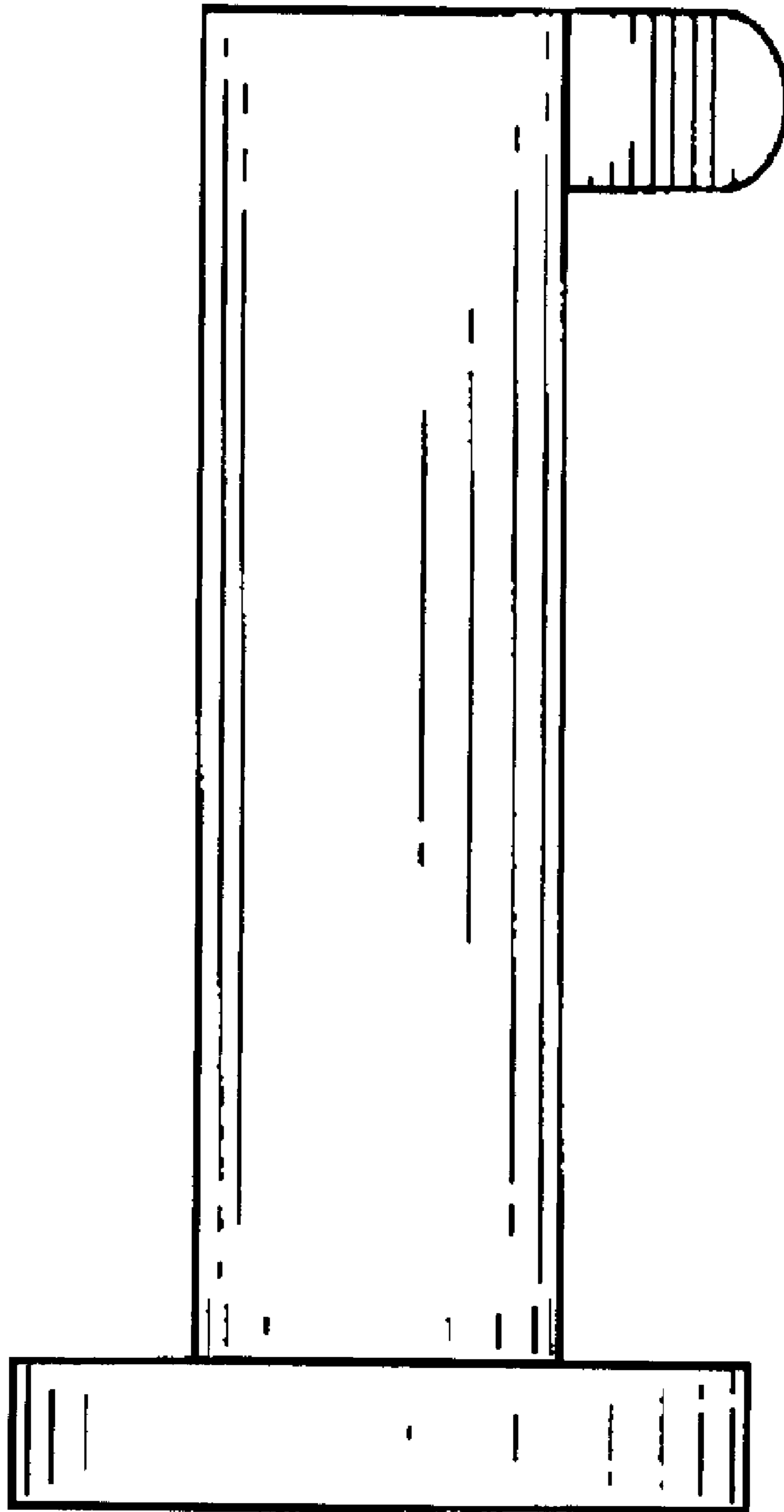


FIG. 4

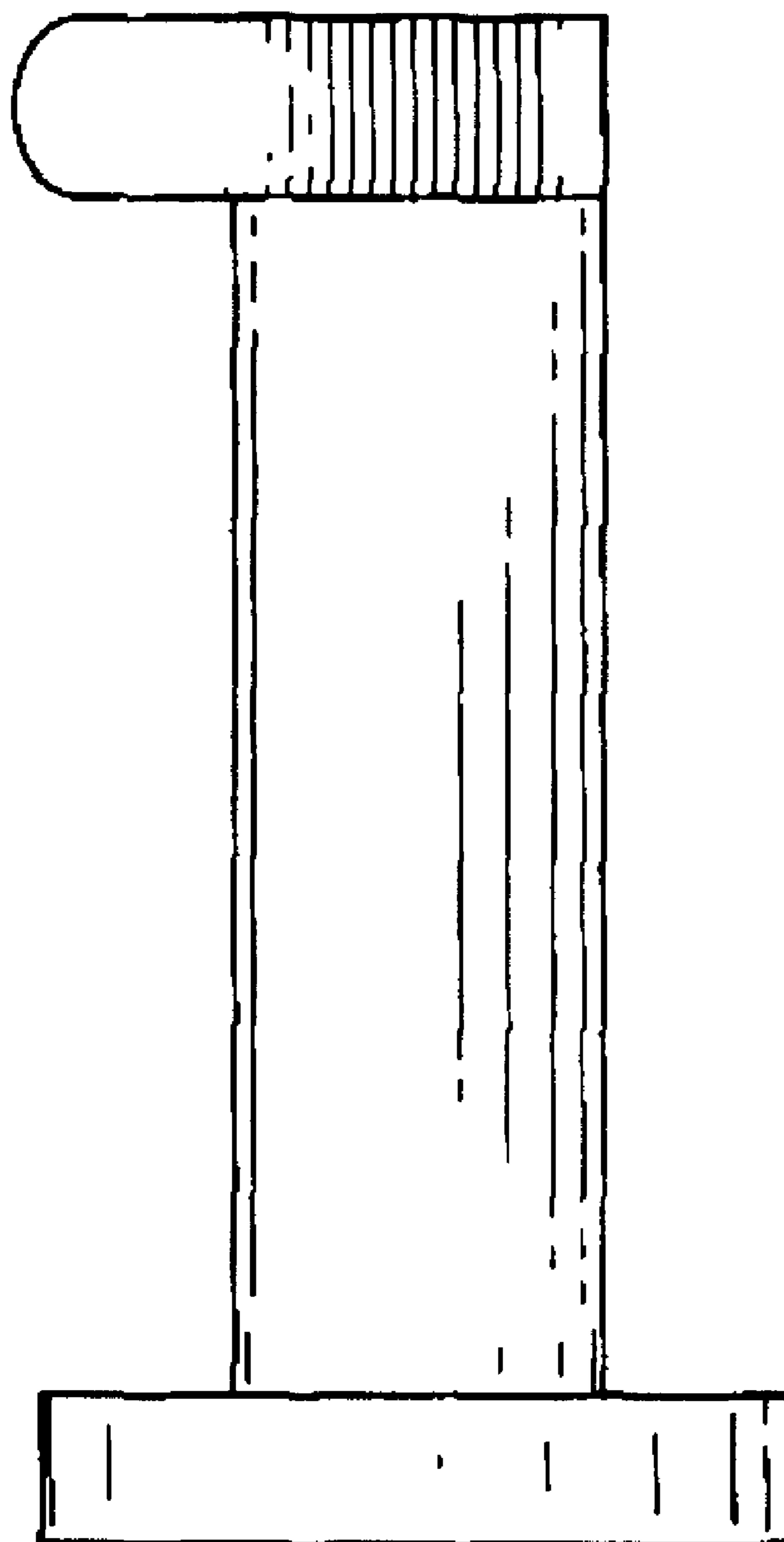


FIG. 5