

US00D540591S

(12) **United States Design Patent**  
**Snell**

(10) **Patent No.:** **US D540,591 S**

(45) **Date of Patent:** **\*\* Apr. 17, 2007**

(54) **TOILET TISSUE HOLDER**

(75) Inventor: **Russell Benton Snell**, Bentleyville, OH  
(US)

(73) Assignee: **InterDesign, Inc.**, Solon, OH (US)

(\*\*) Term: **14 Years**

(21) Appl. No.: **29/242,812**

(22) Filed: **Nov. 15, 2005**

(51) **LOC (8) Cl.** ..... **23-02**

(52) **U.S. Cl.** ..... **D6/523**

(58) **Field of Classification Search** ..... D6/518–523;  
211/13.1, 16, 86.01, 87.01; 242/570, 590,  
242/595

See application file for complete search history.

(56) **References Cited**

**U.S. PATENT DOCUMENTS**

D383,630 S	*	9/1997	Goodman	.....	D6/523
D409,028 S	*	5/1999	Goodman	.....	D6/523
D428,743 S	*	8/2000	Goodman et al.	.....	D6/522
D448,592 S	*	10/2001	McBride	.....	D6/522
D513,680 S	*	1/2006	Snell	.....	D6/523

**OTHER PUBLICATIONS**

InterDesign, Inc. Product Brochure—2004, p. 33.

\* cited by examiner

*Primary Examiner*—Brian N Vinson

(74) *Attorney, Agent, or Firm*—D. Peter Hochberg; Sean Mellino

(57) **CLAIM**

The ornamental design for a toilet tissue holder, as shown and described.

**DESCRIPTION**

FIG. 1 is a perspective view of the toilet tissue holder according to the invention;

FIG. 2 is a top view of the toilet tissue holder as shown in FIG. 1;

FIG. 3 is a front view of the toilet tissue holder as shown in FIG. 1;

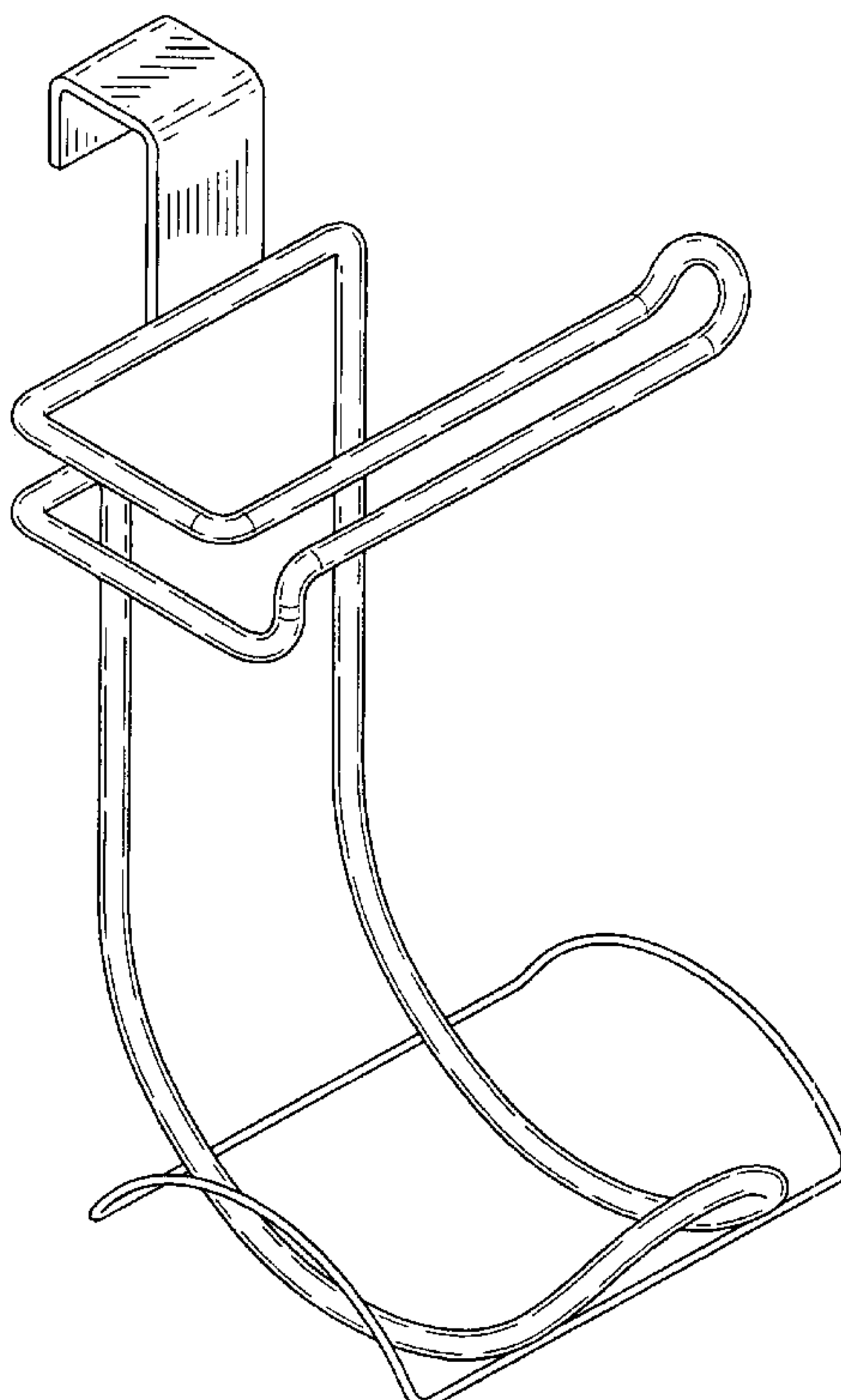
FIG. 4 is a side view of the toilet tissue holder as shown in FIG. 1;

FIG. 5 is a rear view of the toilet tissue holder as shown in FIG. 1;

FIG. 6 is a side view of the toilet tissue holder as shown in FIG. 1, shown from the opposite side as that shown in FIG. 4; and,

FIG. 7 is a bottom view of the toilet tissue holder as shown in FIG. 1.

**1 Claim, 3 Drawing Sheets**



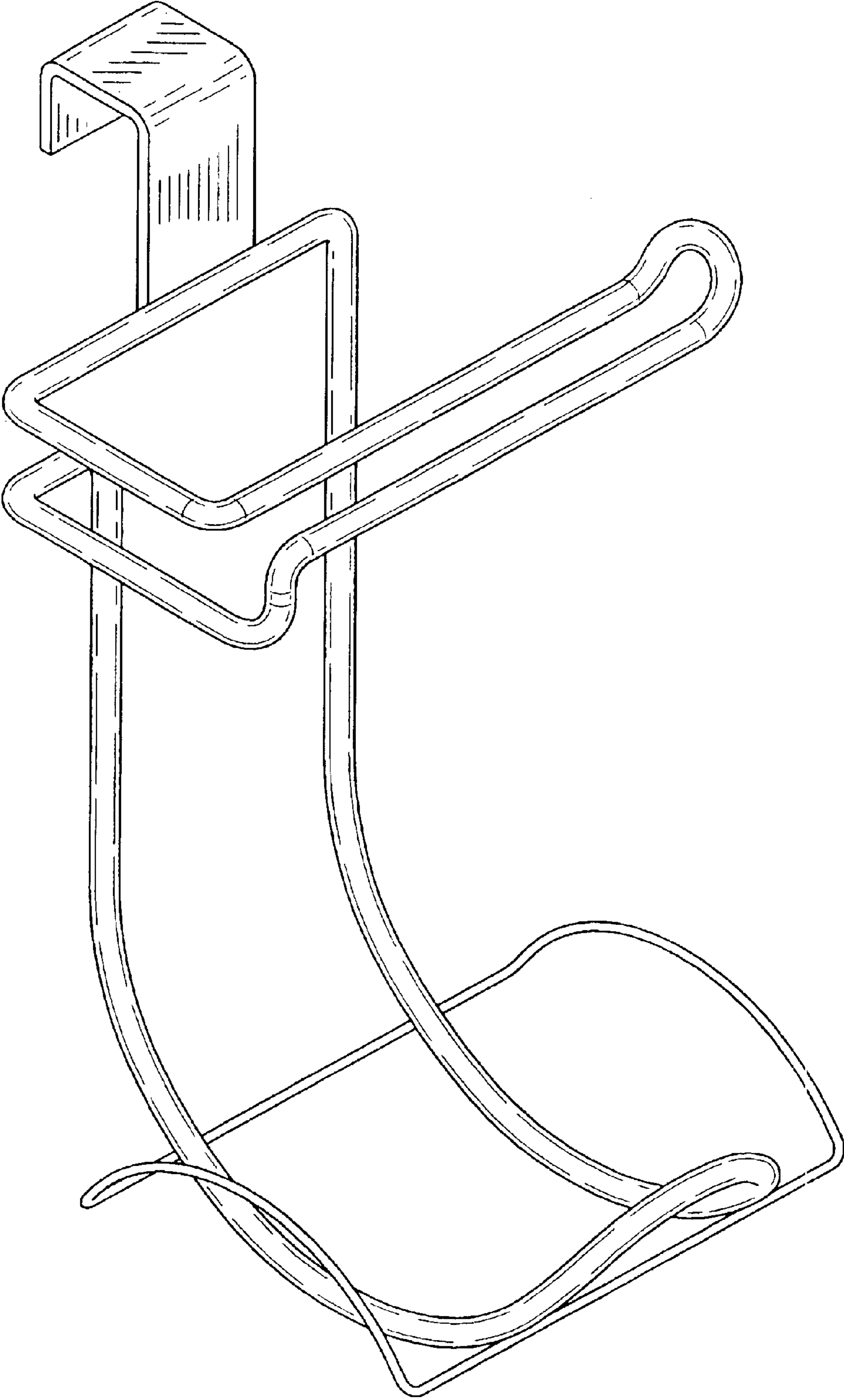


FIG-1

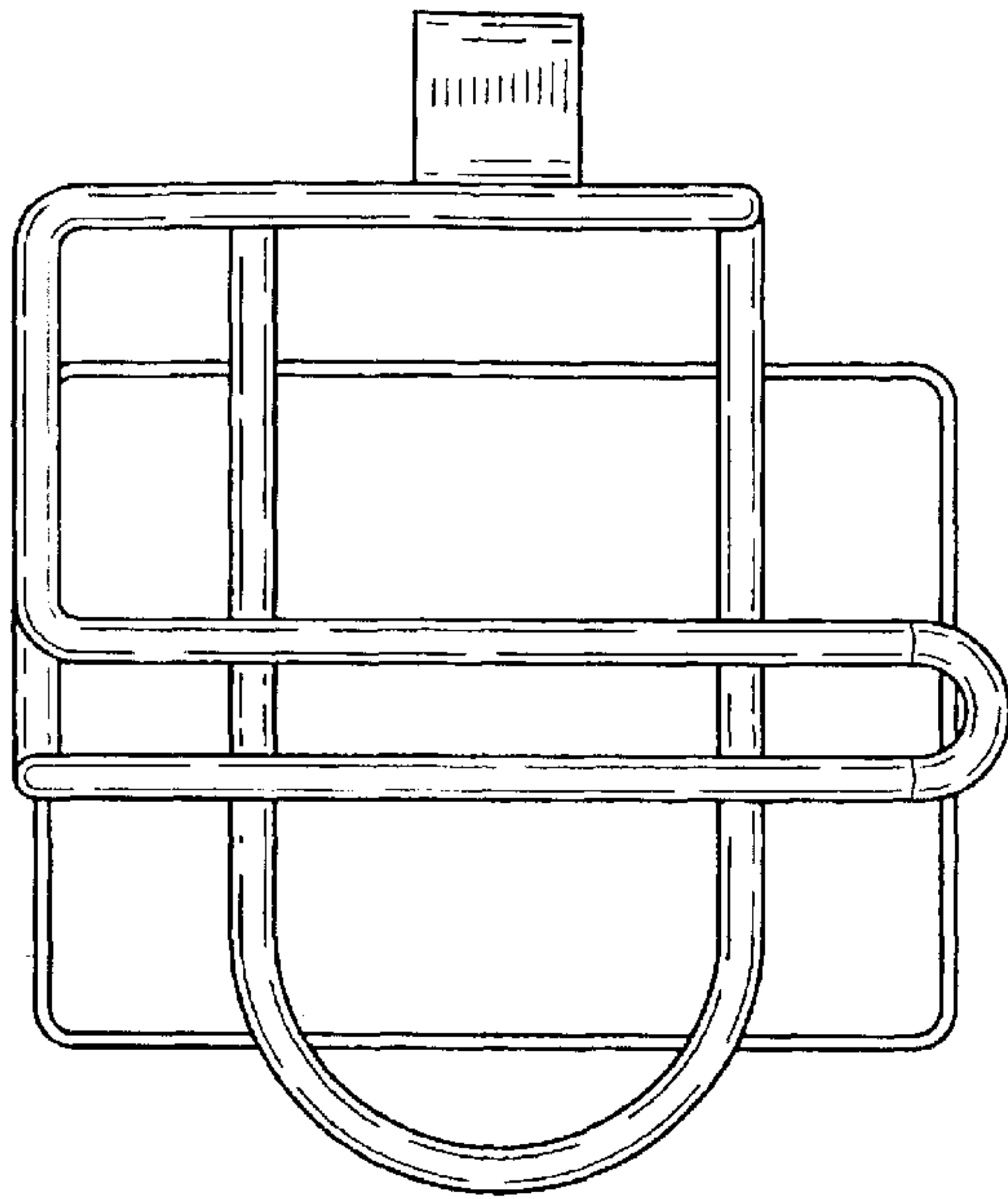


FIG-2

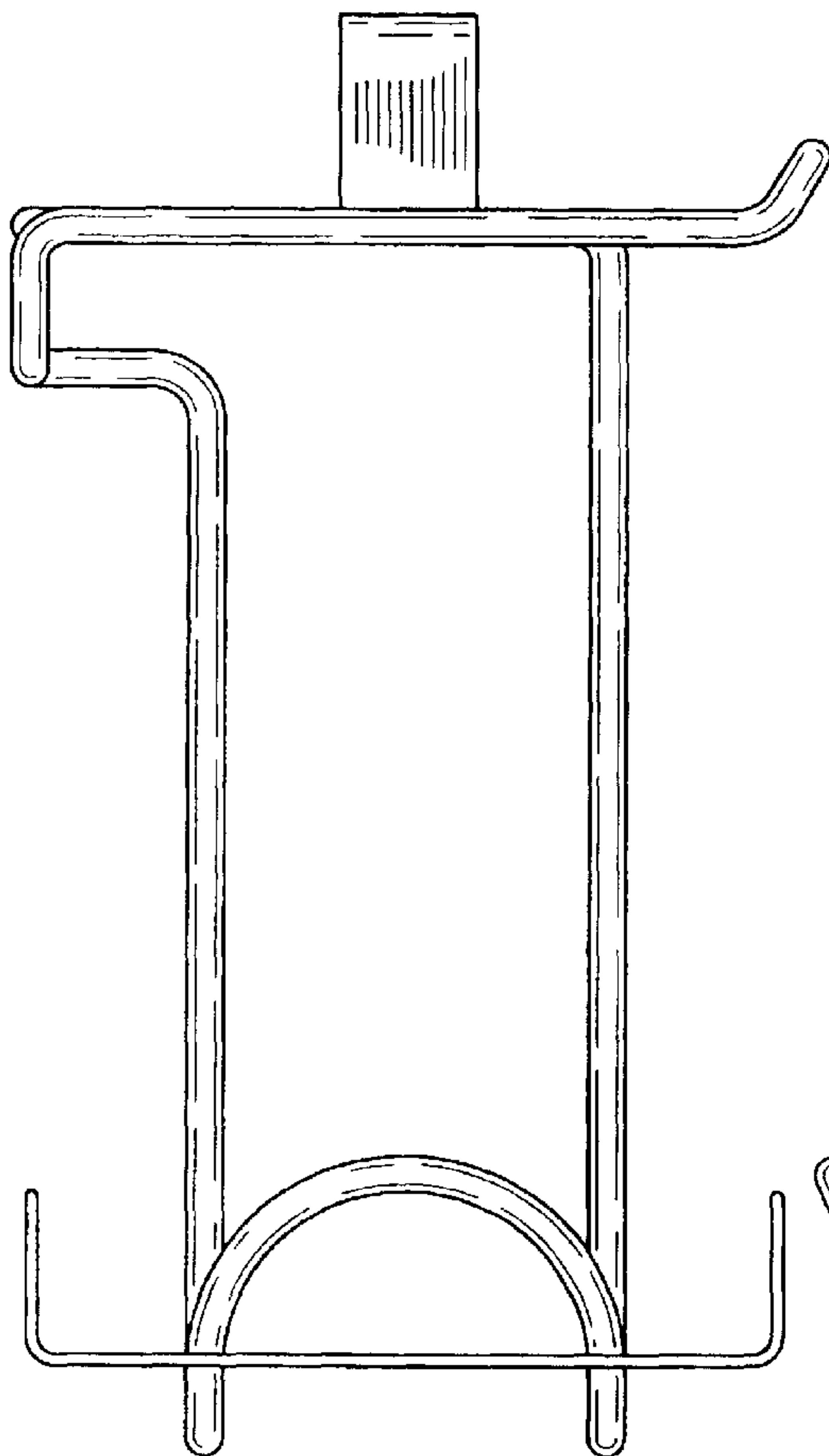


FIG-3

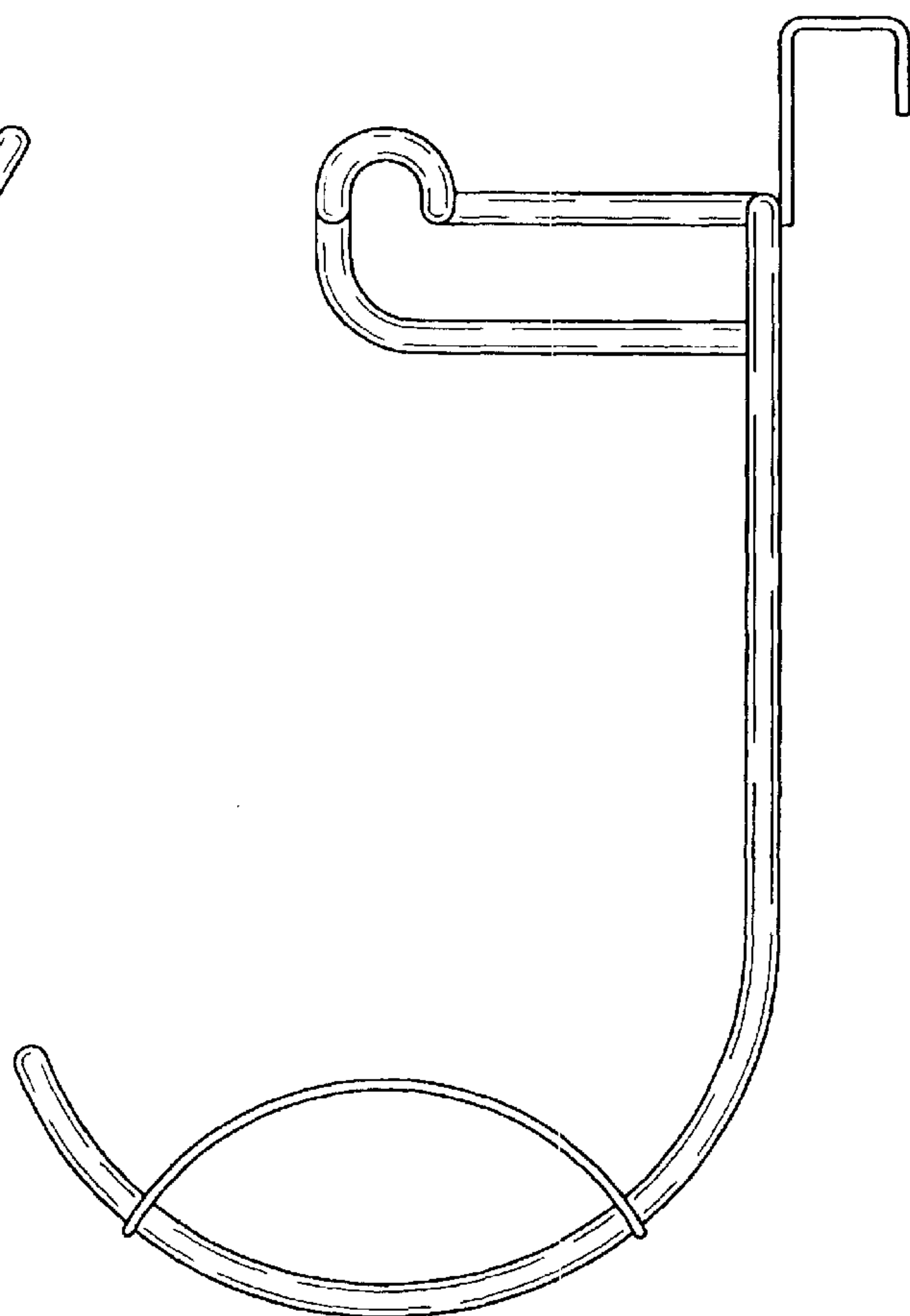


FIG-4

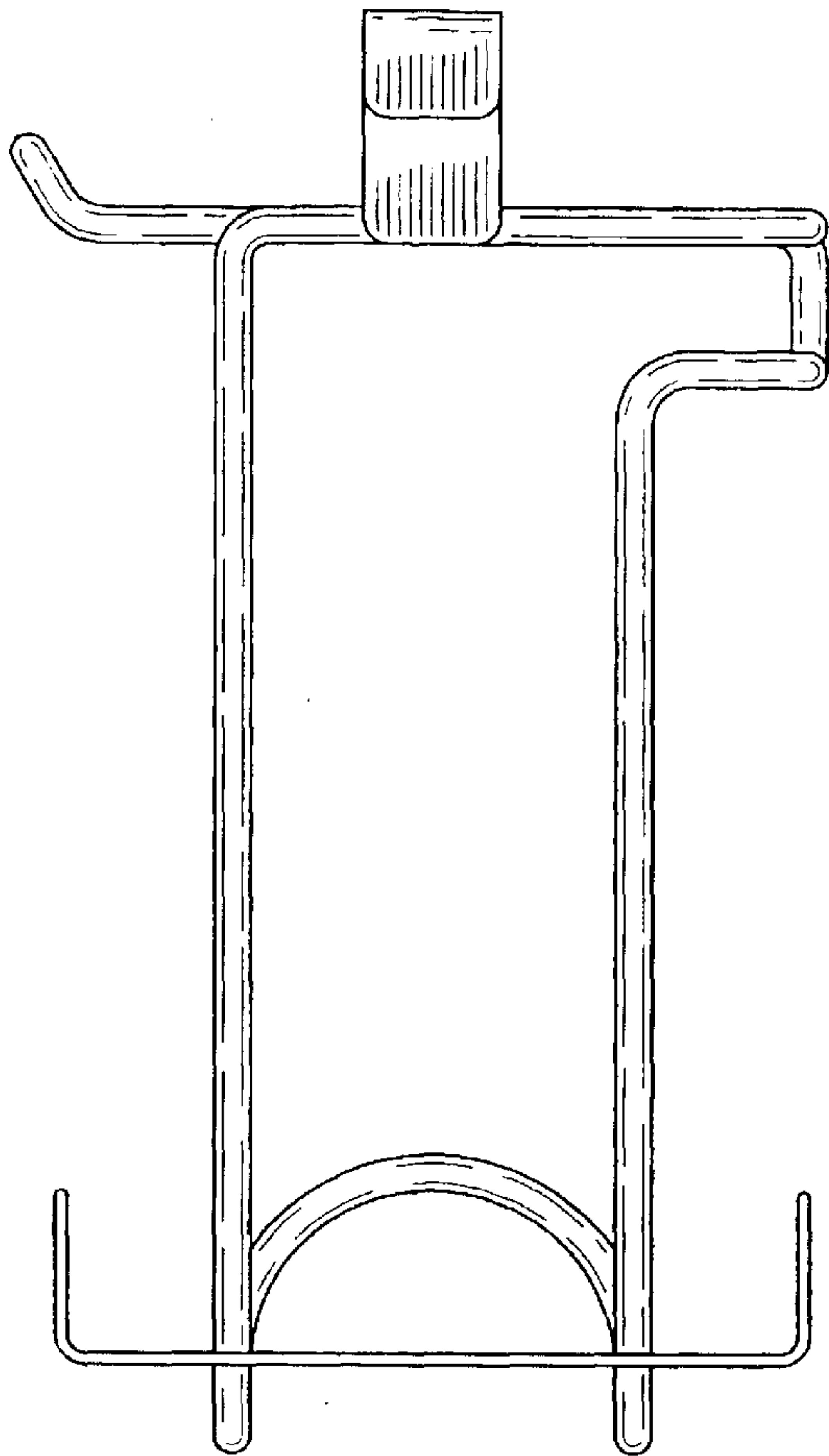


FIG-5

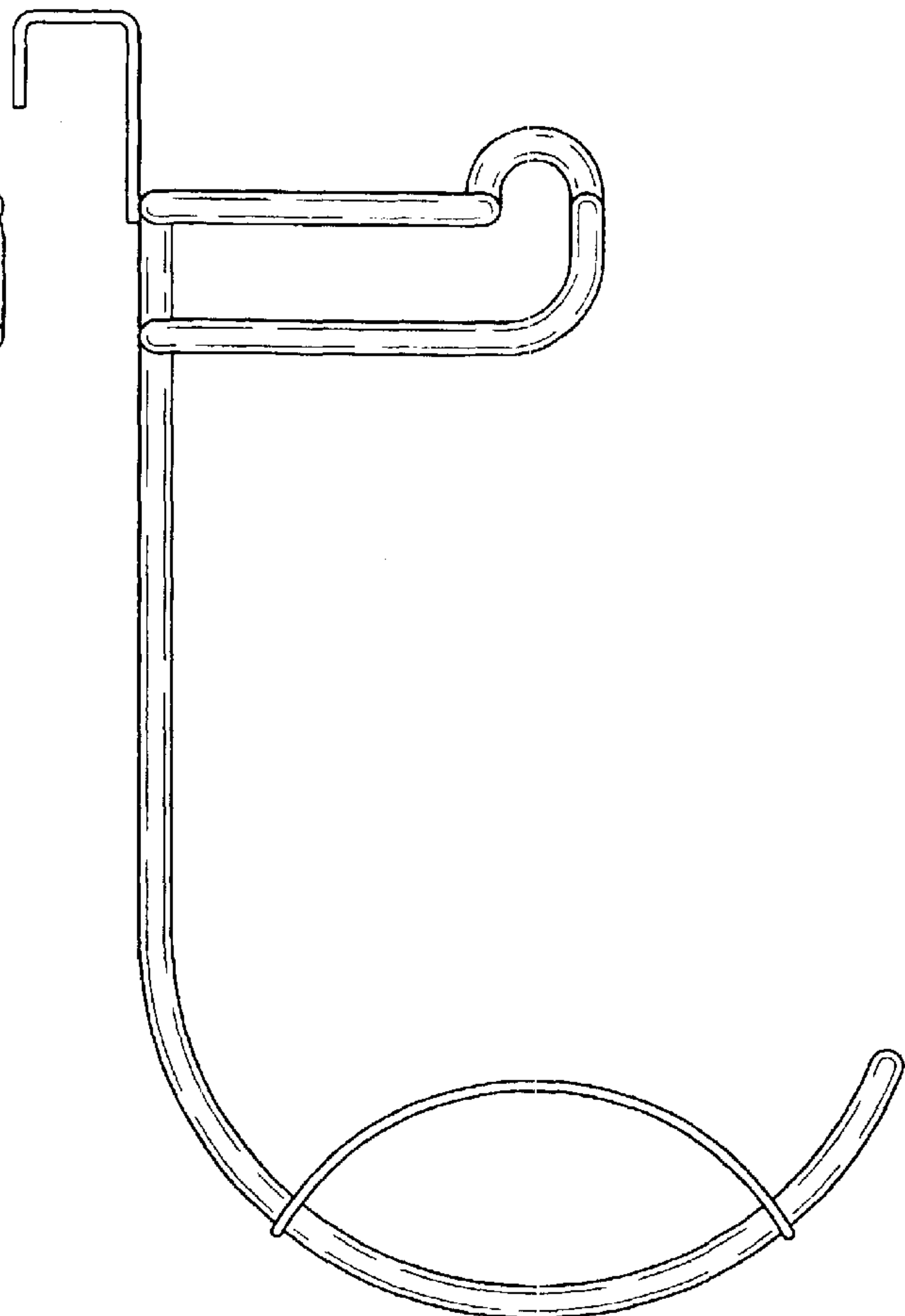


FIG-6

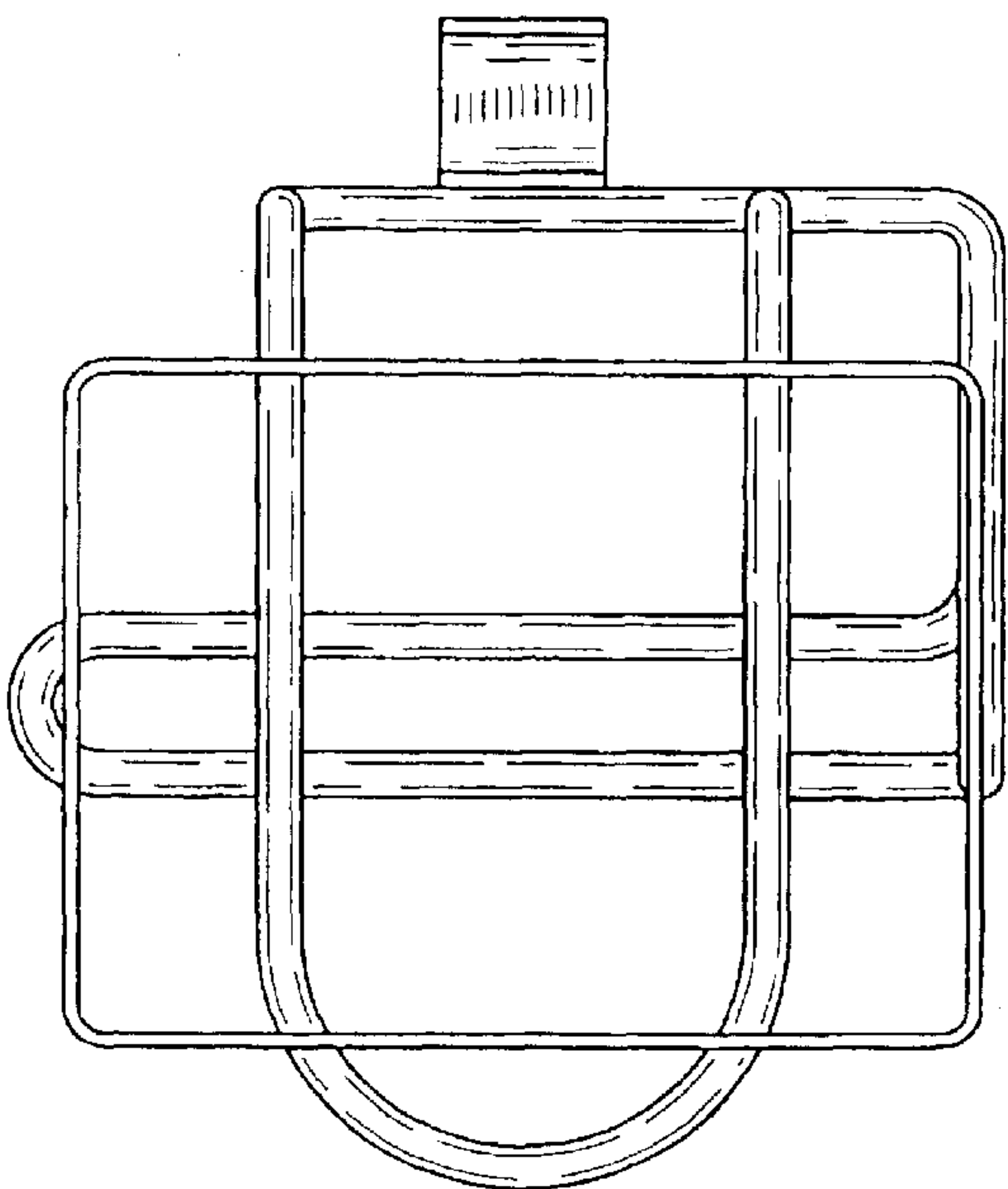


FIG-7