

US00D540589S

(12) **United States Design Patent**  
**Farias**

(10) **Patent No.:** **US D540,589 S**

(45) **Date of Patent:** **\*\* Apr. 17, 2007**

(54) **DECORATIVE TOILET PAPER ROLL HOLDER**

(76) Inventor: **Rafael Farias**, 2103 Pine Ave., Haines City, FL (US) 33844

(\*\*) Term: **14 Years**

(21) Appl. No.: **29/229,069**

(22) Filed: **May 4, 2005**

(51) **LOC (8) Cl.** ..... **23-02**

(52) **U.S. Cl.** ..... **D6/523**

(58) **Field of Classification Search** ..... D6/546-550, D6/518-519, 522-524; D8/300, 303, 315-321; 108/28-29; 211/13.1, 16, 60.1, 86.01, 87.01, 211/88.01, 88.04, 100, 105.1-105.2, 123, 211/181.1, 182; 248/175, 176.1, 251, 302; 16/110.1, 412, 415; 242/570, 590, 595-598  
See application file for complete search history.

(56) **References Cited**

**U.S. PATENT DOCUMENTS**

3,823,889 A 7/1974 Johnson et al.

4,416,425 A 11/1983 Kish  
4,565,335 A 1/1986 Rankin  
5,149,003 A 9/1992 Tharp  
D371,709 S 7/1996 Jordan  
6,189,828 B1 2/2001 Reilly  
D523,673 S \* 6/2006 Nida ..... D6/523

\* cited by examiner

*Primary Examiner*—Brian N Vinson

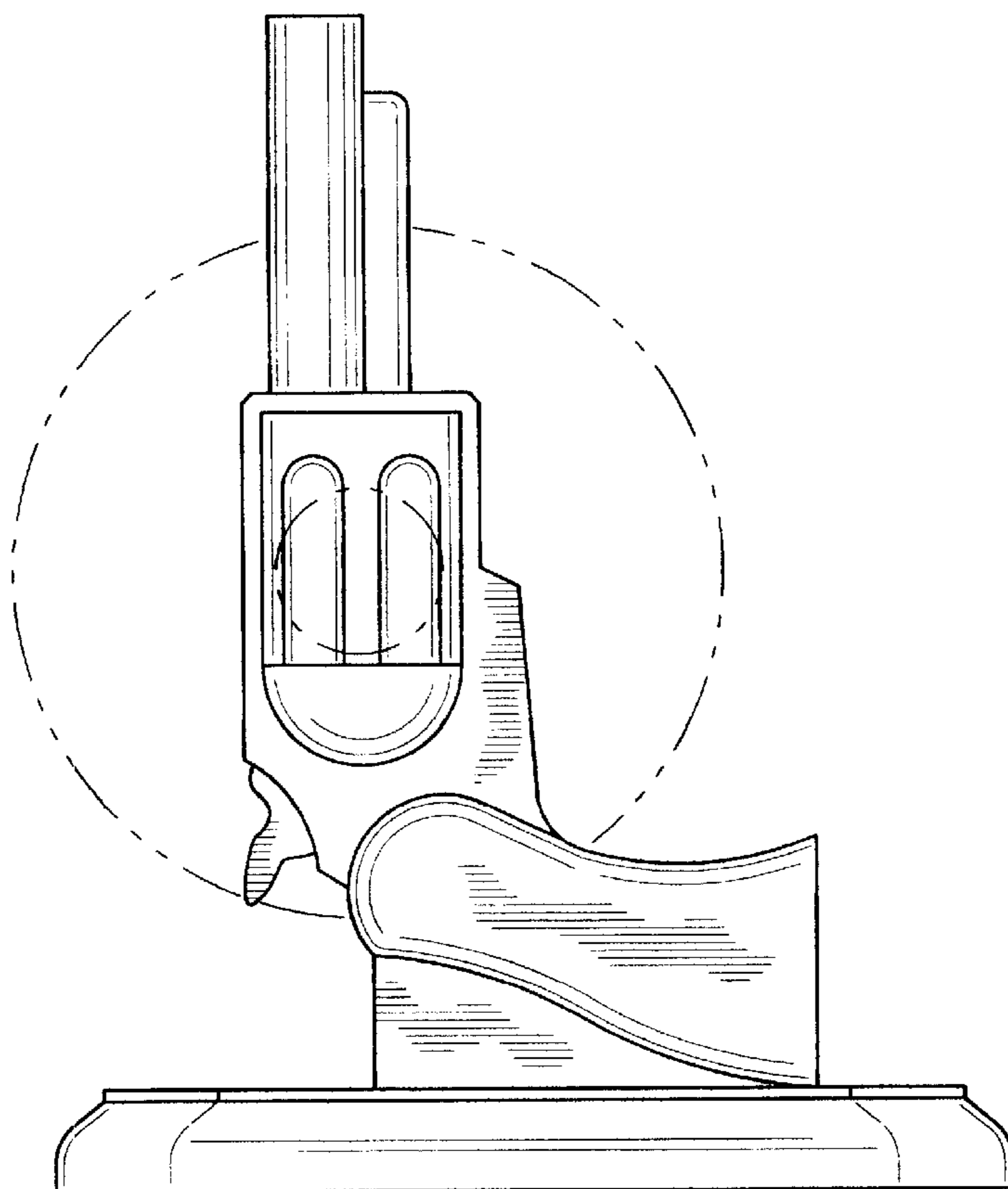
(57) **CLAIM**

The ornamental design for a decorative toilet paper roll holder, as shown and described.

**DESCRIPTION**

FIG. 1 is a right side elevational view of a decorative toilet paper roll holder showing my new design;  
FIG. 2 is a top plan view thereof;  
FIG. 3 is a bottom plan view thereof;  
FIG. 4 is a front elevational view thereof;  
FIG. 5 is a rear elevational view thereof; and,  
FIG. 6 is a perspective view thereof.

**1 Claim, 6 Drawing Sheets**



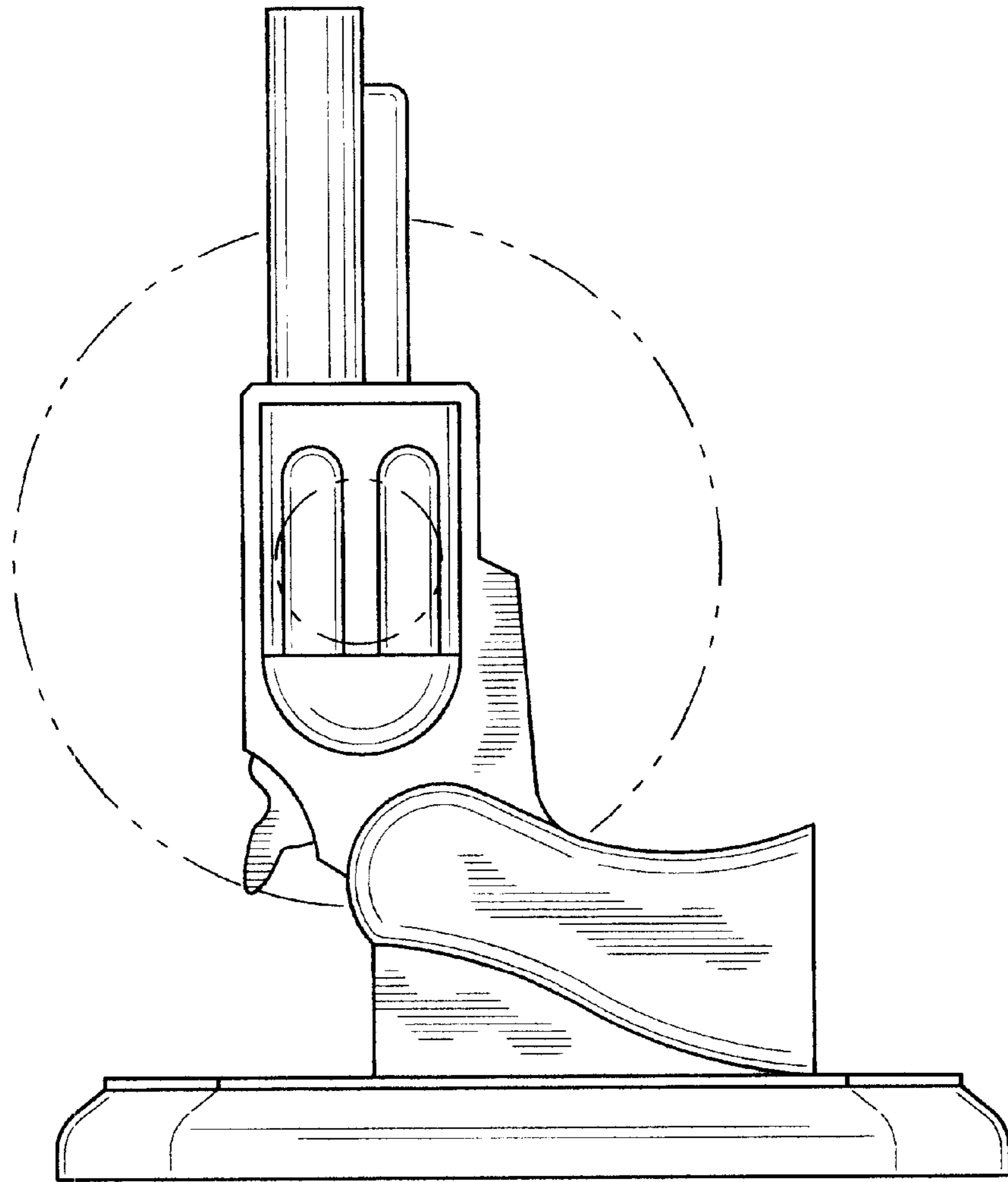


FIG. 1

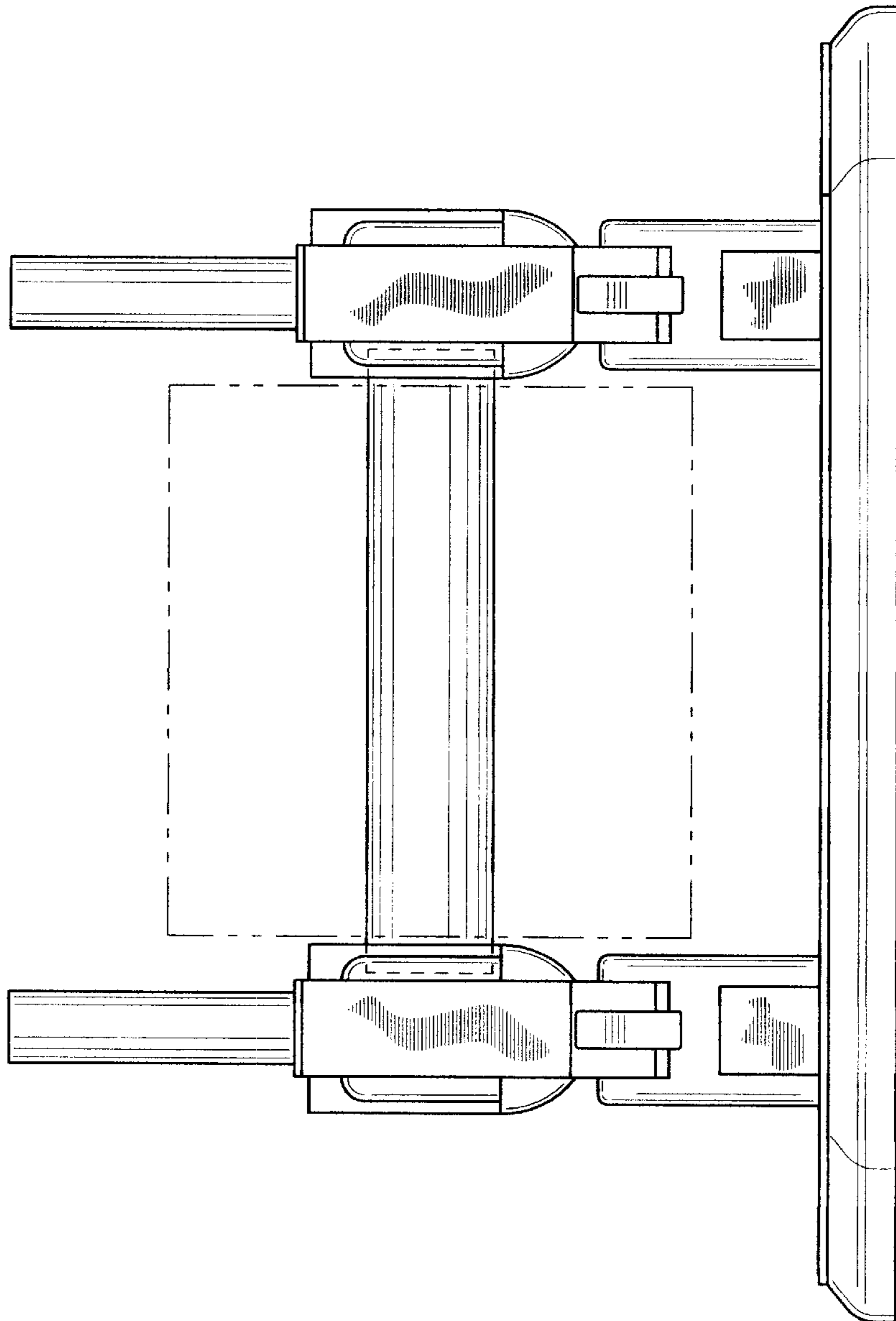


FIG.2

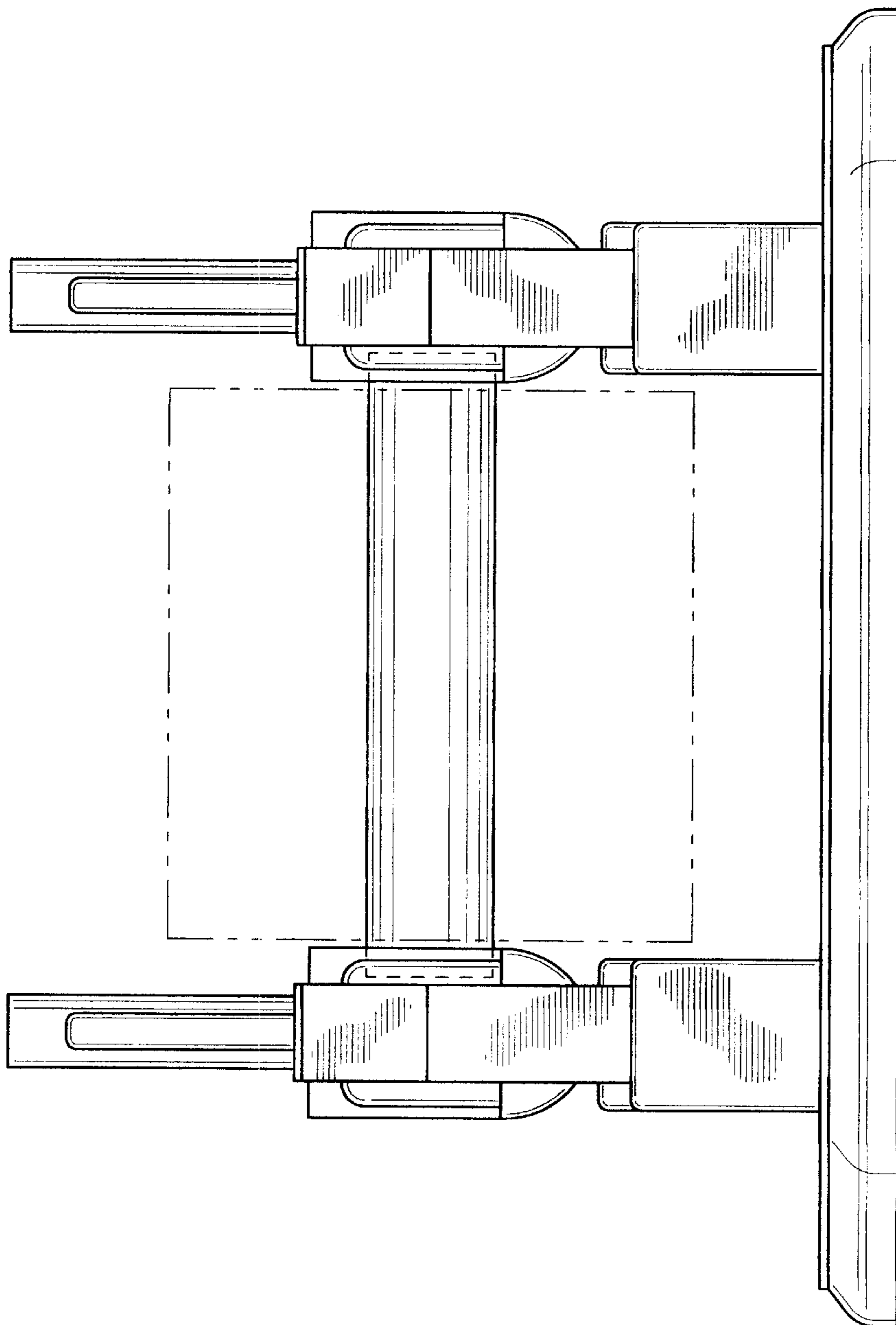


FIG.3

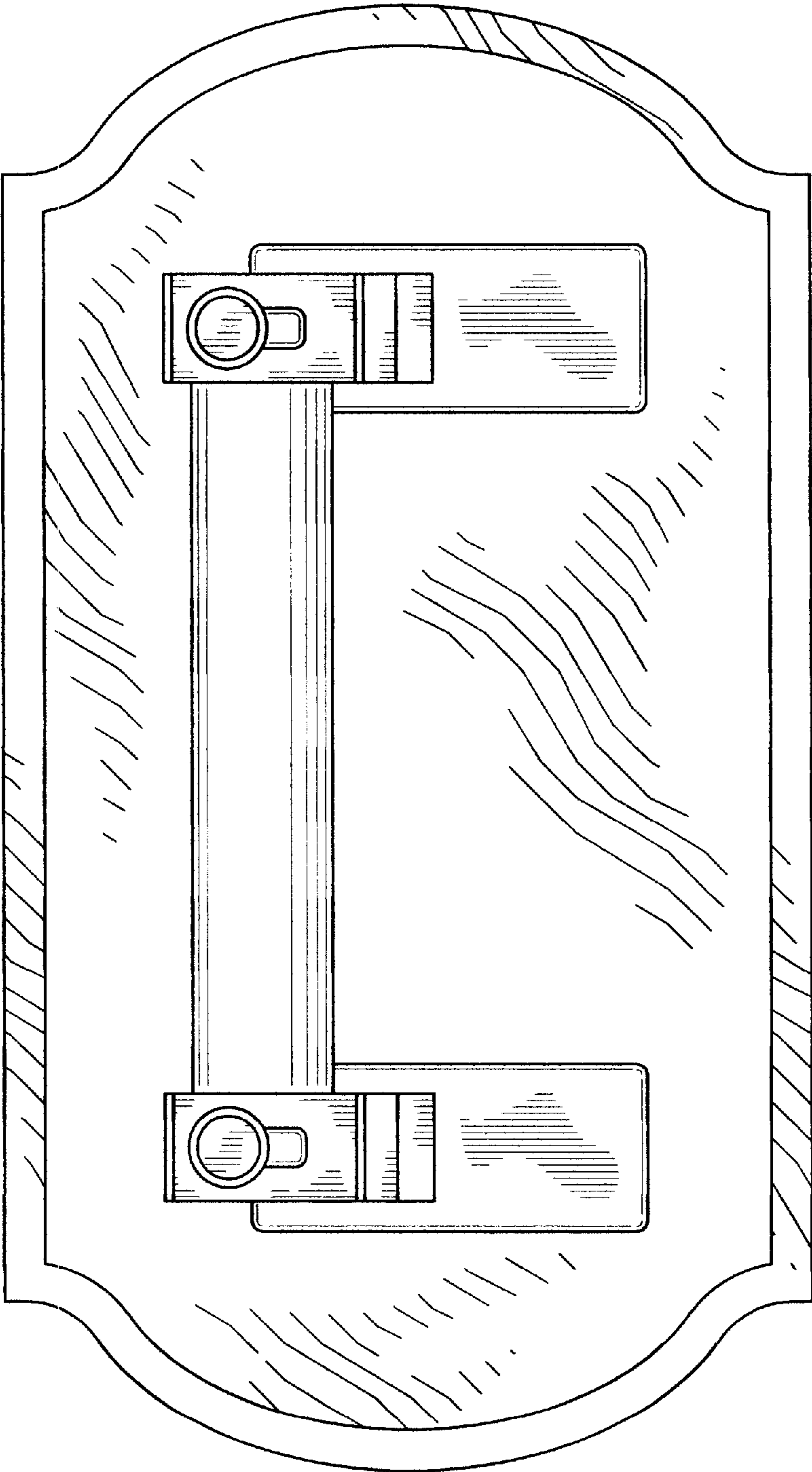
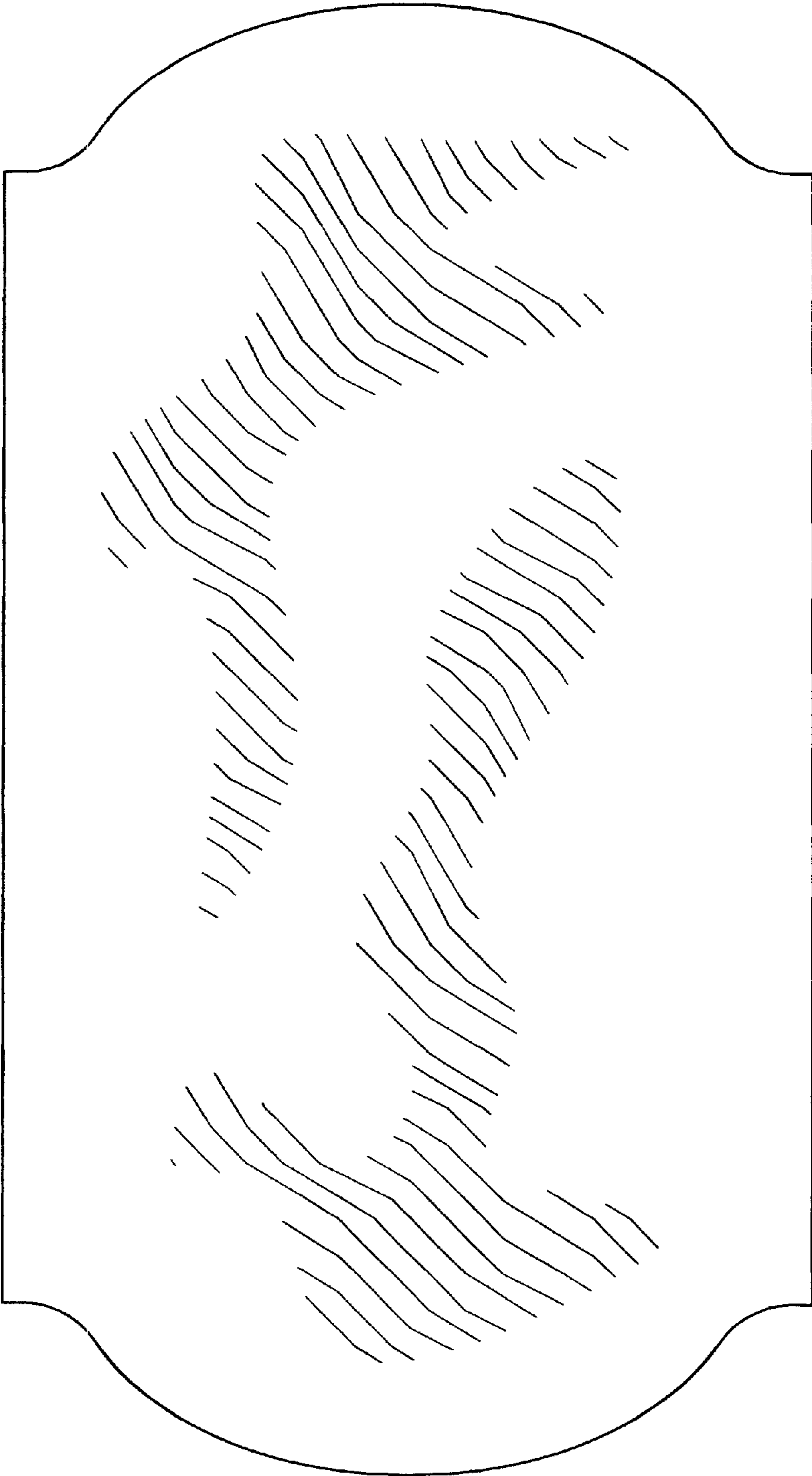


FIG.4



**FIG.5**



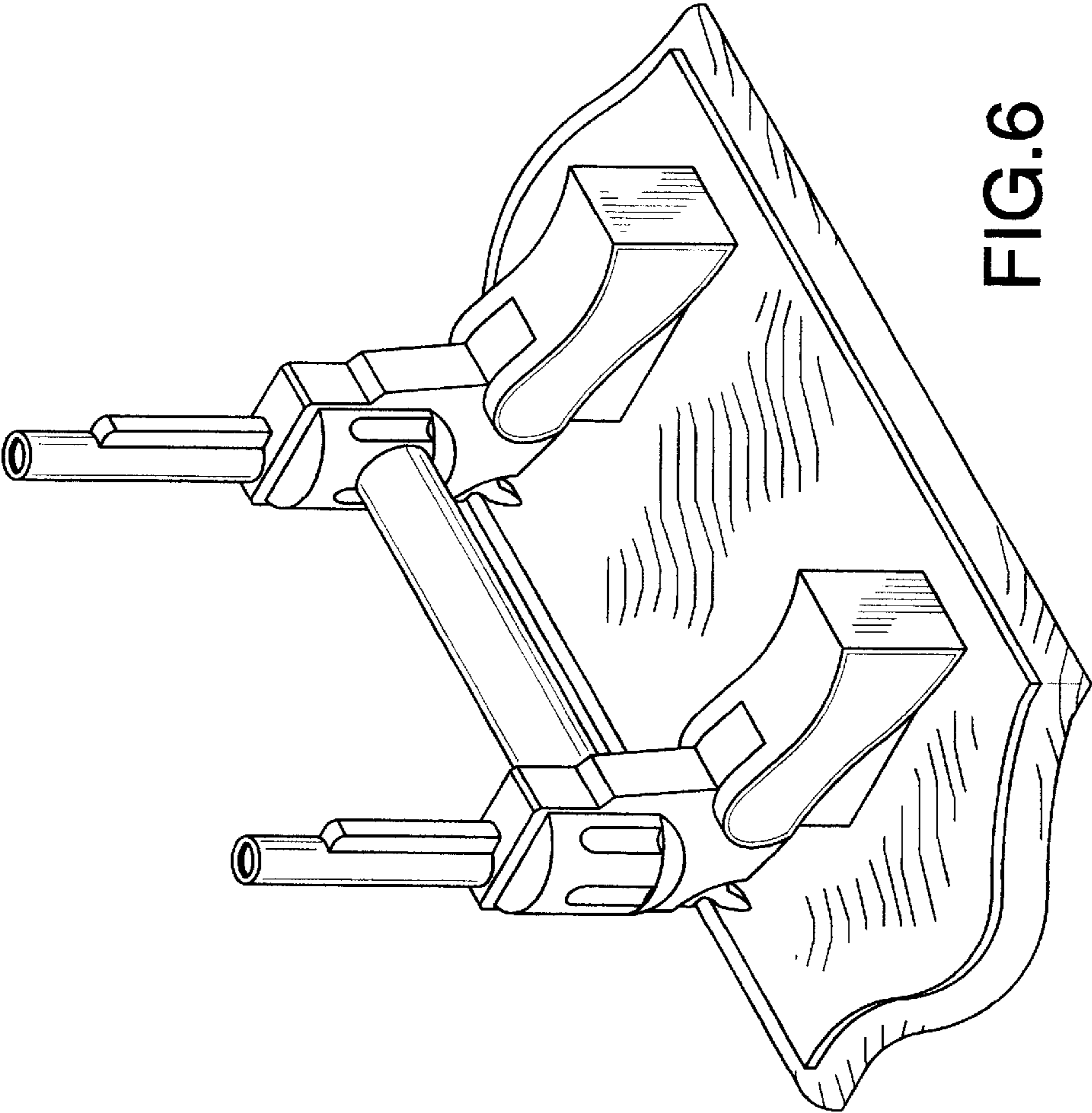


FIG. 6