



US00D540586S

(12) **United States Design Patent**
Solowiej

(10) **Patent No.:** **US D540,586 S**

(45) **Date of Patent:** **** Apr. 17, 2007**

(54) **TISSUE HOLDER**

(75) Inventor: **Leszek Solowiej**, Montville, NJ (US)

(73) Assignee: **Liberty Hardware Mfg. Corp.**,
Winston-Salem, NC (US)

(**) Term: **14 Years**

(21) Appl. No.: **29/218,959**

(22) Filed: **Dec. 9, 2004**

(51) **LOC (8) Cl.** **23-02**

(52) **U.S. Cl.** **D6/523**

(58) **Field of Classification Search** D6/546-550,
D6/518-523; D8/300, 303, 315-321, 349,
D8/354, 363, 373, 380; 108/28-29; 211/13.1,
211/16, 60.1, 100, 86.01, 87.01, 88.01, 88.04,
211/105.1-105.2, 123, 182, 181.1; 248/175,
248/176.1, 251, 302, 309.1; 16/110.1, 412,
16/415; 242/570, 590, 595-598

See application file for complete search history.

(56) **References Cited**

U.S. PATENT DOCUMENTS

D436,775 S * 1/2001 Ming-Hsiao D6/523

D459,128 S * 6/2002 Meck et al. D6/523
D463,931 S * 10/2002 Zhao D6/523
D478,439 S * 8/2003 Hoernig D6/523
D478,441 S * 8/2003 Marks et al. D6/523
D480,244 S * 10/2003 Hoernig D6/523
D512,860 S * 12/2005 Ferrer Beltran D6/523
D514,856 S * 2/2006 Ferrer Beltran D6/523

* cited by examiner

Primary Examiner—Brian N Vinson

(74) *Attorney, Agent, or Firm*—Edgar A. Zarins; Lloyd D. Doigan

(57) **CLAIM**

The ornamental design for a tissue holder, as shown and described.

DESCRIPTION

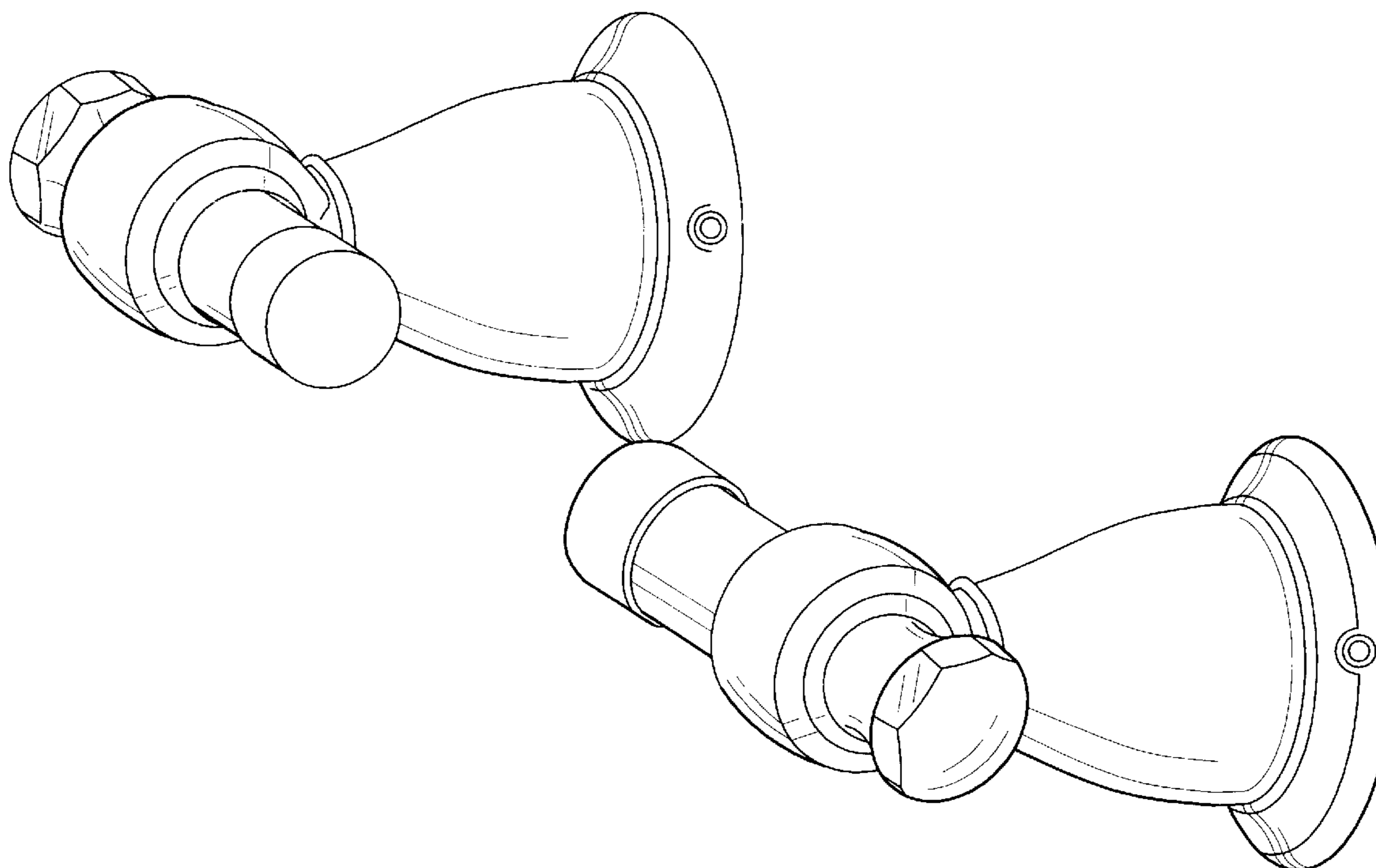
FIG. 1 is a perspective view of a tissue holder showing my new design;

FIG. 2 is a first end view thereof, the opposite end being a mirror image of the end shown;

FIG. 3 is a front elevational view thereof; and,

FIG. 4 is a bottom plan view thereof.

1 Claim, 2 Drawing Sheets



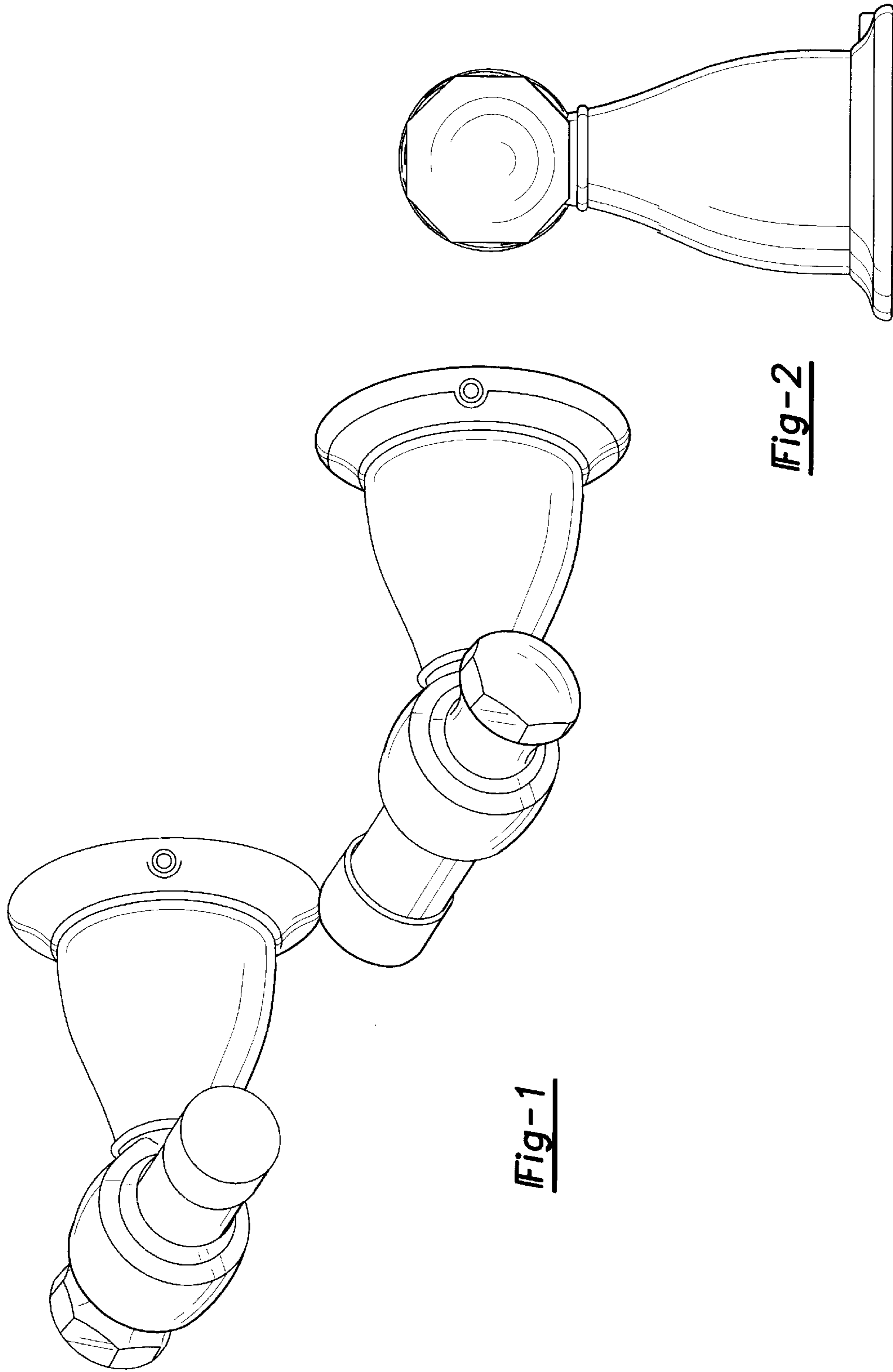


Fig-1

Fig-2

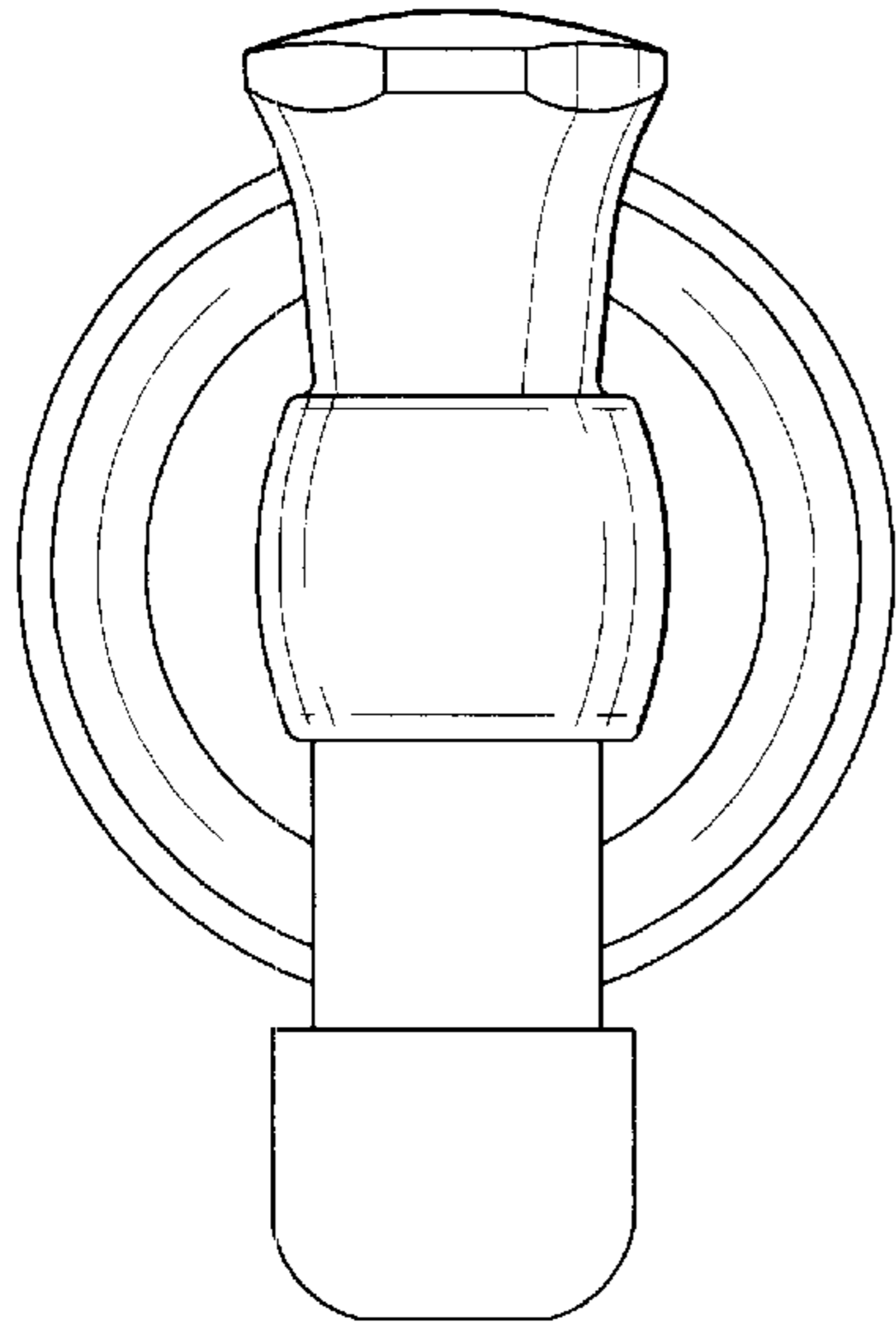


Fig-3

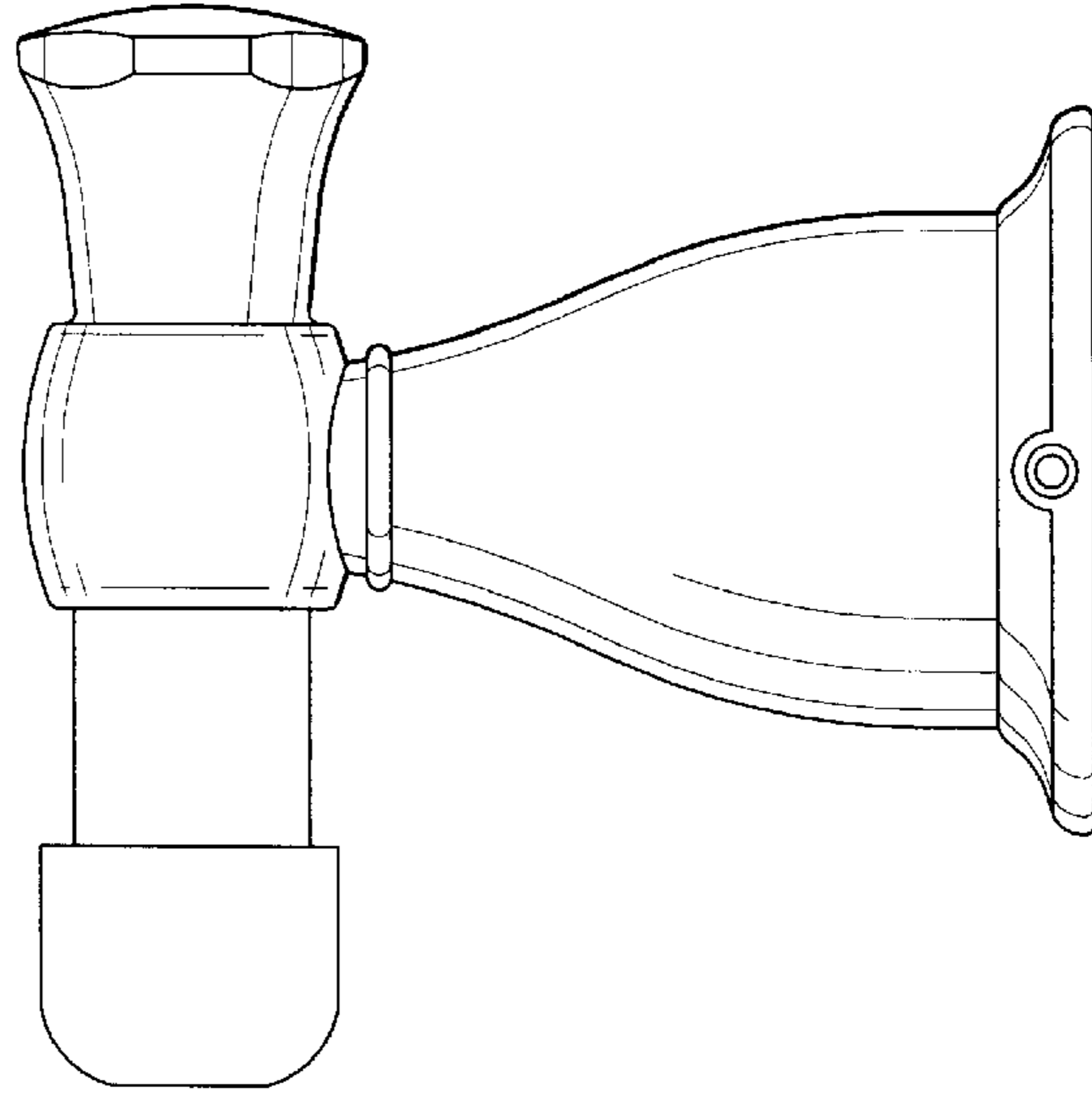


Fig-4

