

US00D540584S

(12) **United States Design Patent**  
**Igarashi**

(10) **Patent No.:** **US D540,584 S**

(45) **Date of Patent:** **\*\* Apr. 17, 2007**

(54) **PAPER HOLDER**

4,465,198 A \* 8/1984 Martin ..... 211/105.3  
D276,387 S \* 11/1984 Conti ..... D6/549

(75) Inventor: **Ken Igarashi**, Kitakyushu (JP)

\* cited by examiner

(73) Assignee: **Toto Ltd**, Fukuoka (JP)

*Primary Examiner*—Brian N Vinson

(\*\*) Term: **14 Years**

(74) *Attorney, Agent, or Firm*—Birch, Stewart, Kolasch & Birch, LLP

(21) Appl. No.: **29/256,843**

(57) **CLAIM**

(22) Filed: **Mar. 27, 2006**

The ornamental design for a paper holder, as shown and described.

(51) **LOC (8) Cl.** ..... **20-02**

(52) **U.S. Cl.** ..... **D6/518**

(58) **Field of Classification Search** ..... D6/546–550,  
D6/518–519, 522–524; D8/300, 303, 315–321;  
108/28–29; 211/13.1, 16, 60.1, 86.01, 87.01,  
211/88.01, 88.04, 100, 105.1–105.2, 123,  
211/181.1, 182; 248/175, 176.1, 251, 302;  
16/110.1, 412, 415; 242/570, 590, 595–598  
See application file for complete search history.

**DESCRIPTION**

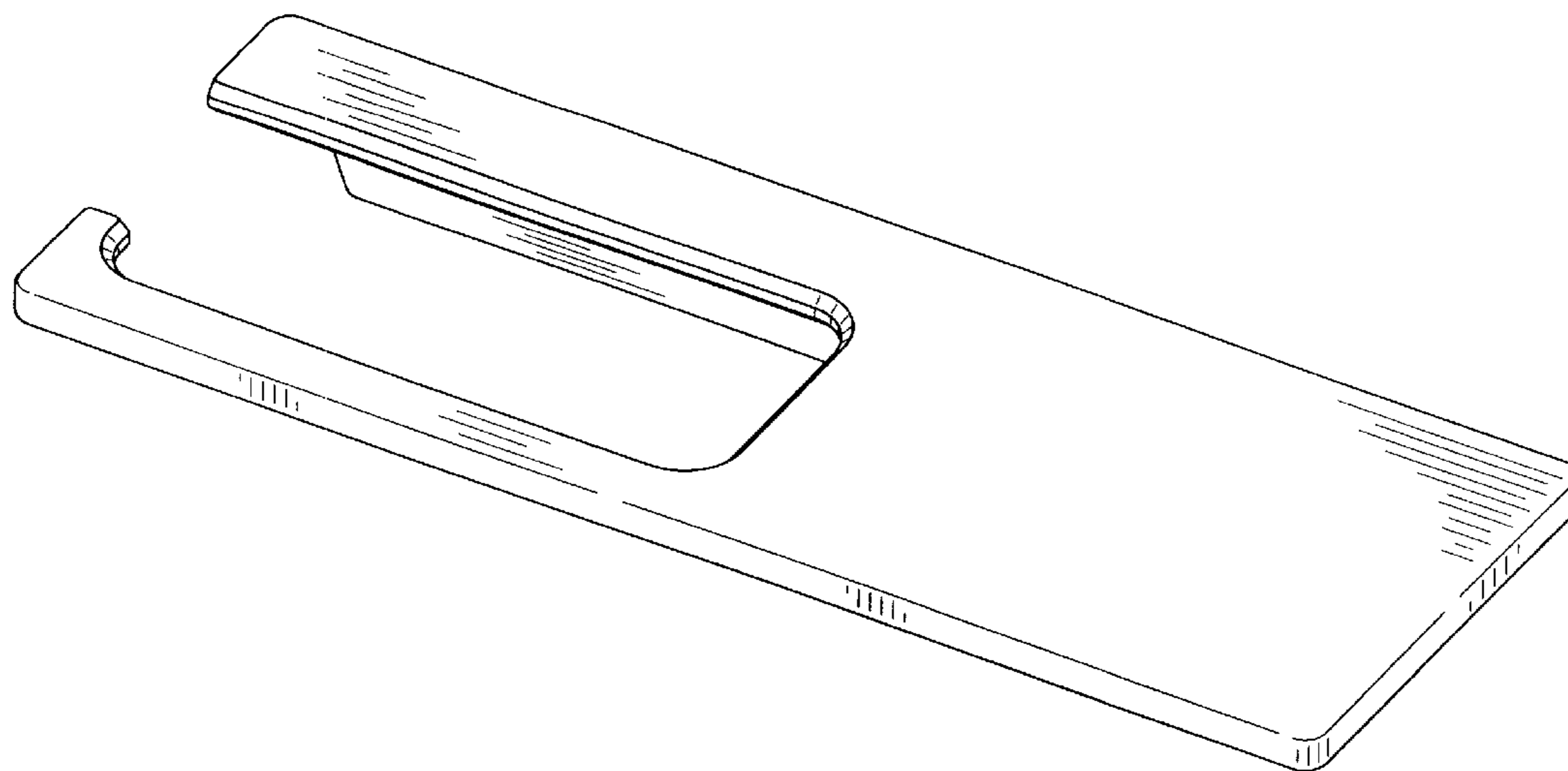
FIG. 1 is a perspective view of the top, front and right side of a paper holder showing my new design;  
FIG. 2 is a top plan view thereof;  
FIG. 3 is a front view thereof;  
FIG. 4 is a left side view thereof;  
FIG. 5 is a right side view thereof;  
FIG. 6 is a bottom view thereof; and,  
FIG. 7 is a rear view thereof.

(56) **References Cited**

**U.S. PATENT DOCUMENTS**

D263,182 S \* 3/1982 Thompson ..... D6/546

**1 Claim, 2 Drawing Sheets**



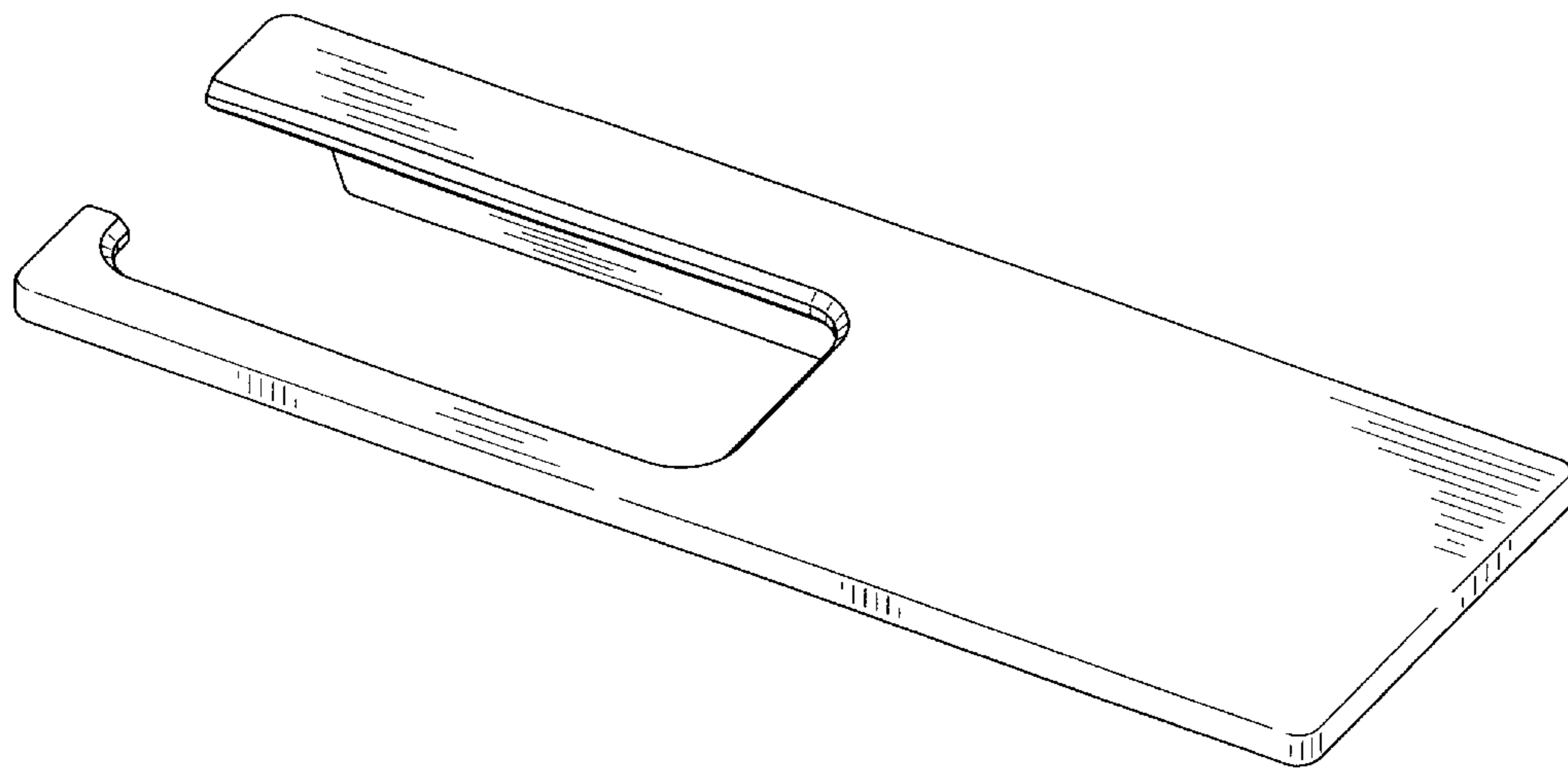


FIG. 1

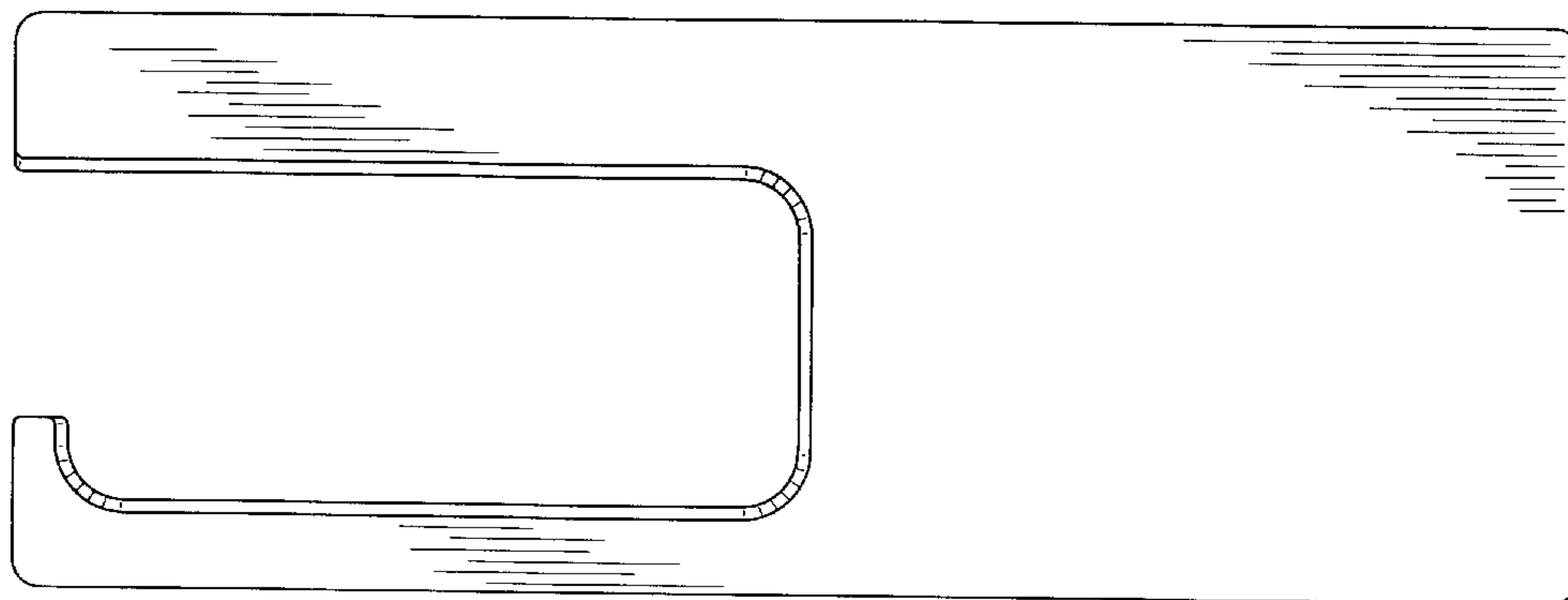


FIG. 2

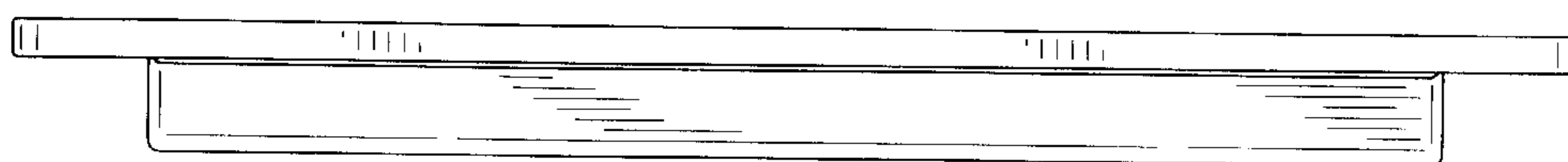


FIG. 3

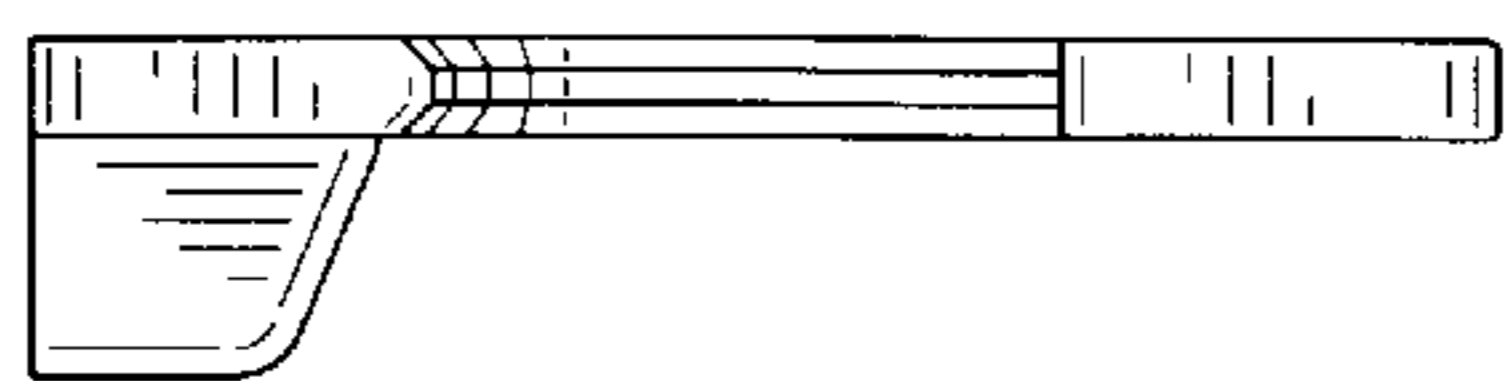


FIG. 4

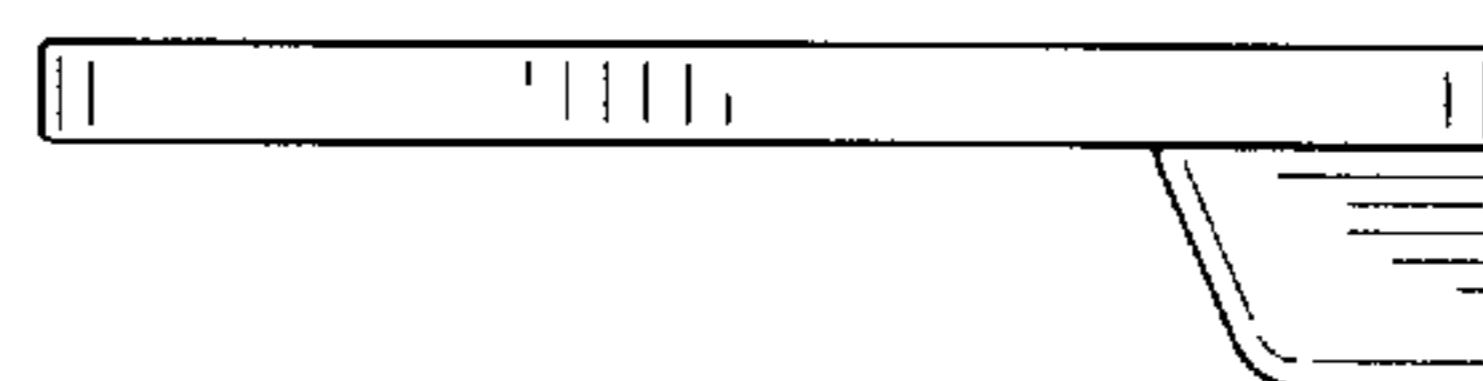


FIG. 5

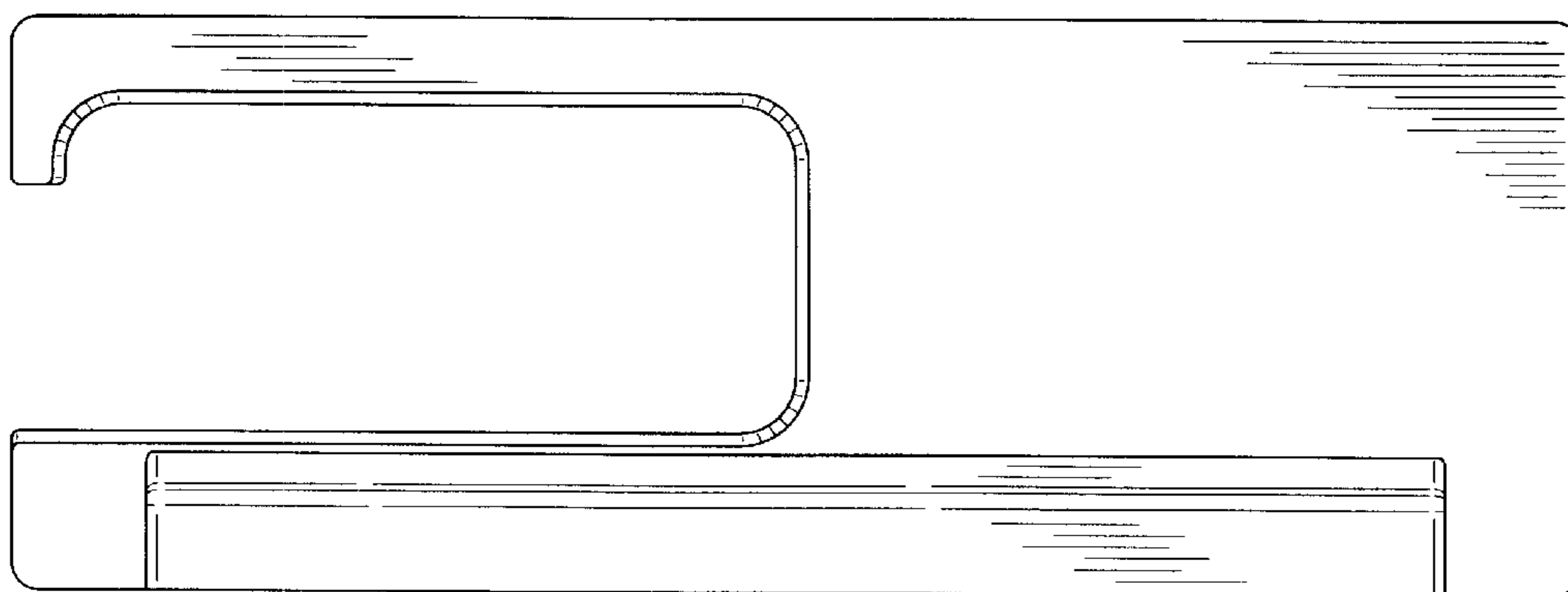


FIG. 6

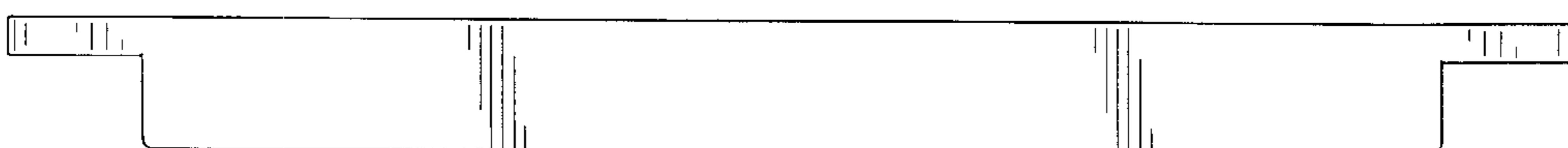


FIG. 7