

US00D540578S

(12) **United States Design Patent**
Chen

(10) **Patent No.:** **US D540,578 S**

(45) **Date of Patent:** **** Apr. 17, 2007**

(54) **BACKREST**

(76) **Inventor:** **Su-Ming Chen**, No. 566, Fong Lin 2nd Rd., Ta Liao Hsiang, Kaohsiung (TW)

(**) **Term:** **14 Years**

(21) **Appl. No.:** **29/237,925**

(22) **Filed:** **Sep. 9, 2005**

(51) **LOC (8) Cl.** **06-06**

(52) **U.S. Cl.** **D6/502; D6/366**

(58) **Field of Classification Search** D6/333-336, D6/364, 365, 366, 369, 367, 374, 379, 380, D6/500-502; 297/300.2, 411.2, 411.27, 411.36, 297/452.46, 452.56, 452.63, 452.64

See application file for complete search history.

(56) **References Cited**

U.S. PATENT DOCUMENTS

D436,456 S	*	1/2001	Neil	D6/366
D449,174 S	*	10/2001	Neil	D6/366
D456,626 S	*	5/2002	Su	D6/366
D471,024 S	*	3/2003	Chadwick et al.	D6/366
D479,416 S	*	9/2003	Raftery	D6/502
D485,097 S	*	1/2004	Raftery	D6/502
D486,657 S	*	2/2004	Su	D6/366
D488,314 S	*	4/2004	Chou et al.	D6/366
6,722,741 B2	*	4/2004	Stumpf et al.	297/300.2
D493,627 S	*	8/2004	Ma	D6/366
D494,768 S	*	8/2004	Su	D6/366
D506,626 S	*	6/2005	Chen	D6/500
D506,894 S	*	7/2005	Harley	D6/502

6,957,861 B1	*	10/2005	Chou et al.	297/452.64
D511,418 S	*	11/2005	Breen	D6/366
D512,232 S	*	12/2005	Wu	D6/366
D512,574 S	*	12/2005	Tsai	D6/366
D512,843 S	*	12/2005	Breen	D6/366
D514,831 S	*	2/2006	Tsai	D6/366
D514,832 S	*	2/2006	Tsai	D6/366
D516,828 S	*	3/2006	Tsai	D6/366

* cited by examiner

Primary Examiner—Mimosa De

(74) *Attorney, Agent, or Firm*—Leong C. Lei

(57) **CLAIM**

The ornamental design for a backrest, as shown and described.

DESCRIPTION

FIG. 1 is a front perspective view of a backrest showing my new design;

FIG. 2 is a front elevational view thereof;

FIG. 3 is a rear elevational view thereof;

FIG. 4 is a left side elevational view thereof;

FIG. 5 is a right side elevational view thereof;

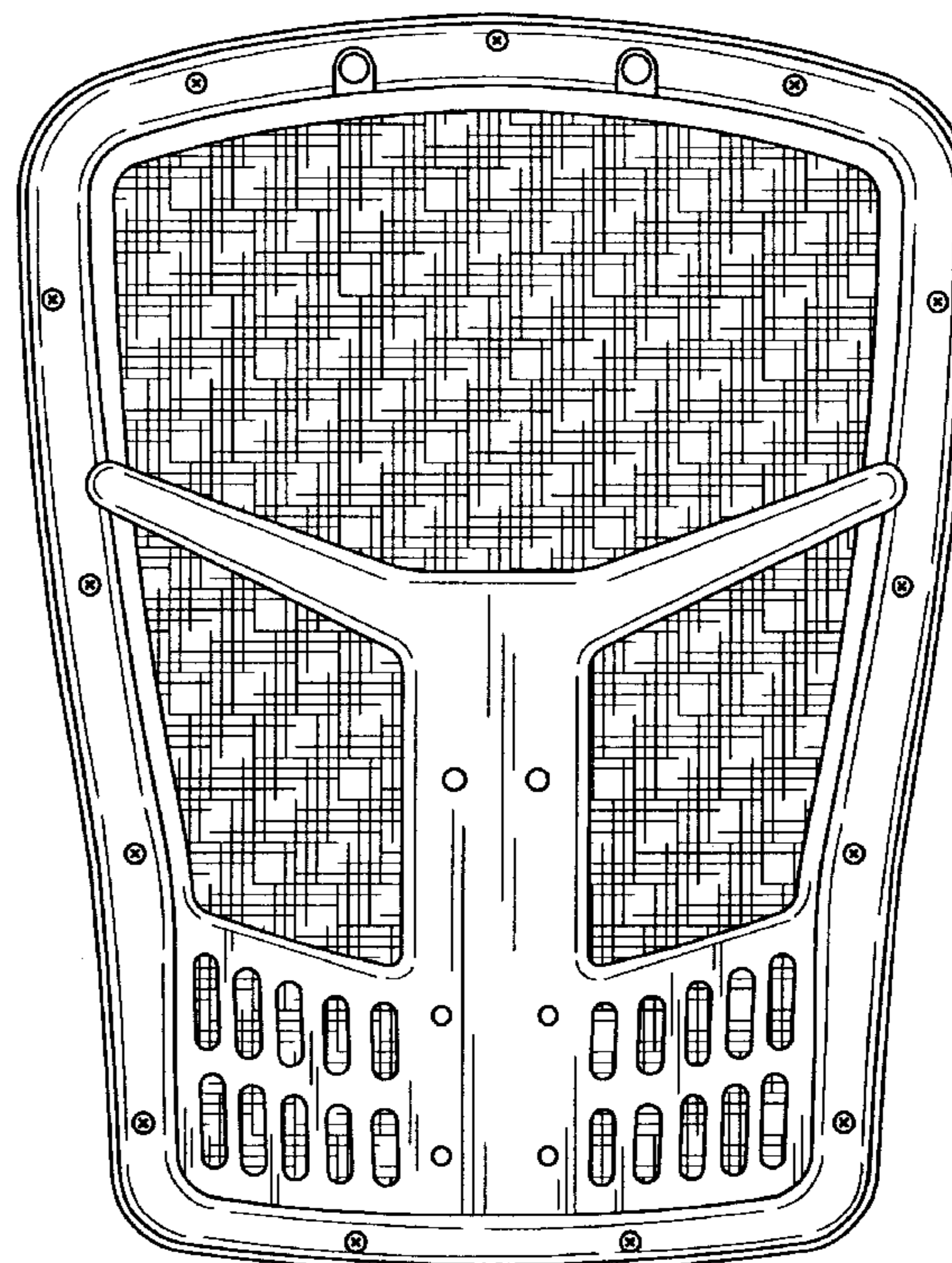
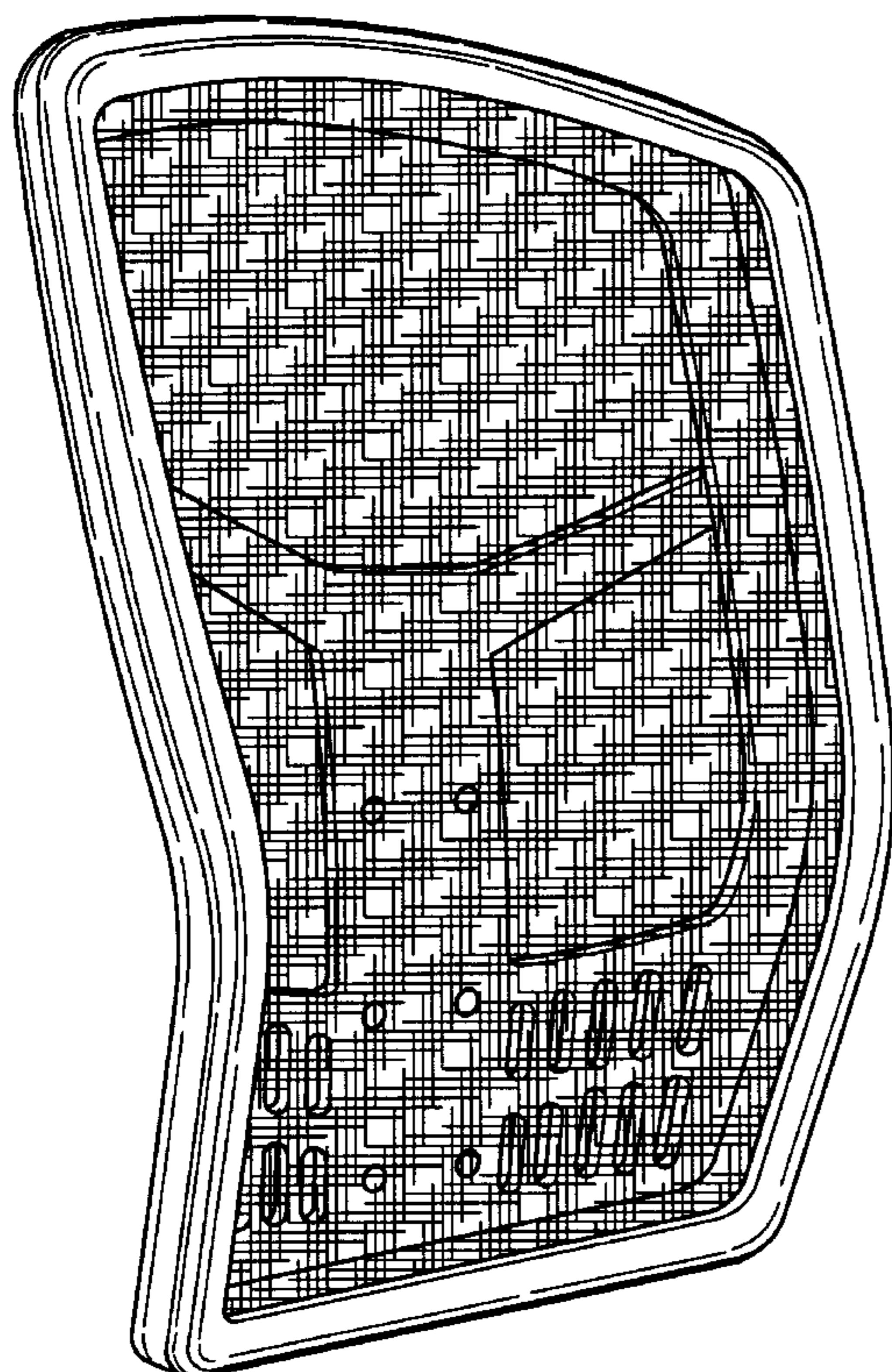
FIG. 6 is a top plan view thereof;

FIG. 7 is a bottom plan view thereof; and,

FIG. 8 is a front perspective view, shown with a pillow engaged.

The broken line showing of a pillow in FIG. 8 is included for the purpose of illustrating only and forms no part of the claimed design.

1 Claim, 5 Drawing Sheets



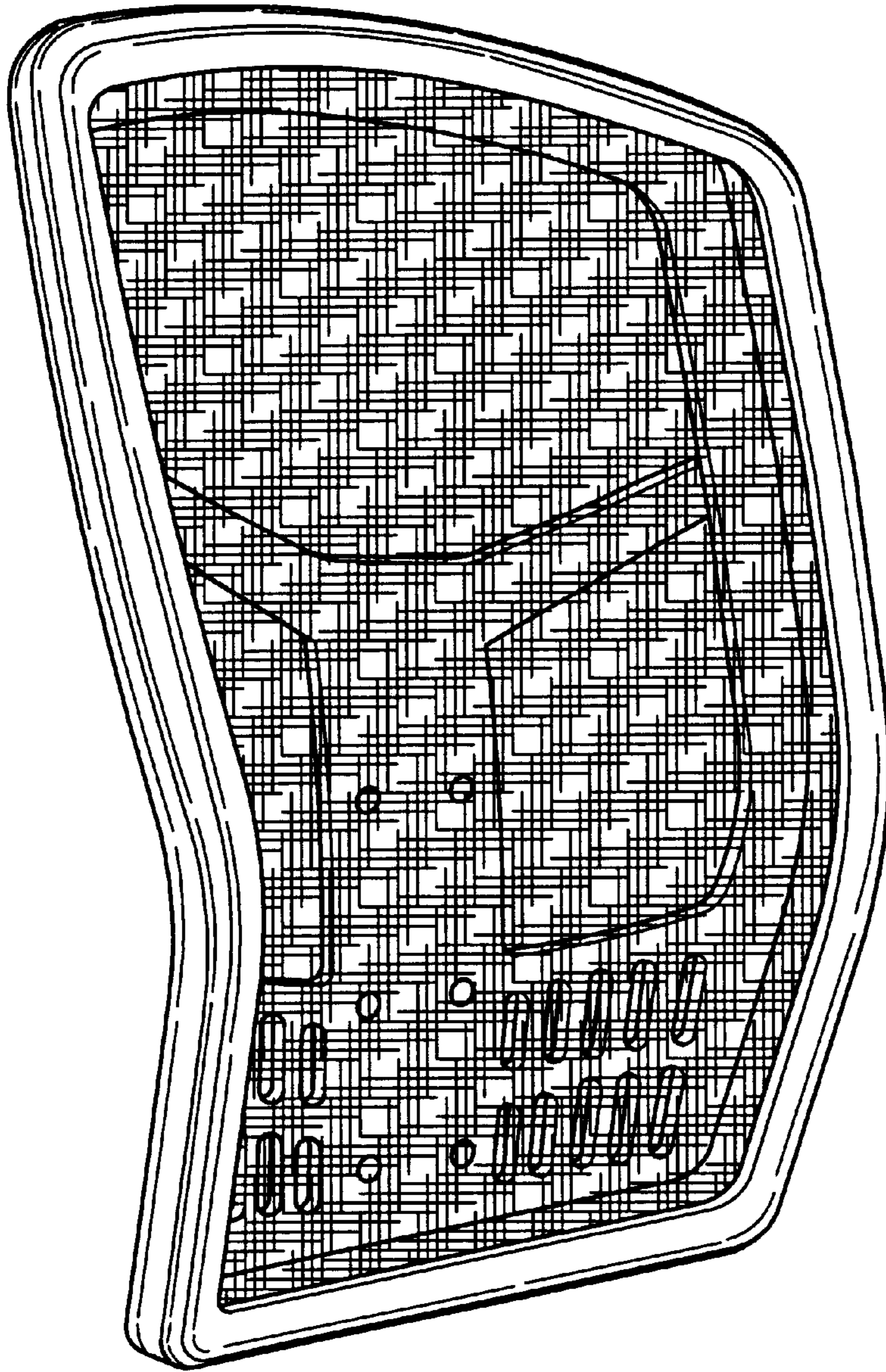


FIG.1

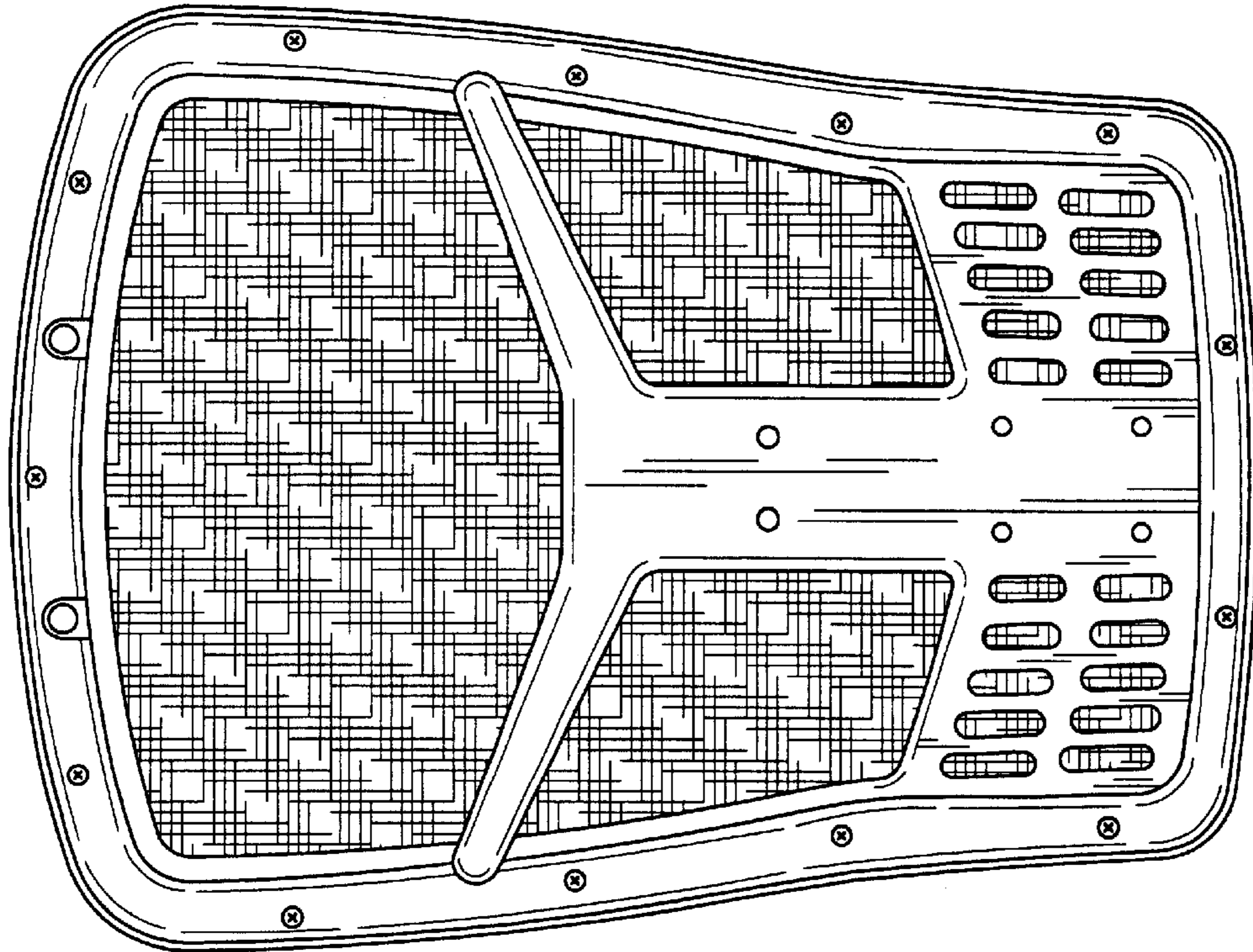


FIG.3

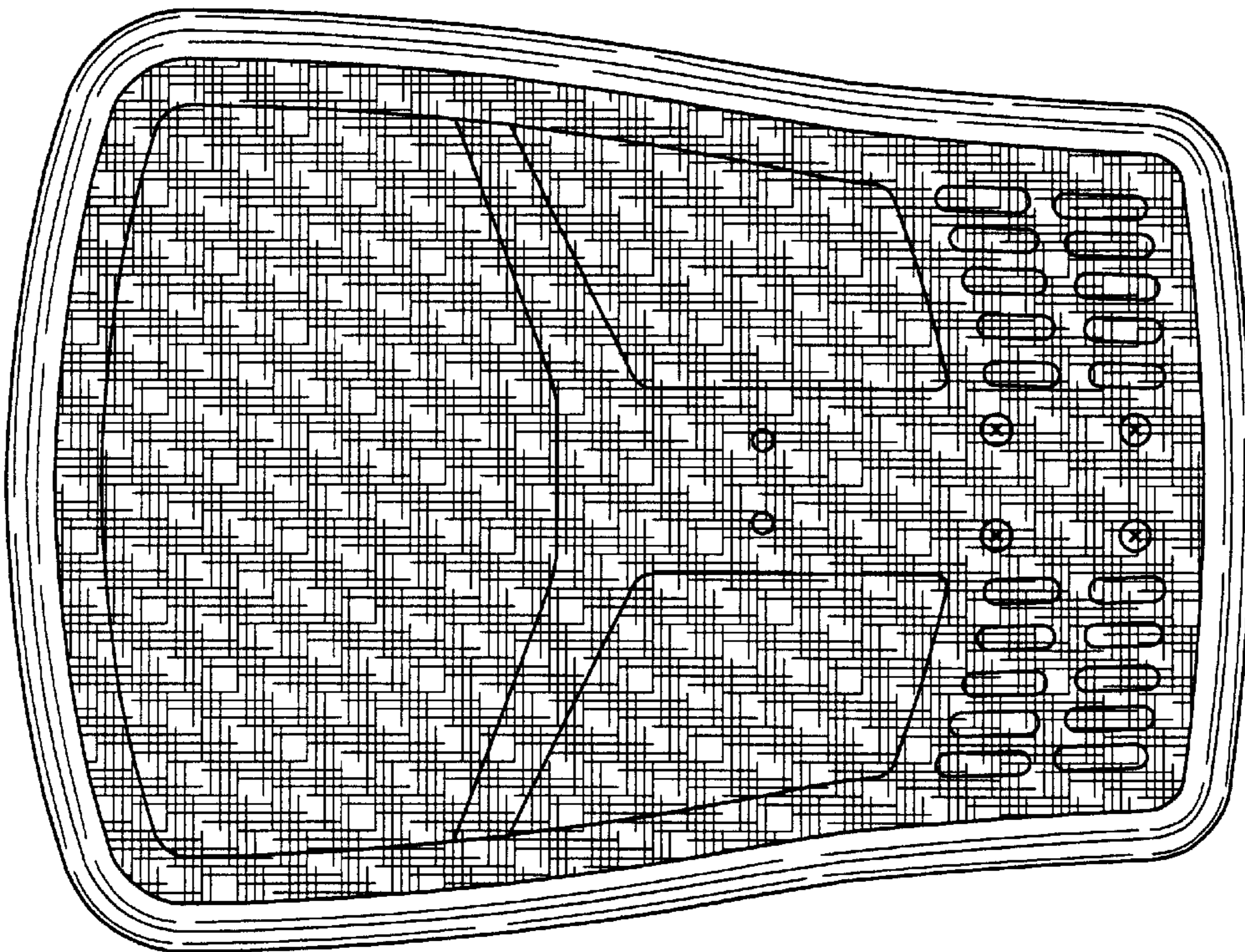


FIG.2

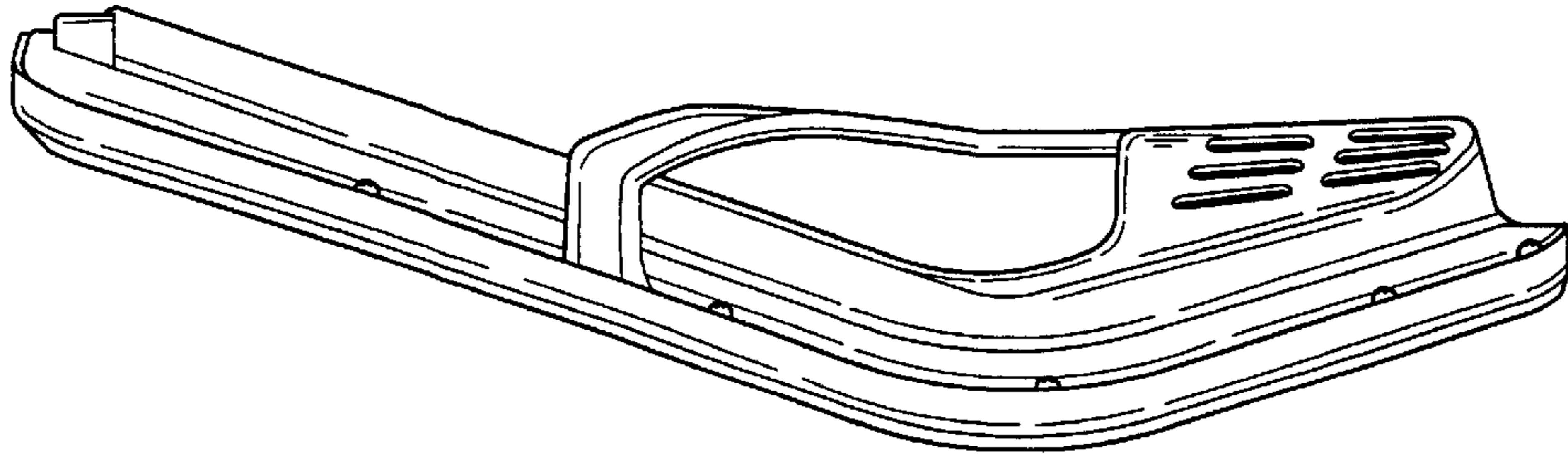


FIG. 5

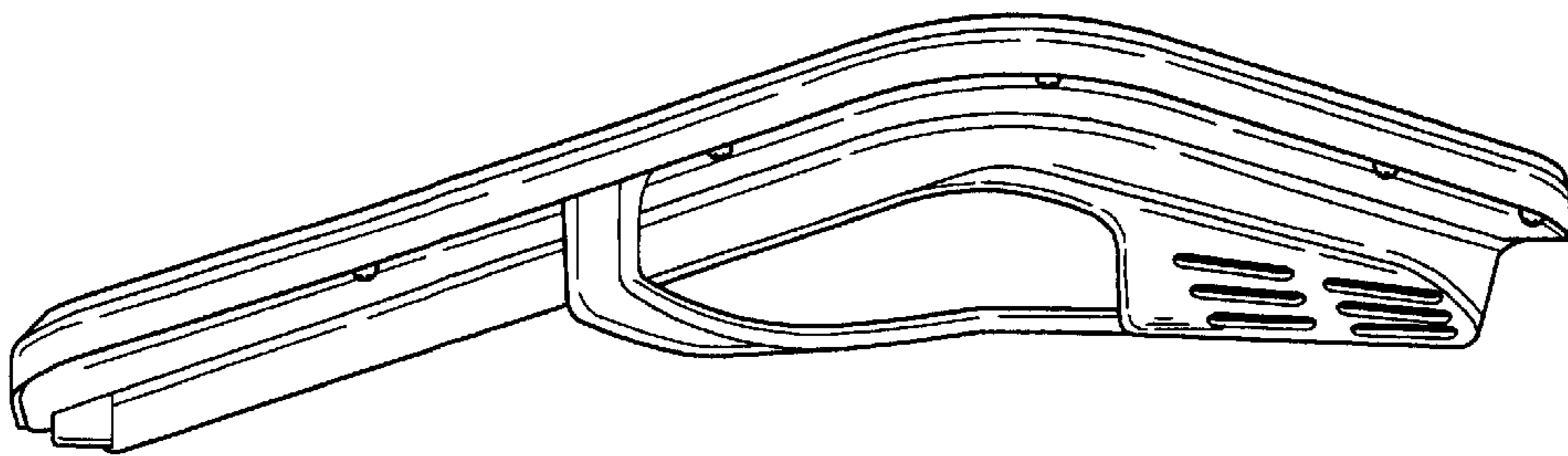


FIG. 4

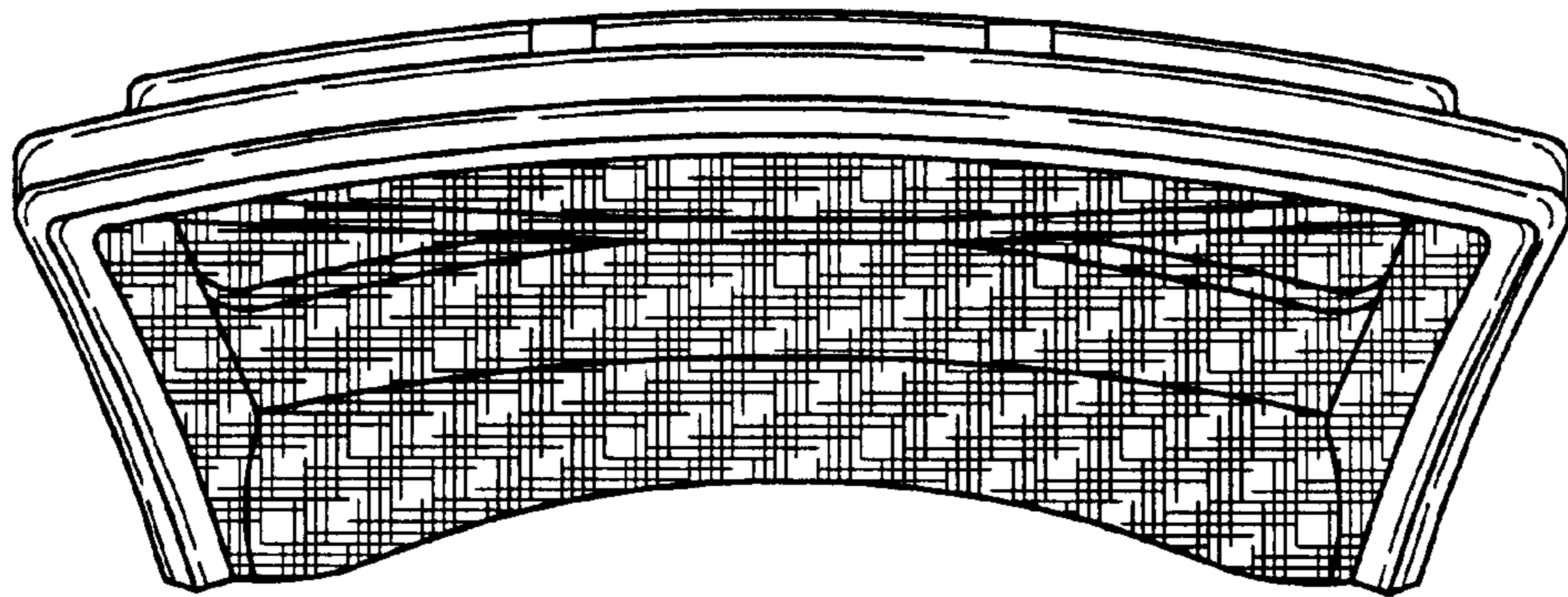


FIG. 6

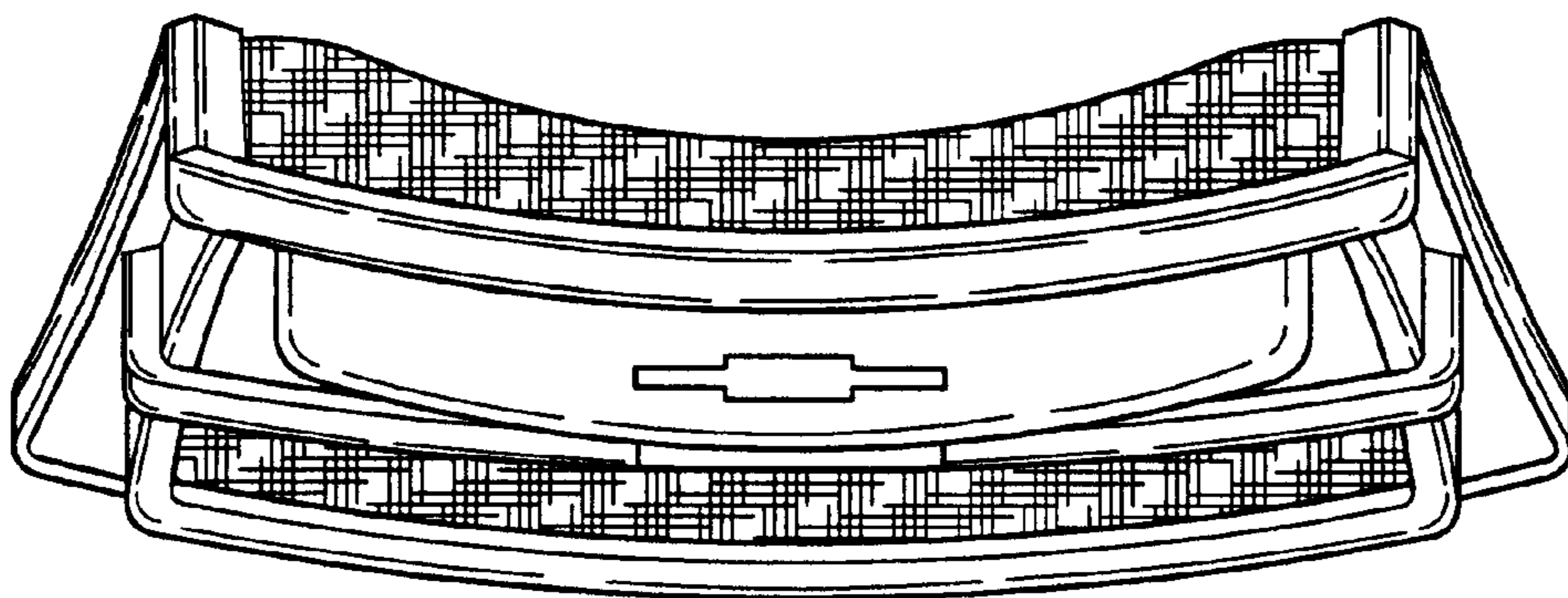


FIG. 7

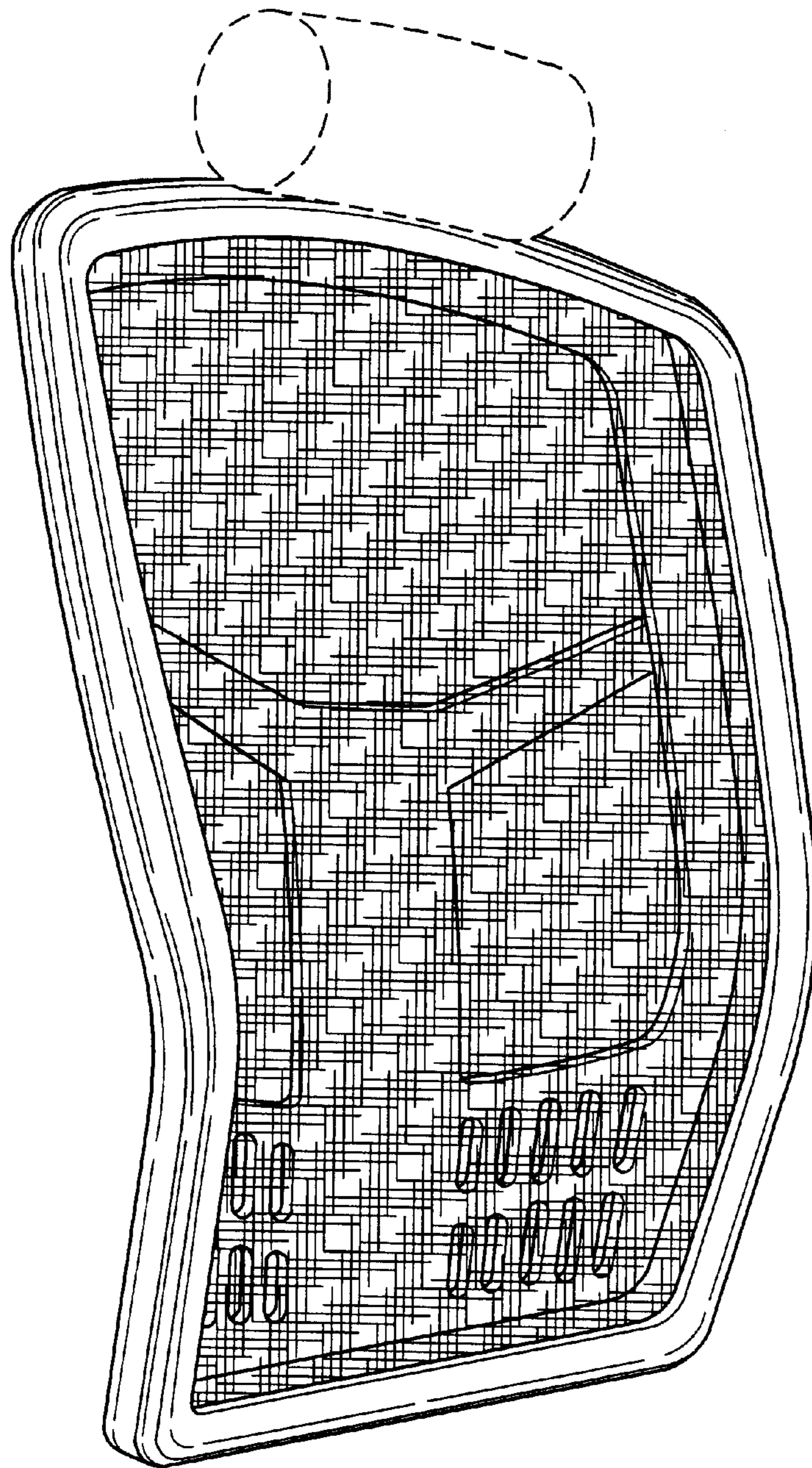


FIG. 8