

US00D540576S

(12) **United States Design Patent**
Andrews

(10) **Patent No.:** **US D540,576 S**

(45) **Date of Patent:** **** Apr. 17, 2007**

(54) **HEADREST INSERT**

(75) **Inventor:** **Steven R. Andrews**, Orland Park, IL
(US)

(73) **Assignee:** **Illinois Tool Works Inc**, Glenview, IL
(US)

(**) **Term:** **14 Years**

(21) **Appl. No.:** **29/236,210**

(22) **Filed:** **Aug. 12, 2005**

(51) **LOC (8) Cl.** **06-06**

(52) **U.S. Cl.** **D6/501; D6/356**

(58) **Field of Classification Search** D6/334-336,
D6/356, 366, 367, 491, 500-502, 601, 604;
297/216.12, 220, 391, 397, 406, 409, 410;
D12/400; 248/118

See application file for complete search history.

(56) **References Cited**

U.S. PATENT DOCUMENTS

1,485,980	A	*	3/1924	Hall	297/397
4,265,482	A	*	5/1981	Nishimura et al.	297/391
4,274,673	A	*	6/1981	Kifferstein	297/220
4,989,836	A	*	2/1991	Hudson et al.	297/391
5,147,110	A	*	9/1992	Syers	297/397
6,224,158	B1		5/2001	Hann		
6,533,359	B1	*	3/2003	Holstenson	297/391

6,601,804	B2	*	8/2003	Bisch	248/118
6,641,220	B2	*	11/2003	Clegg	297/397
6,761,403	B2	*	7/2004	Pal et al.	297/216.12
6,789,850	B1		9/2004	Hann		
D498,097	S	*	11/2004	Schwyzler	D6/501
7,080,886	B2	*	7/2006	Bauer	297/409
2002/0185573	A1	*	12/2002	Bisch	248/118
2006/0097561	A1	*	5/2006	Sato et al.	297/391

* cited by examiner

Primary Examiner—Mimosa De

(74) *Attorney, Agent, or Firm*—Mark W. Croll; Paul F. Donovan

(57) **CLAIM**

The ornamental design for a headrest insert, as shown and described herein.

DESCRIPTION

FIG. 1 is a perspective view of a headrest insert showing the new design;

FIG. 2 is a front side view thereof;

FIG. 3 is a back side view thereof;

FIG. 4 is a left side view thereof;

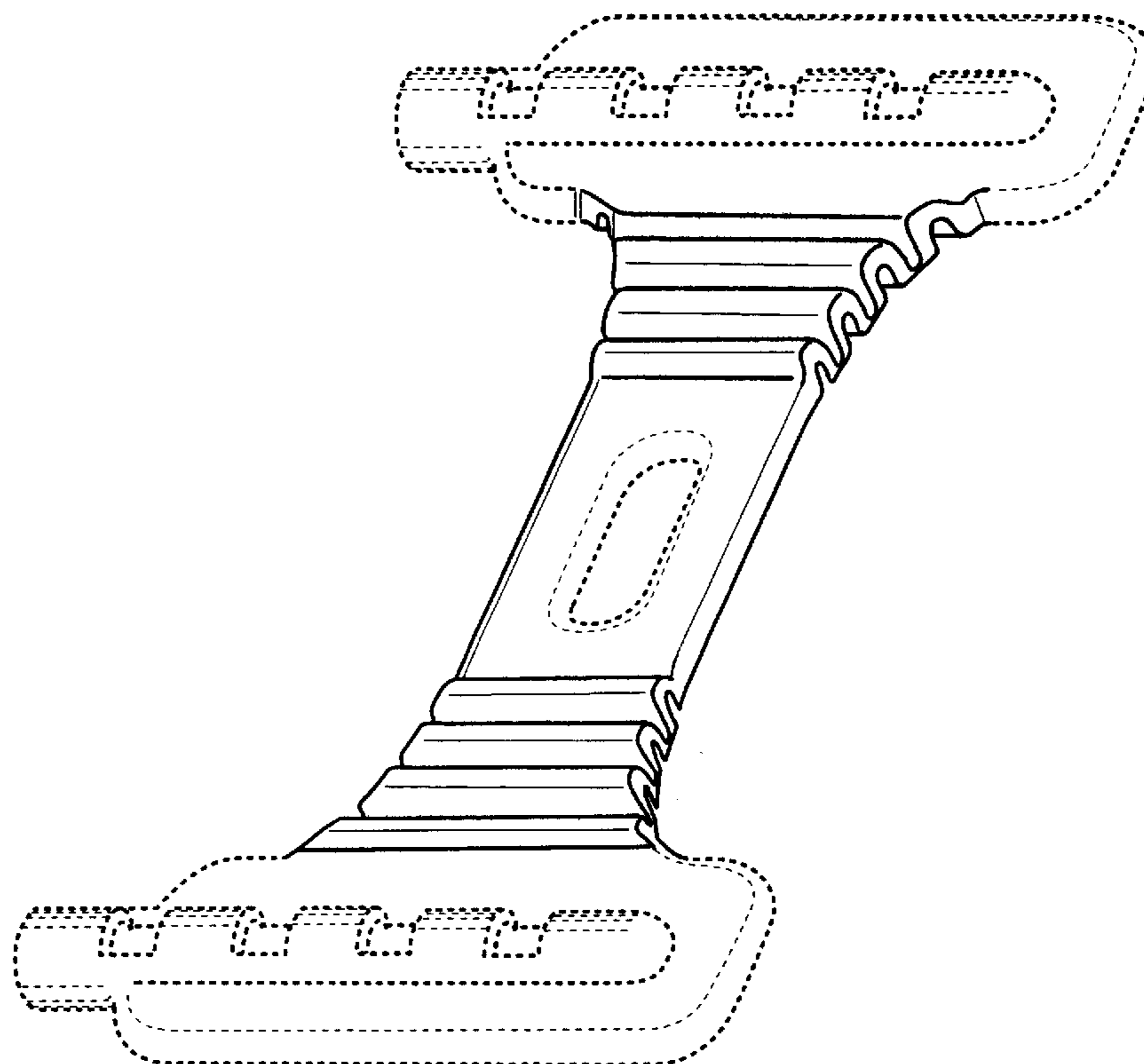
FIG. 5 is a right side view thereof;

FIG. 6 is a top view thereof; and,

FIG. 7 is a bottom view thereof.

The broken line portions of the disclosure are for illustrative purposes only and form no part of the claimed design.

1 Claim, 5 Drawing Sheets



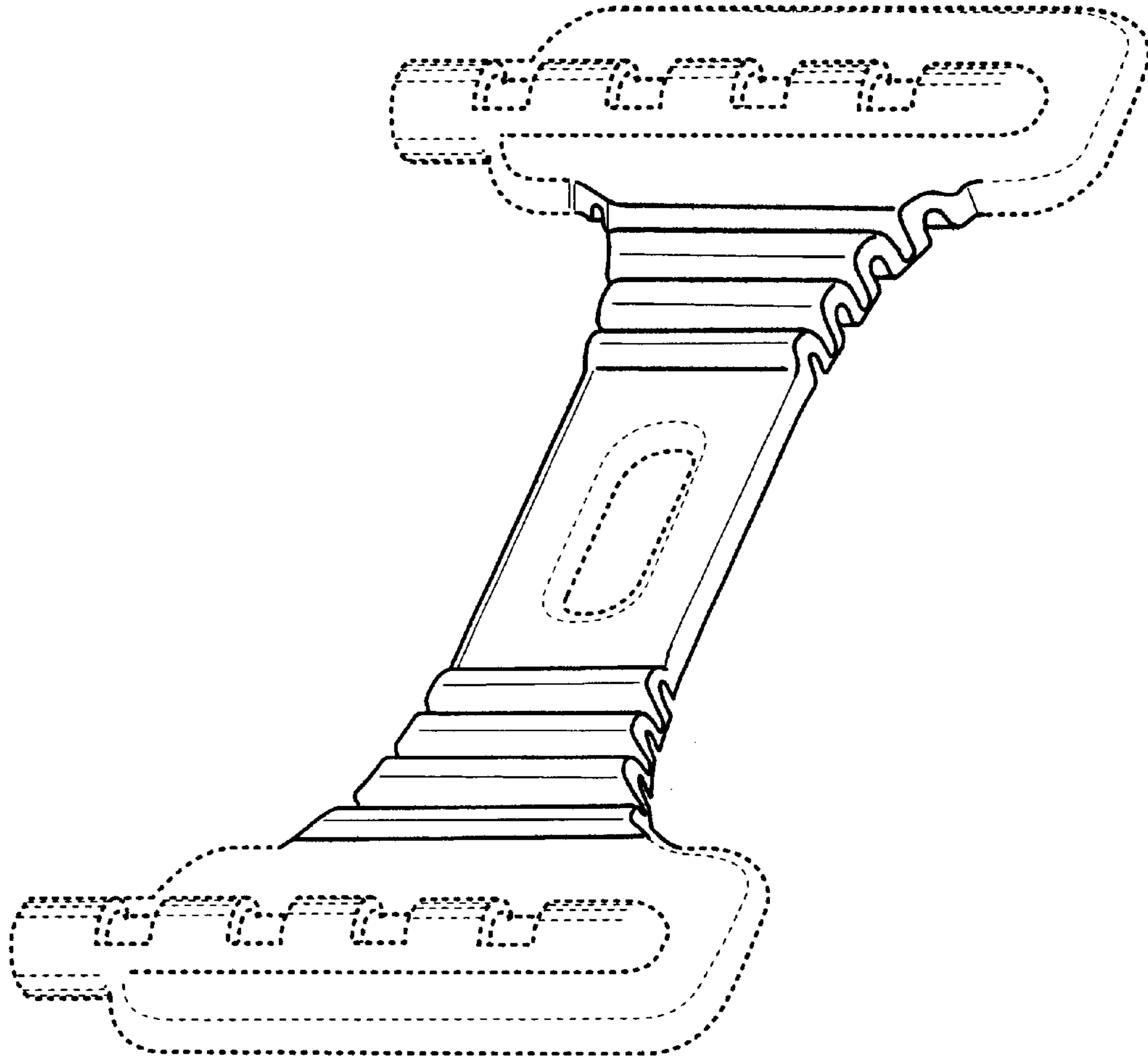


Fig. 1

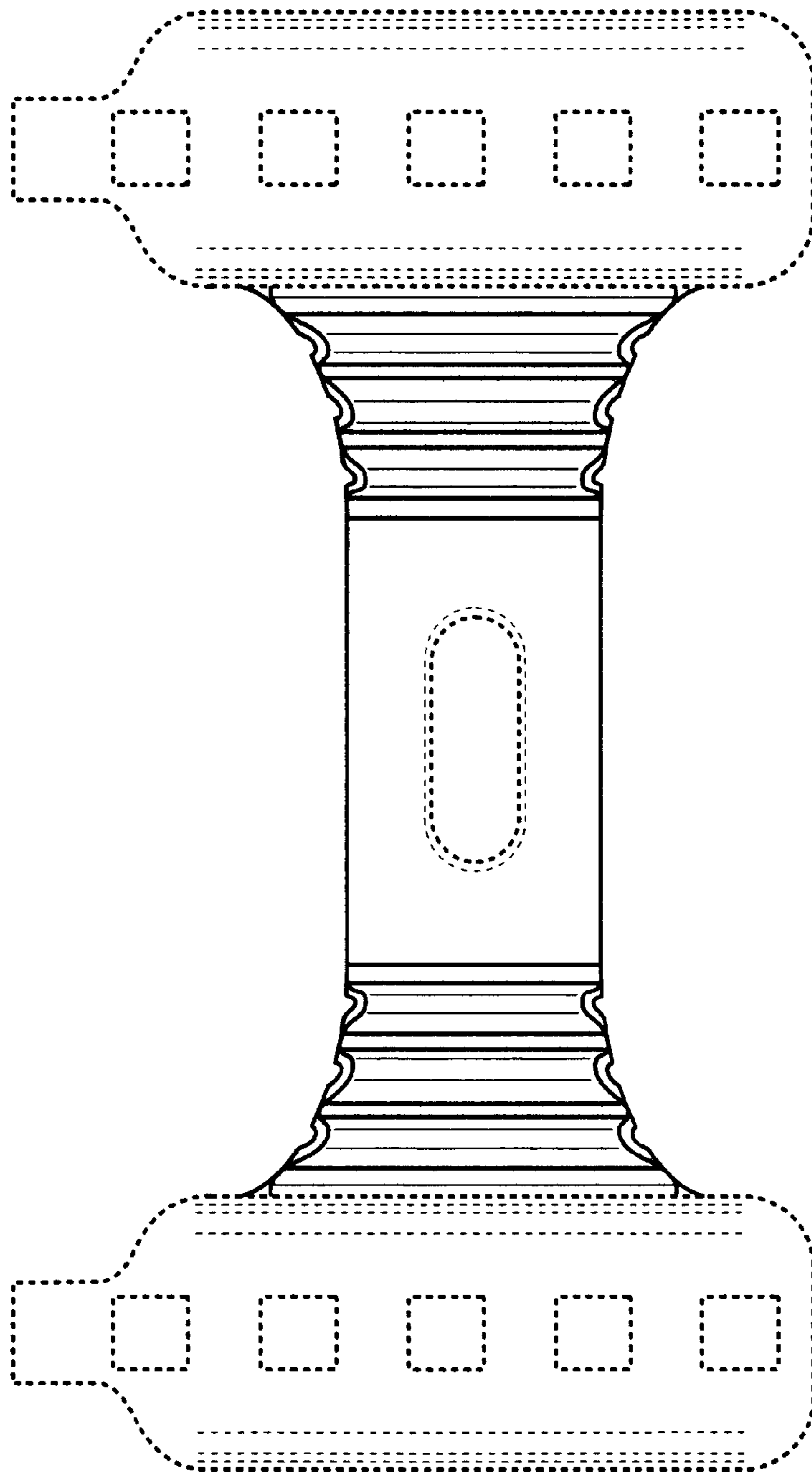


Fig. 2

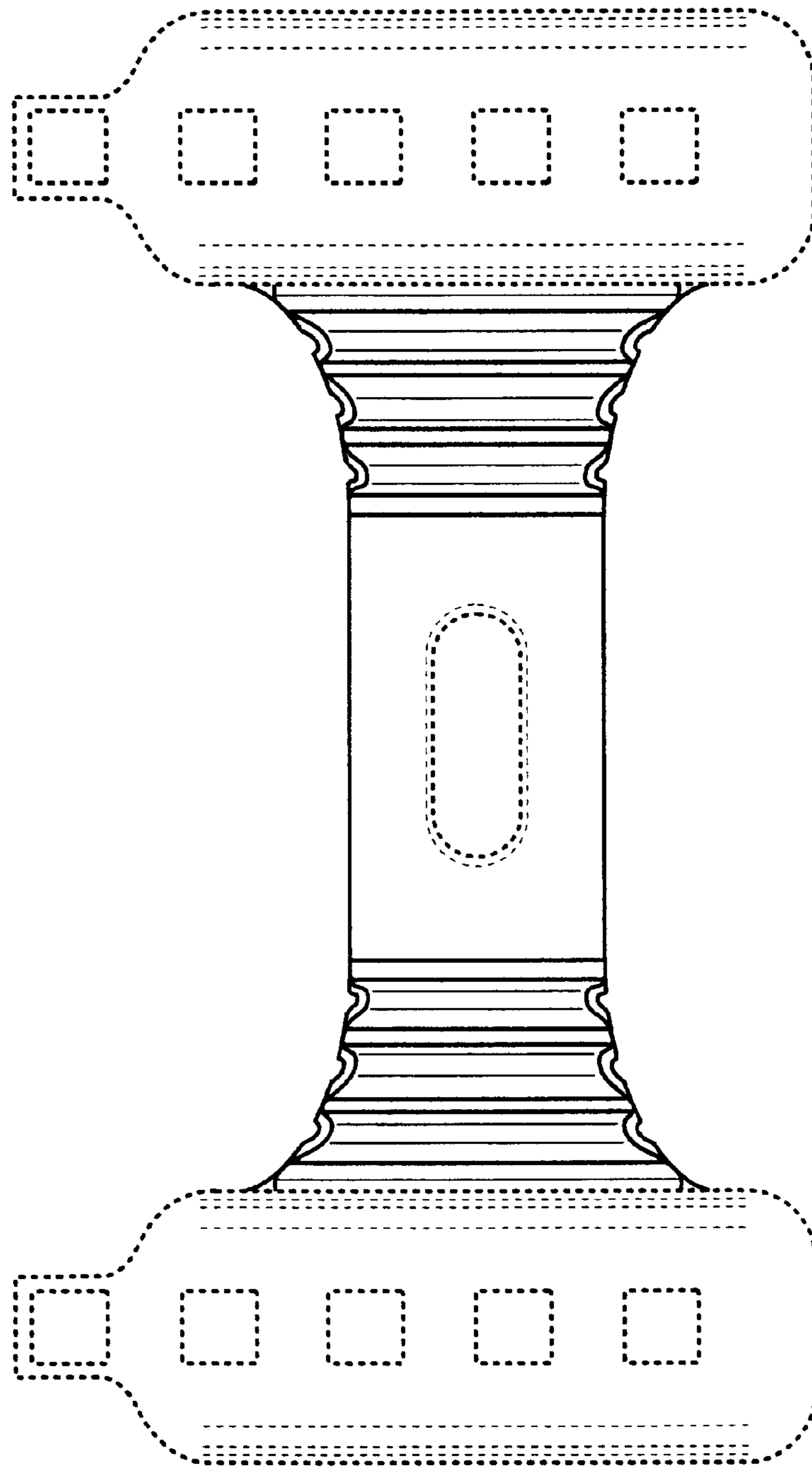


Fig. 3

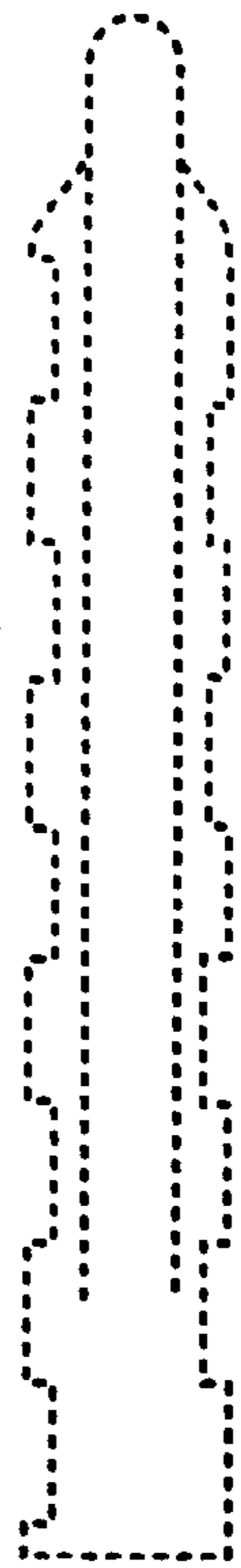


Fig. 4

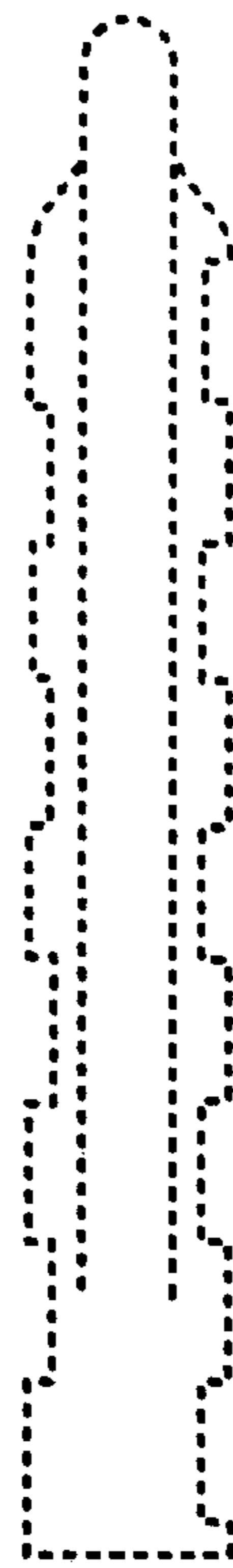


Fig. 5

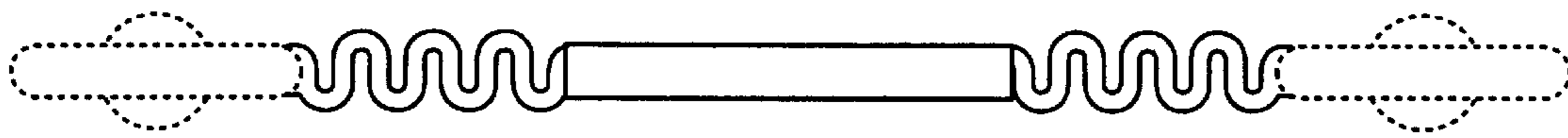


Fig. 6

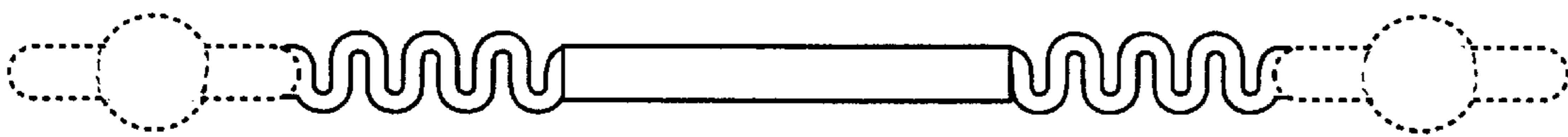


Fig. 7