



US00D540572S

(12) **United States Design Patent**
Fanning

(10) **Patent No.:** **US D540,572 S**

(45) **Date of Patent:** **** Apr. 17, 2007**

(54) **SEAT**

(76) Inventor: **Michael E. Fanning**, 149 Chere Helen Dr., Mooresville, NC (US) 28115-7911

(**) Term: **14 Years**

(21) Appl. No.: **29/248,537**

(22) Filed: **Aug. 21, 2006**

(51) **LOC (8) Cl.** **06-06**

(52) **U.S. Cl.** **D6/500; D6/364**

(58) **Field of Classification Search** D6/334-336,
D6/360, 361, 364, 365, 366, 368, 374, 375,
D6/500-502; 297/230.1, 411.2, 411.44, 445.1,
297/452.11

See application file for complete search history.

(56) **References Cited**

U.S. PATENT DOCUMENTS

D186,813 S	*	12/1959	Maurer	D6/361
D204,374 S	*	4/1966	Bergstrom	D6/364
D348,786 S	*	7/1994	Tolleson et al.	D6/366
D386,622 S	*	11/1997	Kelley et al.	D6/366
D401,428 S	*	11/1998	Kaczmarek	D6/366
D403,519 S	*	1/1999	Stafford	D6/366
D408,162 S	*	4/1999	Olson et al.	D6/366
D468,122 S	*	1/2003	Schweikarth et al.	D6/366

* cited by examiner

Primary Examiner—Mimosa De

(74) *Attorney, Agent, or Firm*—Alston & Bird LLP

(57) **CLAIM**

The ornamental design for a seat, as shown and described.

DESCRIPTION

FIG. 1 is a front perspective view of a seat according to an embodiment of the present invention;

FIG. 2 is an enlarged front elevational view of the seat shown in FIG. 1;

FIG. 3 is an enlarged rear elevational view of the seat shown in FIG. 1;

FIG. 4 is an enlarged right side elevational view of the seat shown in FIG. 1;

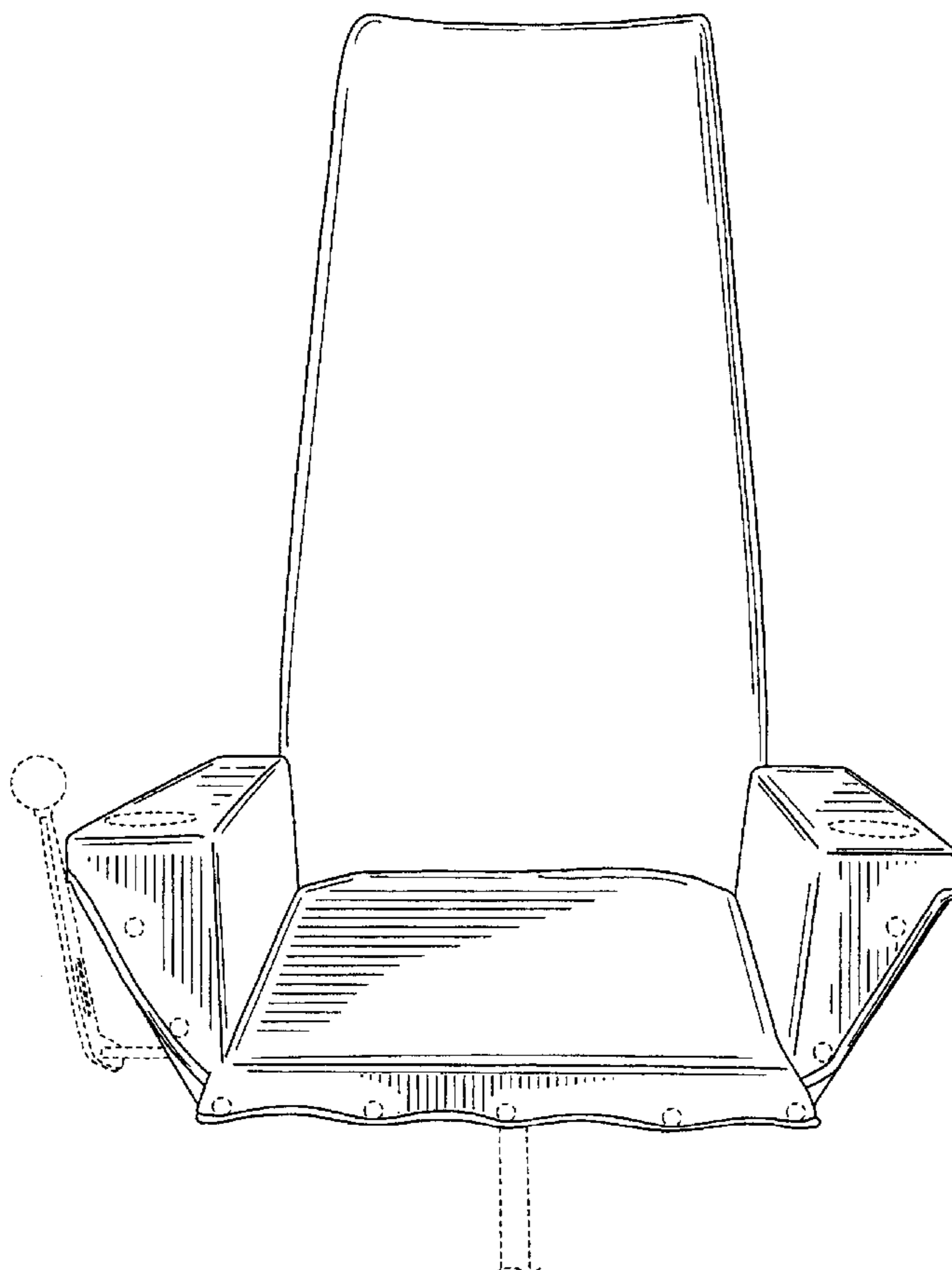
FIG. 5 is an enlarged left side elevational view of the seat shown in FIG. 1;

FIG. 6 is an enlarged top plan view of a seat shown in FIG. 1; and,

FIG. 7 is an enlarged bottom plan view of the seat shown in FIG. 1.

The broken lines shown herein form no part of the claimed design.

1 Claim, 7 Drawing Sheets



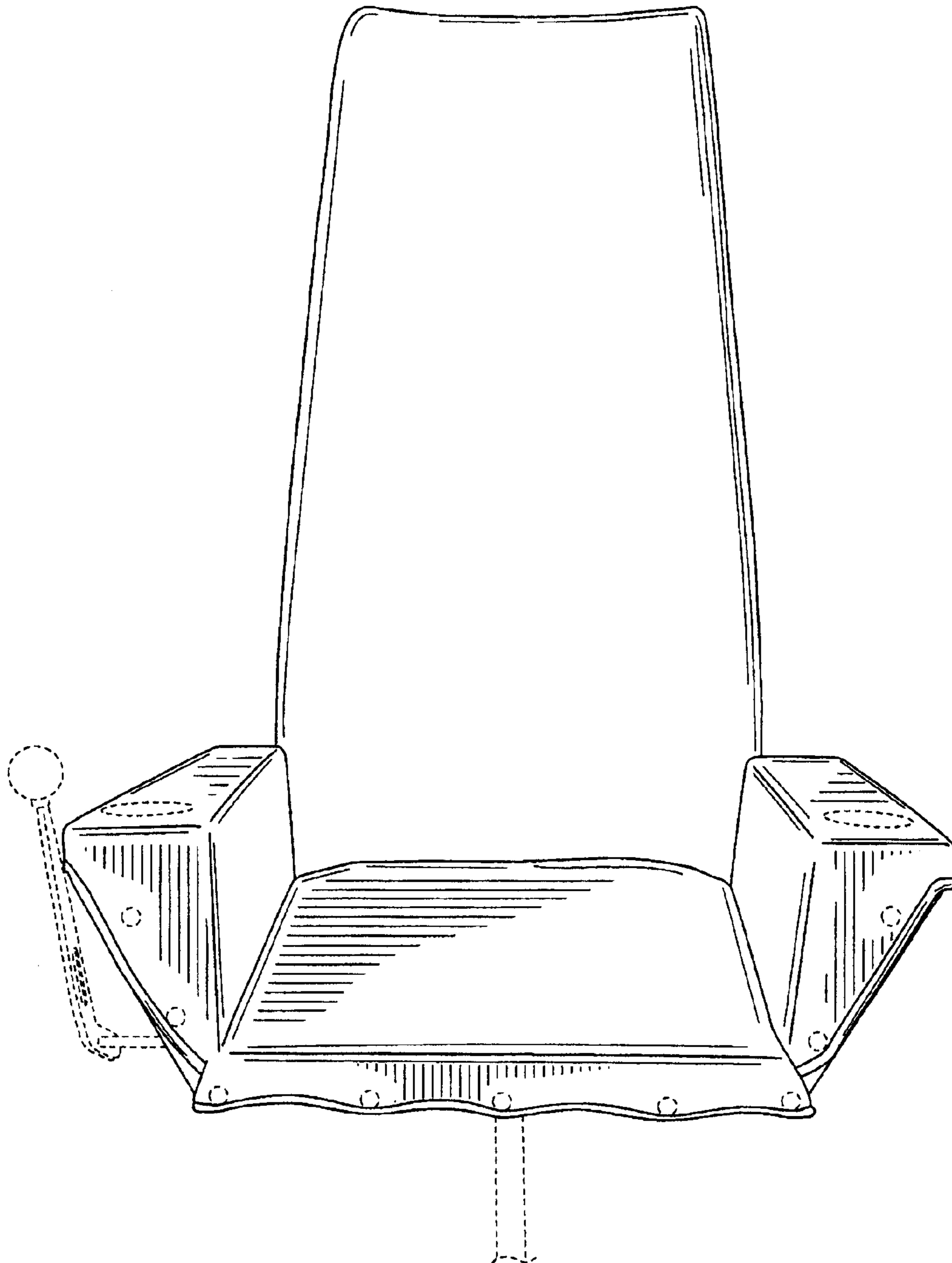


FIG. 1

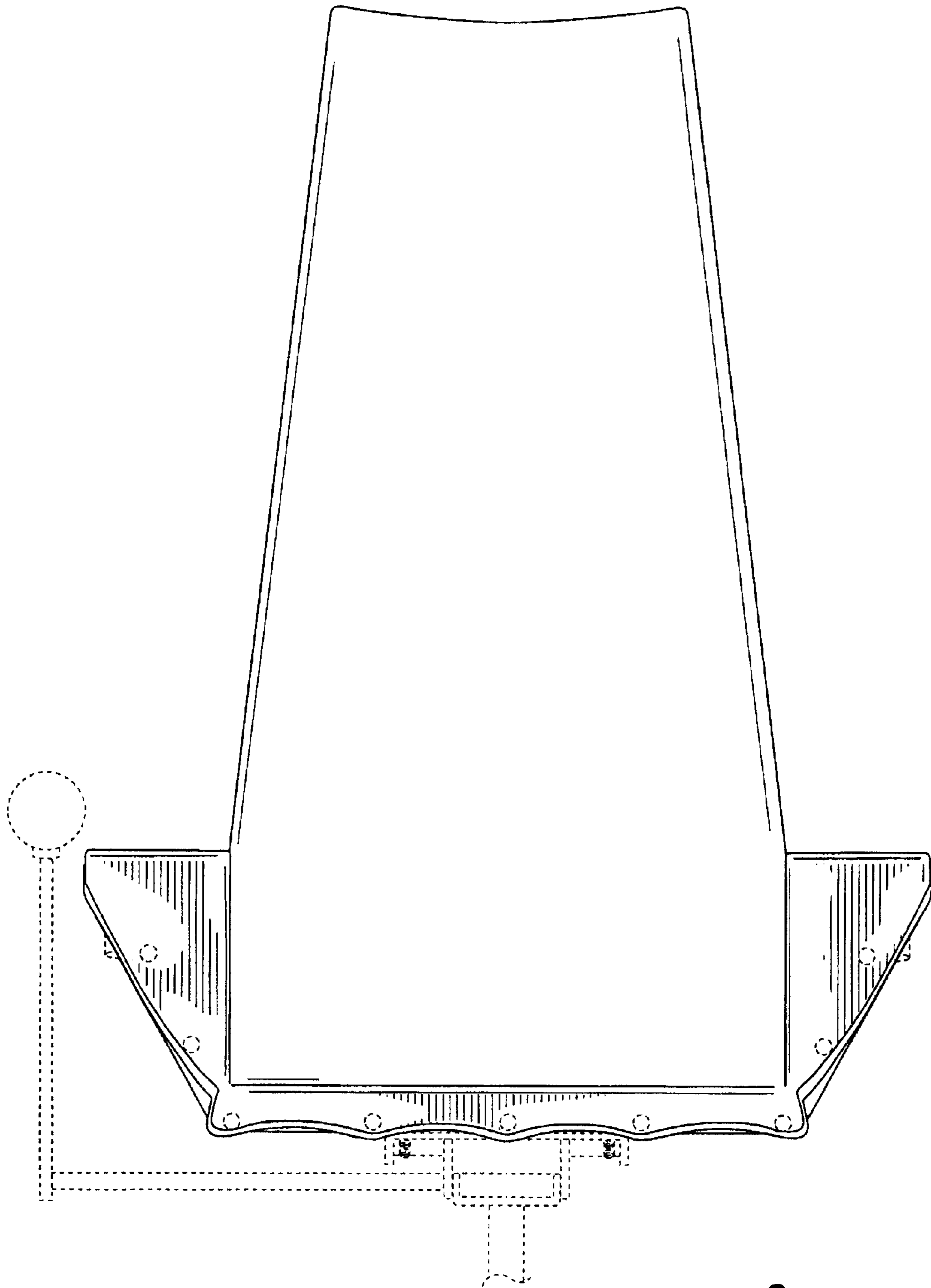


FIG. 2

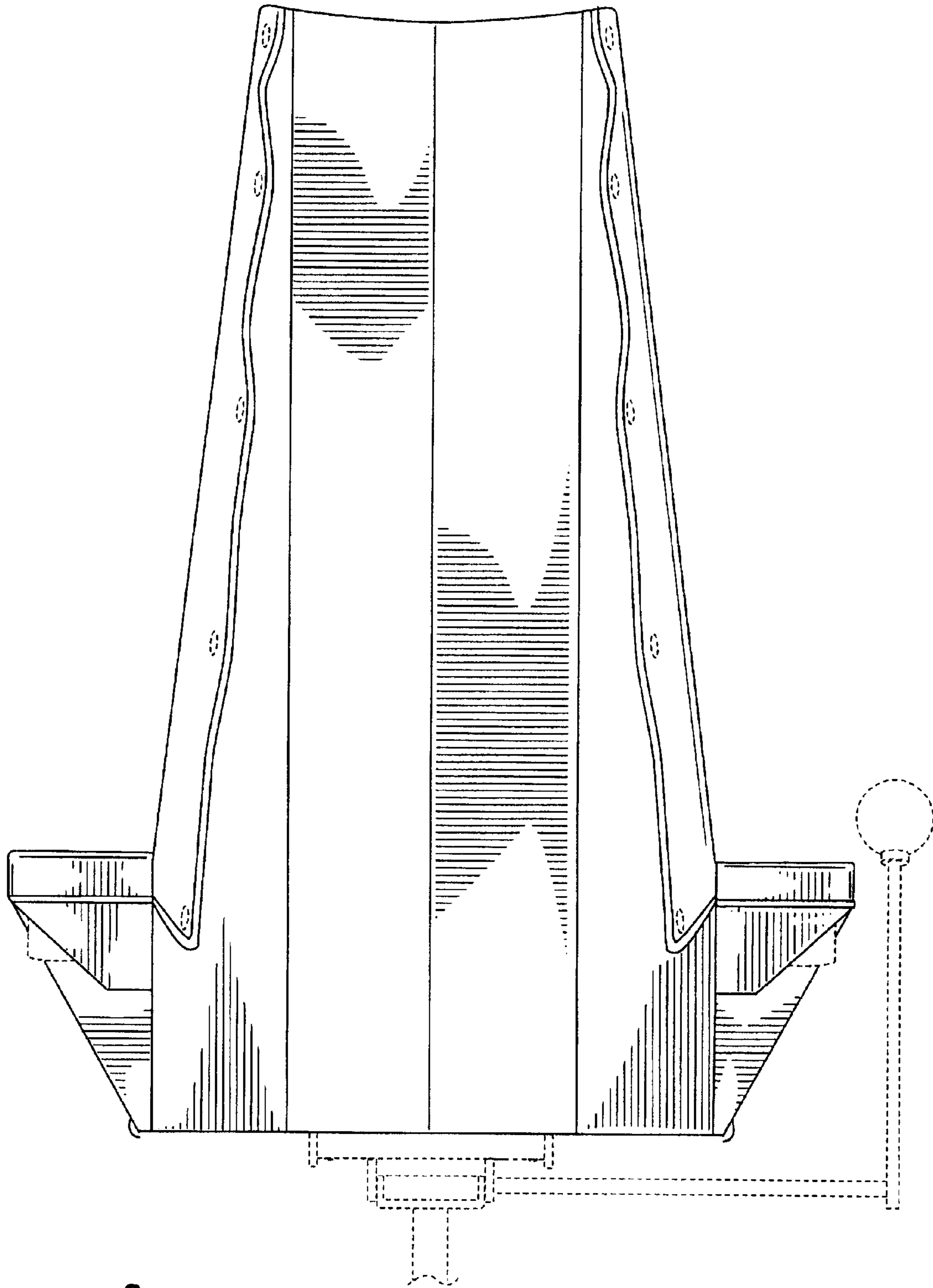


FIG. 3

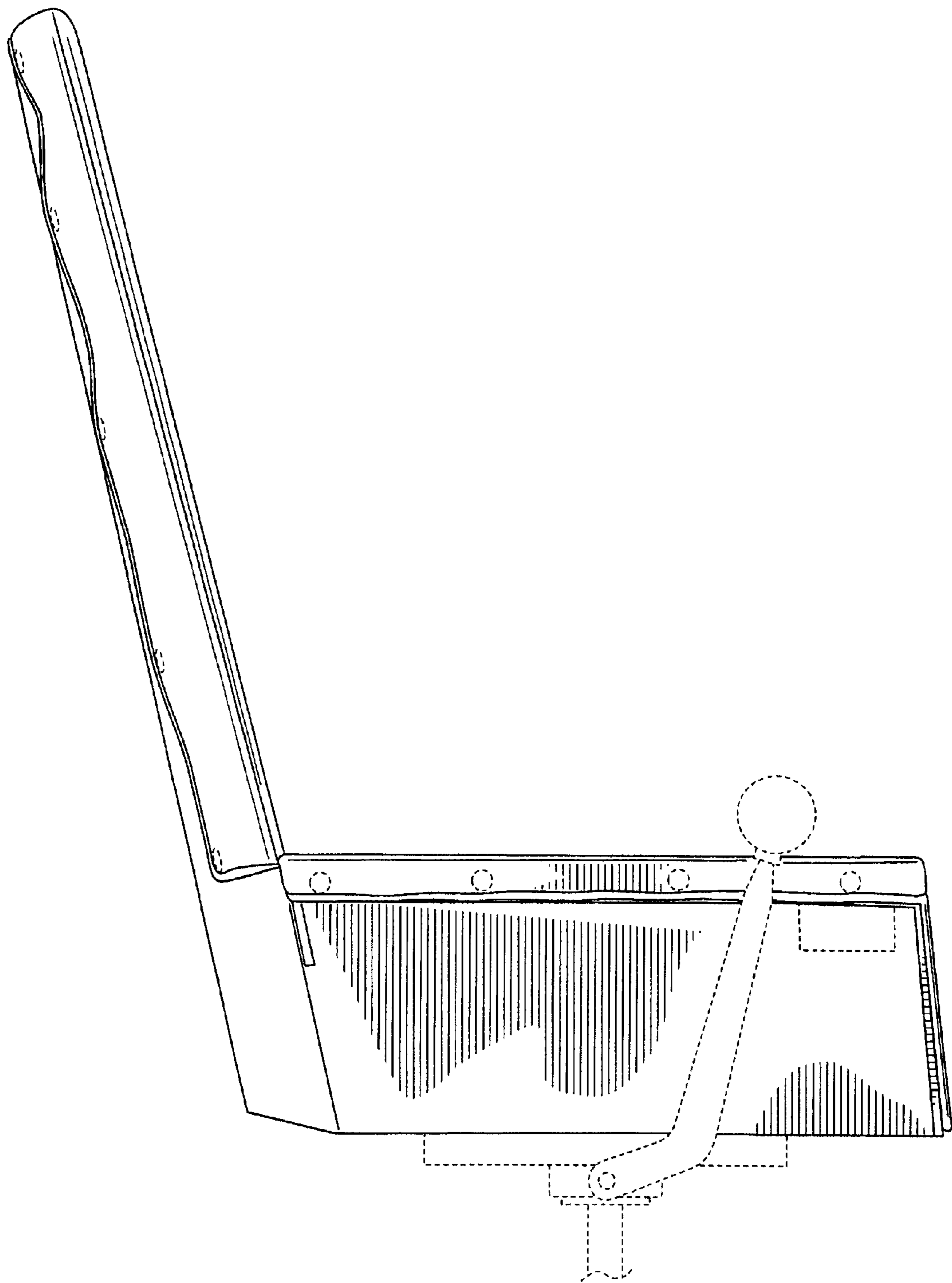


FIG. 4

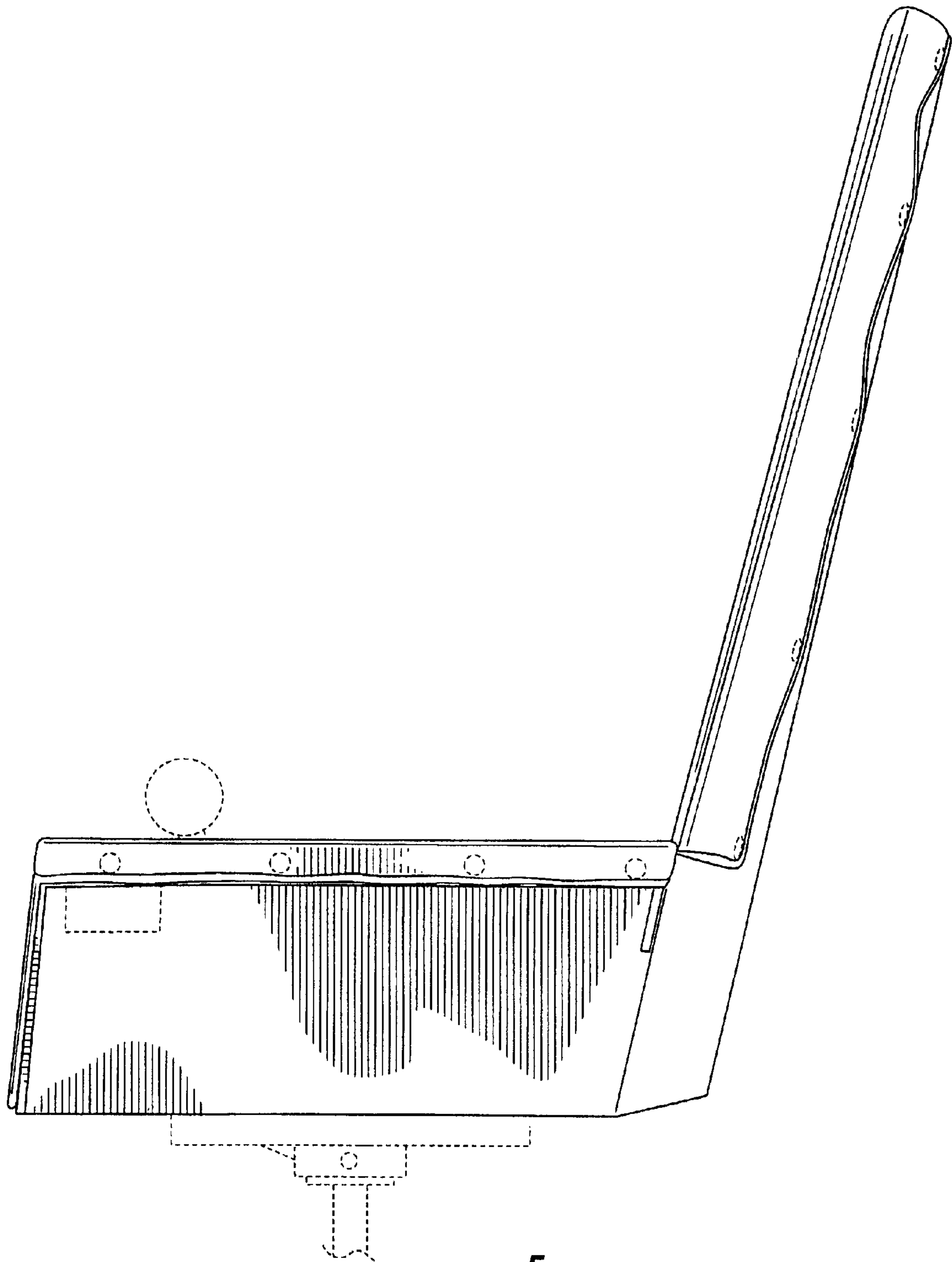


FIG. 5

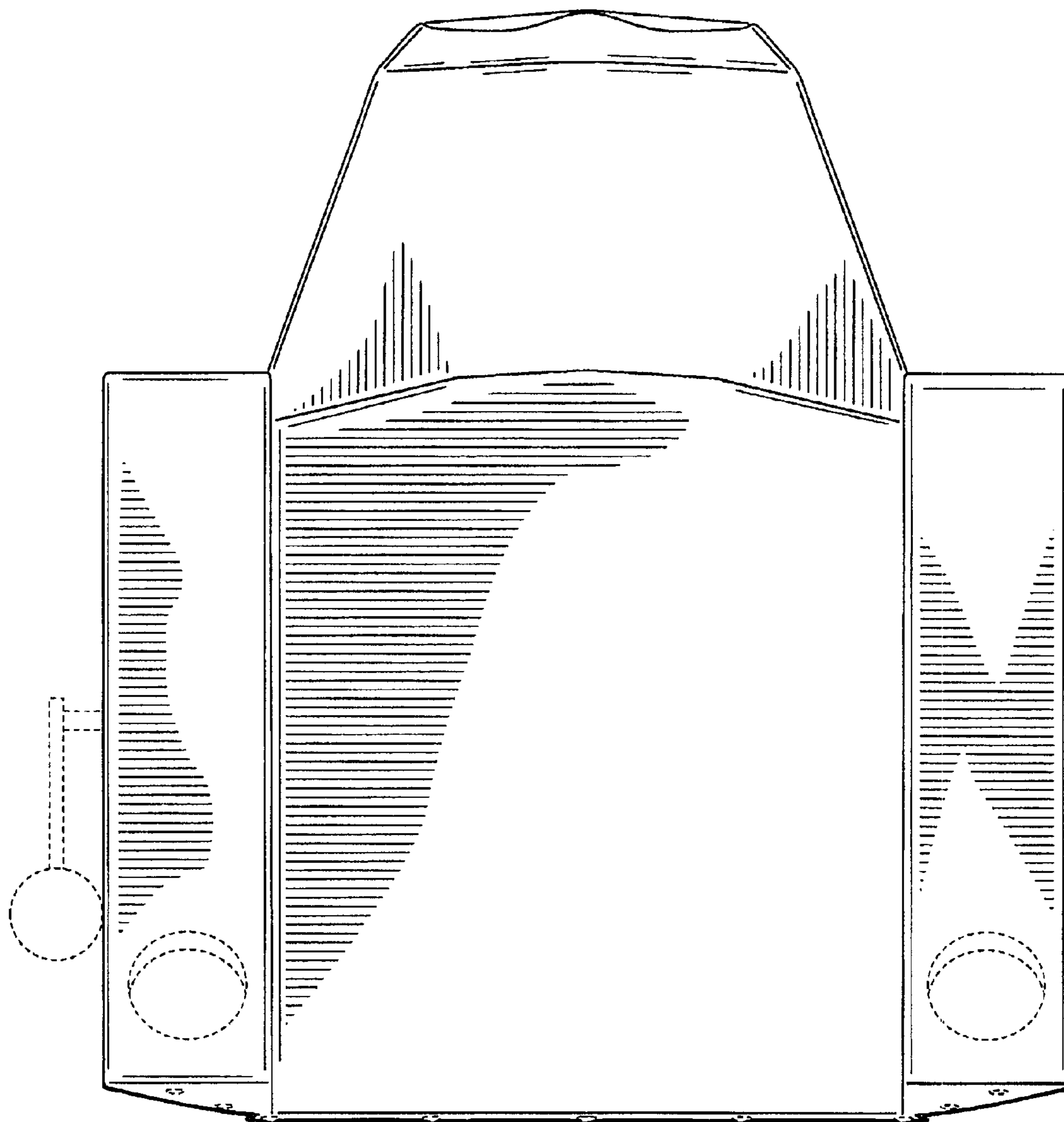


FIG. 6

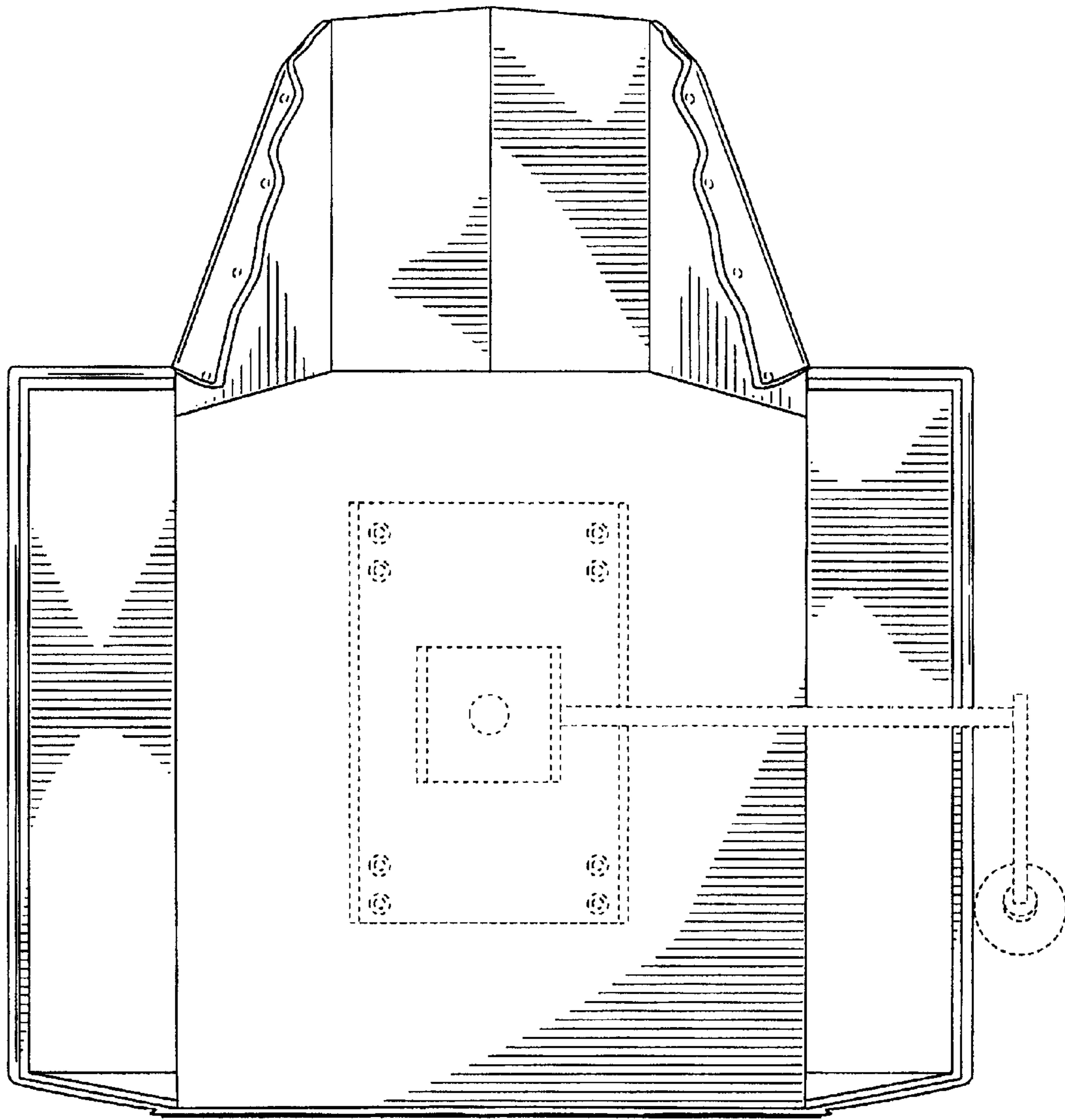


FIG. 7