

US00D540568S

(12) **United States Design Patent**  
**Clucas**

(10) **Patent No.:** **US D540,568 S**

(45) **Date of Patent:** **\*\* Apr. 17, 2007**

(54) **SHELVES**

(75) Inventor: **Michael P. Clucas**, Boothwyn, PA (US)

(73) Assignee: **Zenith Products Corp.**, New Castle, DE (US)

(\*\*) Term: **14 Years**

(21) Appl. No.: **29/221,581**

(22) Filed: **Jan. 18, 2005**

(51) **LOC (8) Cl.** ..... **06-04**

(52) **U.S. Cl.** ..... **D6/465; D6/396; D6/449; D6/499**

(58) **Field of Classification Search** ..... D6/396, D6/397, 630, 449, 465, 468, 474, 476-479, D6/510, 511; 108/59-61, 91-93, 147.11, 108/158.11; 211/42, 43, 49.1, 85.26, 134, 211/133.2, 182, 188, 203; 312/7.2  
See application file for complete search history.

(56) **References Cited**

**U.S. PATENT DOCUMENTS**

2,913,128 A \* 11/1959 Milner ..... 108/181  
D229,383 S \* 11/1973 Rollins, Jr. .... D6/456

D278,196 S \* 4/1985 Koves ..... D6/465  
D291,165 S \* 8/1987 Ray ..... D6/465  
D292,658 S \* 11/1987 Kester ..... D6/465  
D323,256 S \* 1/1992 Kee ..... D6/465  
D328,400 S \* 8/1992 Kee ..... D6/465  
D424,836 S \* 5/2000 Kopala, Jr. .... D6/465  
D501,738 S \* 2/2005 Clucas ..... D6/465

\* cited by examiner

*Primary Examiner*—Caron D. Veynar

*Assistant Examiner*—Sydney R. Buffalow

(74) *Attorney, Agent, or Firm*—Akin Gump Strauss Hauer & Feld, LLP

(57) **CLAIM**

The ornamental design for shelves, as shown and described.

**DESCRIPTION**

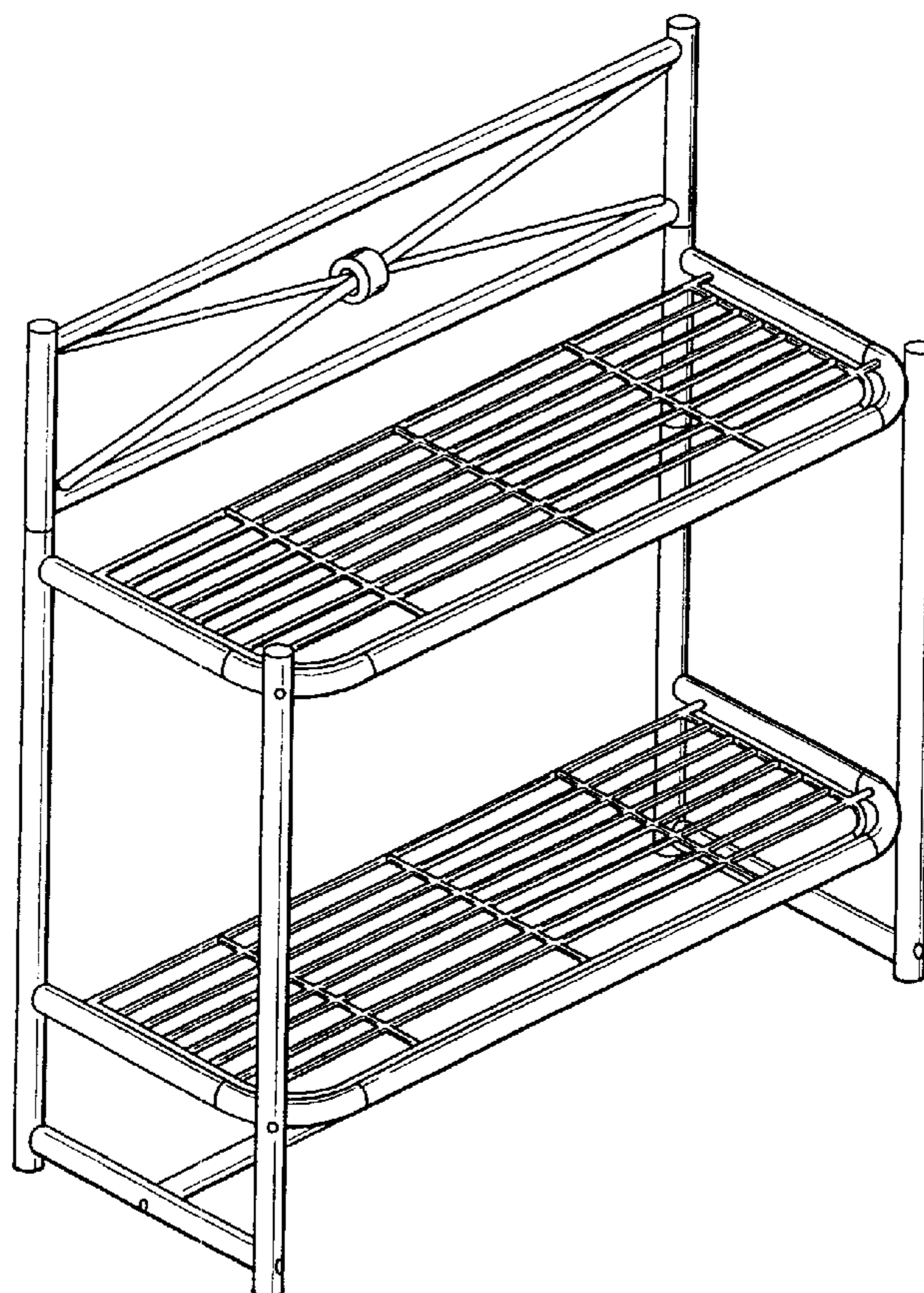
FIG. 1 is a perspective view of shelves showing my new design;

FIG. 2 is a front elevational view thereof;

FIG. 3 is a top plan view thereof; and,

FIG. 4 is a left side view thereof, the opposite side being a mirror image of the side shown.

**1 Claim, 2 Drawing Sheets**



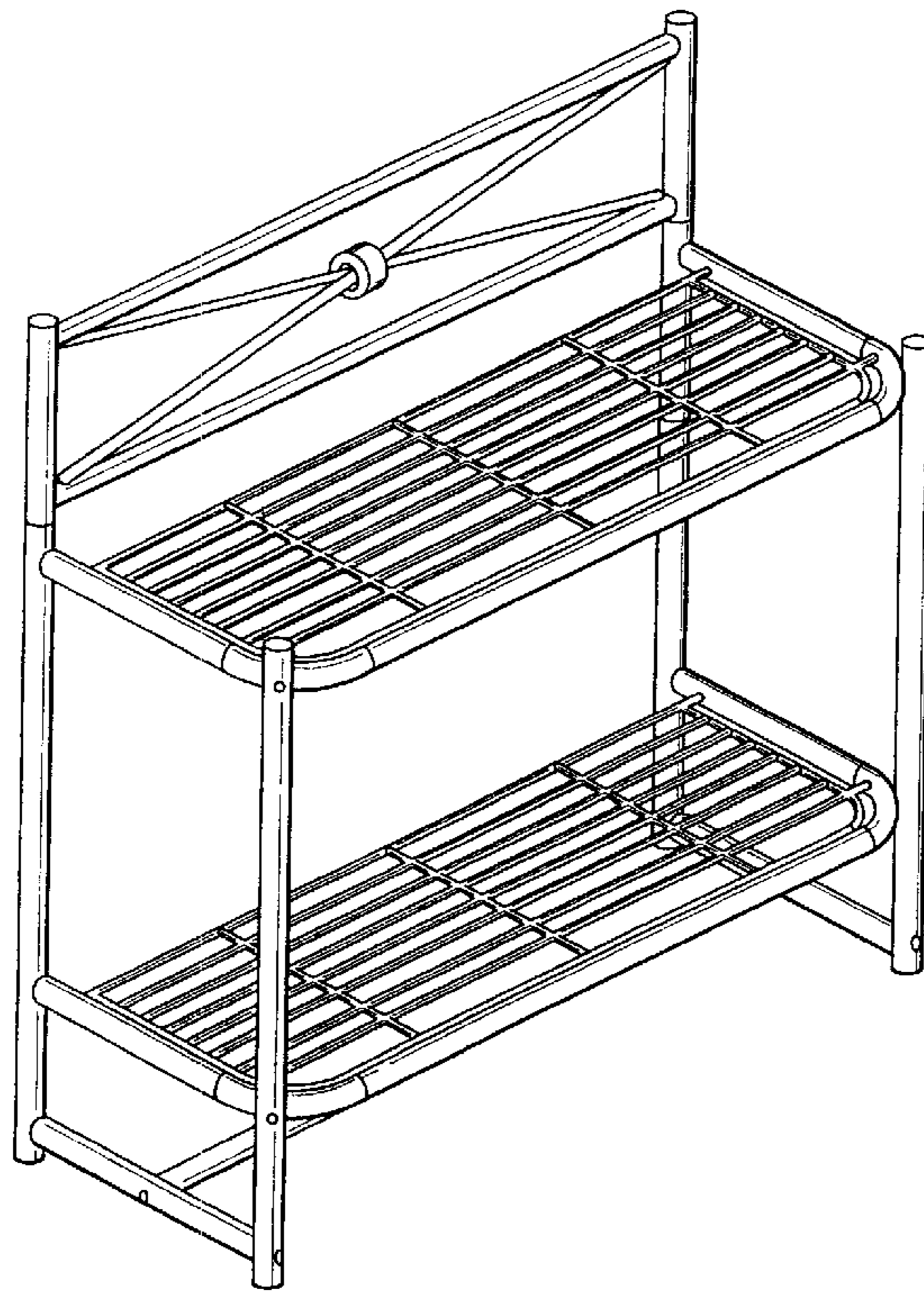
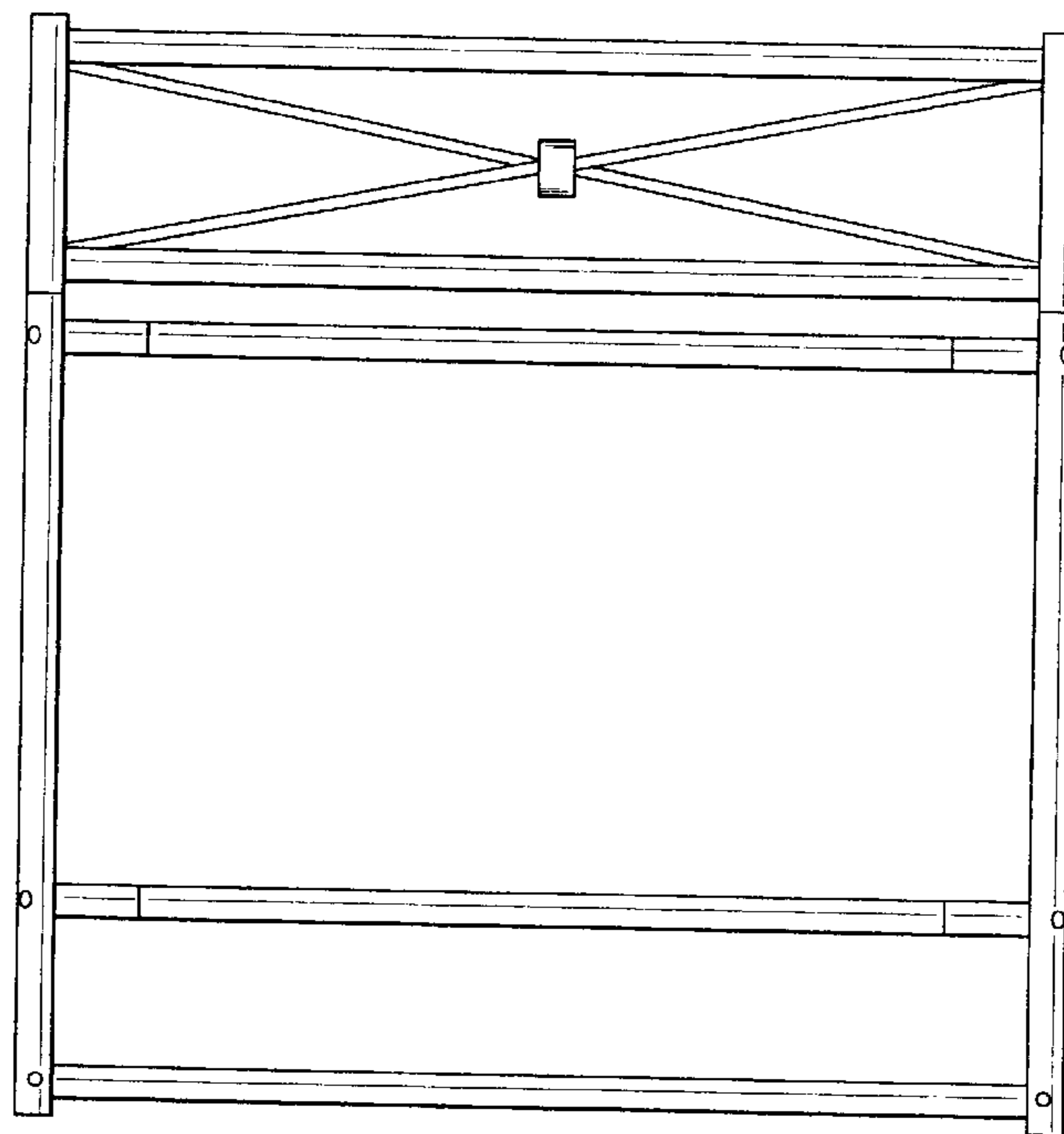


Fig-1

Fig-2



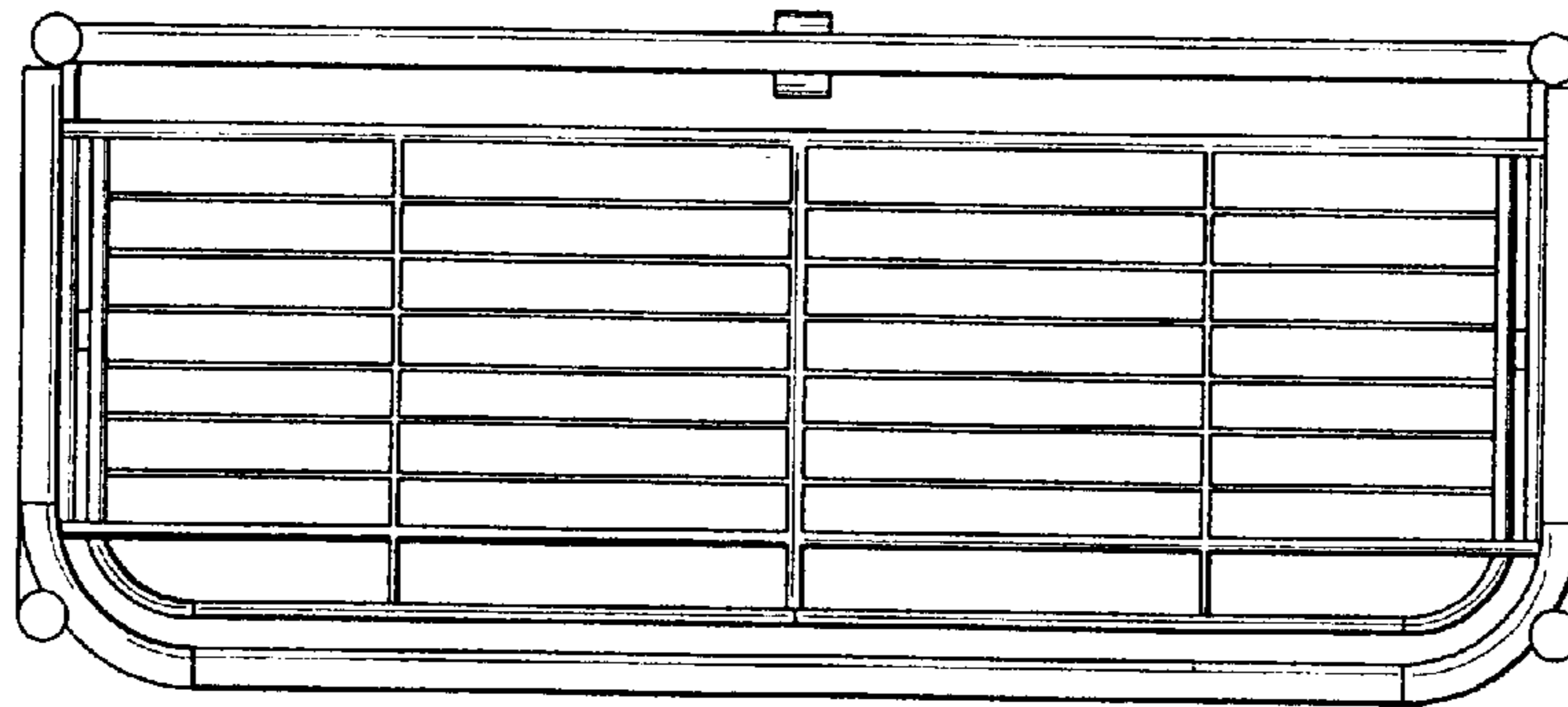


Fig-3

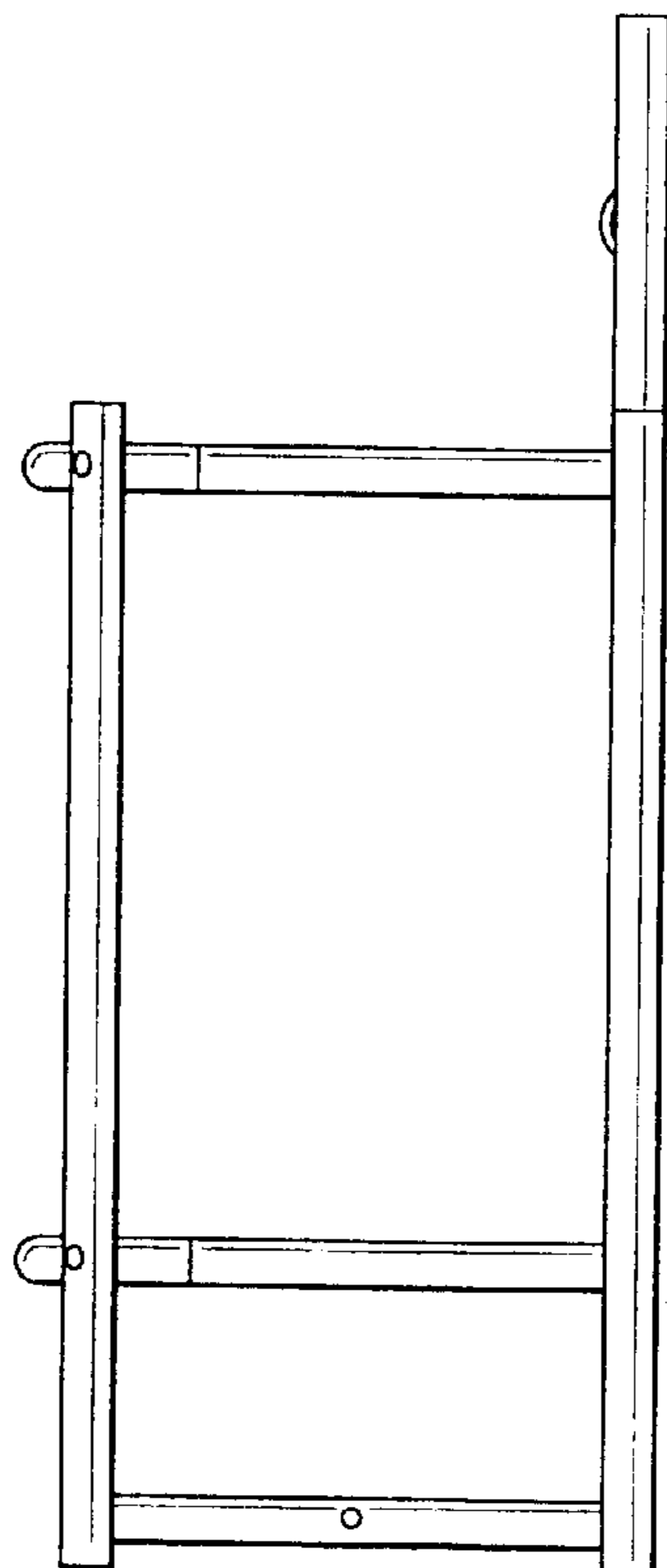


Fig-4