

US00D540565S

(12) **United States Design Patent**
Nakamura

(10) **Patent No.:** **US D540,565 S**

(45) **Date of Patent:** **** Apr. 17, 2007**

(54) **DESK WITH A SCREEN**

(75) Inventor: **Kenji Nakamura**, Yokohama (JP)

(73) Assignee: **Okamura Corporation** (JP)

(**) Term: **14 Years**

(21) Appl. No.: **29/227,394**

(22) Filed: **Apr. 11, 2005**

(30) **Foreign Application Priority Data**

Oct. 14, 2004 (JP) 2004-031124

(51) **LOC (8) Cl.** **06-03**

(52) **U.S. Cl.** **D6/421**

(58) **Field of Classification Search** D6/480-489,
D6/495, 511, 421-426, 332; 108/50.01, 50.02,
108/60; 160/135; 52/36.1, 237
See application file for complete search history.

(56) **References Cited**

U.S. PATENT DOCUMENTS

D225,871 S * 1/1973 Crannell D6/421

D392,132 S * 3/1998 Barlow-Lawson D6/511
D424,828 S * 5/2000 Ko D6/429
D458,041 S * 6/2002 Couture et al. D6/332
D530,939 S * 10/2006 Nakamura D6/425

* cited by examiner

Primary Examiner—Janice E. Seeger

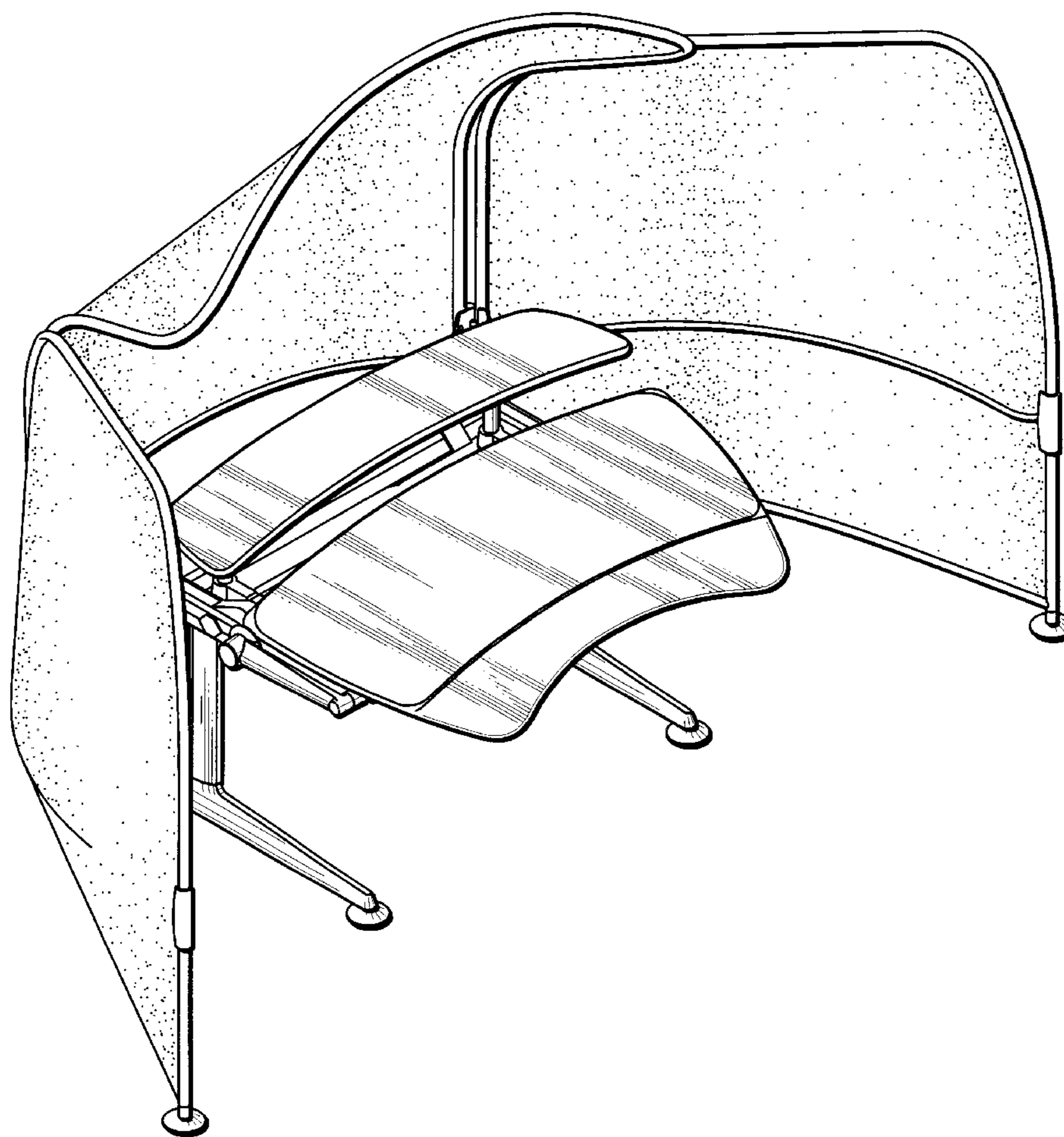
(57) **CLAIM**

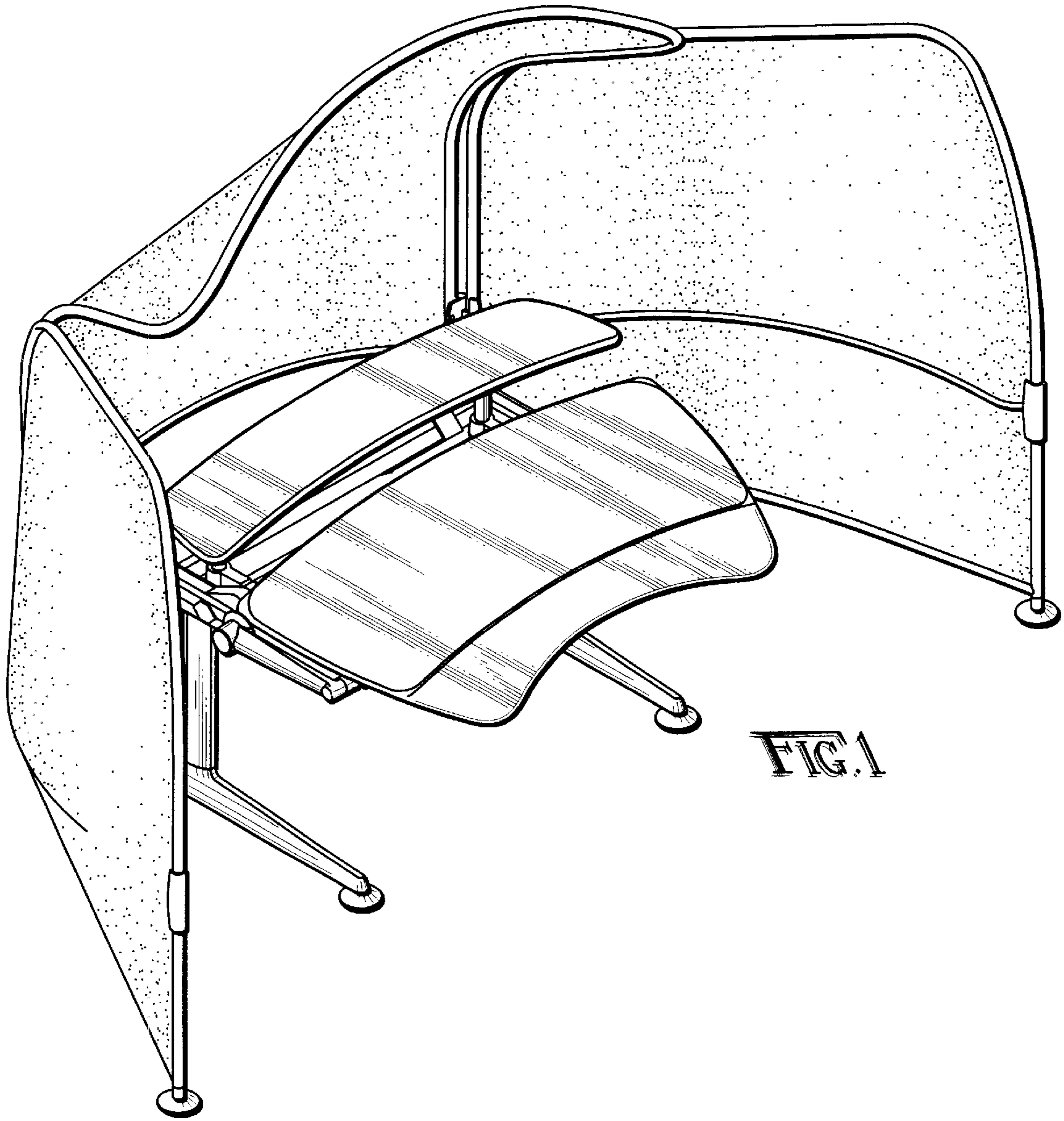
I claim the ornamental design for a desk with a screen, as shown.

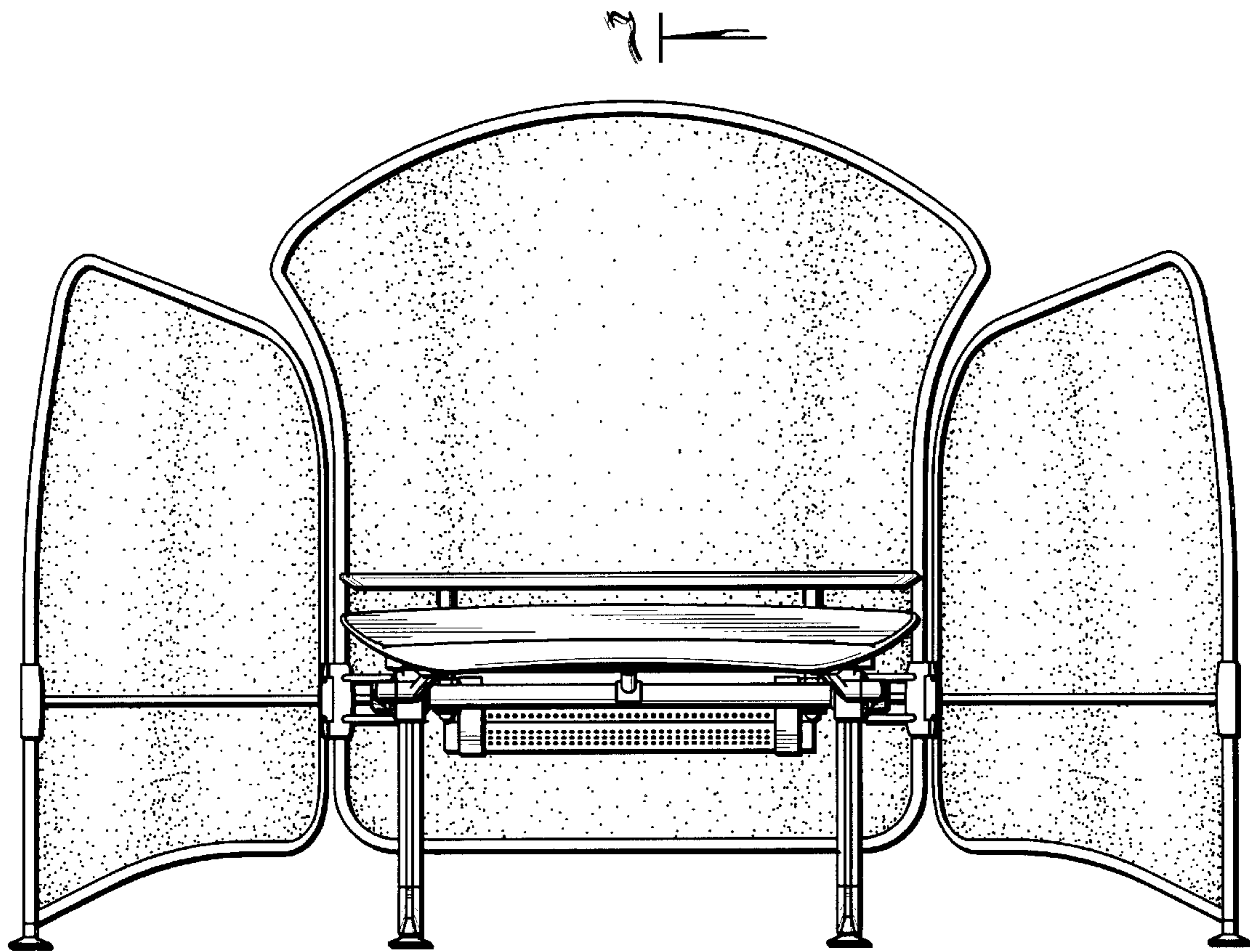
DESCRIPTION

FIG. 1 is a front perspective view of a desk with a screen showing my new design;
FIG. 2 is a front elevational view thereof;
FIG. 3 is a rear elevational view thereof;
FIG. 4 is a top plan view thereof;
FIG. 5 is a bottom plan view thereof;
FIG. 6 is a right side view thereof; and,
FIG. 7 is a vertical sectional view taken along the line 7—7 in FIG. 2.

1 Claim, 5 Drawing Sheets







3

FIG. 2

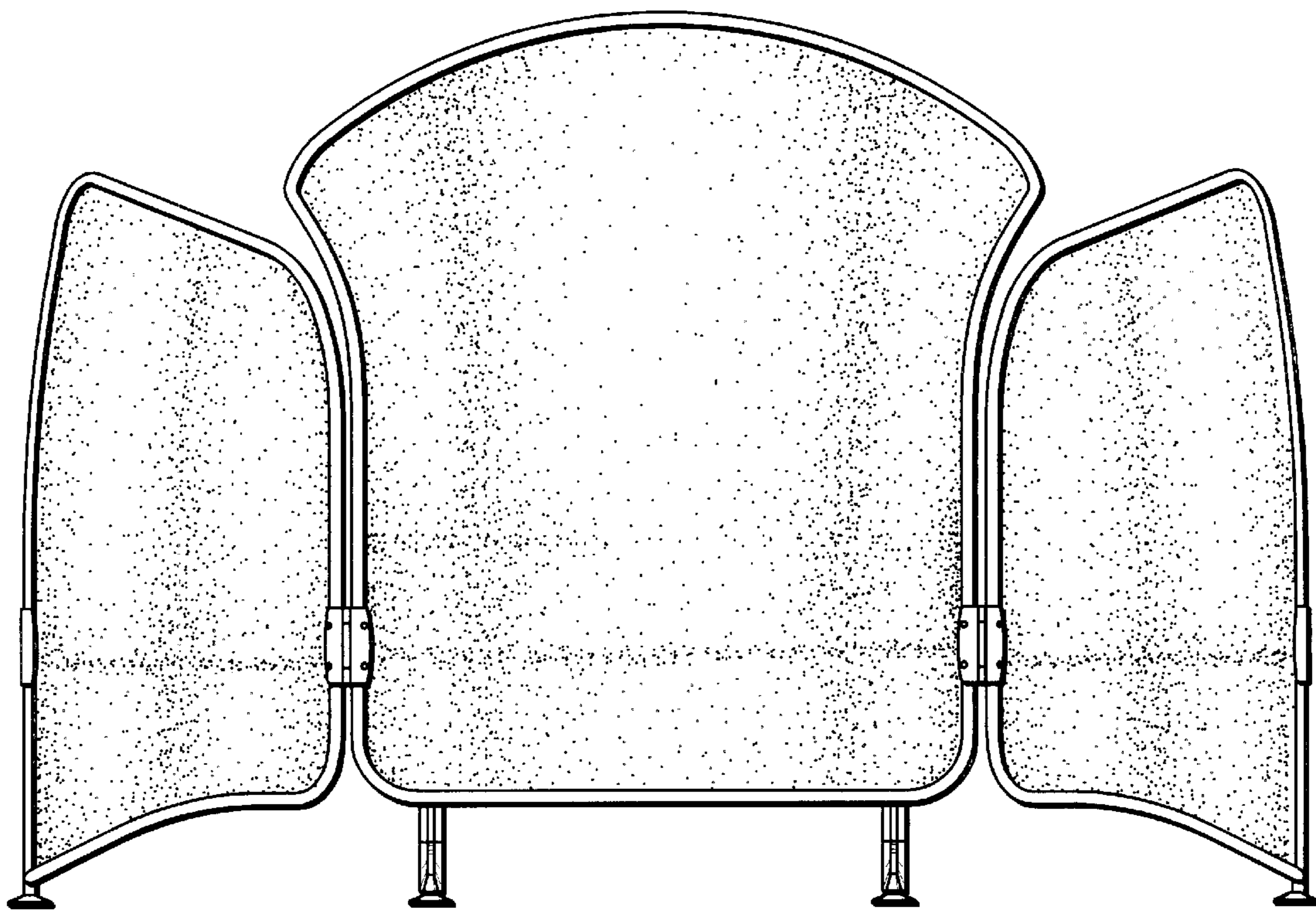


FIG. 3

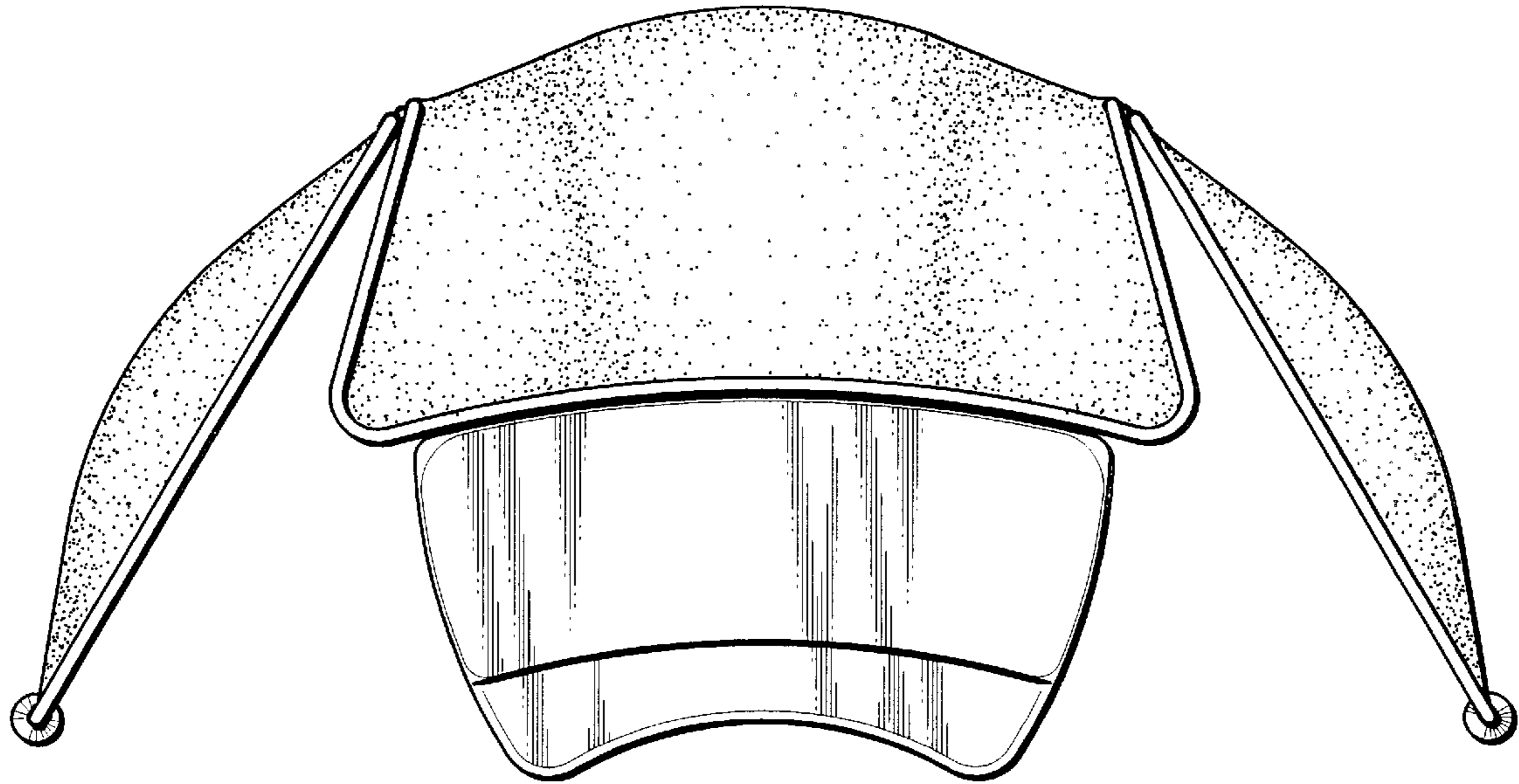


FIG. 4

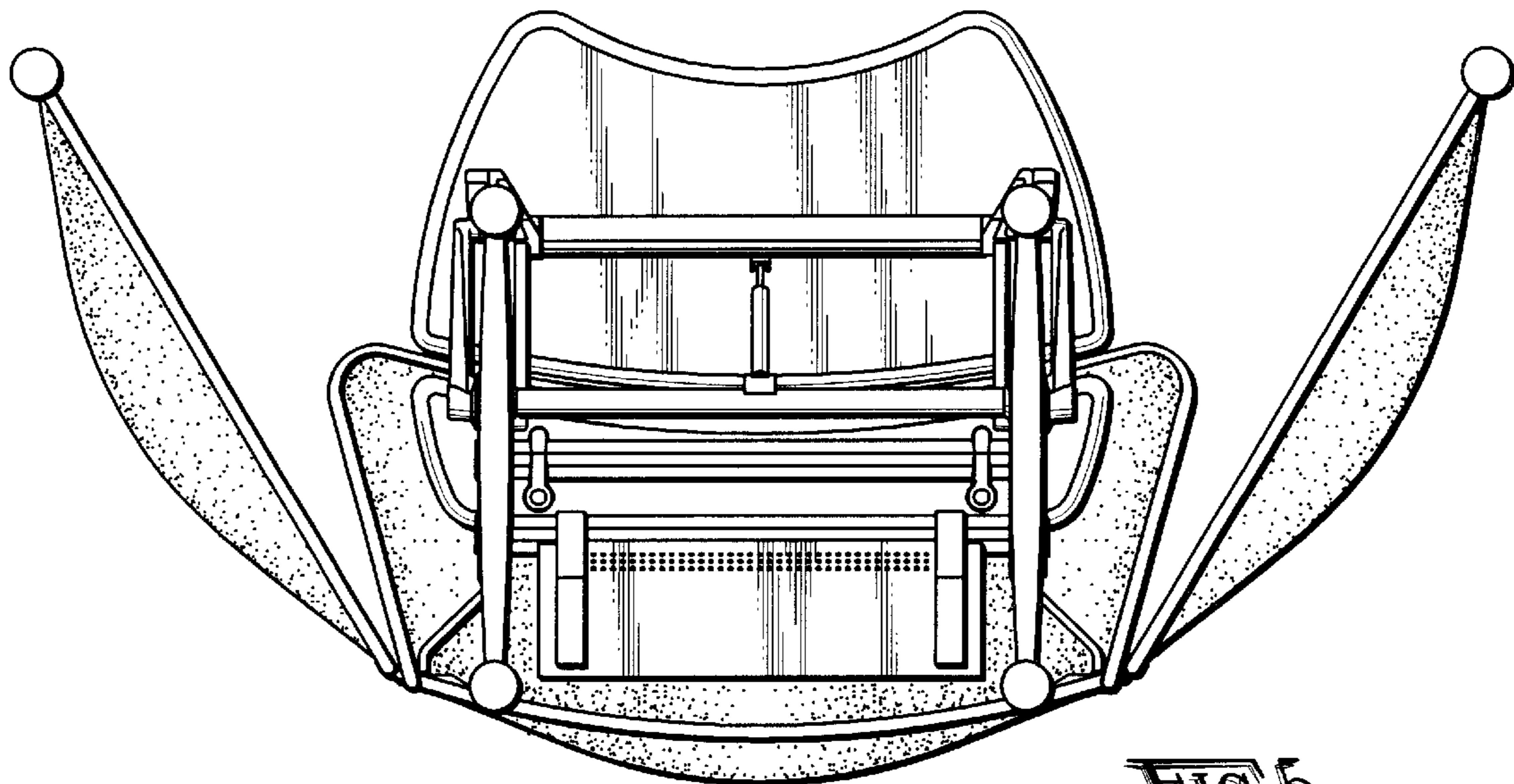


FIG. 5

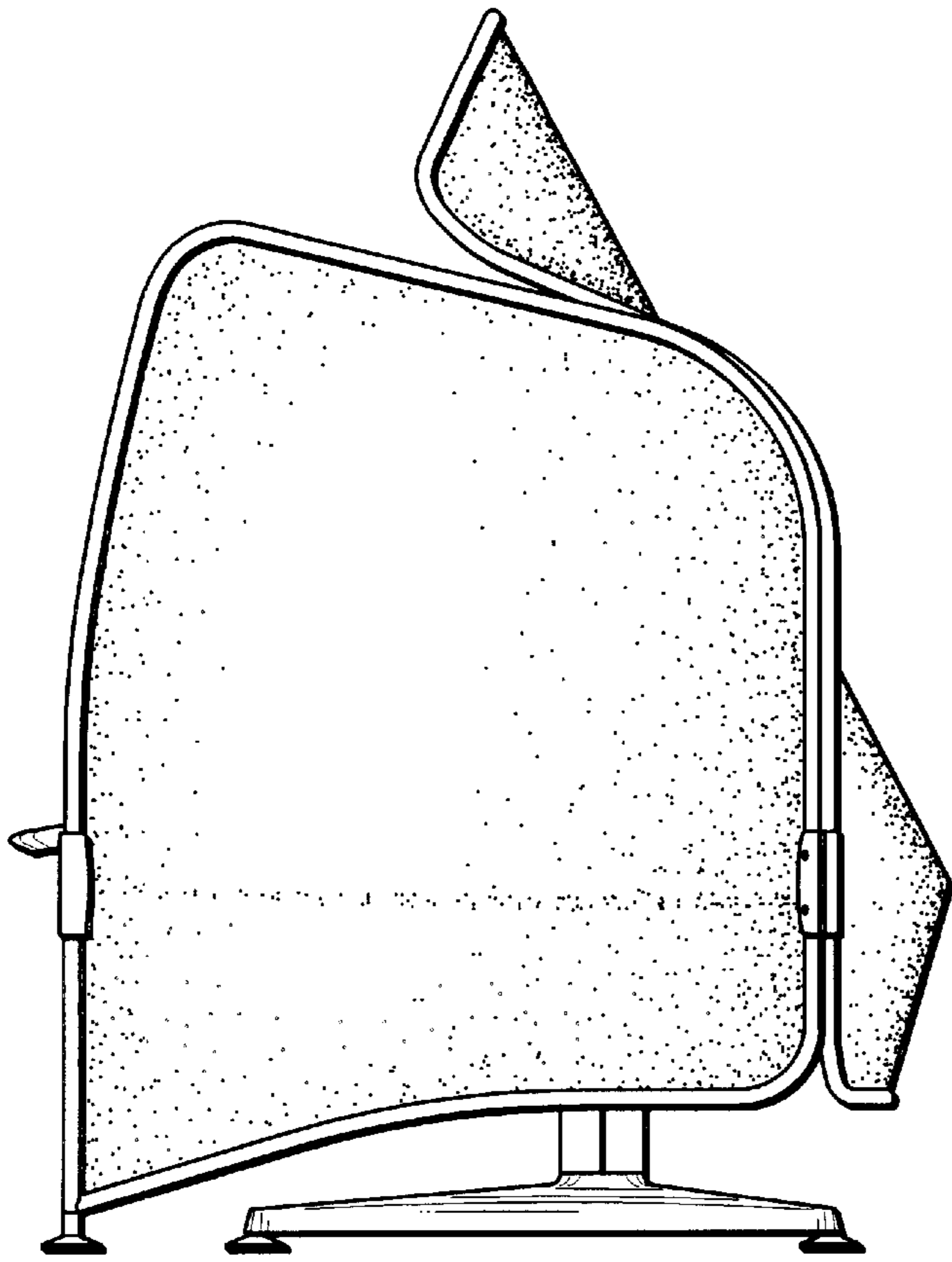


FIG. 6

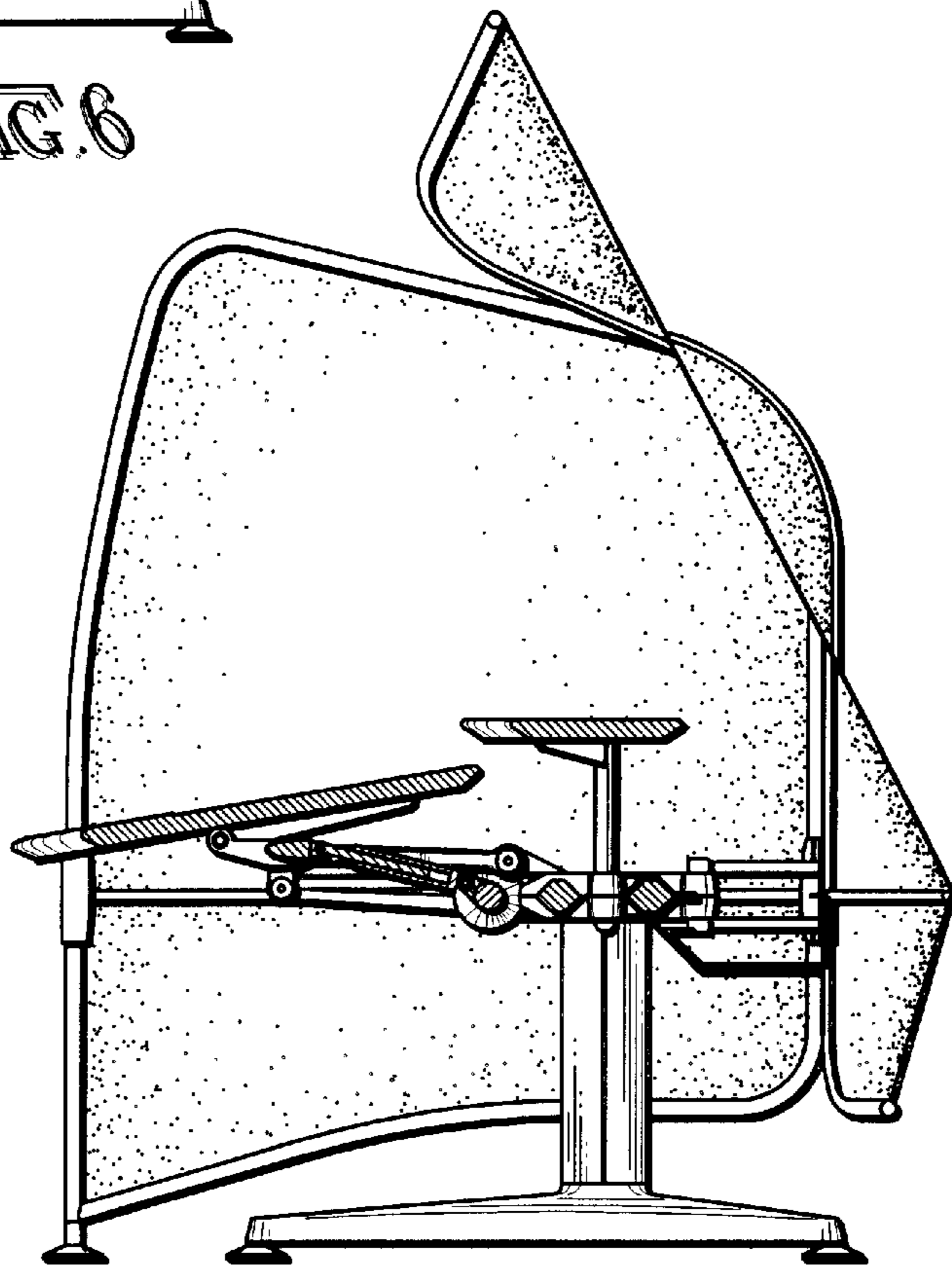


FIG. 7