



US00D540564S

(12) **United States Design Patent** (10) **Patent No.:** **US D540,564 S**
Tai (45) **Date of Patent:** **** Apr. 17, 2007**

(54) **MUSIC STAND**

(75) Inventor: **Jonathan Tai**, Shanghai (CN)
(73) Assignee: **Shanghai Max Precision Instrument Co., Ltd.**, Shanghai (CN)
(**) Term: **14 Years**

(21) Appl. No.: **29/221,825**

(22) Filed: **Jan. 20, 2005**

(51) **LOC (8) Cl.** **06-03**

(52) **U.S. Cl.** **D6/419**

(58) **Field of Classification Search** D6/419,
D6/310-312; 248/441.1, 444.1, 446, 460,
248/463, 464

See application file for complete search history.

(56) **References Cited**

U.S. PATENT DOCUMENTS

230,851 A	8/1880	Anthony
368,426 A	8/1887	Rutmann
575,729 A	1/1897	Palmer
730,062 A	6/1903	Widmer
1,359,811 A	11/1920	Kirkendell et al.
1,673,205 A	6/1928	Romao
1,684,912 A	9/1928	Dunklau
1,862,562 A	8/1930	Aldeen et al.
1,863,756 A	6/1932	Lufkin
2,547,924 A	4/1951	Citro
2,559,200 A	7/1951	Schaf
2,630,289 A	3/1953	Selig
2,727,708 A	12/1955	Lorenzen
2,940,709 A	6/1960	Neuwirth
3,057,591 A	10/1962	Welmer
3,526,380 A	9/1970	Tong
D223,638 S	5/1972	Smith
3,709,454 A	1/1973	Hyde
3,804,355 A	4/1974	Uroshevich

(Continued)

OTHER PUBLICATIONS

Hamilton Orchestra Music Stands Brochure; Hamilton Stands Incorporated; Middletown, Ohio.
Hercules Stands—Microphone Stands; Kaman Music Corporation; Bloomfield Connecticut 2003.
<http://www.guitarvings.com>; Monteleone Instruments; Islip, NY.
http://www.hamiltonstands.com/guitar_stands.htm; Hamilton Stands, Inc.; Middletown, OH.
<http://www.activemusician.com>; Adam Hanger Guitar Stand.
<http://www.zzounds.com>; Hercules GS414B Auto Grab System Guitar Stand.
<http://www.wholenote.com>; Hamilton Guitar Stand—The Hanger—Chrome.
<http://www.samash.com>; Hercules—GS414B Single Auto-Grab Guitar Stand.
Hamilton School and Orchestra Stands, Conductors' Stands; Folding Stands, Instrument Stands Brochure; Hamilton Stands Incorporated.
Ultimate Support Systems, Inc. Product Catalog 2004; Fort Collins, Colorado.
<http://www.activemusician.com>; Hamilton Guitar Stand—Standard.

Primary Examiner—Janice E. Seeger
(74) *Attorney, Agent, or Firm*—William W. Cochran; Cochran Freund & Young LLC

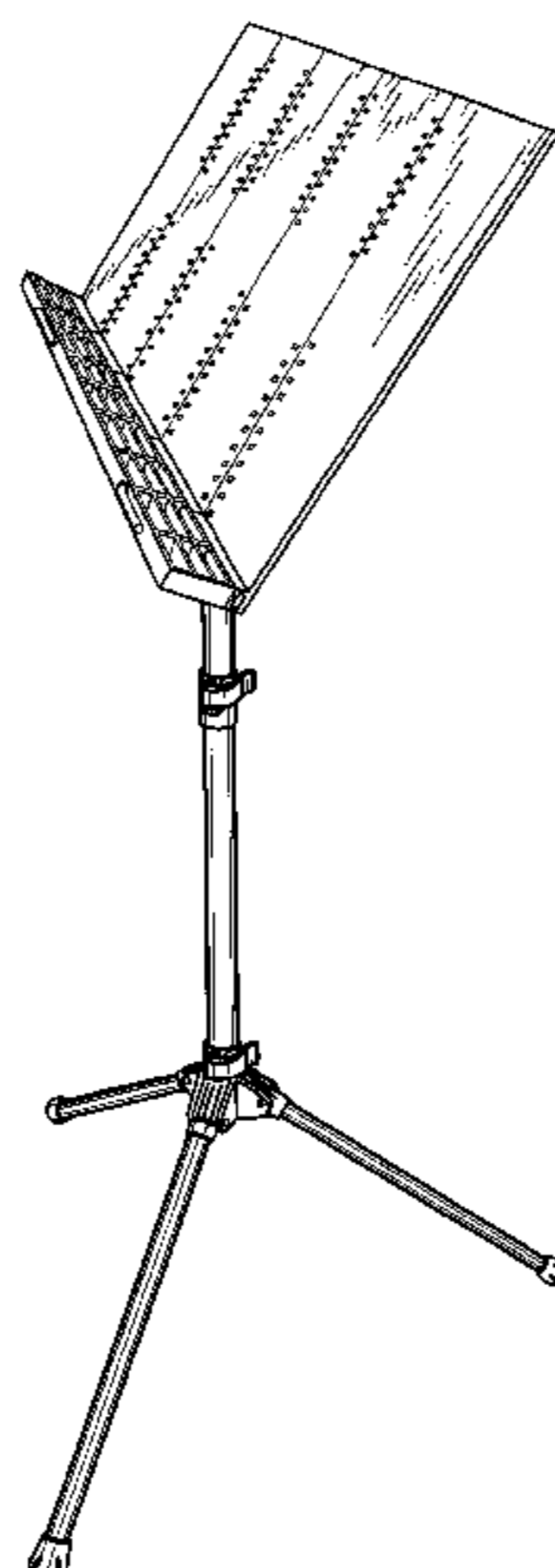
(57) **CLAIM**

The ornamental design for a music stand, as shown and described.

DESCRIPTION

FIG. 1 is an isometric view of a music stand showing my new design.
FIG. 2 is a front view thereof.
FIG. 3 is a right side view thereof.
FIG. 4 is a left side view thereof.
FIG. 5 is a rear view thereof.
FIG. 6 is a top view thereof; and,
FIG. 7 is a bottom view thereof.

1 Claim, 7 Drawing Sheets



US D540,564 S

Page 2

U.S. PATENT DOCUMENTS

3,881,675 A	5/1975	Matchett		D375,003 S	10/1996	Nordstrom
D235,706 S	* 7/1975	Pennington D6/419	5,664,756 A	9/1997	Liao
D236,227 S	8/1975	Kester, Jr.		5,690,310 A	* 11/1997	Brown 248/448
3,938,772 A	2/1976	Andrusiak		5,692,719 A	* 12/1997	Shepherd 248/460
3,958,786 A	5/1976	Mann		D389,341 S	1/1998	Danner
4,010,922 A	3/1977	Heller		5,713,547 A	2/1998	Yu
4,061,302 A	12/1977	Boone		5,713,553 A	* 2/1998	Cooper 248/461
4,099,441 A	7/1978	Landon		D392,123 S	3/1998	Lynch
4,205,818 A	6/1980	Lawler		5,726,369 A	3/1998	Gilday
4,317,552 A	3/1982	Weidler		5,744,735 A	4/1998	Liao
D265,873 S	8/1982	Smith		D394,764 S	6/1998	Nordstrom
4,352,480 A	10/1982	Gathright		D396,579 S	8/1998	Kalayjian
4,561,339 A	12/1985	Jensen		D400,734 S	11/1998	Dotson
4,582,282 A	4/1986	Gracie		5,836,552 A	11/1998	Yu
4,671,479 A	6/1987	Johnson		5,852,250 A	12/1998	Cha
4,691,610 A	9/1987	Gilbert		D407,240 S	3/1999	Payne
4,693,161 A	9/1987	Uhrig		D408,179 S	4/1999	Rellinger
4,695,021 A	9/1987	Leinfelder		D408,653 S	4/1999	Dotson
4,712,756 A	12/1987	Kester		D411,698 S	6/1999	Kalayjian
4,744,536 A	5/1988	Bancalari		5,934,628 A	8/1999	Bosnakovic
4,785,708 A	11/1988	Vaughan		5,957,417 A	9/1999	Yu
D299,244 S	1/1989	Jones		5,959,225 A	9/1999	Hsu
4,807,837 A	2/1989	Gawlik		D414,962 S	10/1999	Welsh
4,890,531 A	1/1990	Tischer		5,973,244 A	10/1999	McCulloch
4,923,156 A	5/1990	Linneusson		6,005,176 A	12/1999	Yu
5,029,796 A	7/1991	Schoenig		D419,707 S	1/2000	Tierney
5,037,057 A	8/1991	Andrews		6,015,121 A	1/2000	Reid
5,060,894 A	10/1991	Hillinger		D421,447 S	3/2000	Eason et al.
5,114,111 A	5/1992	Andrews		6,036,159 A	3/2000	Yu
D329,342 S	9/1992	Schoenig		6,113,040 A	9/2000	Yu
5,165,635 A	11/1992	Hoshino		6,121,527 A	9/2000	Hamm
D332,882 S	2/1993	Graves		6,127,612 A	10/2000	Yu
5,197,701 A	3/1993	Olson		D435,365 S	12/2000	Eason
5,213,296 A	5/1993	Lee		6,209,829 B1	4/2001	Yu
5,340,066 A	8/1994	Ditch		6,281,417 B1	8/2001	Ladao
5,350,143 A	9/1994	Hoshino		6,283,421 B1	9/2001	Eason
D353,729 S	12/1994	MacOwan		6,323,405 B1	11/2001	Yu
5,375,497 A	12/1994	Pirchio		6,375,135 B1	4/2002	Eason
5,383,634 A	1/1995	Liao		6,439,532 B1	8/2002	Yu
D356,901 S	4/1995	Schoenig et al.		6,513,768 B1	2/2003	Hsieh
D357,828 S	5/1995	Liao		6,682,042 B2	1/2004	Anderson
5,454,473 A	10/1995	Hennessey		D509,162 S	9/2005	Barnes
5,497,689 A	3/1996	Hoshino		2002/0070319 A1	6/2002	Yu
5,505,413 A	4/1996	Hennessey		2002/0088914 A1	7/2002	Yu
D370,369 S	6/1996	Nordstrom				

* cited by examiner

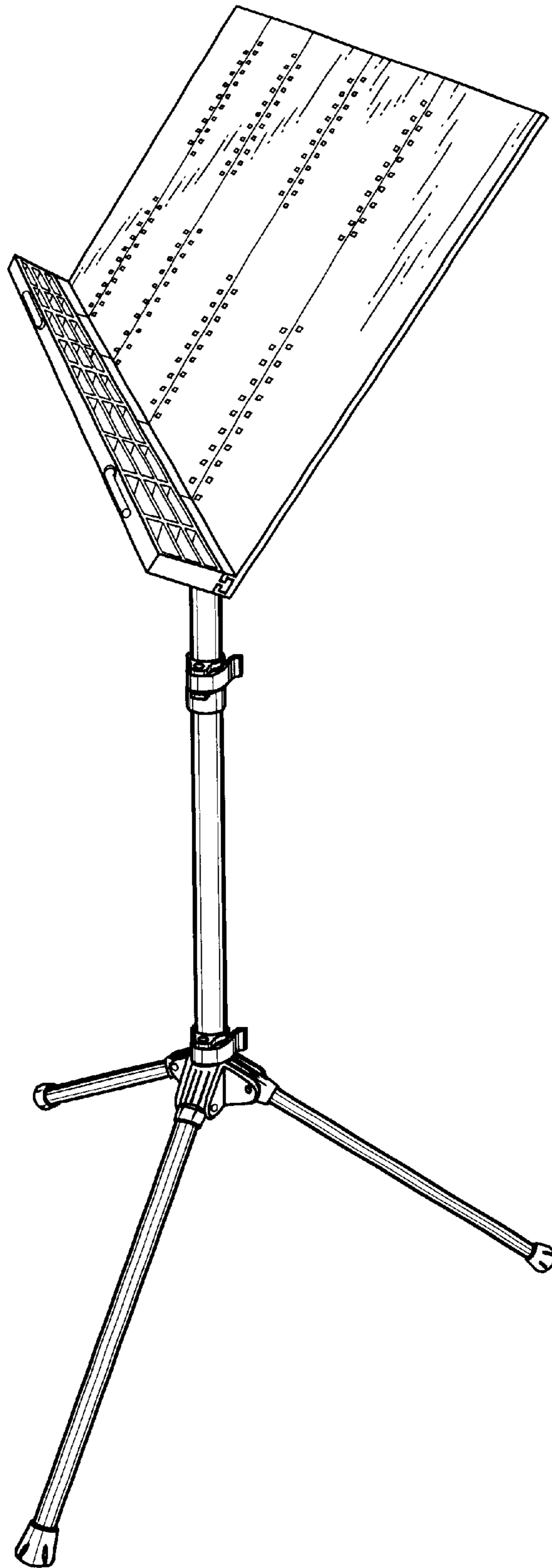


FIGURE 1

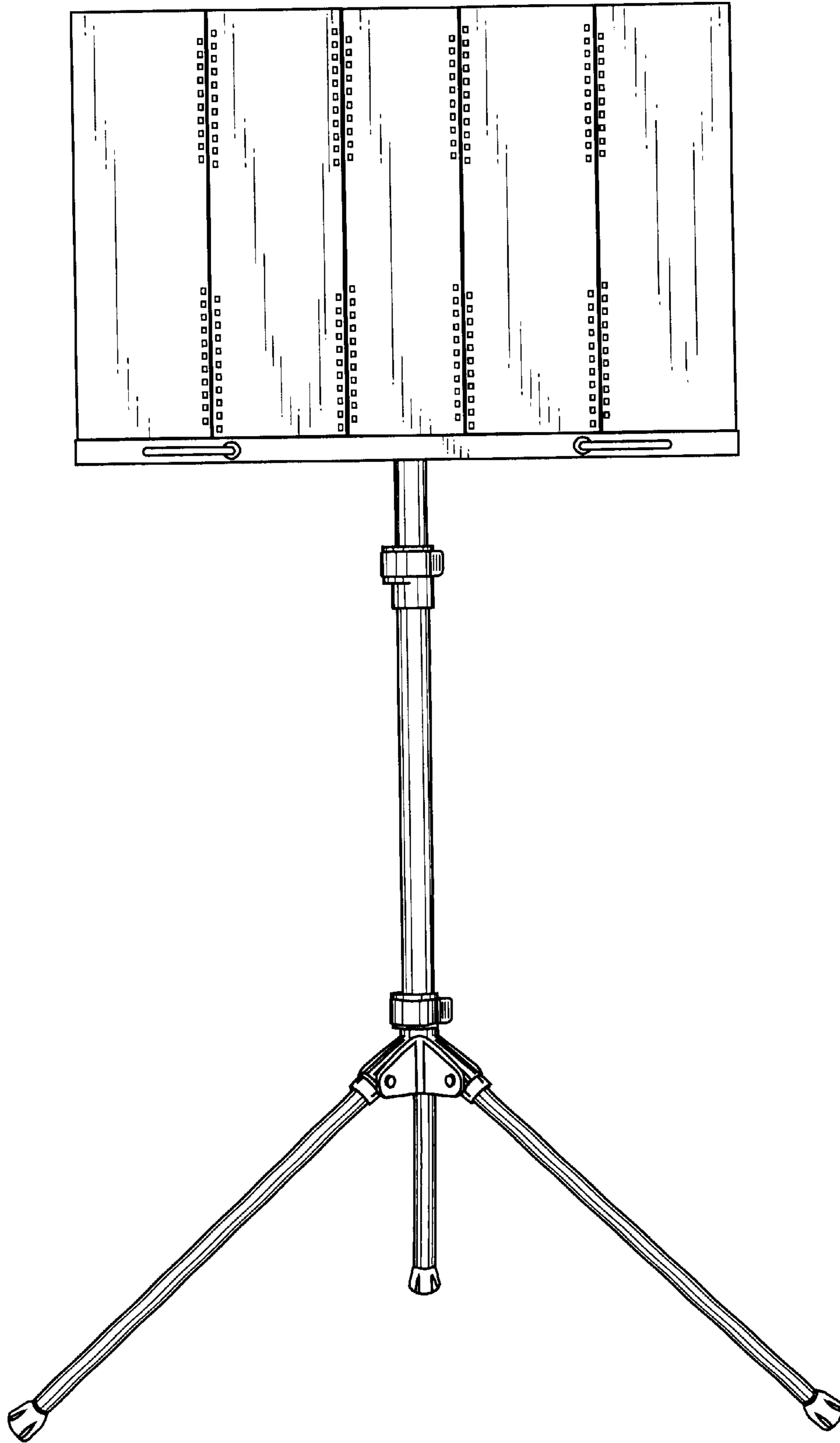


FIGURE 2

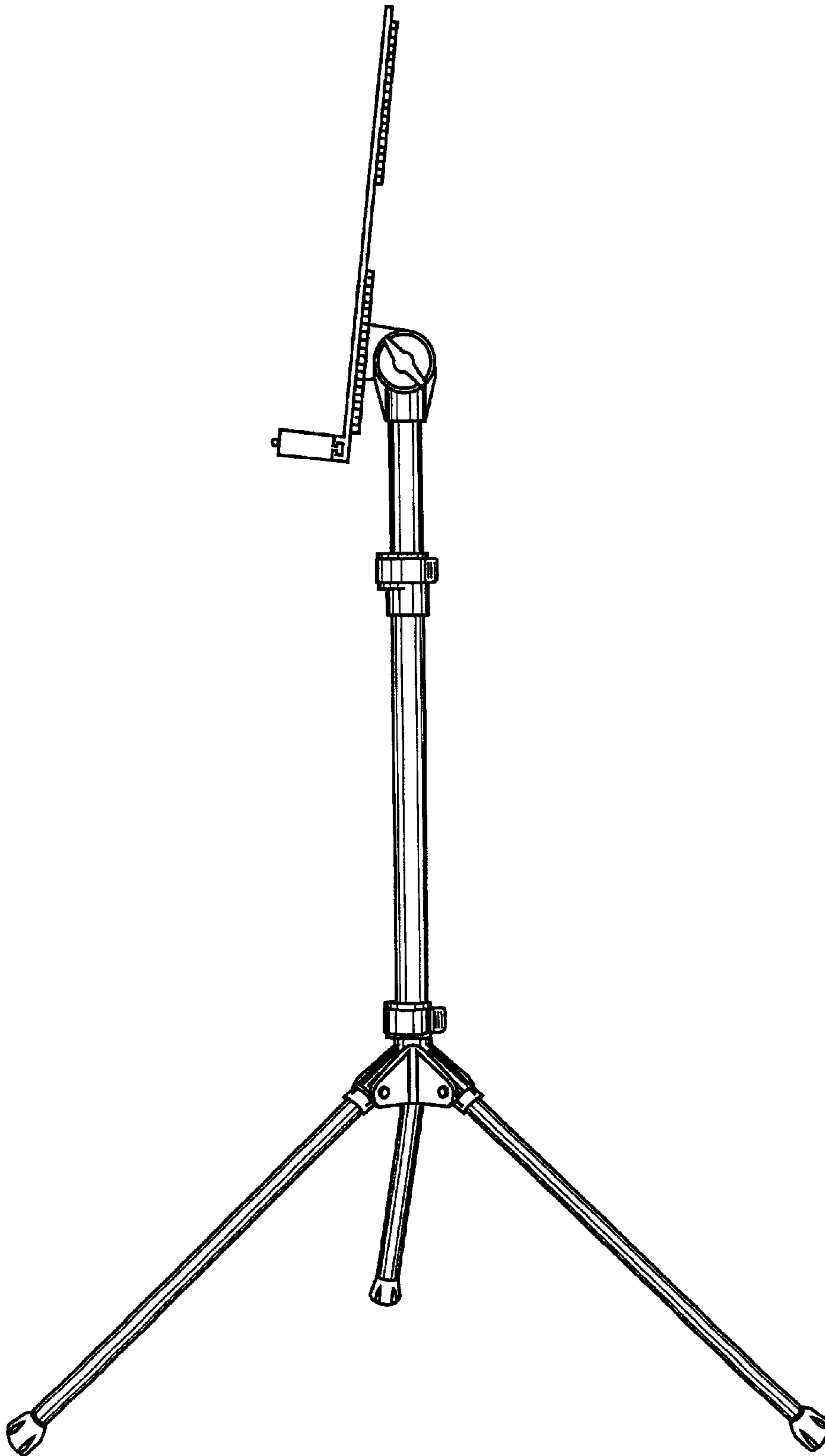


FIG. 3

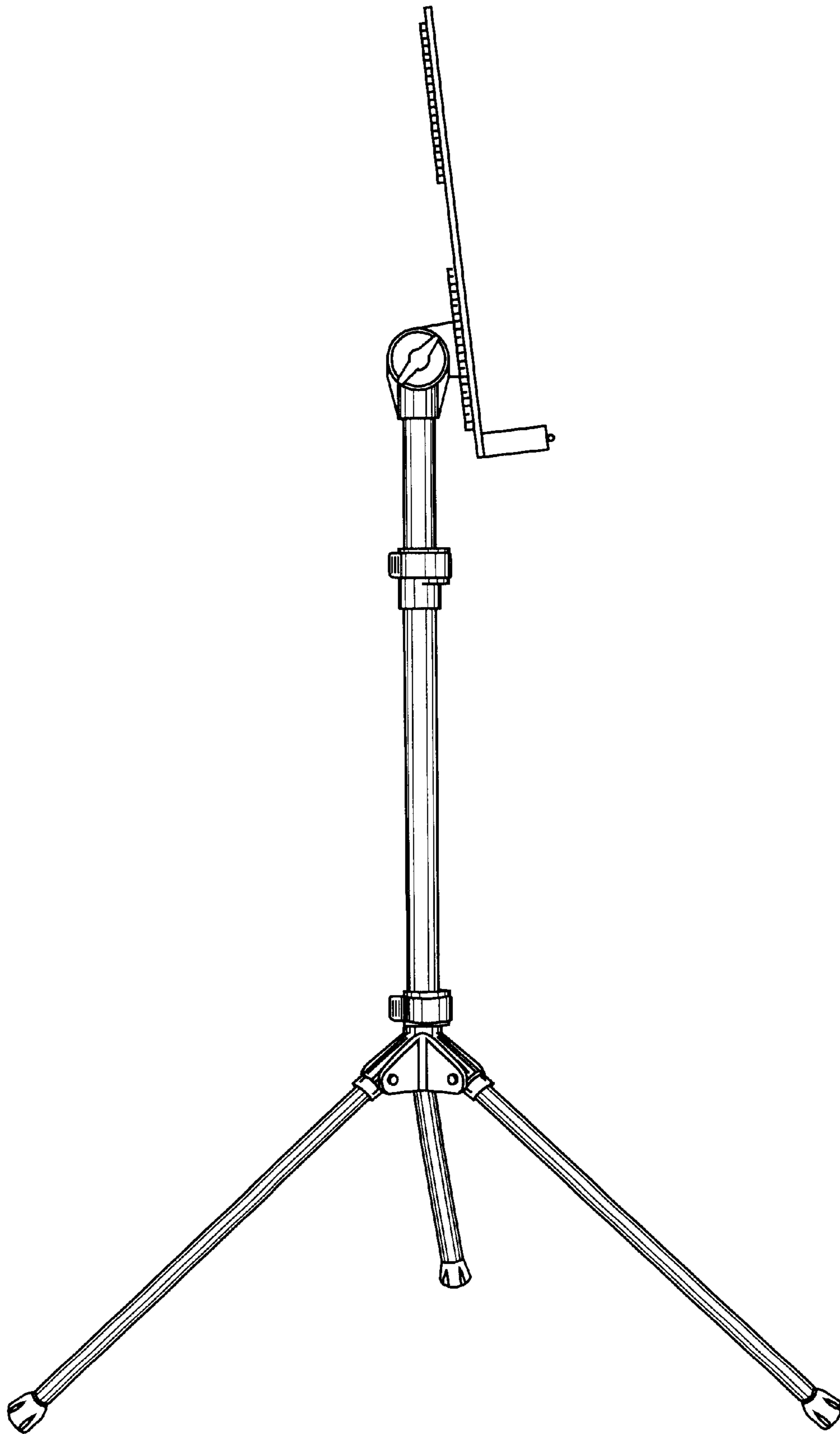


FIGURE 4

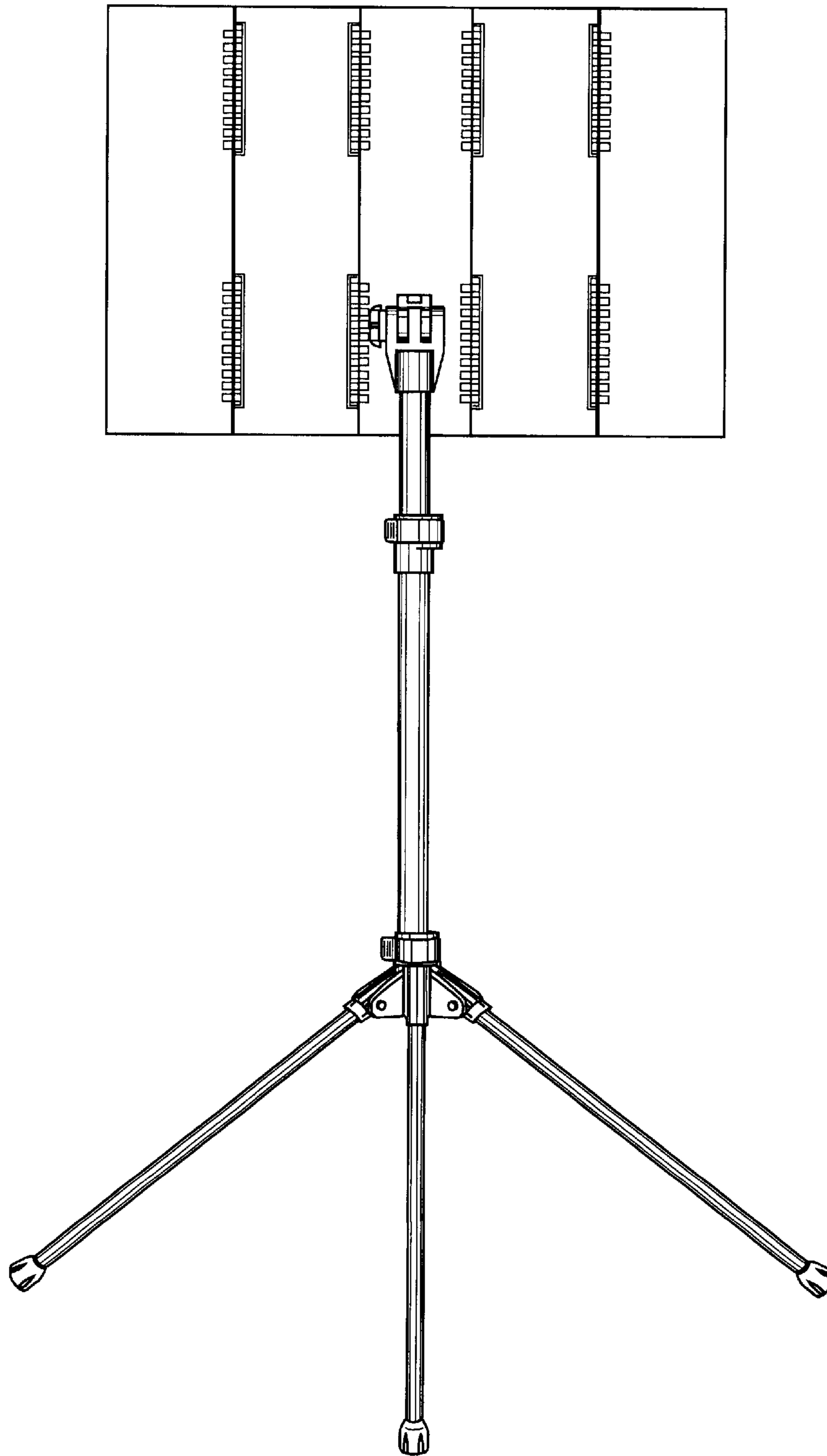


FIGURE 5

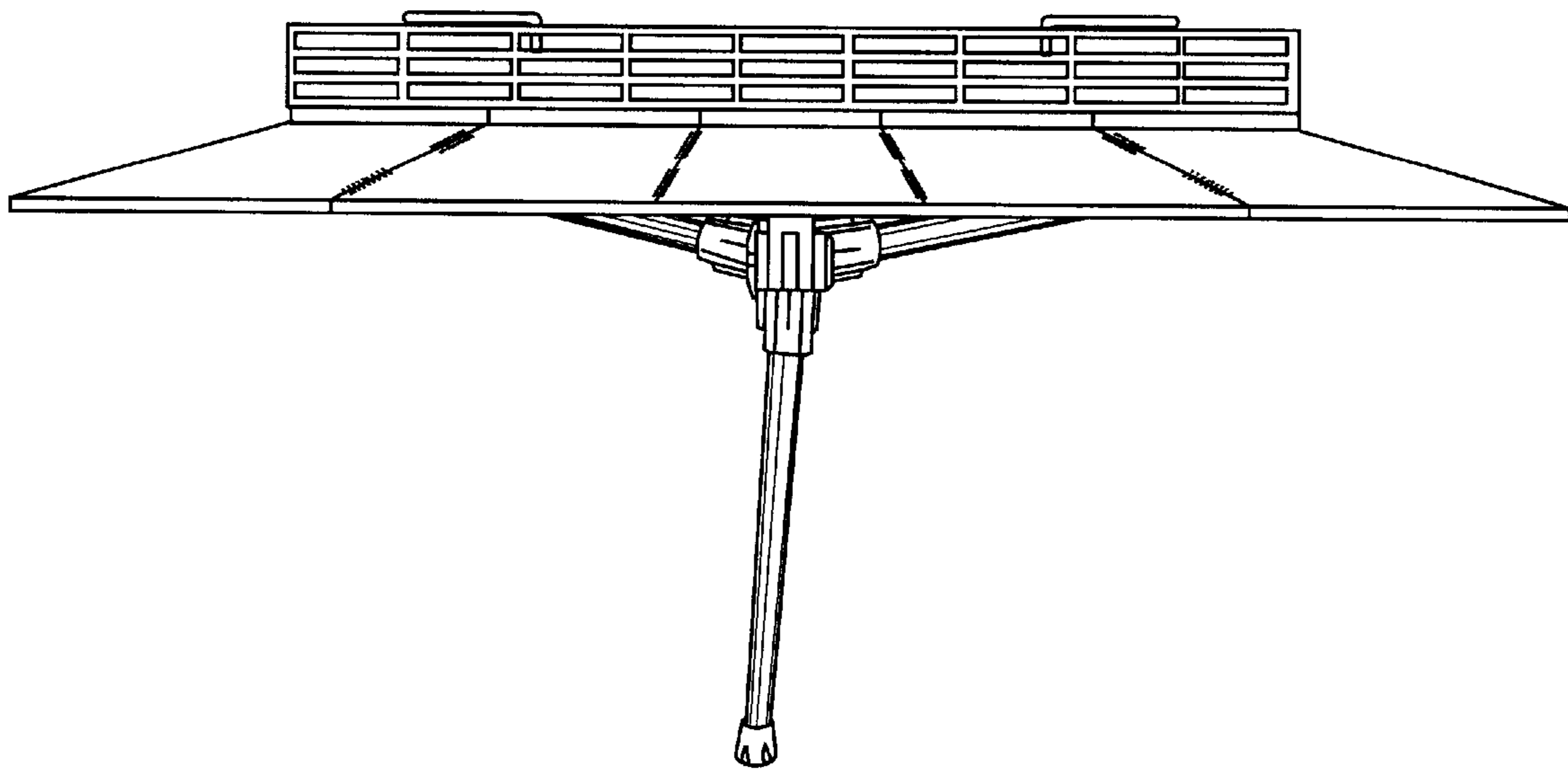


FIGURE 6

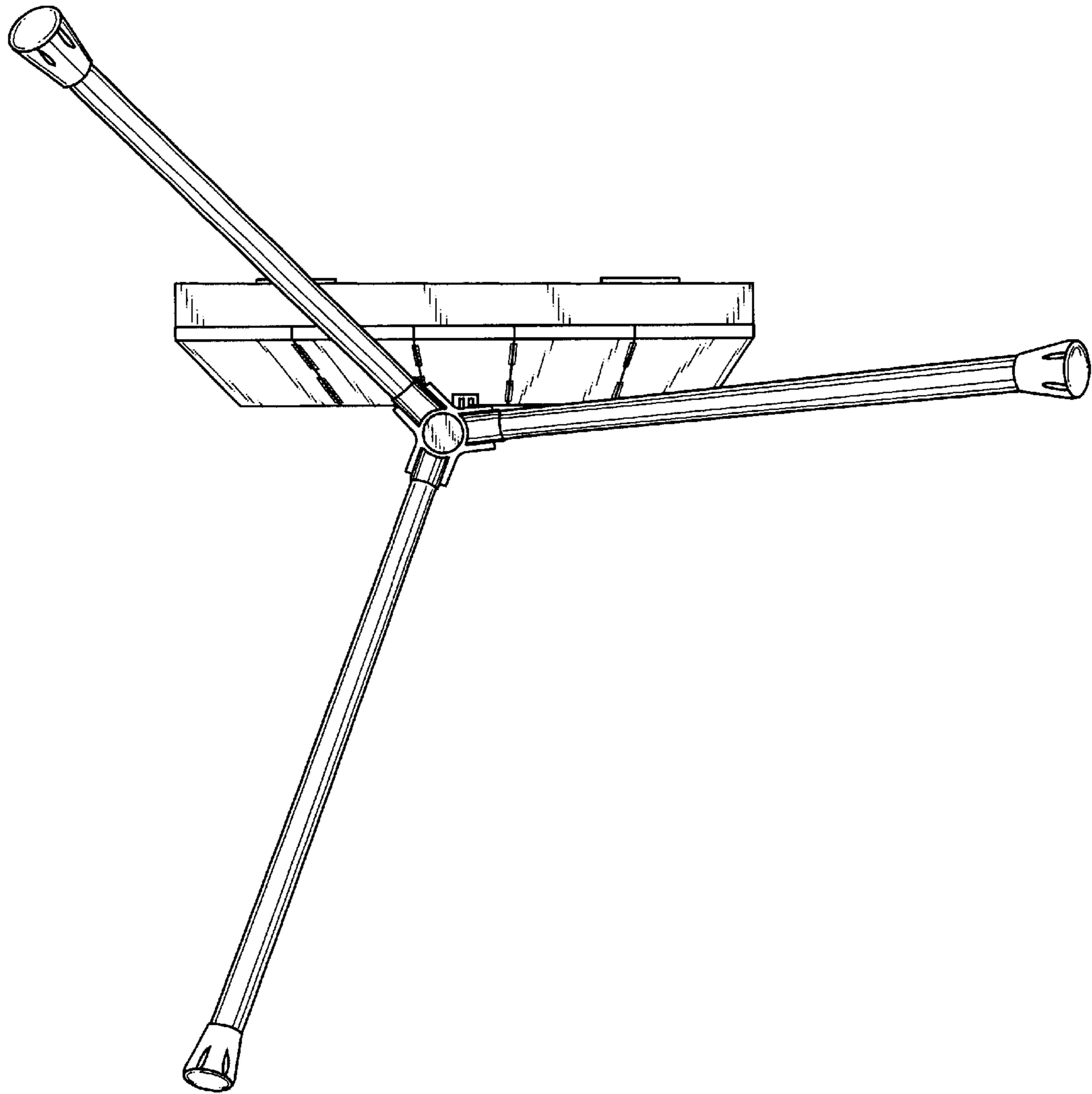


FIGURE 7