



US00D540562S

(12) **United States Design Patent**
Muller

(10) **Patent No.:** **US D540,562 S**

(45) **Date of Patent:** **** Apr. 17, 2007**

(54) **SEAT**

(75) **Inventor:** **Carl A. Muller**, Huntington Beach, CA (US)

(73) **Assignee:** **Elite Manufacturing Corporation**, Santa Fe Springs, CA (US)

(**) **Term:** **14 Years**

(21) **Appl. No.:** **29/236,495**

(22) **Filed:** **Aug. 17, 2005**

(51) **LOC (8) Cl.** **06-01**

(52) **U.S. Cl.** **D6/381**

(58) **Field of Classification Search** D6/334,
D6/335, 337, 357, 361, 364, 367, 371, 378,
D6/381, 382, 383, 393, 500-503; 297/62-63,
297/38, 118, 232-233, 244-245, 311, 445.1,
297/446.1; 5/12.1, 28, 42

See application file for complete search history.

(56) **References Cited**

U.S. PATENT DOCUMENTS

D93,967 S	*	12/1934	Brower	D6/379
2,580,707 A	*	1/1952	Underhill	297/445.1
2,651,355 A	*	9/1953	Lueas	297/446.1
2,709,485 A	*	5/1955	Haven	297/446.1
D183,768 S	*	10/1958	Robinson	D6/379
D297,890 S	*	10/1988	Hockenberry et al.	D6/367

D333,733 S	*	3/1993	Sammons	D6/334
D394,757 S	*	6/1998	Diramarian	D6/380
D437,138 S	*	2/2001	Ricchio, Jr.	D6/379
D466,712 S	*	12/2002	Haney et al.	D6/373
D468,922 S	*	1/2003	de Blois	D6/374
D472,745 S	*	4/2003	Haney et al.	D6/502
D502,019 S	*	2/2005	Kaiser	D6/381
D508,339 S	*	8/2005	Astle	D6/374

* cited by examiner

Primary Examiner—Sandra Snapp

(74) *Attorney, Agent, or Firm*—Heslin Rothenberg Farley & Mesiti P.C.

(57) **CLAIM**

The ornamental design for a seat, as shown and described.

DESCRIPTION

FIG. 1 is a perspective view of a seat in accordance with the new design;

FIG. 2 is a front elevational view thereof;

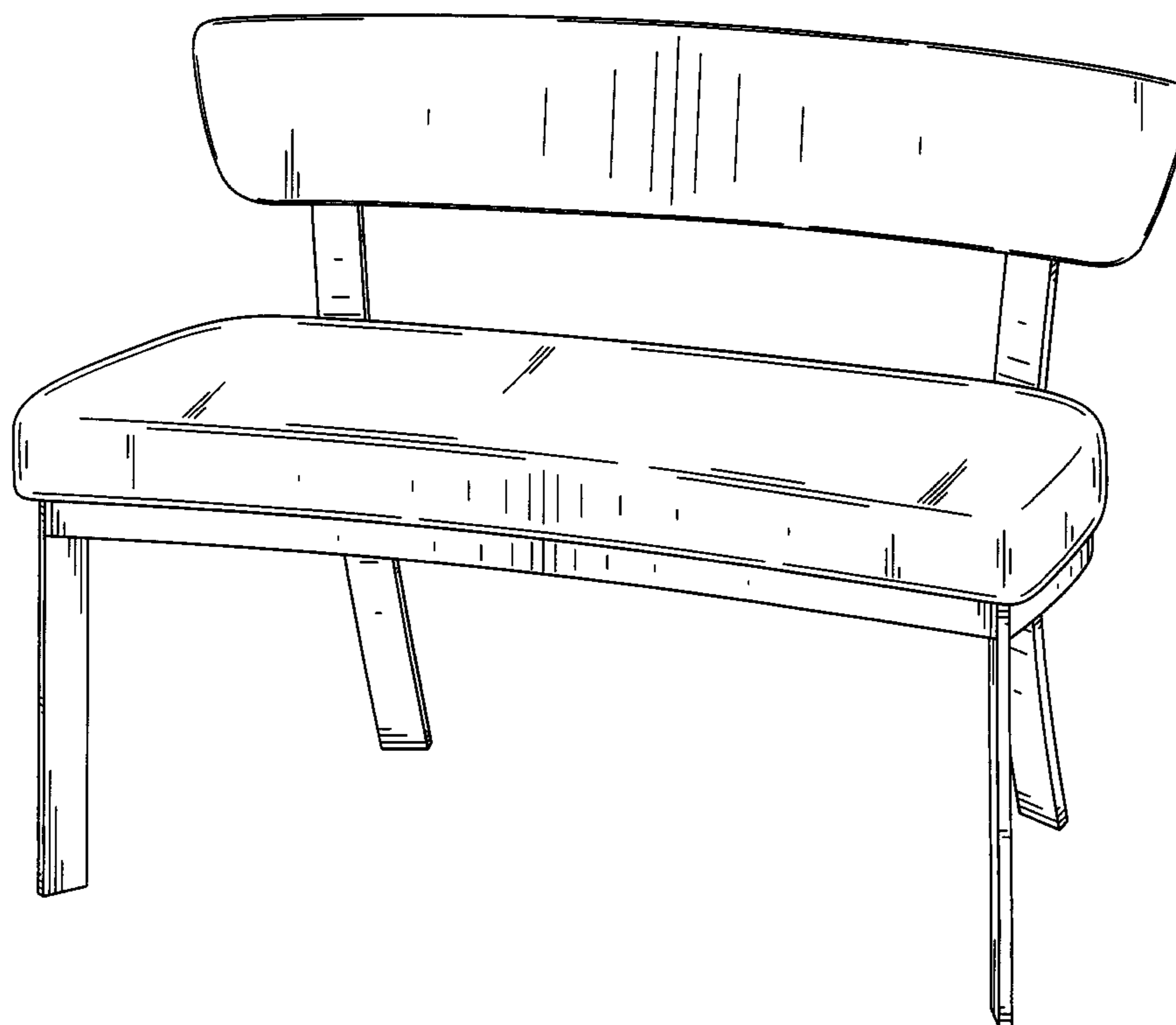
FIG. 3 is a right side elevational view thereof, a left side elevational view being a mirror image thereof; and

FIG. 4 is a rear elevational view thereof;

FIG. 5 is a top view thereof; and,

FIG. 6 is a perspective view of a second embodiment of the seat, portions of which are cut away to illustrate indeterminate length which is the sole difference between it and FIGS. 1 through 5.

1 Claim, 6 Drawing Sheets



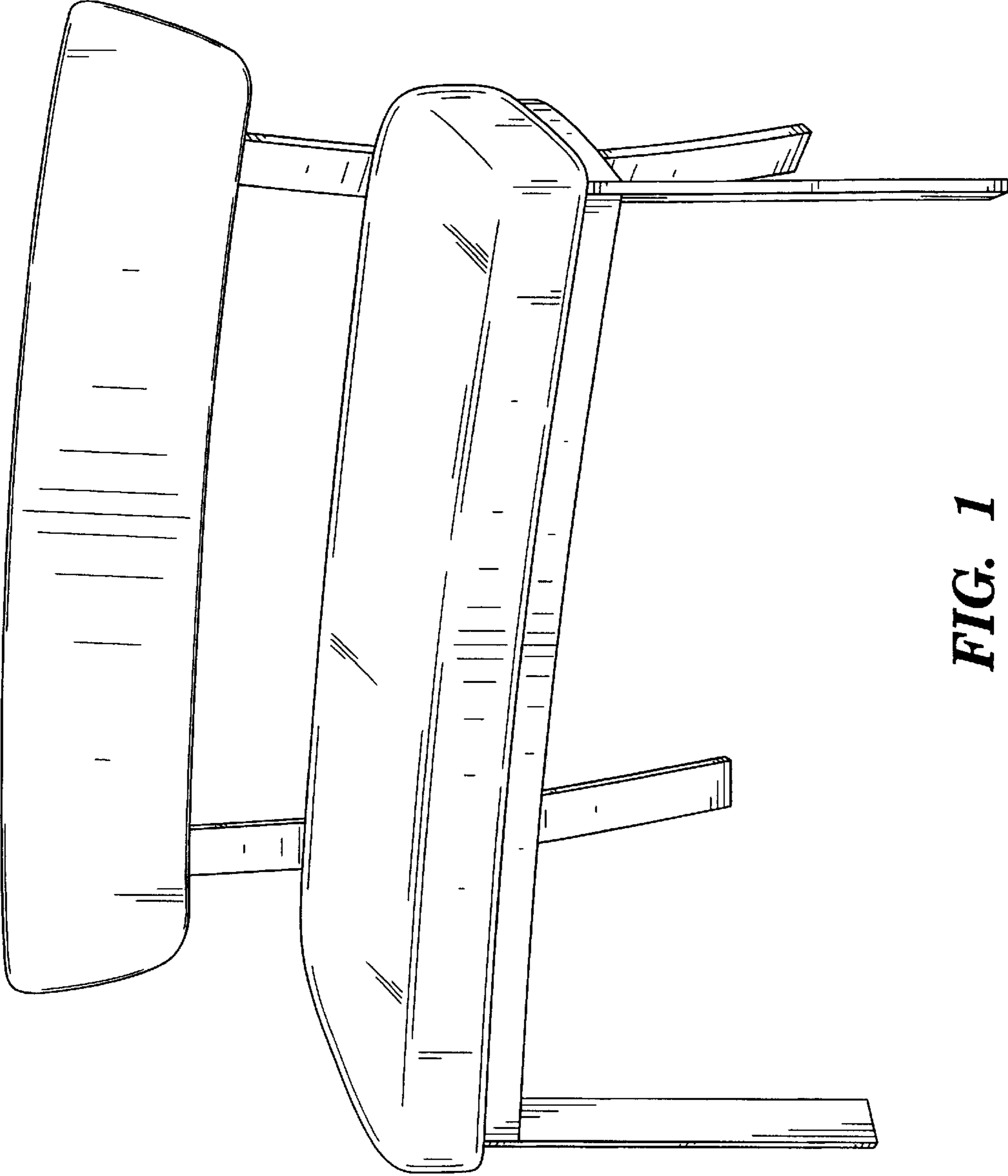


FIG. 1

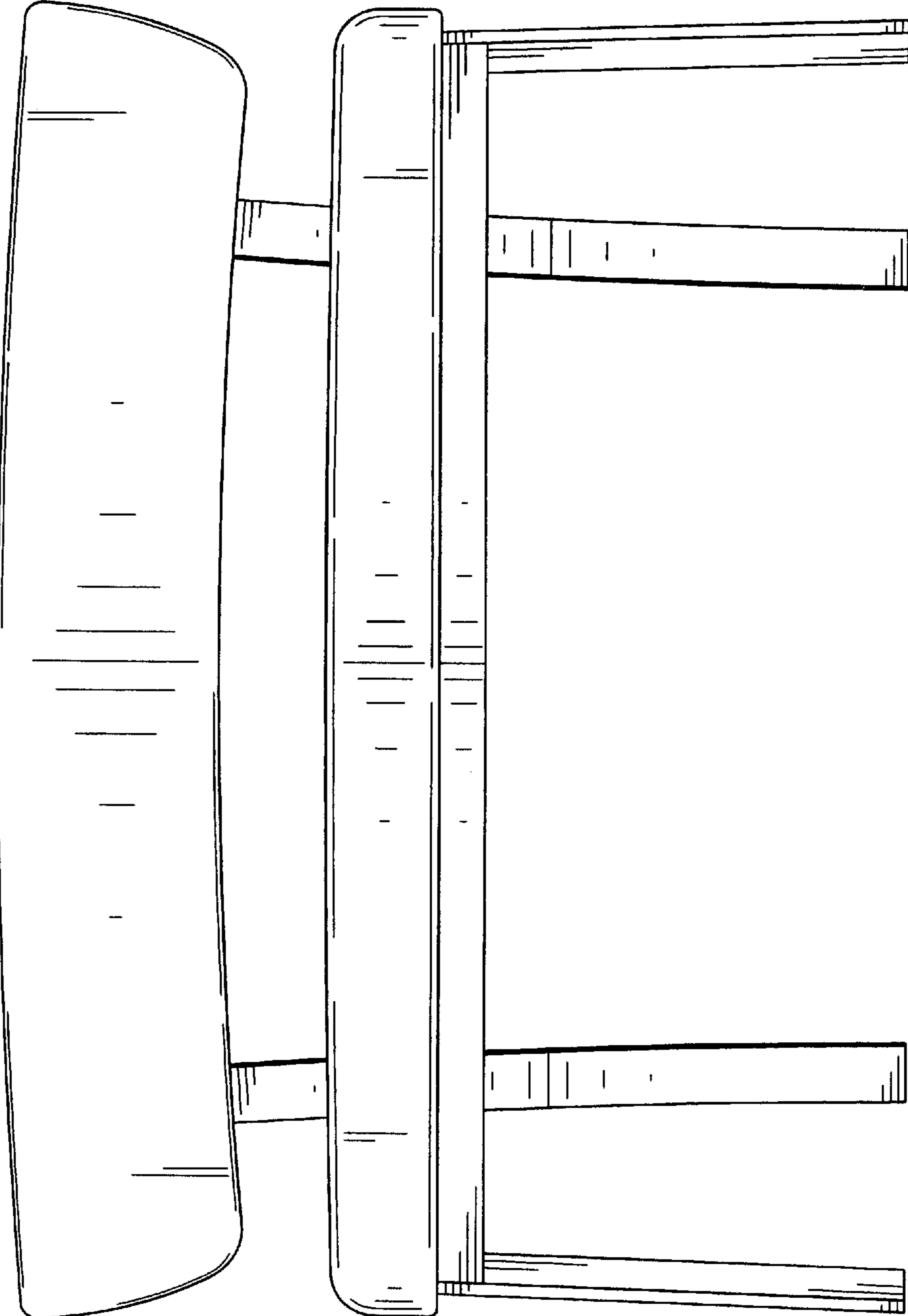


FIG. 2

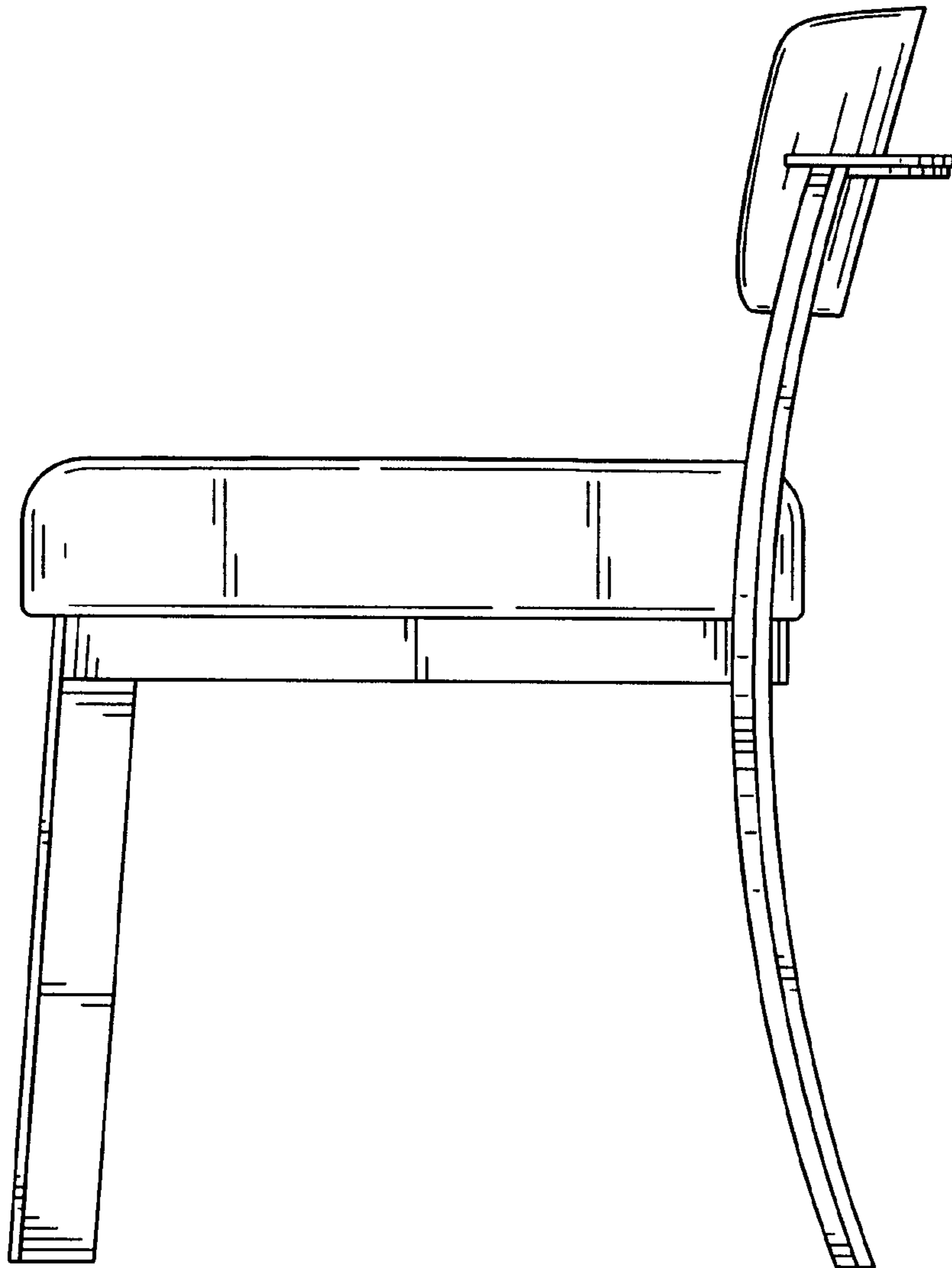


FIG. 3

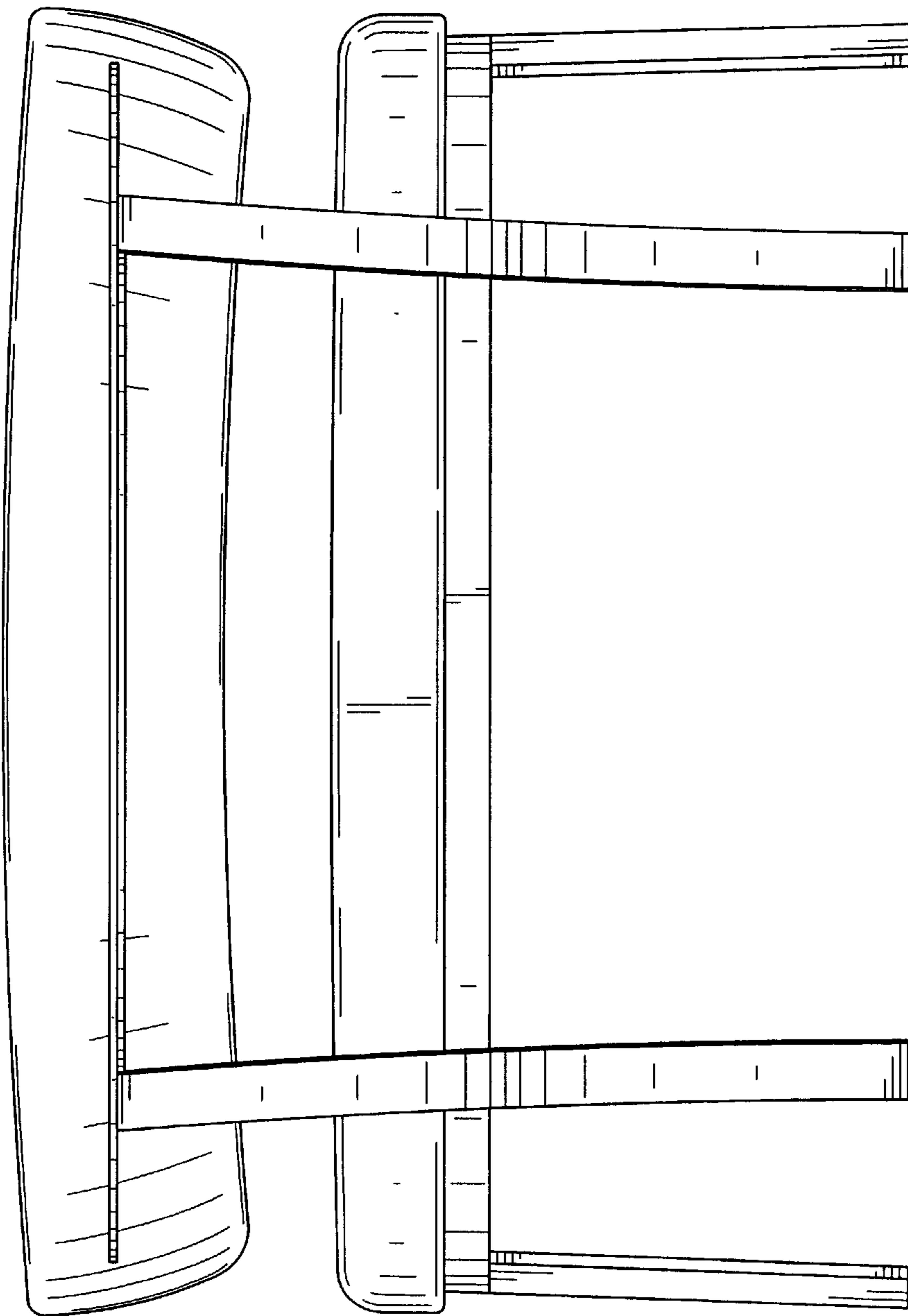


FIG. 4

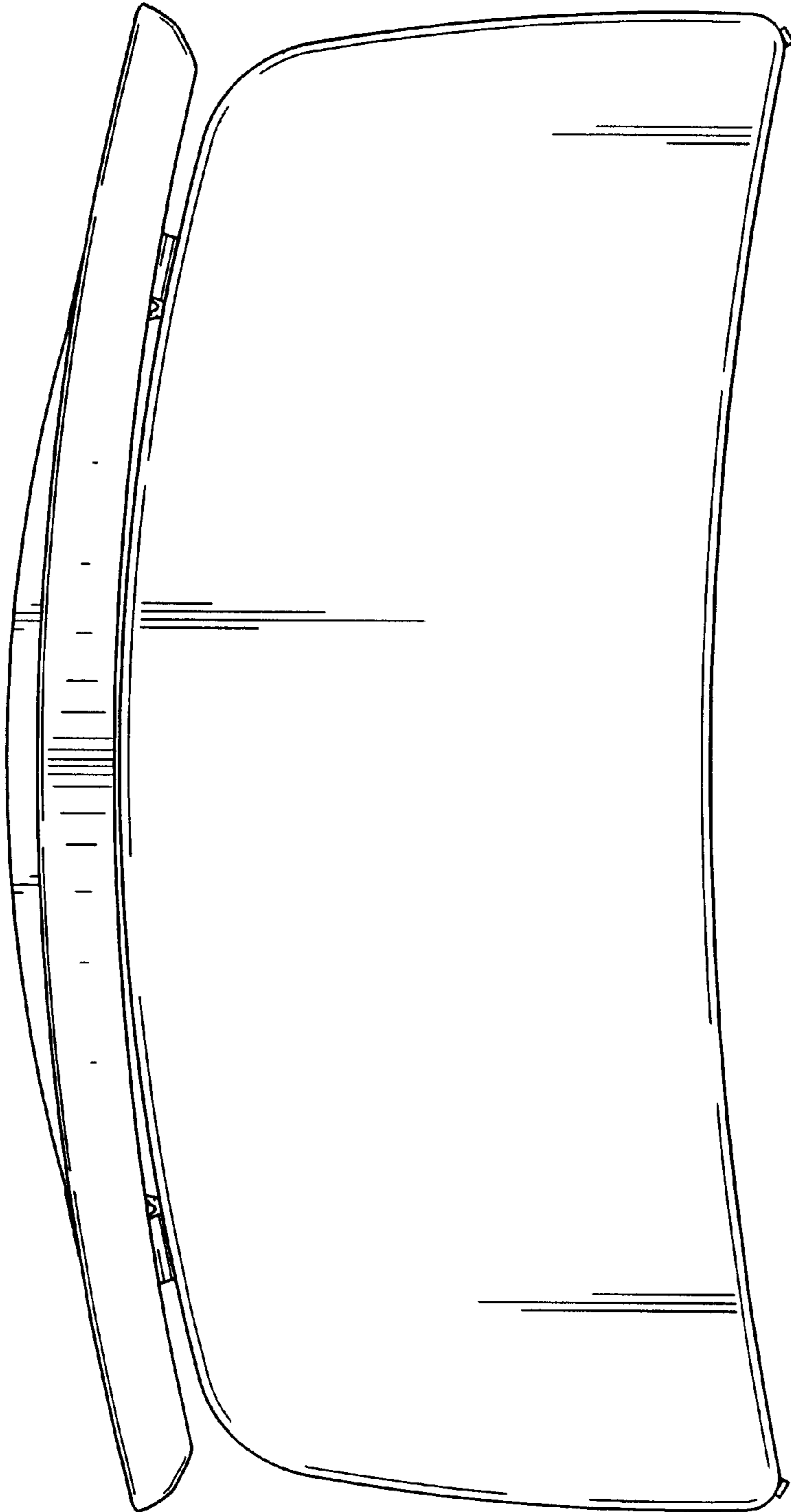


FIG. 5

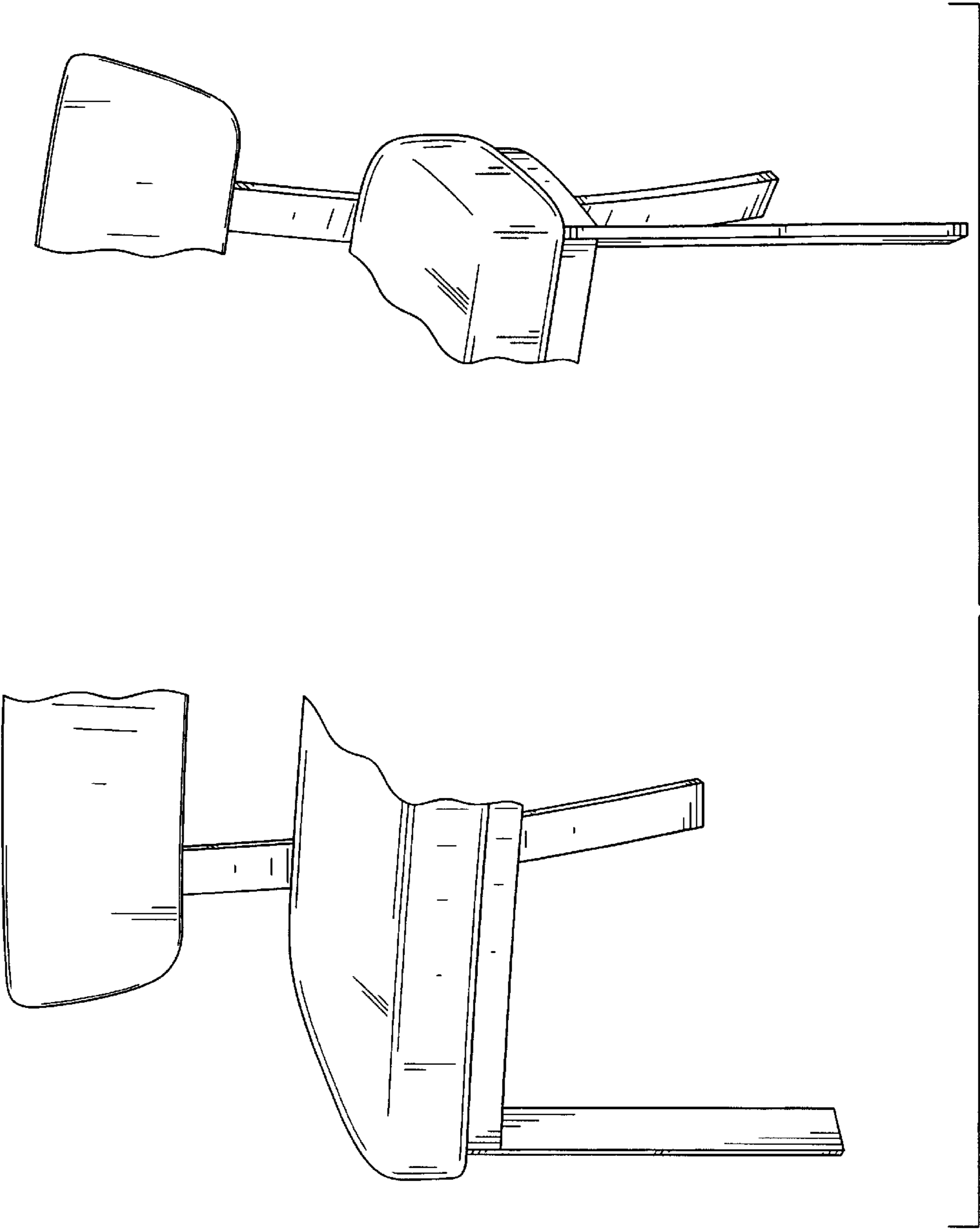


FIG. 6