

US00D540559S

(12) **United States Design Patent**
Neil

(10) **Patent No.:** **US D540,559 S**

(45) **Date of Patent:** **** Apr. 17, 2007**

(54) **CHAIR**

(75) Inventor: **Gary Neil**, Mississauga (CA)

(73) Assignee: **Allseating Corporation**, Mississauga,
Ontario (CA)

(**) Term: **14 Years**

(21) Appl. No.: **29/255,572**

(22) Filed: **Mar. 10, 2006**

(51) **LOC (8) Cl.** **06-01**

(52) **U.S. Cl.** **D6/379; D6/376**

(58) **Field of Classification Search** D6/334-336,
D6/369, 370-373, 374, 376, 379, 380, 500-502;
297/239, 452.29, 445.1, 446.1

See application file for complete search history.

(56) **References Cited**

U.S. PATENT DOCUMENTS

D312,005 S	*	11/1990	Snodgrass	D6/379
D328,531 S	*	8/1992	Citterio	D6/372
D355,081 S	*	2/1995	Scheper	D6/374
D385,425 S	*	10/1997	Goetz	D6/374
D446,037 S	*	8/2001	Koepke et al.	D6/379
D464,209 S	*	10/2002	Piretti	D6/380

D470,322 S	*	2/2003	Tsai	D6/379
D477,471 S	*	7/2003	Brooks	D6/379
D513,134 S	*	12/2005	Asano et al.	D6/380
D513,670 S	*	1/2006	Yamagata	D6/380
D520,256 S	*	5/2006	King	D6/374
D524,071 S	*	7/2006	Brooks	D6/379
D525,447 S	*	7/2006	Bongaerts	D6/376

* cited by examiner

Primary Examiner—Mimosa De

(74) *Attorney, Agent, or Firm*—Miller Thomson LLP

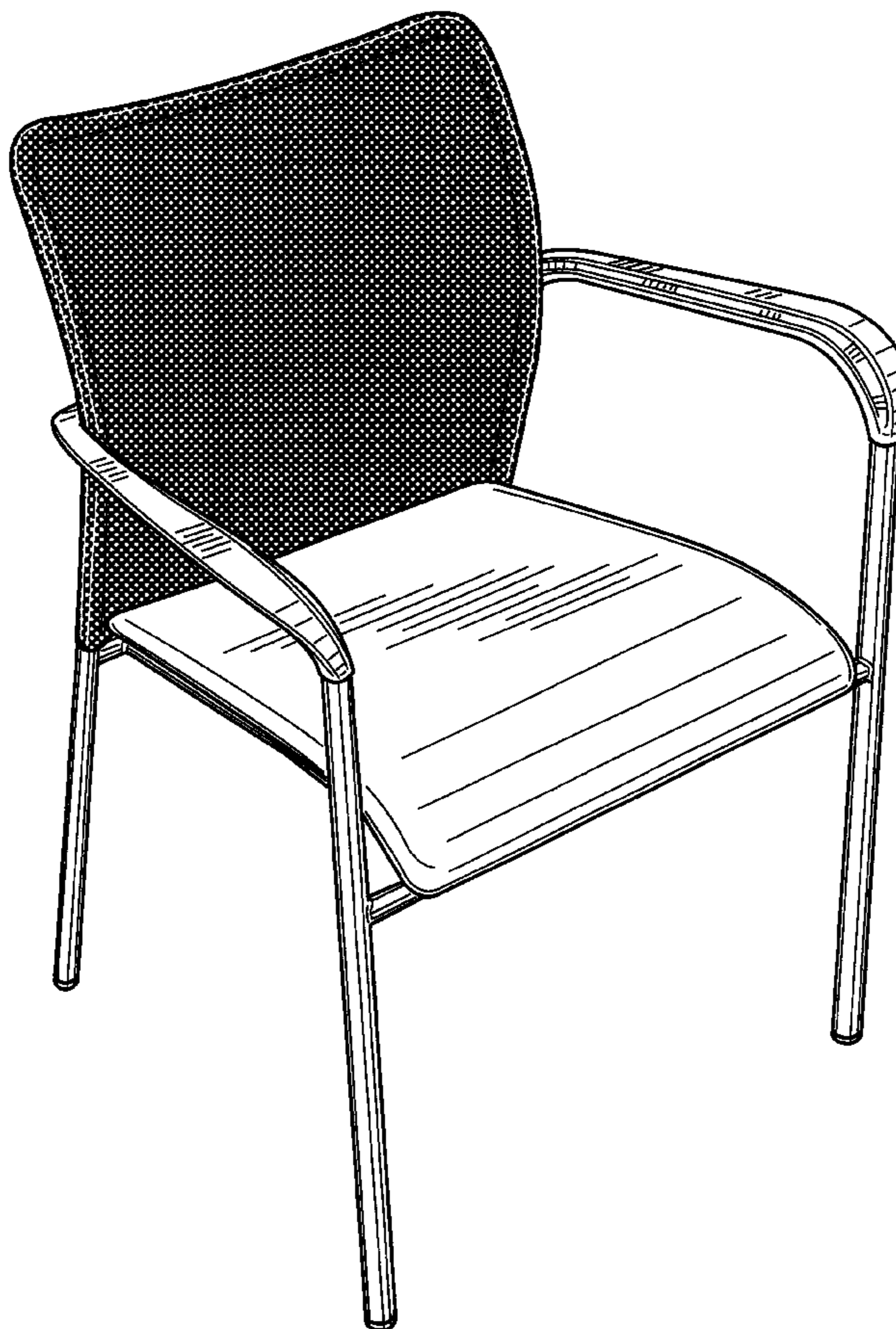
(57) **CLAIM**

The ornamental design for the “chair,” as shown and described.

DESCRIPTION

- FIG. 1 is a front perspective view of the chair.
- FIG. 2 is a bottom perspective view of the chair.
- FIG. 3 is a right side view of the chair.
- FIG. 4 is a front view of the chair.
- FIG. 5 is a left side view of the chair.
- FIG. 6 is a back view of the chair.
- FIG. 7 is a top plan view of the chair; and,
- FIG. 8 is a bottom plan view of the chair.

1 Claim, 5 Drawing Sheets



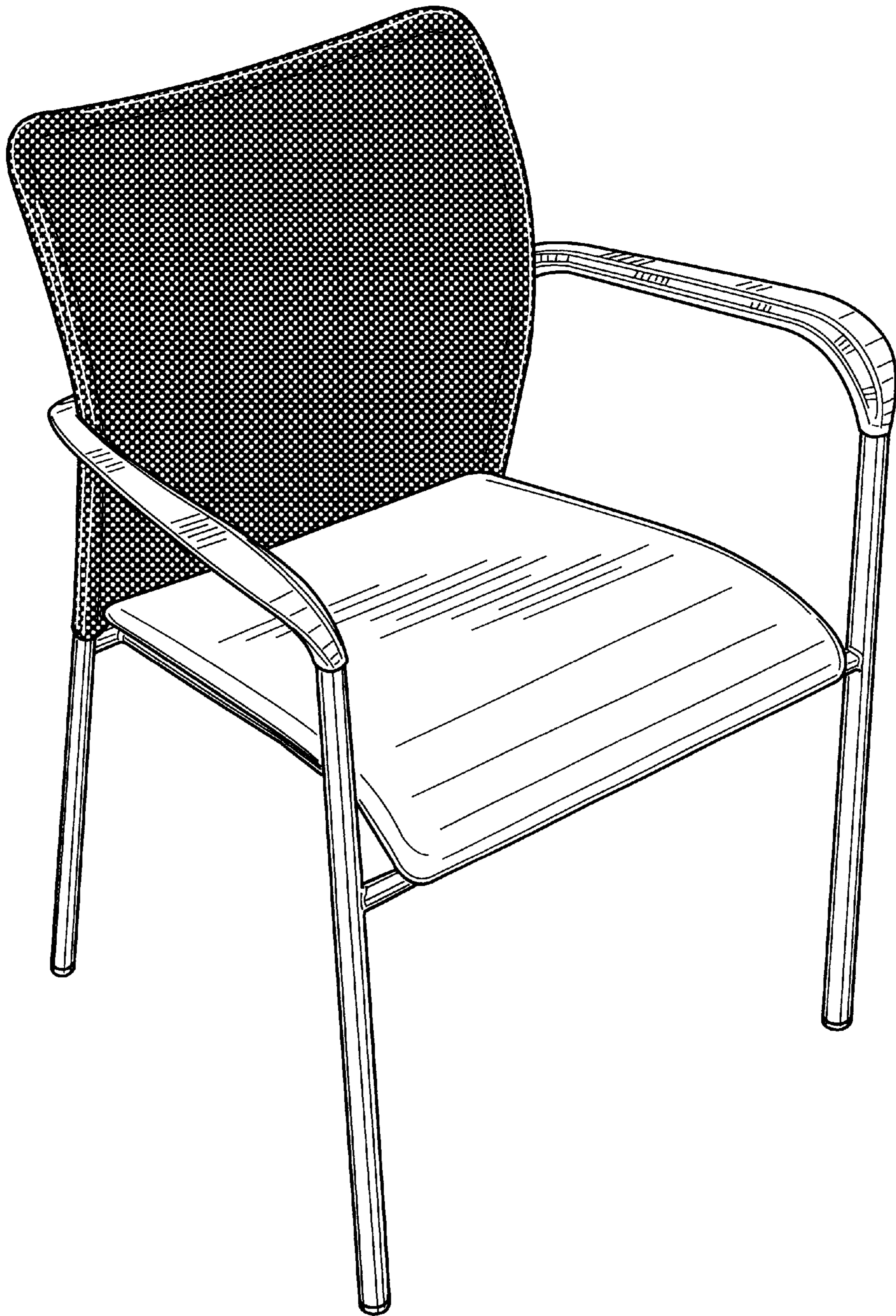


FIG. 1

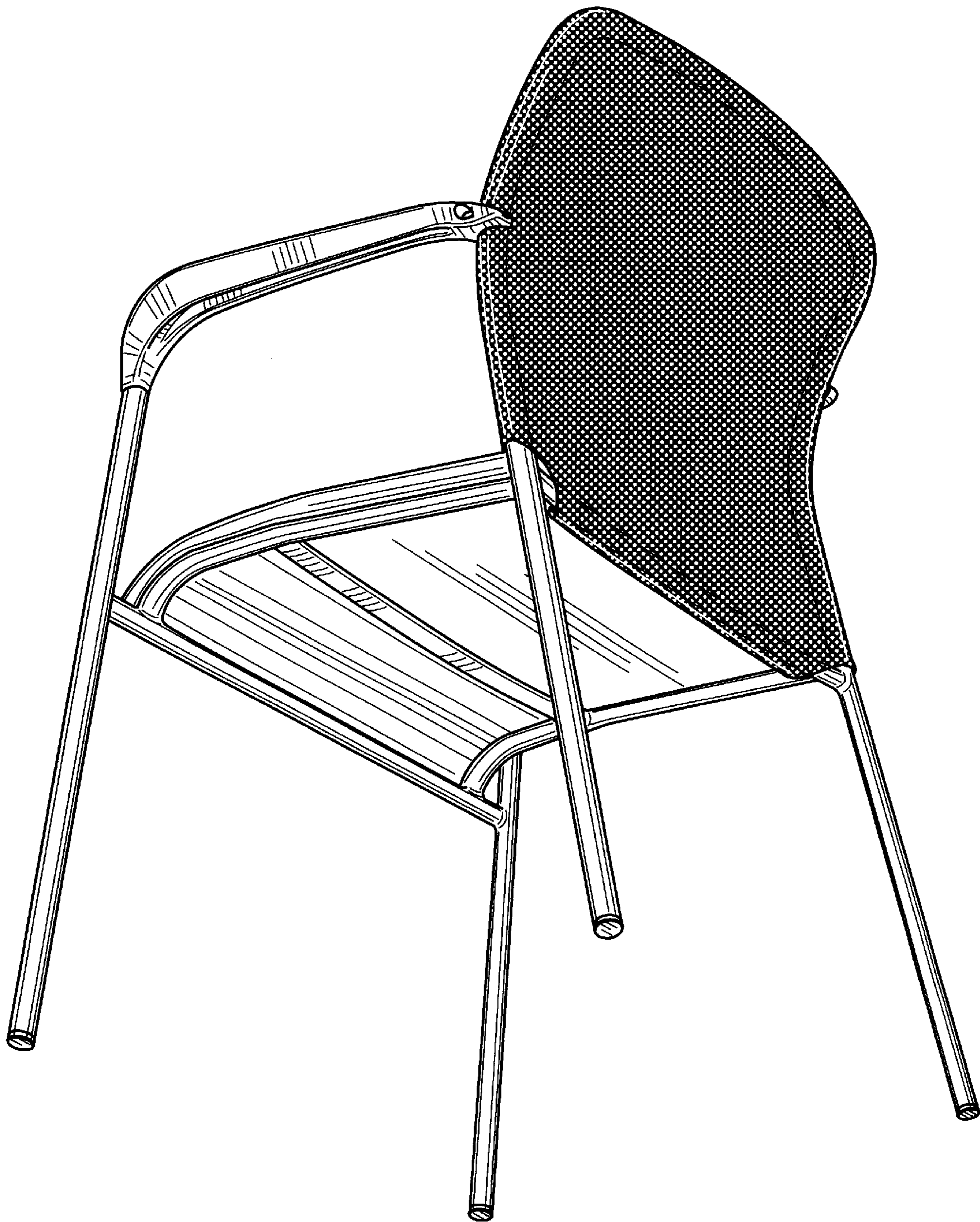


FIG. 2

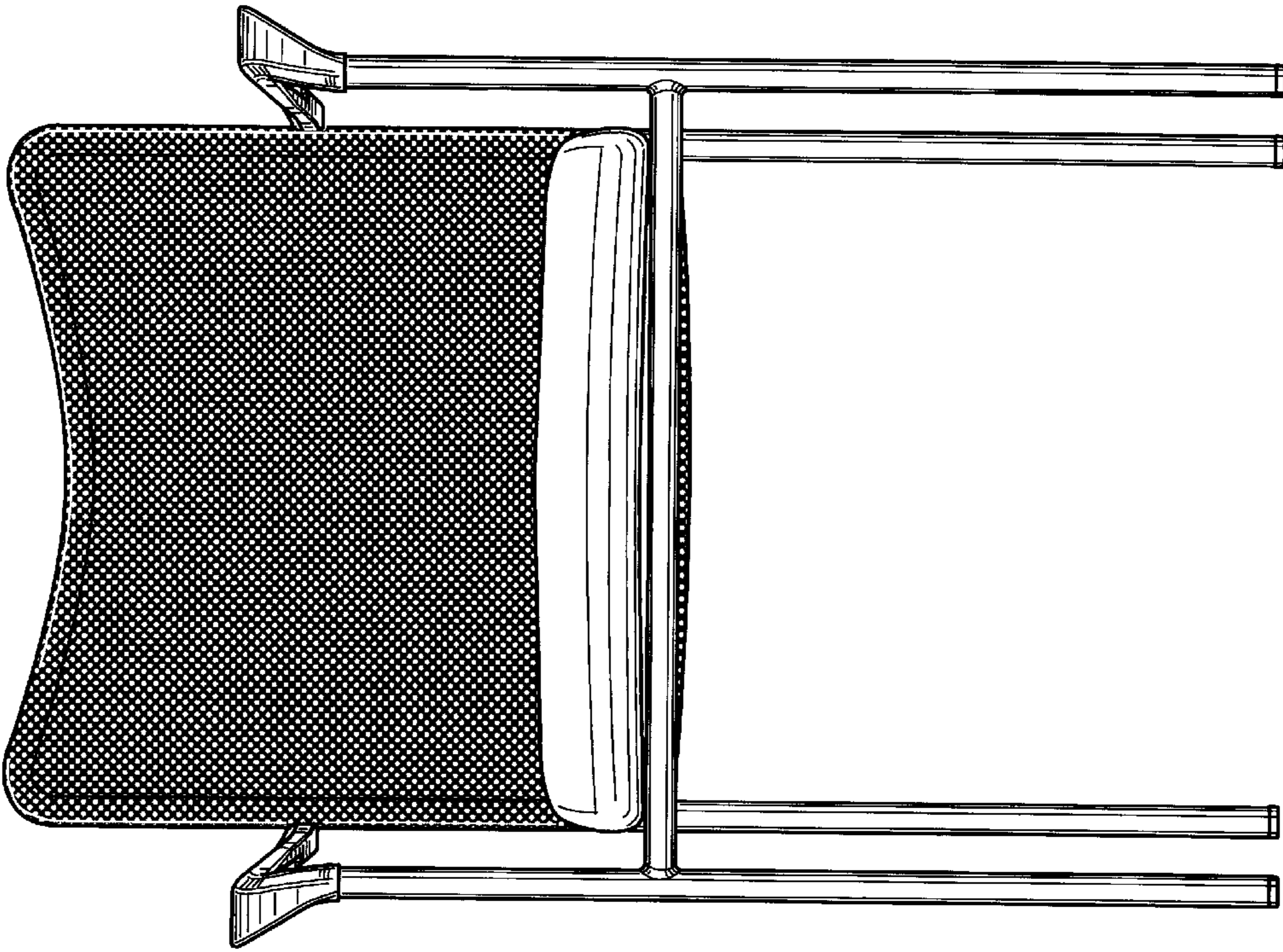


FIG. 4

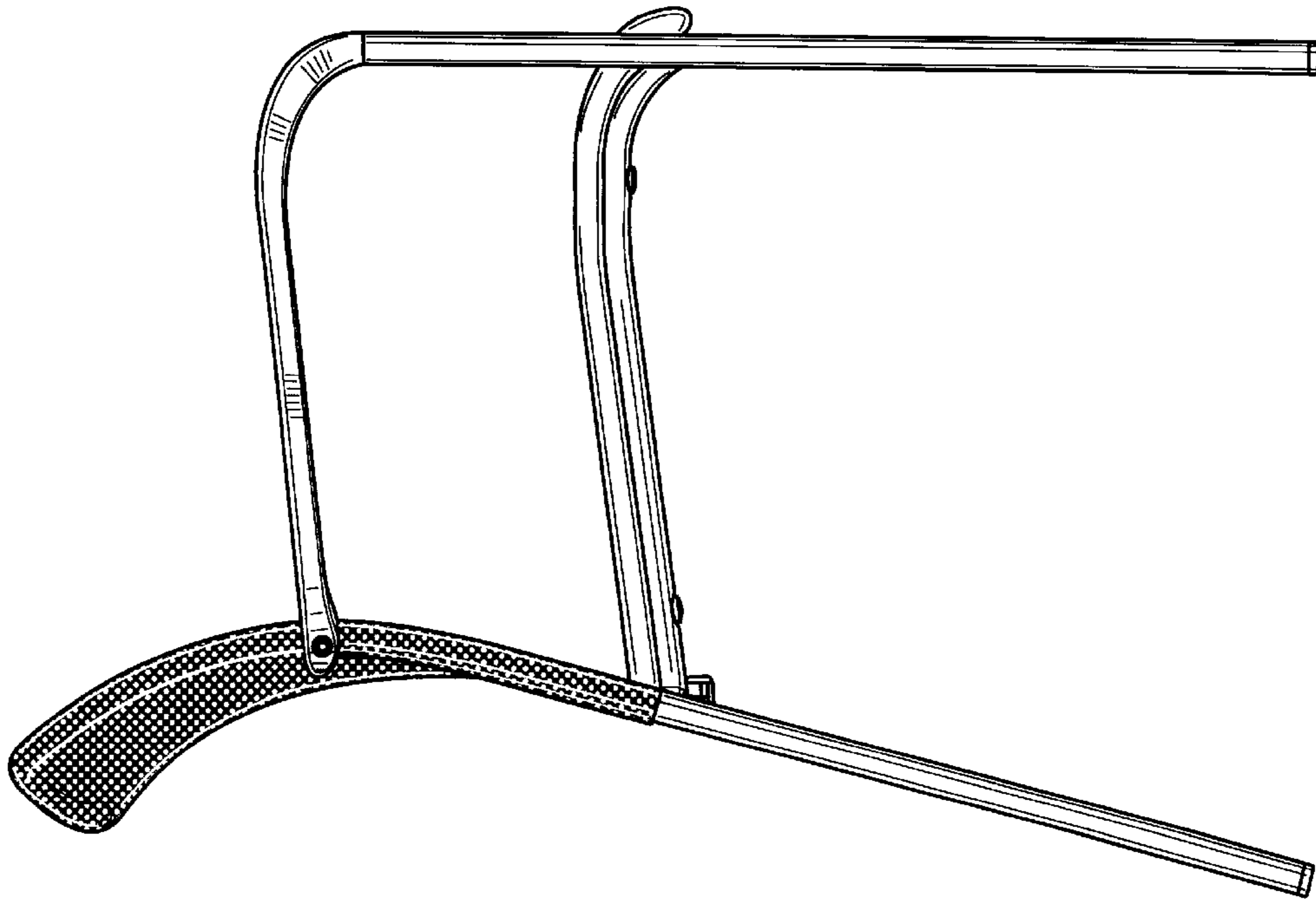


FIG. 3

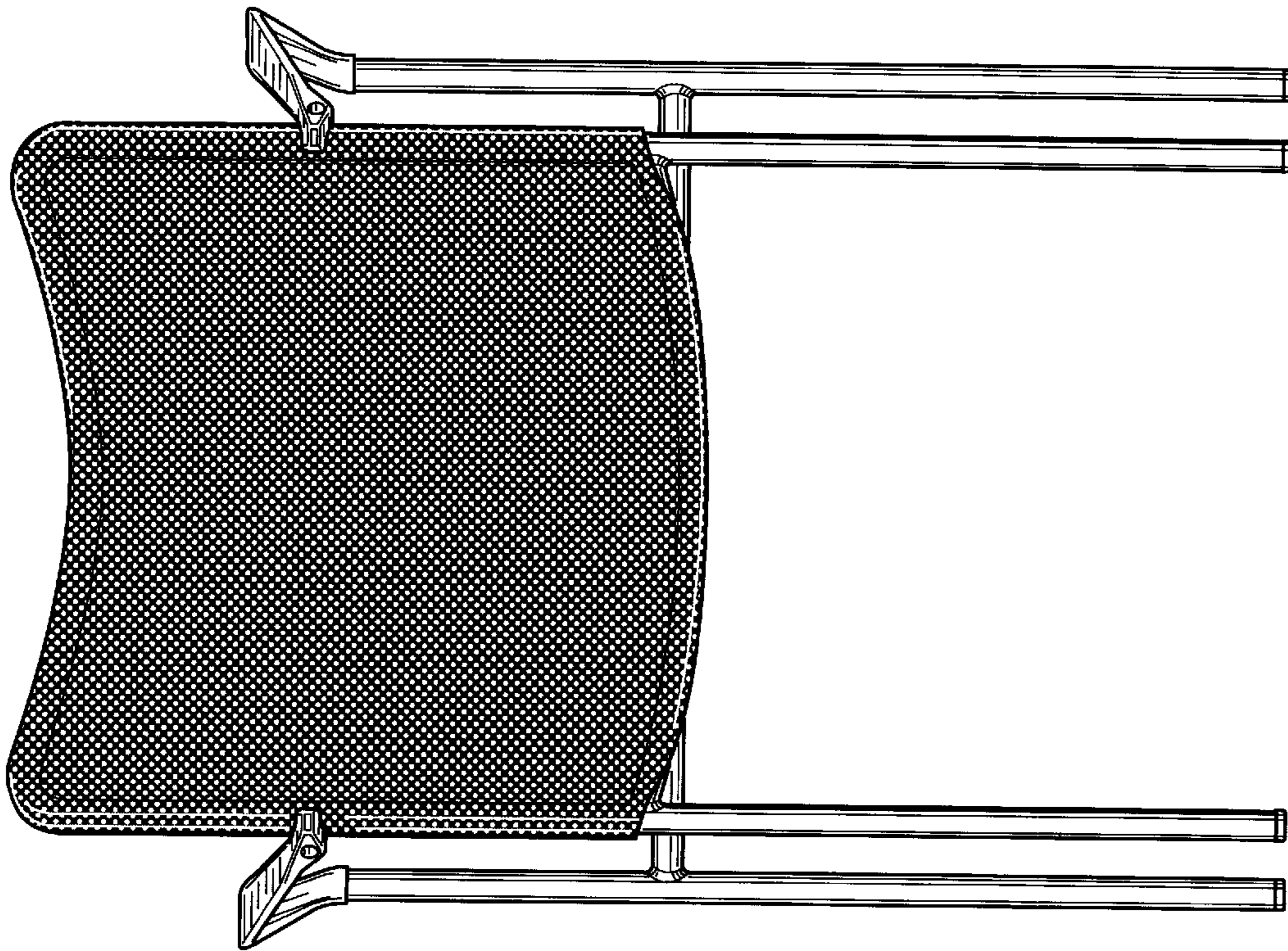


FIG. 6

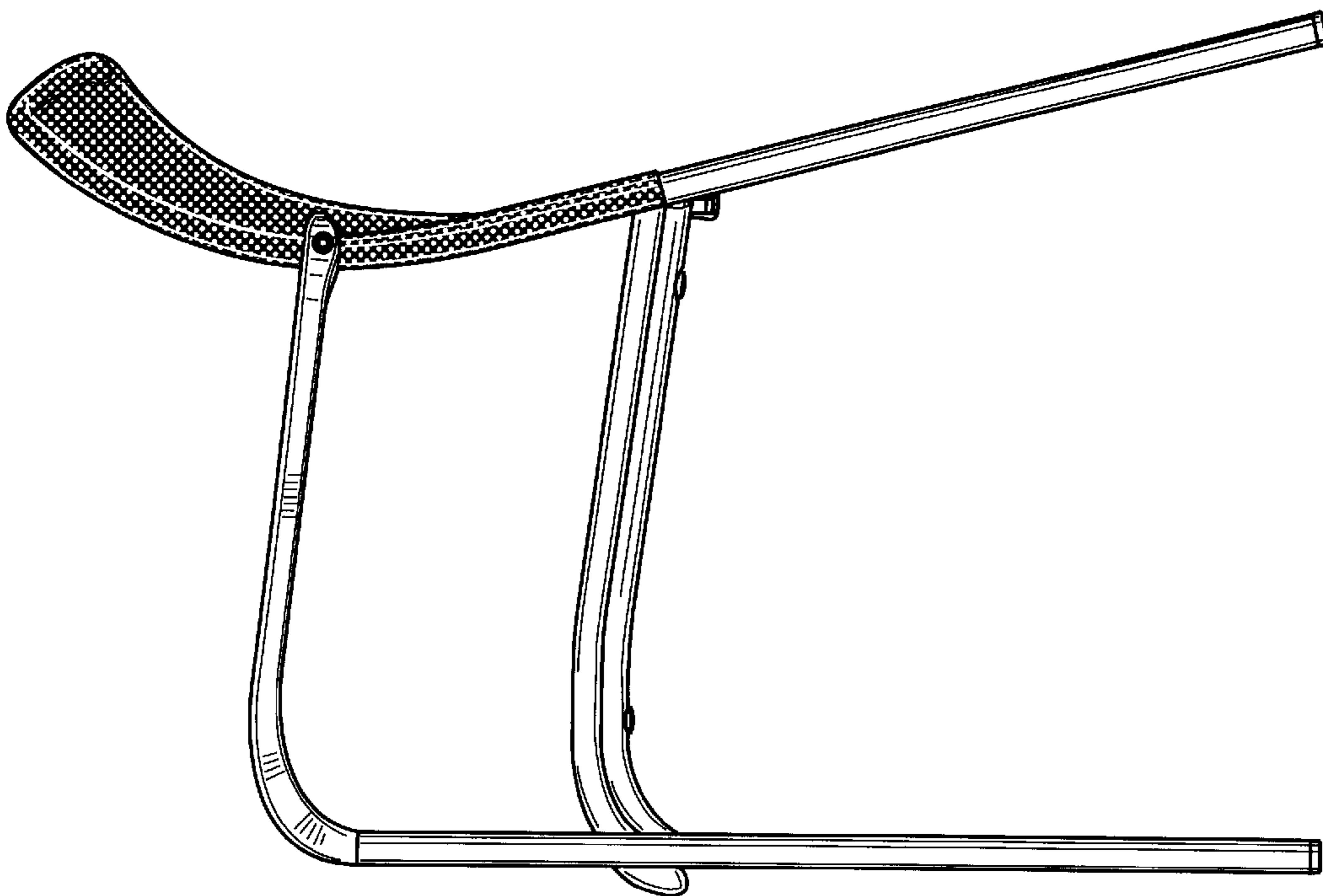


FIG. 5

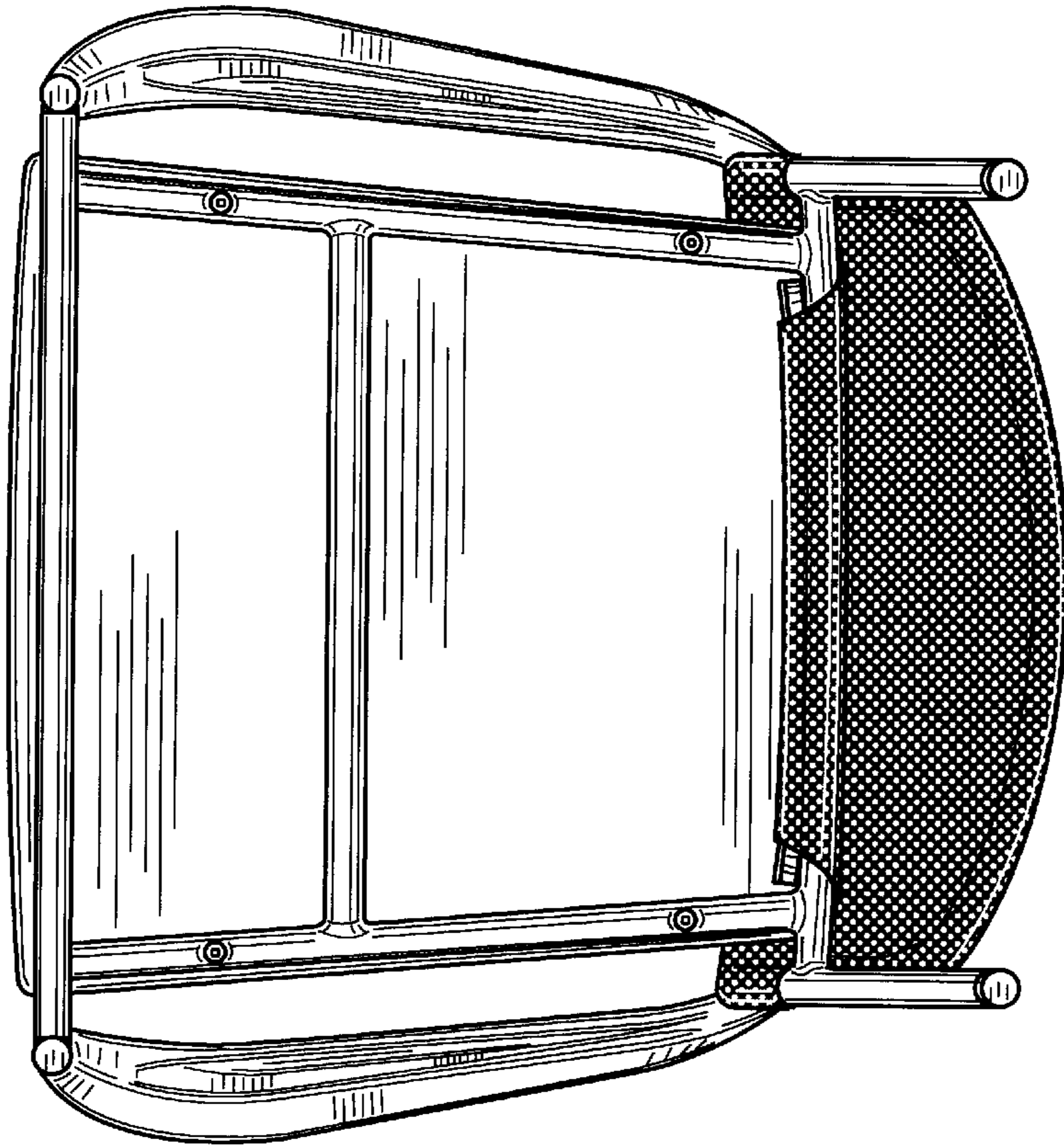


FIG. 8

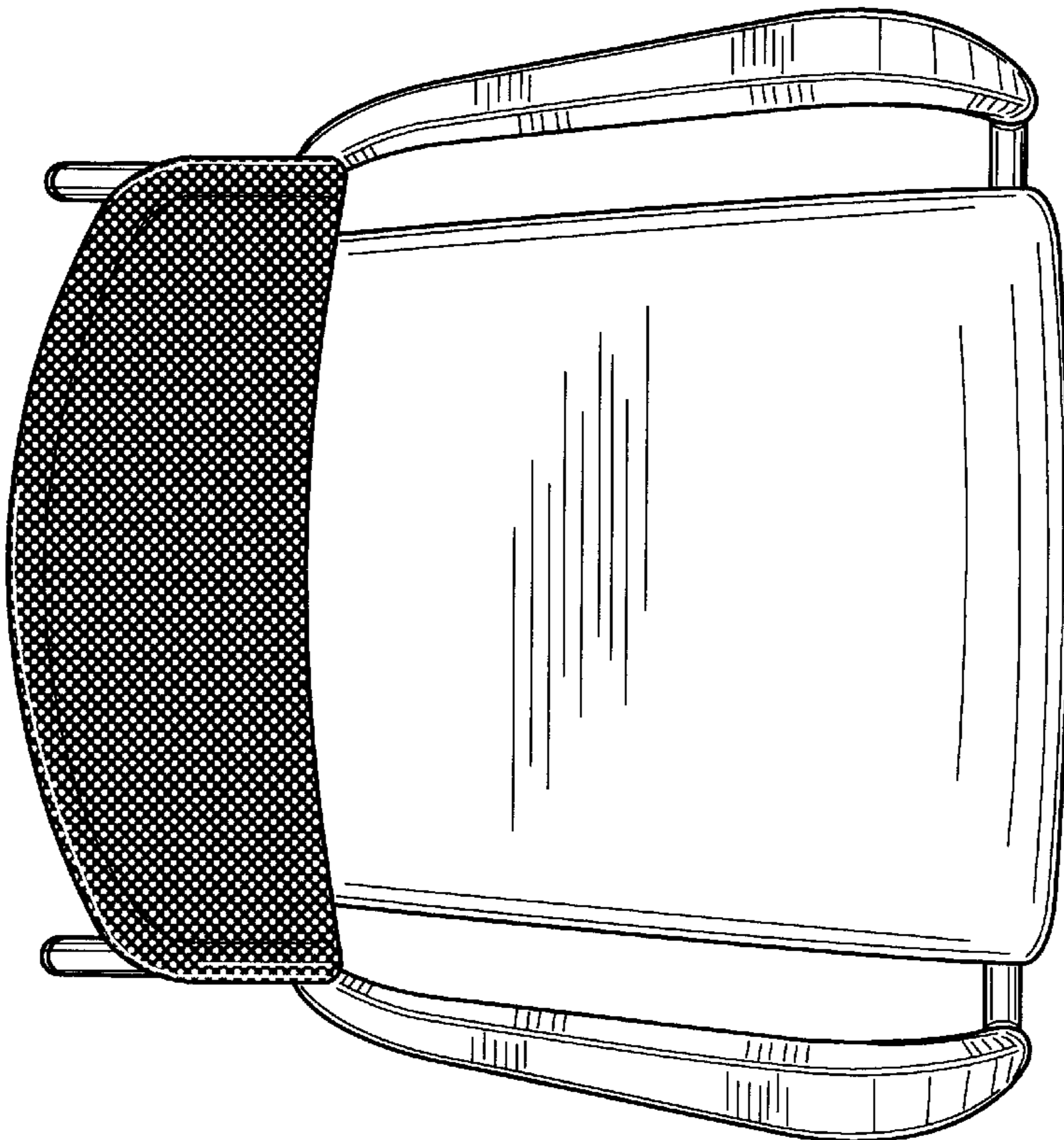


FIG. 7