



US00D540554S

(12) **United States Design Patent**
Yang

(10) **Patent No.:** **US D540,554 S**

(45) **Date of Patent:** **** Apr. 17, 2007**

(54) **CHAIR**

(75) Inventor: **Johnny Yang**, Apia (WS)

(73) Assignee: **Wonderful Year Co., Ltd.**, Apia (WS)

(**) Term: **14 Years**

(21) Appl. No.: **29/246,332**

(22) Filed: **Mar. 31, 2006**

(51) **LOC (8) Cl.** **06-01**

(52) **U.S. Cl.** **D6/366**

(58) **Field of Classification Search** D6/334-336,
D6/364, 365, 366, 367, 374, 375, 379, 498,
D6/500-502; 297/411.27, 452.16, 452.21,
297/452.24, 452.26, 452.32, 452.48; 248/188.7
See application file for complete search history.

(56) **References Cited**

U.S. PATENT DOCUMENTS

D405,618 S	*	2/1999	Reutepohler et al.	D6/366
D414,950 S	*	10/1999	James	D6/366
D418,316 S	*	1/2000	Vogtherr	D6/366
D445,579 S	*	7/2001	Olson	D6/366
D446,396 S	*	8/2001	Phillips et al.	D6/366

D451,717 S	*	12/2001	Tseng	D6/500
D452,092 S	*	12/2001	Tseng	D6/500
D458,776 S	*	6/2002	Patton	D6/498
D461,076 S	*	8/2002	Lee	D6/501
D461,347 S	*	8/2002	Tsai	D6/500
D467,443 S	*	12/2002	Kwon	D6/366
D474,051 S	*	5/2003	Tseng	D6/500

* cited by examiner

Primary Examiner—Mimosa De

(74) *Attorney, Agent, or Firm*—Alan D. Kamrath; Nikolai & Mersereau, P.A.

(57) **CLAIM**

The ornamental design for chair, as shown and described.

DESCRIPTION

FIG. 1 is a perspective view of a chair showing my new design;

FIG. 2 is a reduced front view thereof;

FIG. 3 is a reduced rear view thereof;

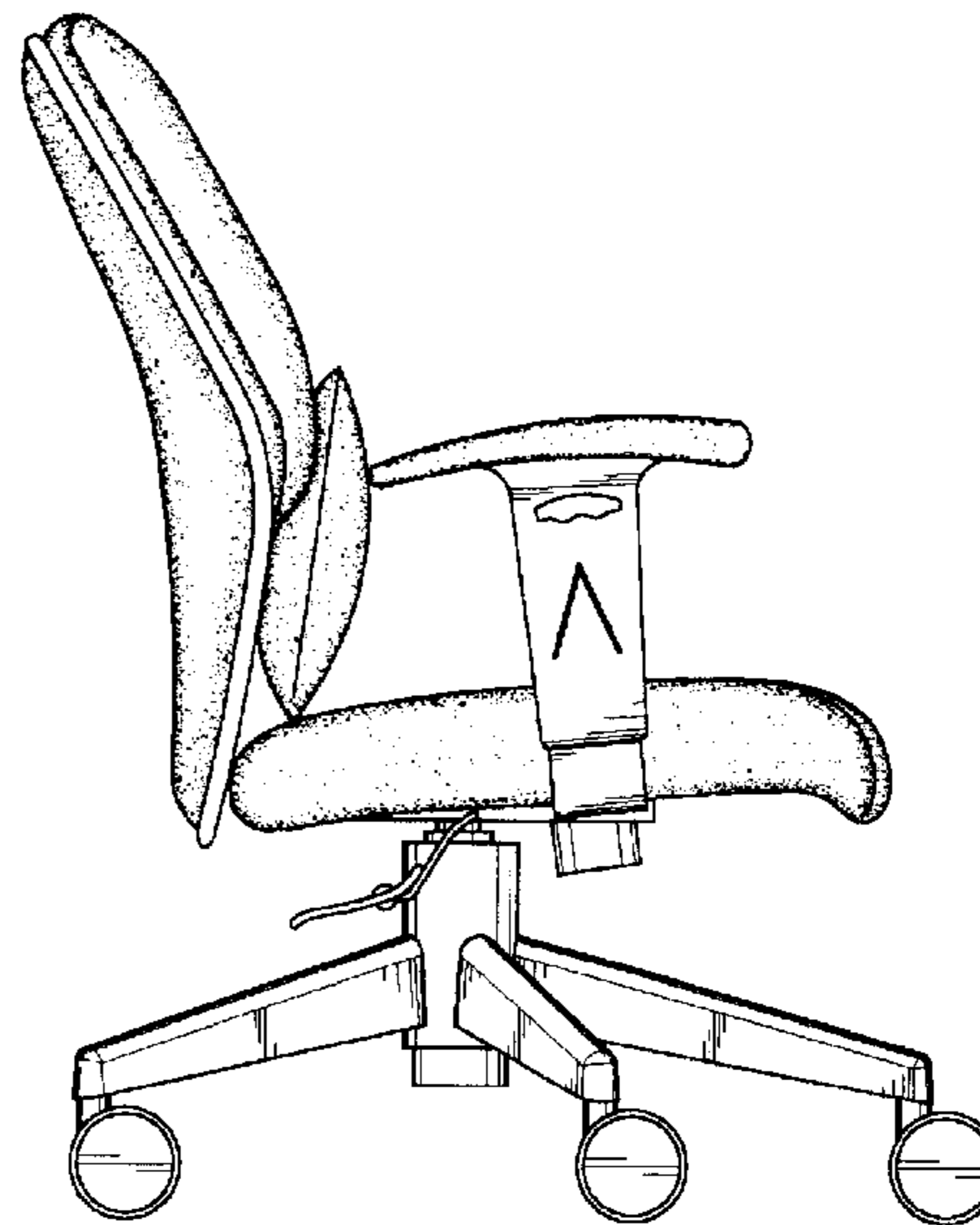
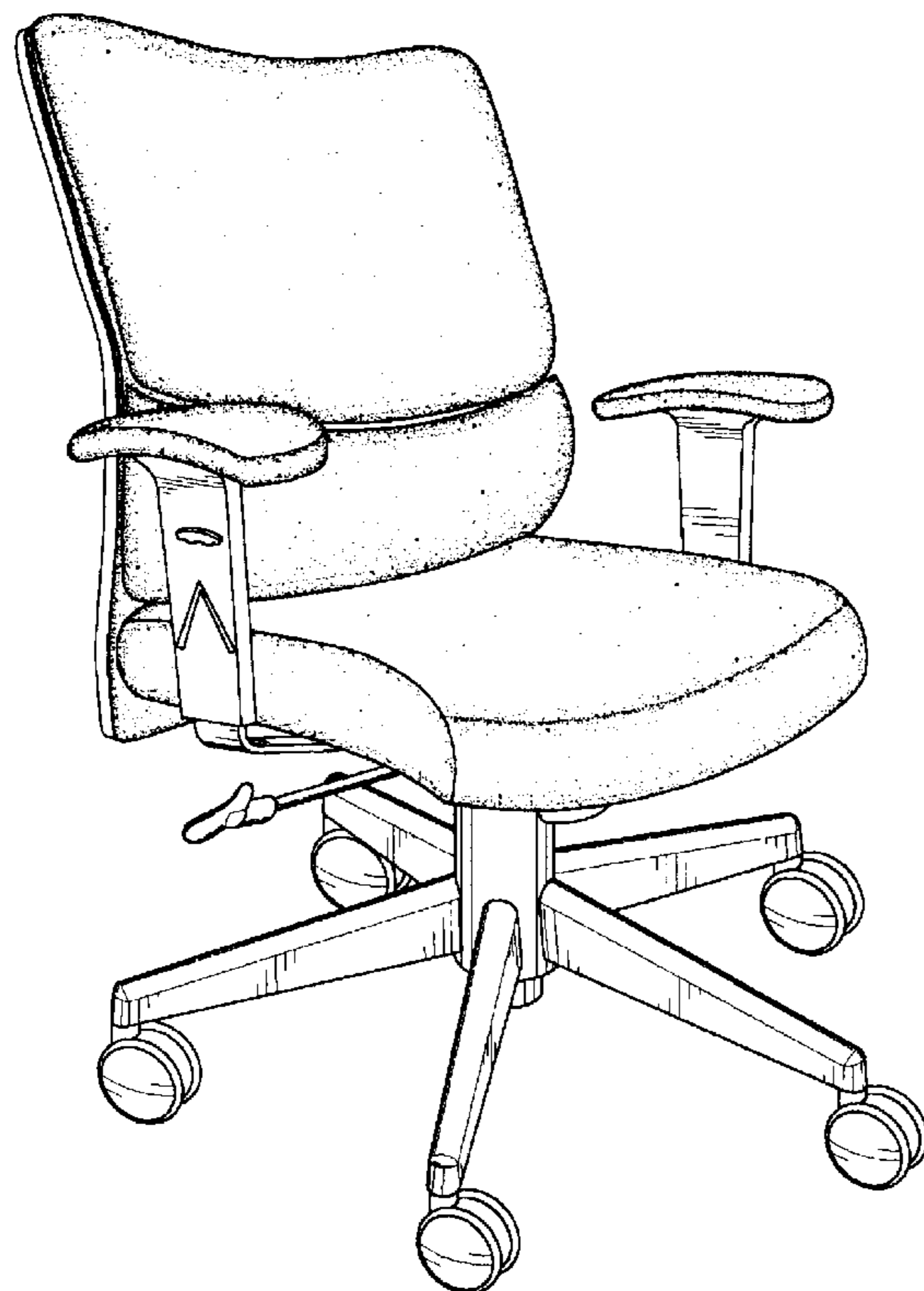
FIG. 4 is a reduced left view thereof;

FIG. 5 is a reduced right view thereof;

FIG. 6 is a reduced top view thereof; and,

FIG. 7 is a reduced bottom view thereof.

1 Claim, 4 Drawing Sheets



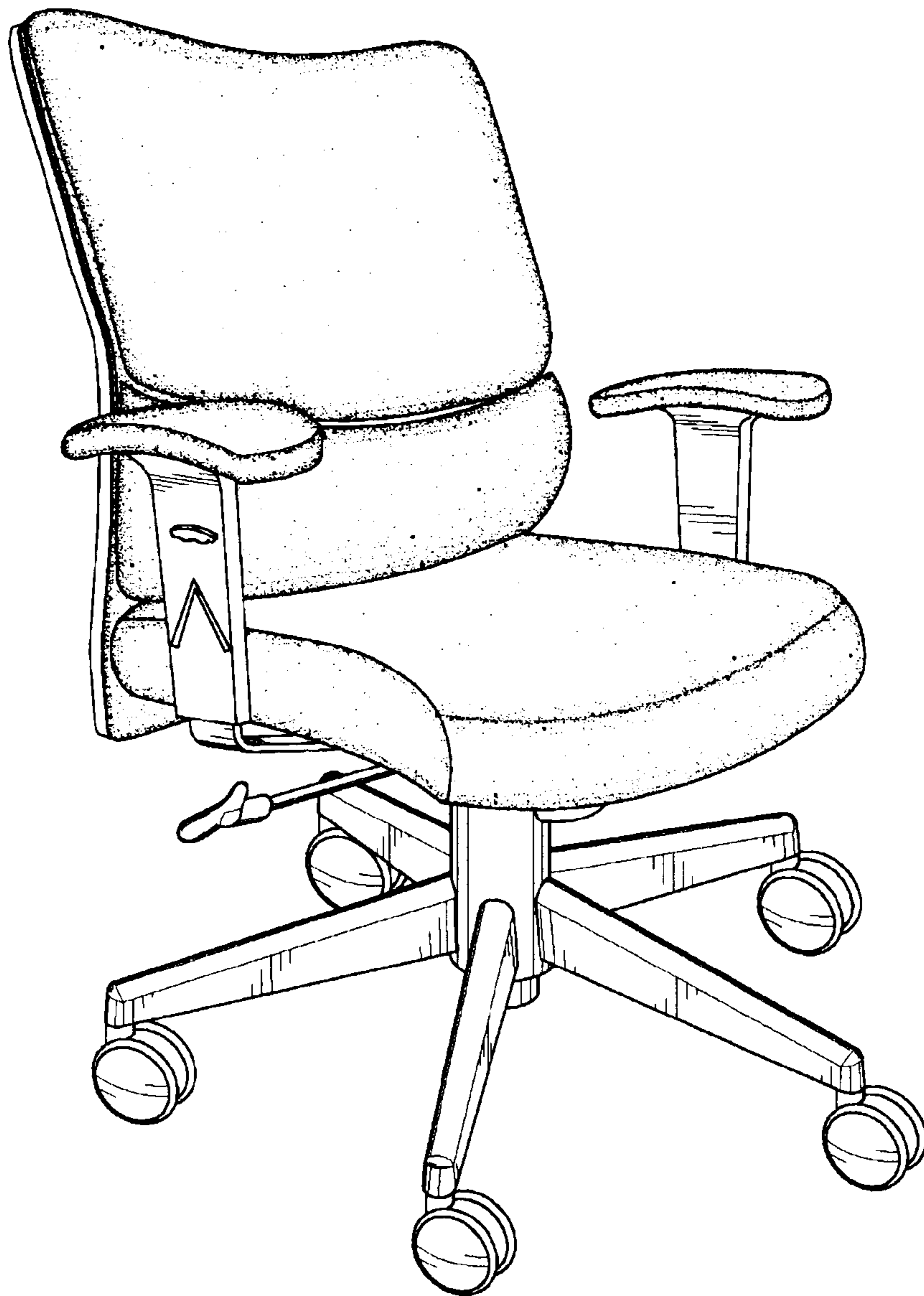


Fig. 1

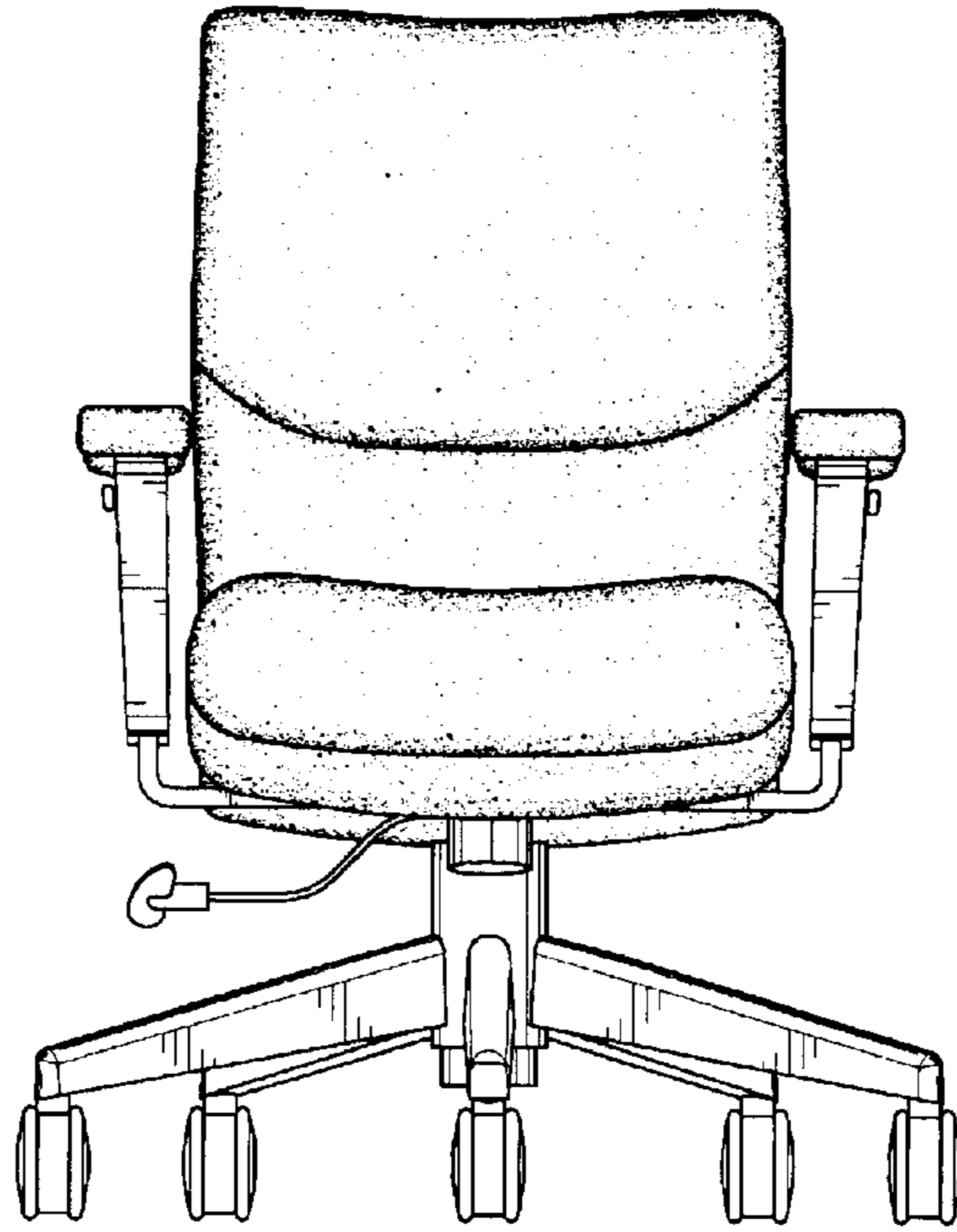


Fig.2

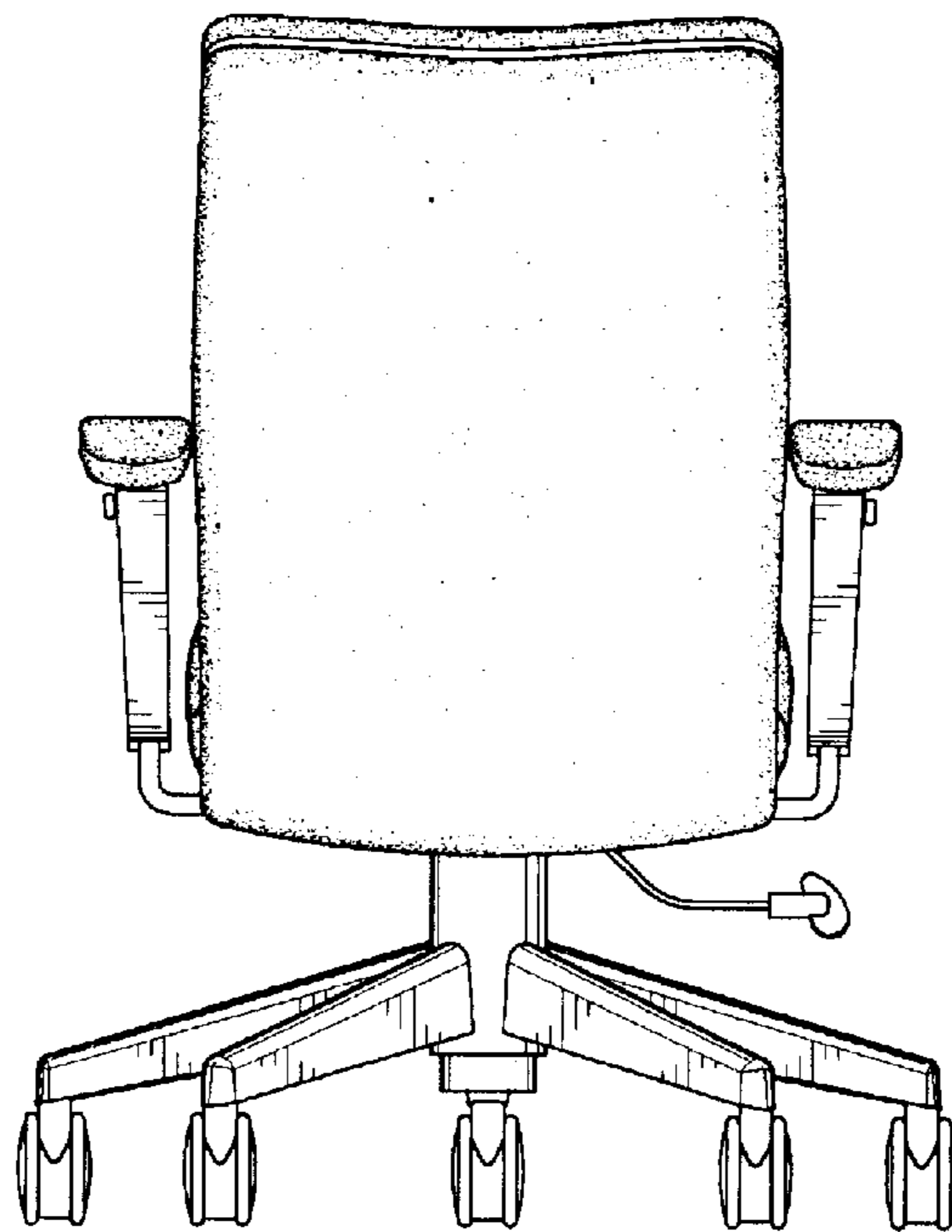


Fig.3

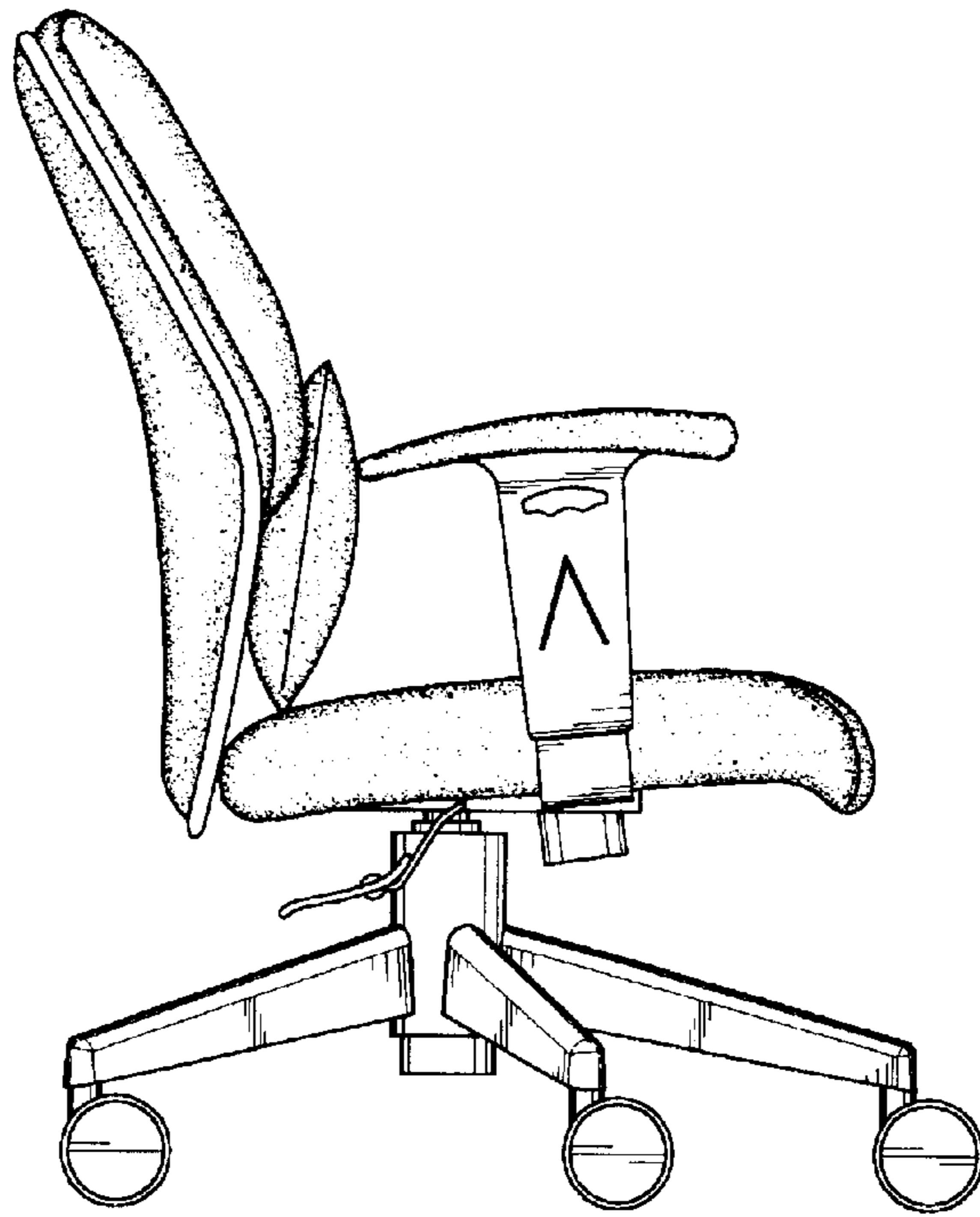


Fig.4

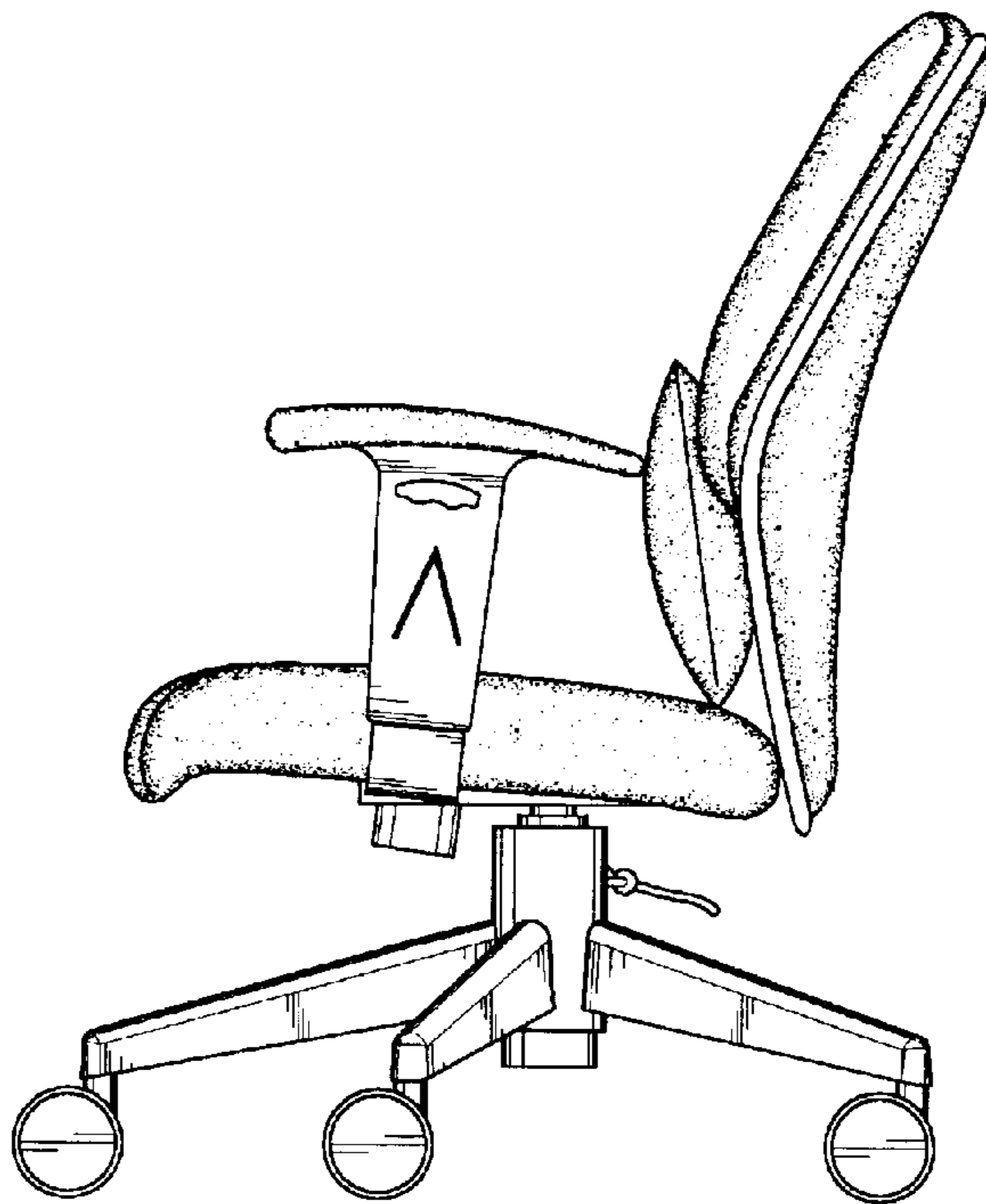


Fig.5

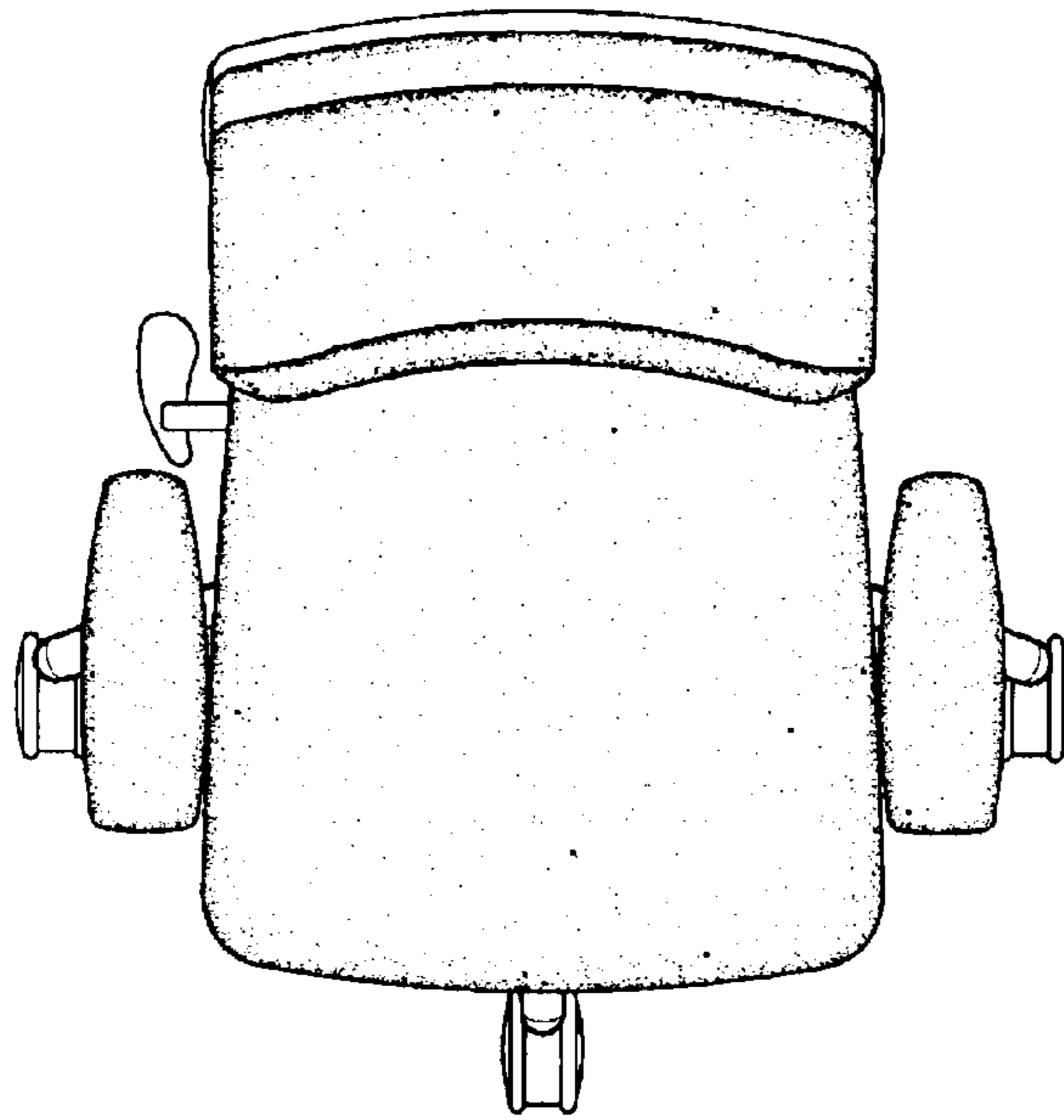


Fig.6

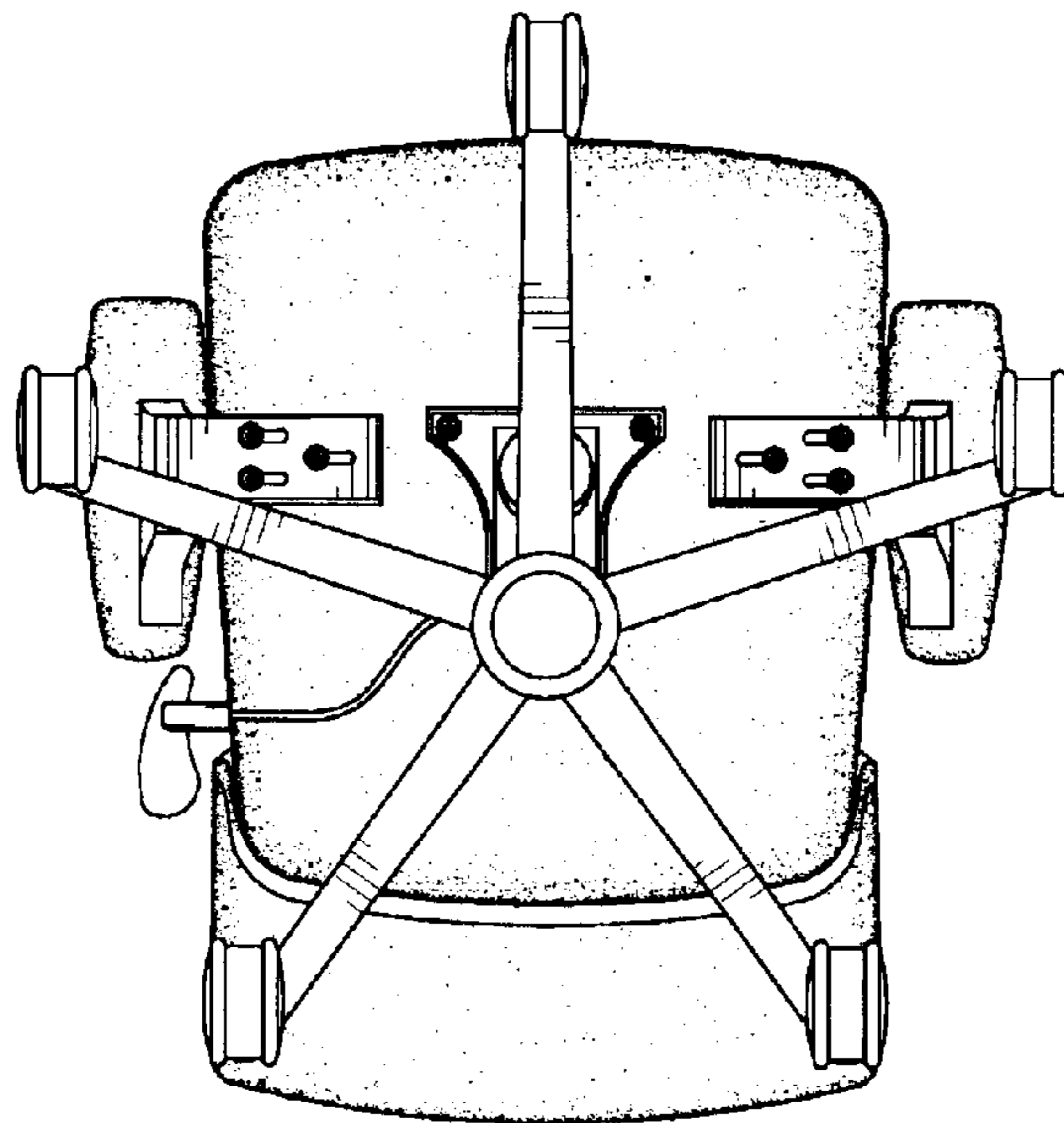


Fig.7