



US00D540553S

(12) **United States Design Patent**  
**Dramov**

(10) **Patent No.:** **US D540,553 S**

(45) **Date of Patent:** **\*\* Apr. 17, 2007**

(54) **CHAIR**

(75) Inventor: **Boris Dramov**, San Francisco, CA (US)

(73) Assignee: **ROMA Design Group**, San Francisco, CA (US)

(\*\*) Term: **14 Years**

(21) Appl. No.: **29/247,393**

(22) Filed: **Jun. 15, 2006**

(51) **LOC (8) Cl.** ..... **06-01**

(52) **U.S. Cl.** ..... **D6/364**

(58) **Field of Classification Search** ..... D6/334-336,  
D6/360, 364, 365, 367, 374, 375, 376, 500-502;  
297/445.1, 451.4, 451.5, 452.12, 452.14  
See application file for complete search history.

(56) **References Cited**

**U.S. PATENT DOCUMENTS**

3,281,185	A	*	10/1966	Albinson et al.	.....	297/452.14
D211,462	S	*	6/1968	Platner	.....	D6/364
D211,463	S	*	6/1968	Platner	.....	D6/364
D224,867	S	*	10/1972	Burke	.....	D6/364
3,827,750	A	*	8/1974	Fantoni	.....	297/451.4
D232,879	S	*	9/1974	Samhammer	.....	D6/360
D311,459	S	*	10/1990	Holmstrom	.....	D6/367

D322,897	S	*	1/1992	McNamara	.....	D6/364
D384,212	S	*	9/1997	Infanti	.....	D6/360
D384,213	S	*	9/1997	Infanti	.....	D6/364
D508,786	S	*	8/2005	Natuzzi	.....	D6/364
D508,787	S	*	8/2005	Natuzzi	.....	D6/364
D508,791	S	*	8/2005	Natuzzi	.....	D6/364

\* cited by examiner

*Primary Examiner*—Mimosa De

(74) *Attorney, Agent, or Firm*—Steven R. Vosen

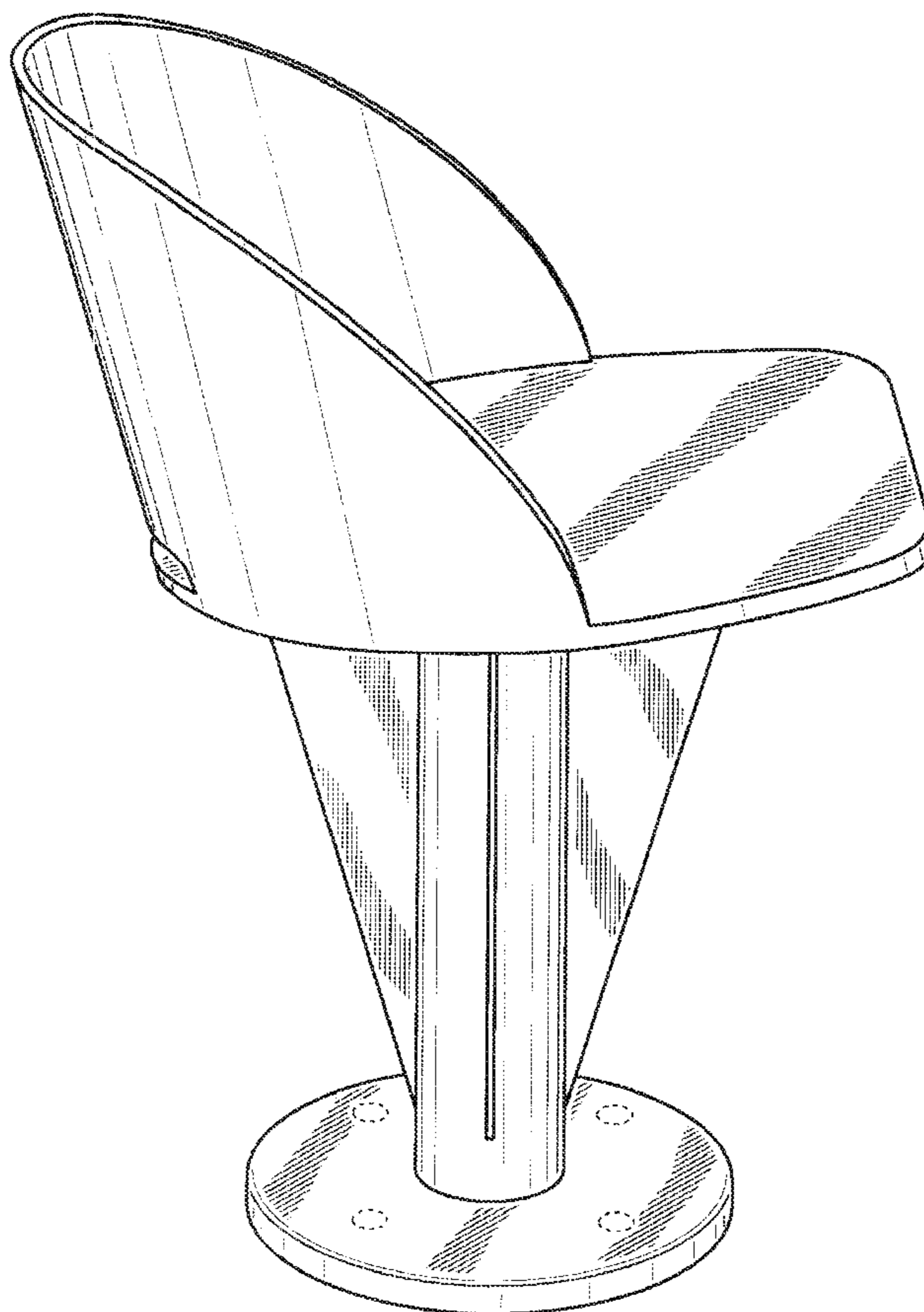
(57) **CLAIM**

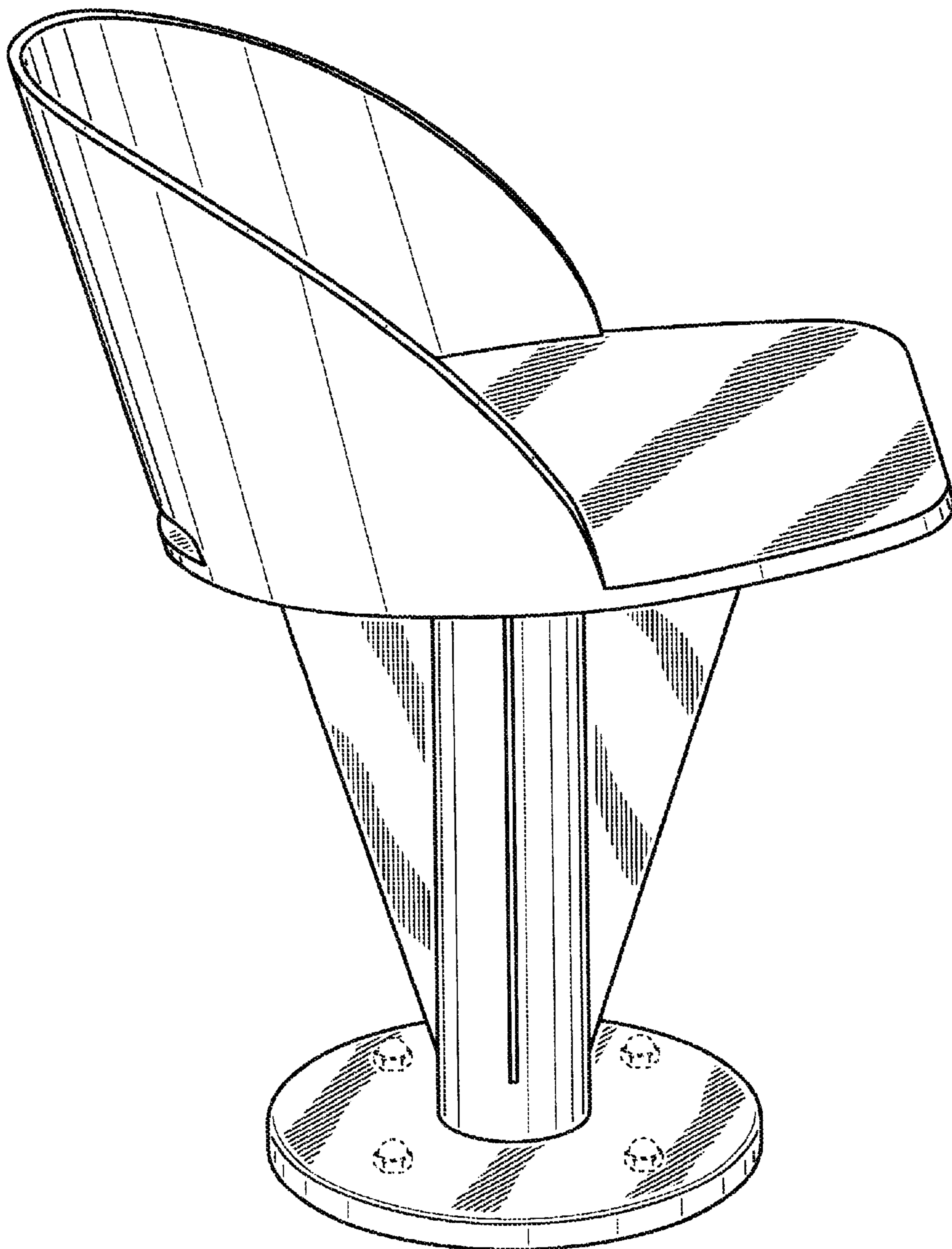
I claim the ornamental design for a chair, as shown and described.

**DESCRIPTION**

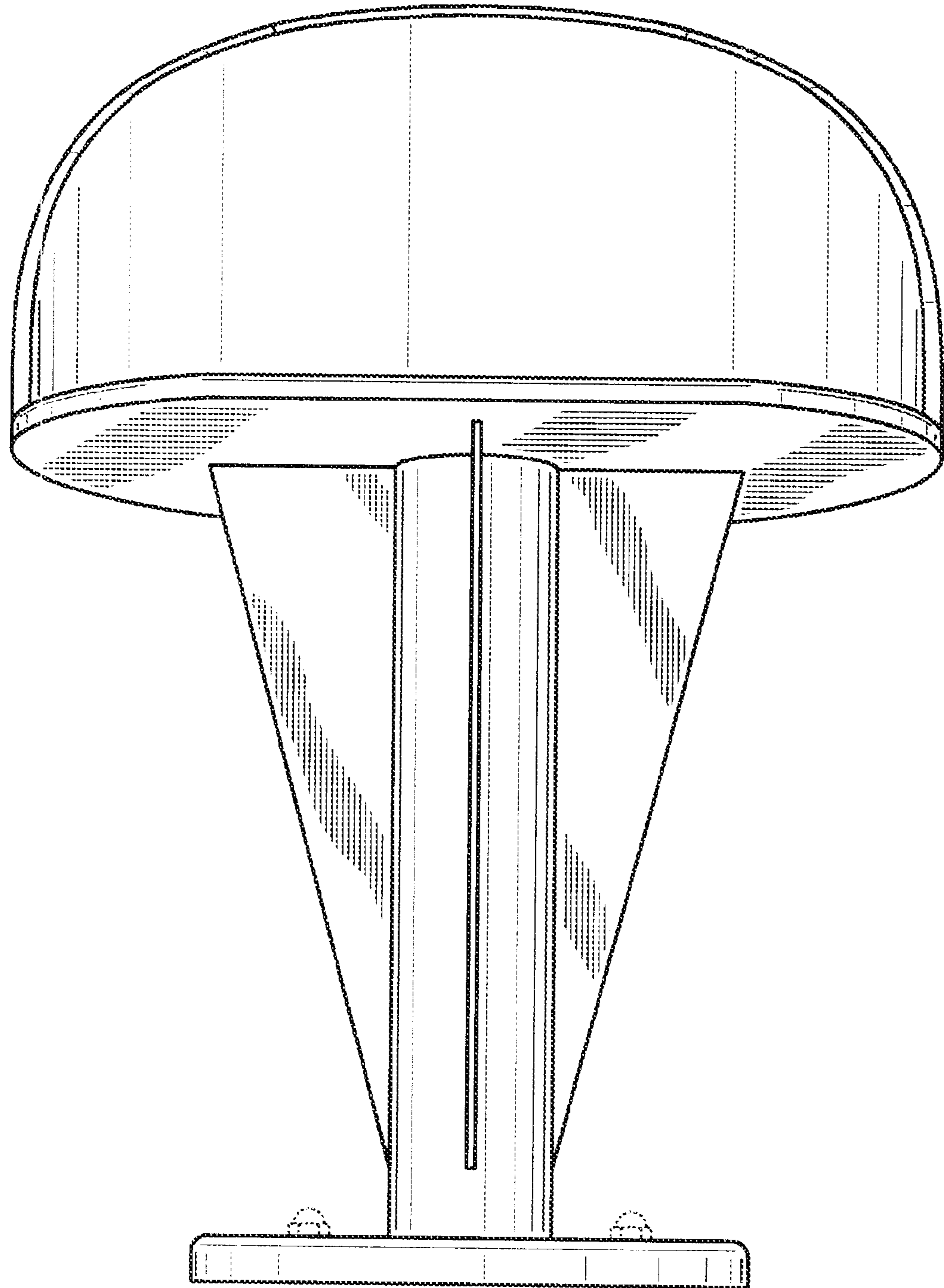
FIG. 1 is an upper left side perspective view of the chair of the present invention;  
FIG. 2 is a front elevational view;  
FIG. 3 is a right side elevational view, the left side elevational view being a mirror image thereof;  
FIG. 4 is a rear elevational view;  
FIG. 5 is a top plan view; and,  
FIG. 6 is a bottom plan view.  
A chair is shown having broken lines on the base thereof for illustrative purposes only and forming no part of the claimed design.

**1 Claim, 5 Drawing Sheets**

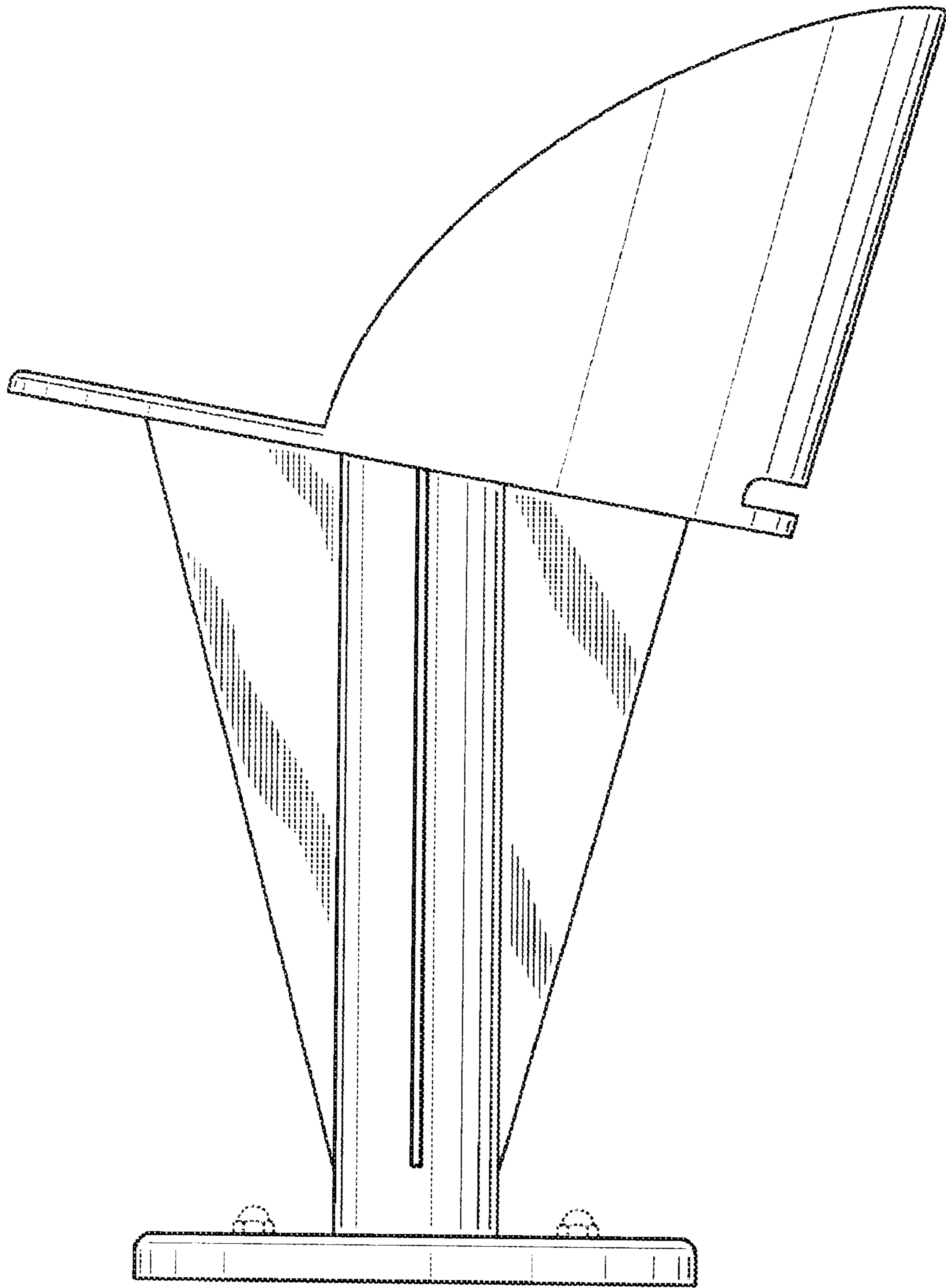




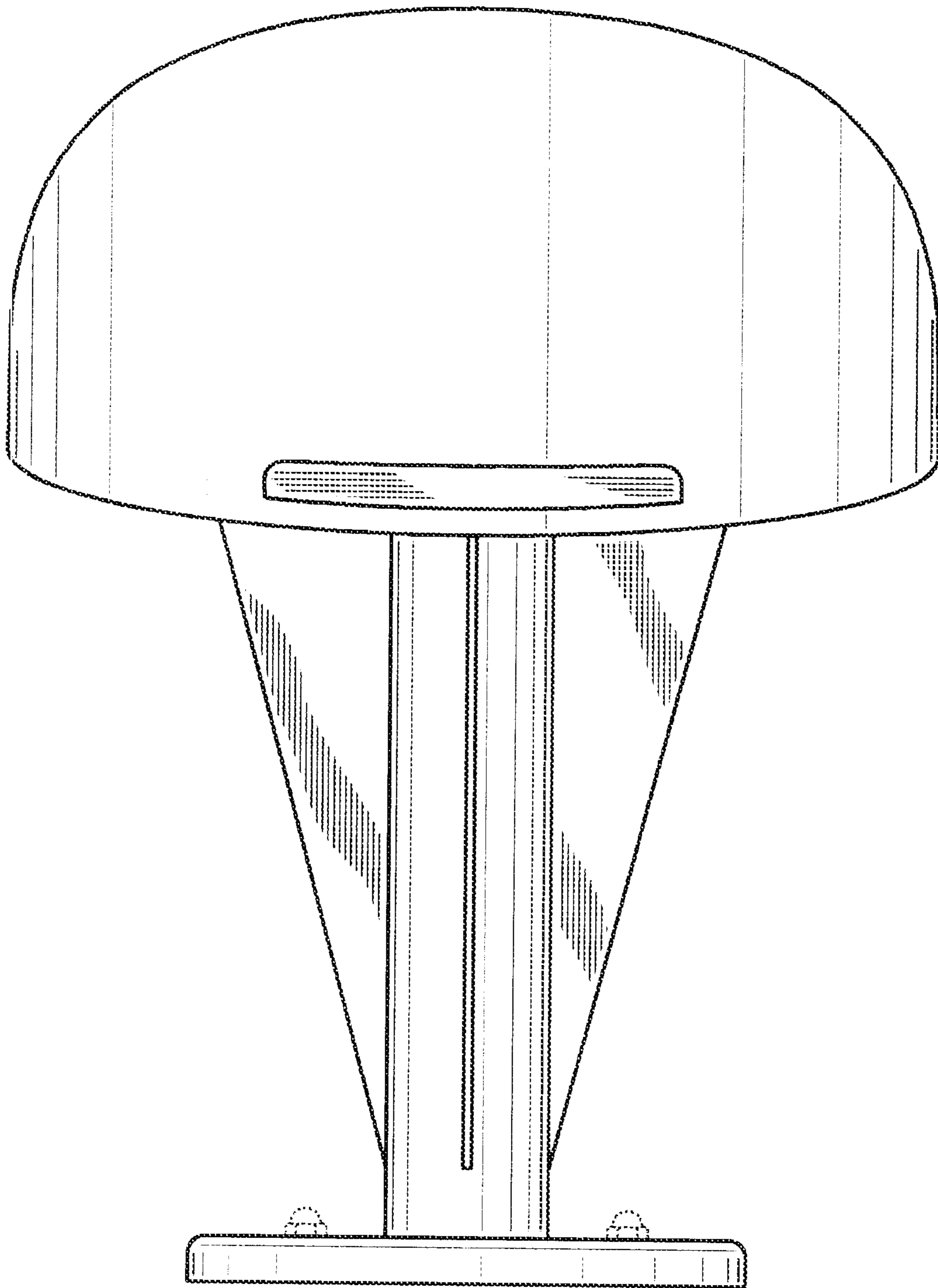
**FIG. 1**



**FIG. 2**

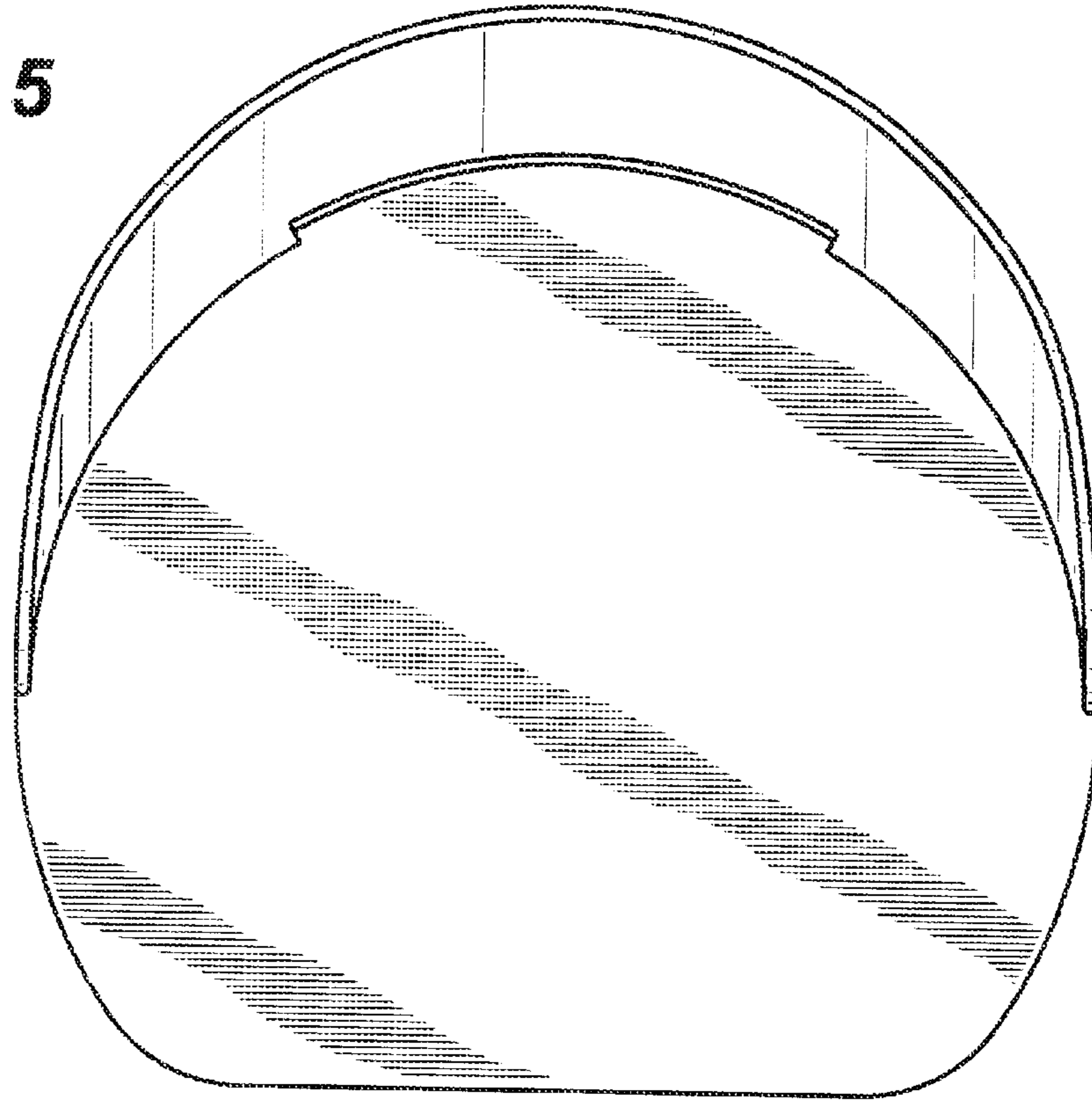


**FIG. 3**



**FIG. 4**

**FIG. 5**



**FIG. 6**

