

US00D540549S

(12) **United States Design Patent**
Yue

(10) **Patent No.:** **US D540,549 S**
(45) **Date of Patent:** **** Apr. 17, 2007**

(54) **MIRROR**
(75) Inventor: **Brenda Po Kwan Yue**, Kowloon (HK)
(73) Assignee: **Conair Corporation**, Stamford, CT
(US)
(**) Term: **14 Years**
(21) Appl. No.: **29/217,258**
(22) Filed: **Nov. 15, 2004**

Related U.S. Application Data

(63) Continuation of application No. 29/189,718, filed on Sep. 10, 2003, now abandoned.
(51) **LOC (8) Cl.** **06-04**
(52) **U.S. Cl.** **D6/312**
(58) **Field of Classification Search** D6/300-309,
D6/444, 432, 568; 40/700-702, 714, 717,
40/721, 727, 738, 739, 742, 745, 746, 747,
40/768, 777, 778, 779, 782-784, 790-791;
312/204; D11/131
See application file for complete search history.

(56) **References Cited**

U.S. PATENT DOCUMENTS

357,352 A 2/1887 Wiederer
894,685 A 7/1908 McIsaac
1,065,110 A 6/1913 Bustanoby
1,179,063 A * 4/1916 Aldrete 359/879
D65,982 S 11/1924 Tompkins
D80,595 S 2/1930 Becker
2,165,683 A 7/1939 Storch
2,190,677 A 2/1940 Potts
D155,495 S 10/1949 Fitzgerald
2,559,290 A * 7/1951 Engelmann 359/840
2,584,829 A 2/1952 Barnes
2,597,905 A 5/1952 Steinen
2,597,906 A 5/1952 Steinen
D194,827 S 3/1963 Debeh
D200,139 S 1/1965 O'Brien
3,179,361 A 4/1965 O'Brien
D209,437 S 11/1967 Rothman
D225,285 S * 11/1972 Heckathorn D6/309
D243,301 S 2/1977 Ravn
D243,478 S 2/1977 Jones

D261,845 S 11/1981 Wachtel
D268,443 S 3/1983 Brown
D307,678 S * 5/1990 Lookerse D6/312
D316,635 S 5/1991 Smith
D335,580 S 5/1993 Gaullier
5,359,461 A 10/1994 Rice et al.
5,386,322 A 1/1995 Parsons
D379,125 S 5/1997 Simjian
5,654,824 A 8/1997 Tarr et al.
D407,905 S 4/1999 Warshawsky
D408,155 S 4/1999 Warshasky
D425,313 S 5/2000 Zadro
6,095,334 A 8/2000 Belveal et al.
6,099,133 A * 8/2000 Wright 359/880
D431,375 S 10/2000 Zadro
6,206,530 B1 3/2001 Eberts
D442,371 S 5/2001 Eberts
6,241,357 B1 6/2001 Lee
6,305,809 B1 10/2001 Zadro
D511,413 S * 11/2005 Yue D6/300
2003/0076605 A1 4/2003 Shohet

FOREIGN PATENT DOCUMENTS

GB 2246706 2/1992

* cited by examiner

Primary Examiner—Janice E. Seeger
Assistant Examiner—Sydney R. Buffalow
(74) *Attorney, Agent, or Firm*—Lawrence Cruz; Steven A. Garner

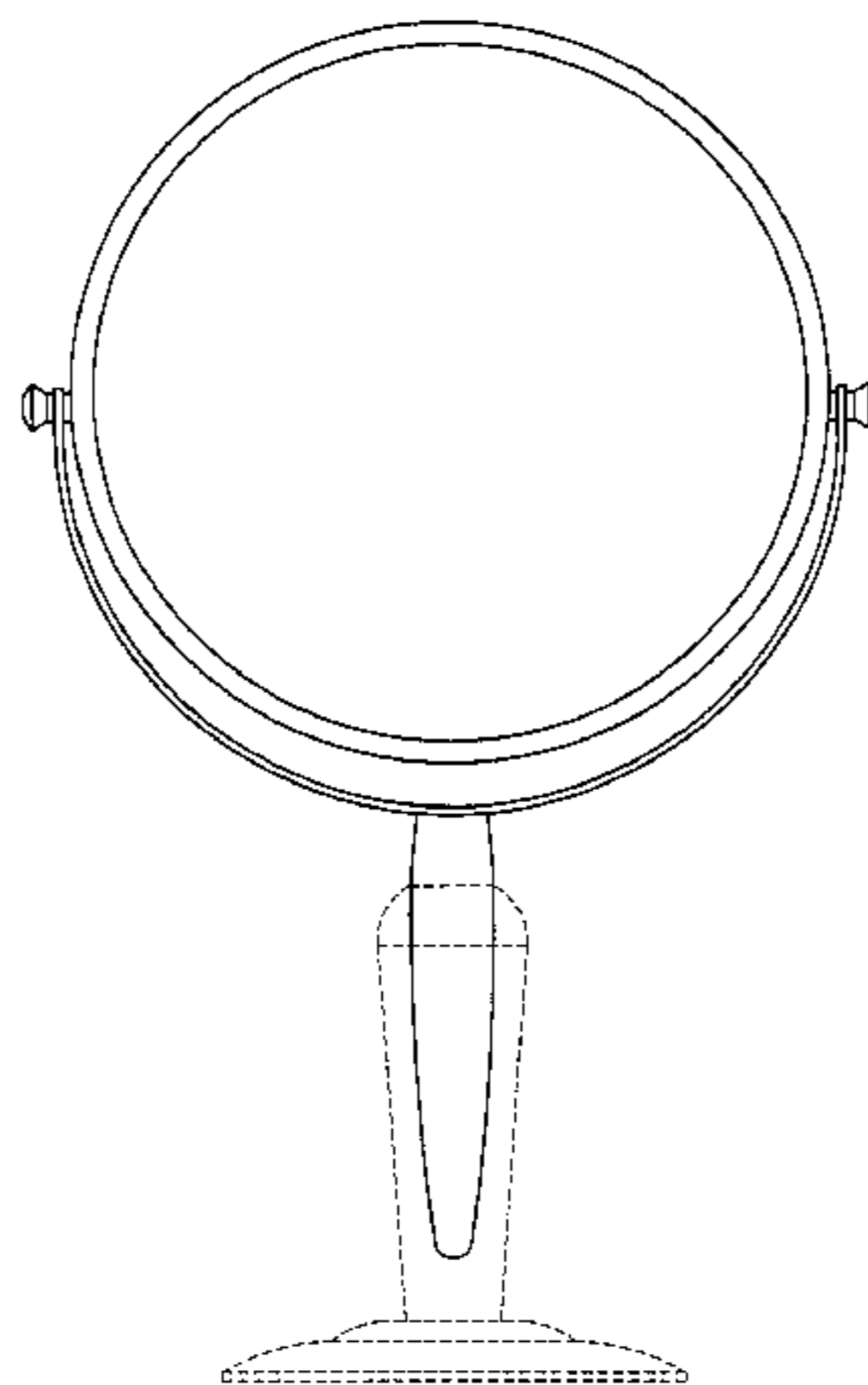
(57) **CLAIM**

The ornamental design for a mirror, as shown and described.

DESCRIPTION

FIG. 1 is a first side view of a mirror according to the present invention, the opposite side being symmetric therewith; FIG. 2 is a second side view, rotated ninety degrees from the first side view, of the mirror of FIG. 1, the opposite side being symmetric therewith; FIG. 3 is a top view of the mirror of FIG. 1; and, FIG. 4 is a bottom view of the mirror of FIG. 1. The broken lines identify objects that form no part of the claimed design.

1 Claim, 3 Drawing Sheets



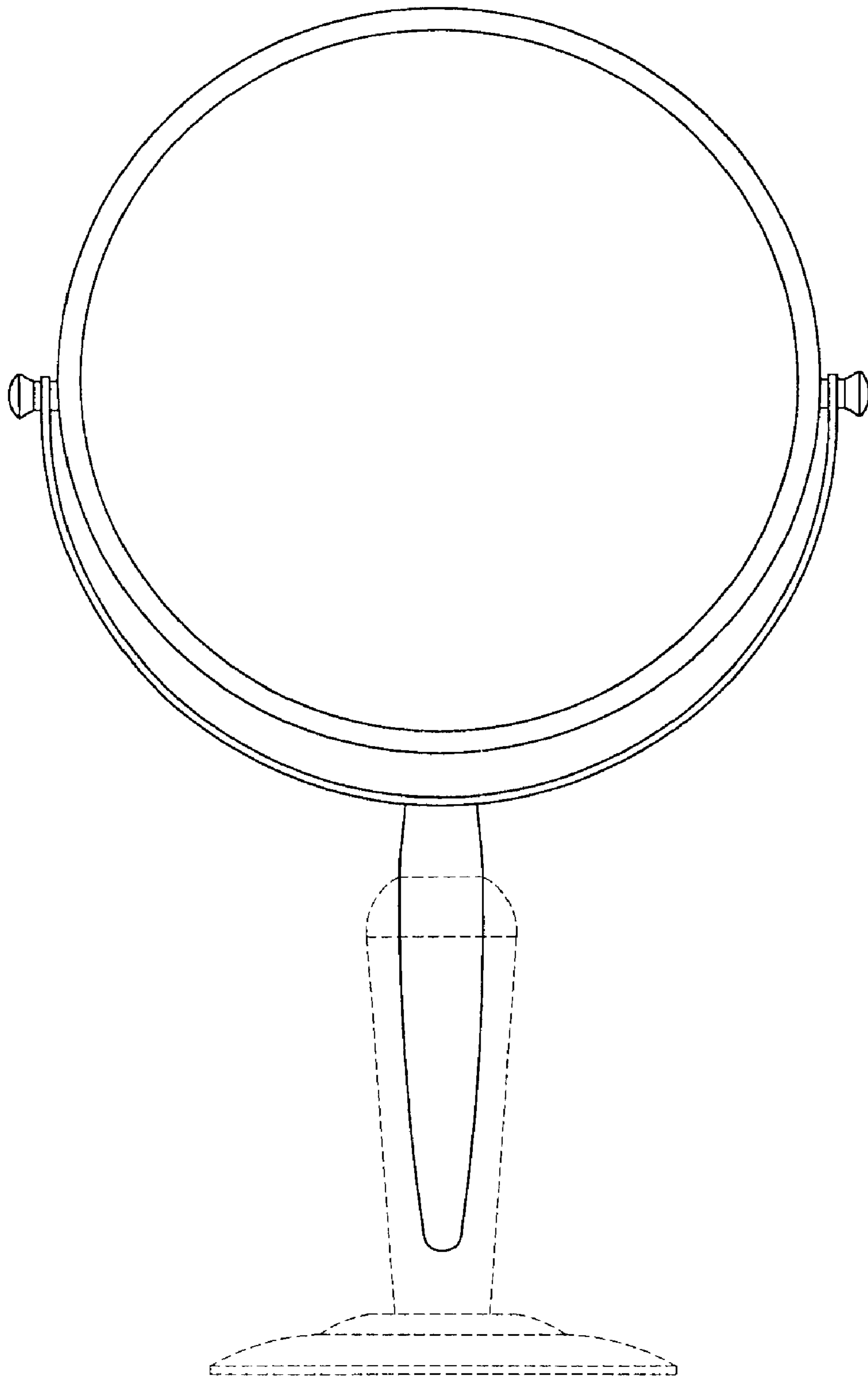


FIG. 1

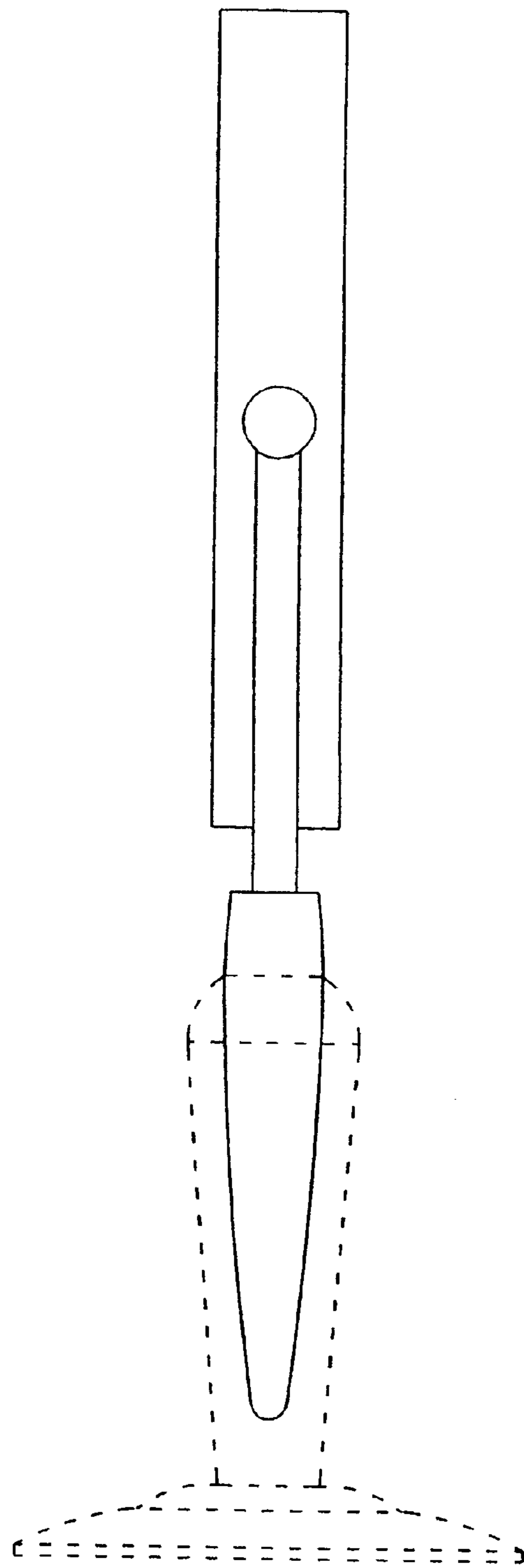


FIG. 2

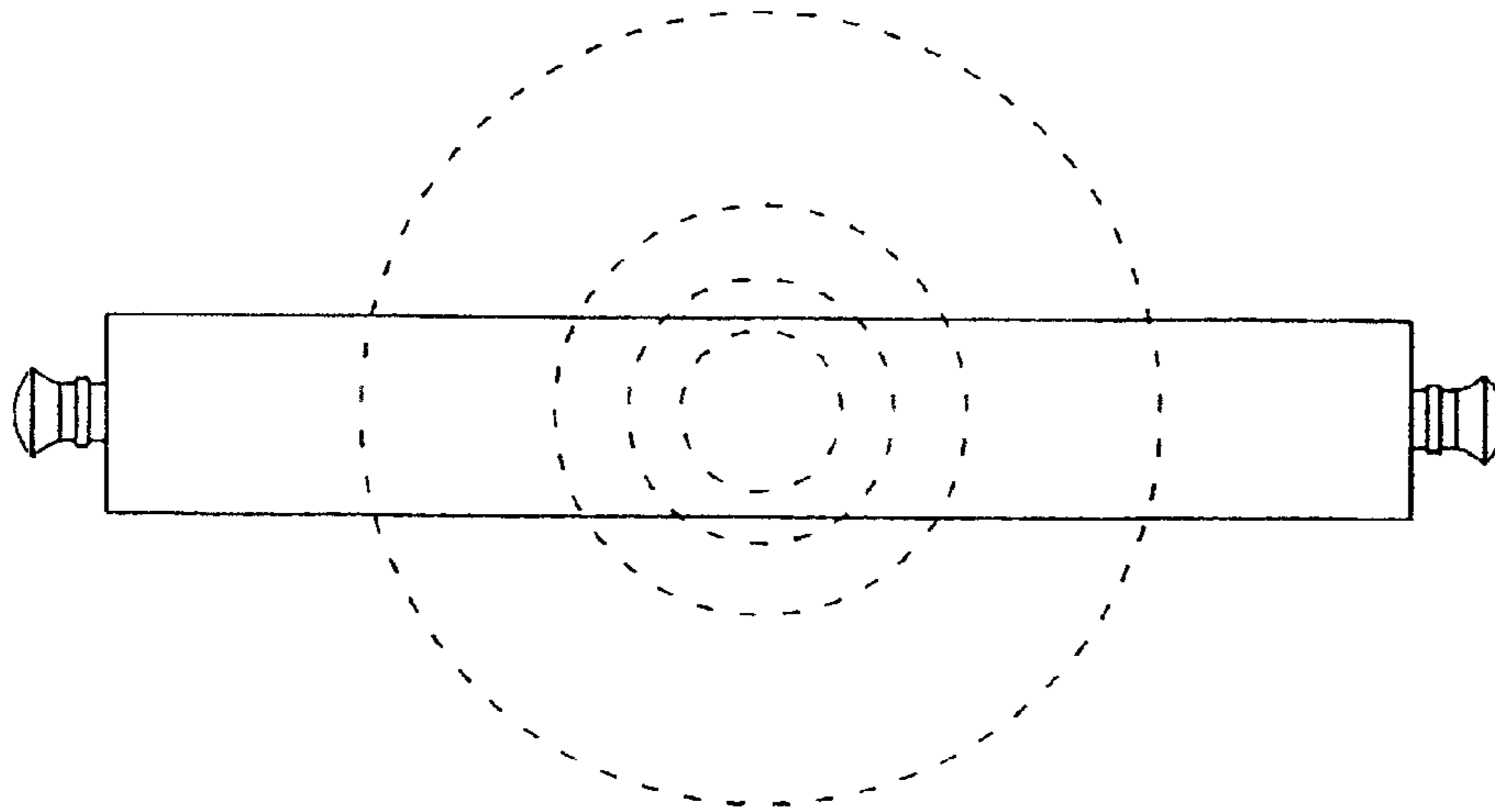


FIG. 3

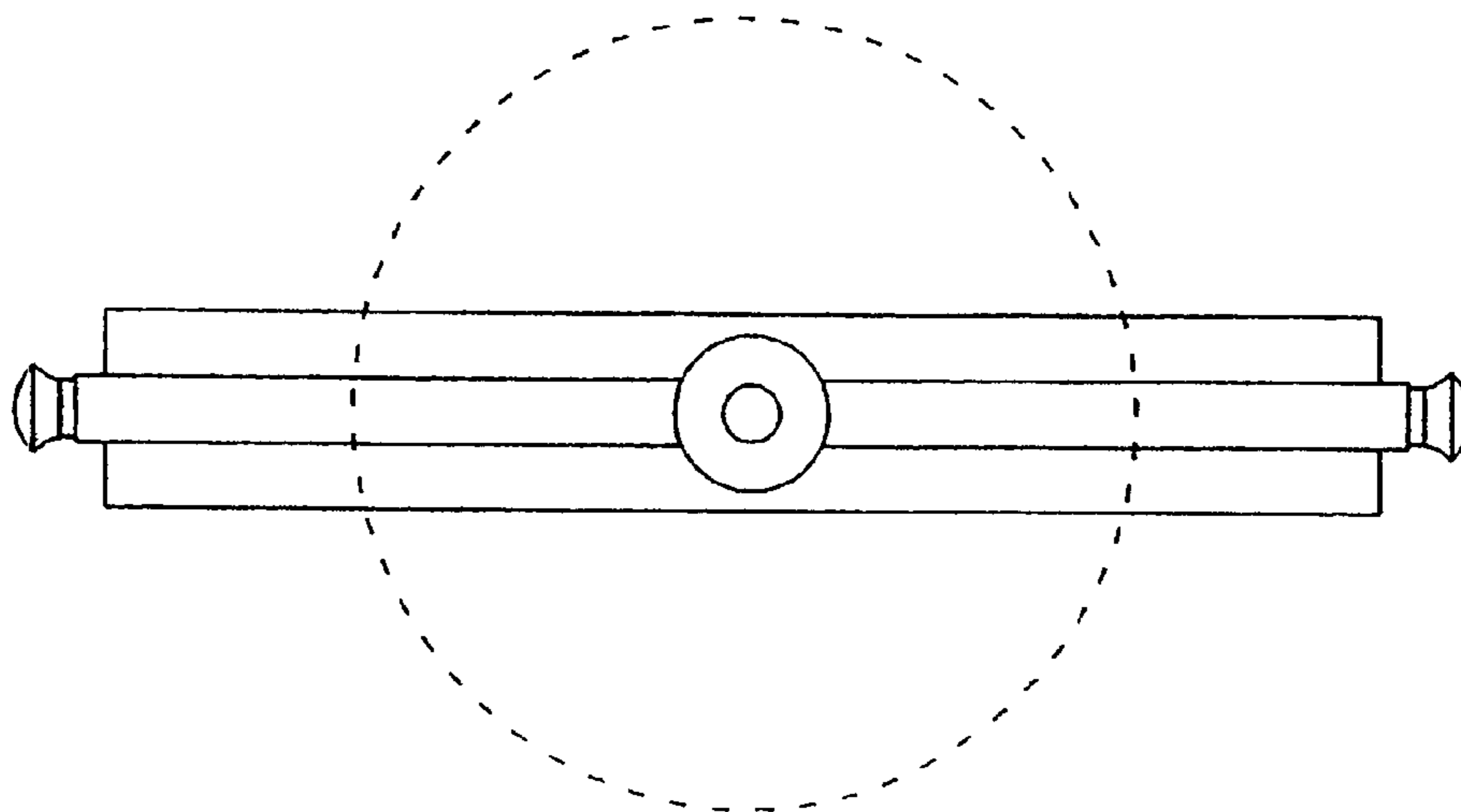


FIG. 4