



US00D540542S

(12) **United States Design Patent**
Harada

(10) **Patent No.:** **US D540,542 S**

(45) **Date of Patent:** **** Apr. 17, 2007**

(54) **STEPPED BRISTLE ARRAY FOR A TOOTHBRUSH HEAD**

D287,790 S * 1/1987 Fay D4/104
4,654,921 A * 4/1987 Dinner 15/167.1
D360,076 S * 7/1995 Schneider D4/104
D459,085 S * 6/2002 Harada D4/104

(75) Inventor: **Stephen D. Harada**, Piedmont, CA (US)

* cited by examiner

(73) Assignee: **Ergonomic Dental Technologies, Inc.**, San Francisco, CA (US)

Primary Examiner—Lisa Lichtenstein

(**) Term: **14 Years**

(74) *Attorney, Agent, or Firm*—GrayRobinson, P.A.

(21) Appl. No.: **29/153,437**

(57) **CLAIM**

(22) Filed: **Jan. 8, 2002**

The ornamental design for a stepped bristle array for a toothbrush head, as shown and described.

Related U.S. Application Data

DESCRIPTION

(62) Division of application No. 29/134,566, filed on Dec. 21, 2000, now Pat. No. Des. 459,085.

FIG. 1 is a perspective view of my ornamental design for a stepped bristle array for a toothbrush head;

(51) **LOC (8) Cl.** **04-02**

FIG. 2 is a front view thereof;

(52) **U.S. Cl.** **D4/104**

FIG. 3 is a plan, bottom view thereof;

(58) **Field of Classification Search** D4/104-112, D4/130, 132-134, 136; 15/159.1, 160, 167.1, 15/167.2, 186, 187, DIG. 5, DIG. 6, 132, 15/308, 309; 601/139, 141
See application file for complete search history.

FIG. 4 is a plan, top view thereof; and,

FIG. 5 is a side view thereof.

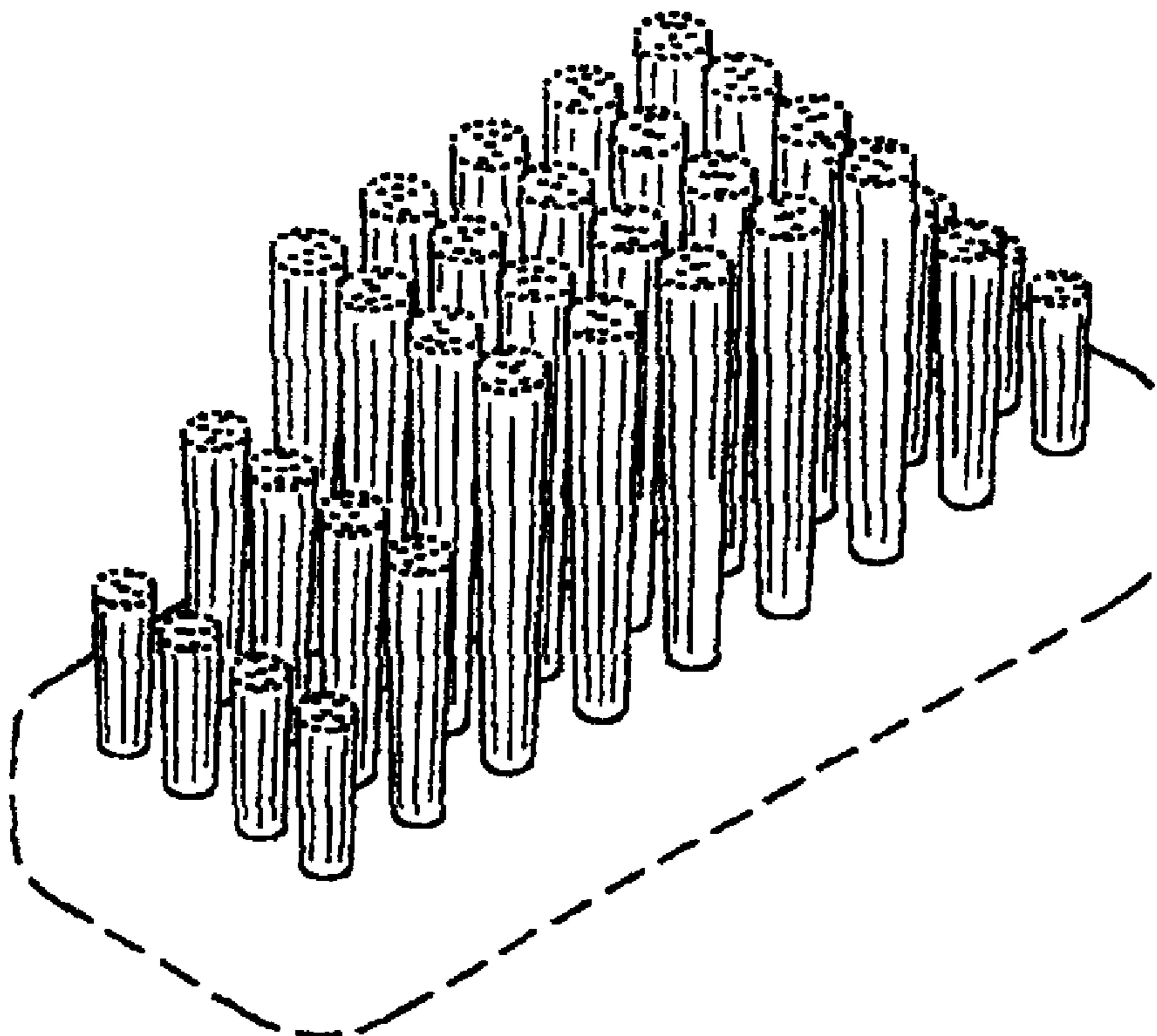
The broken line showing of a toothbrush head is included for the purpose of illustrating environmental structure and forms no part of the claimed design.

(56) **References Cited**

U.S. PATENT DOCUMENTS

D231,872 S * 6/1974 Spaulding D4/104

1 Claim, 1 Drawing Sheet



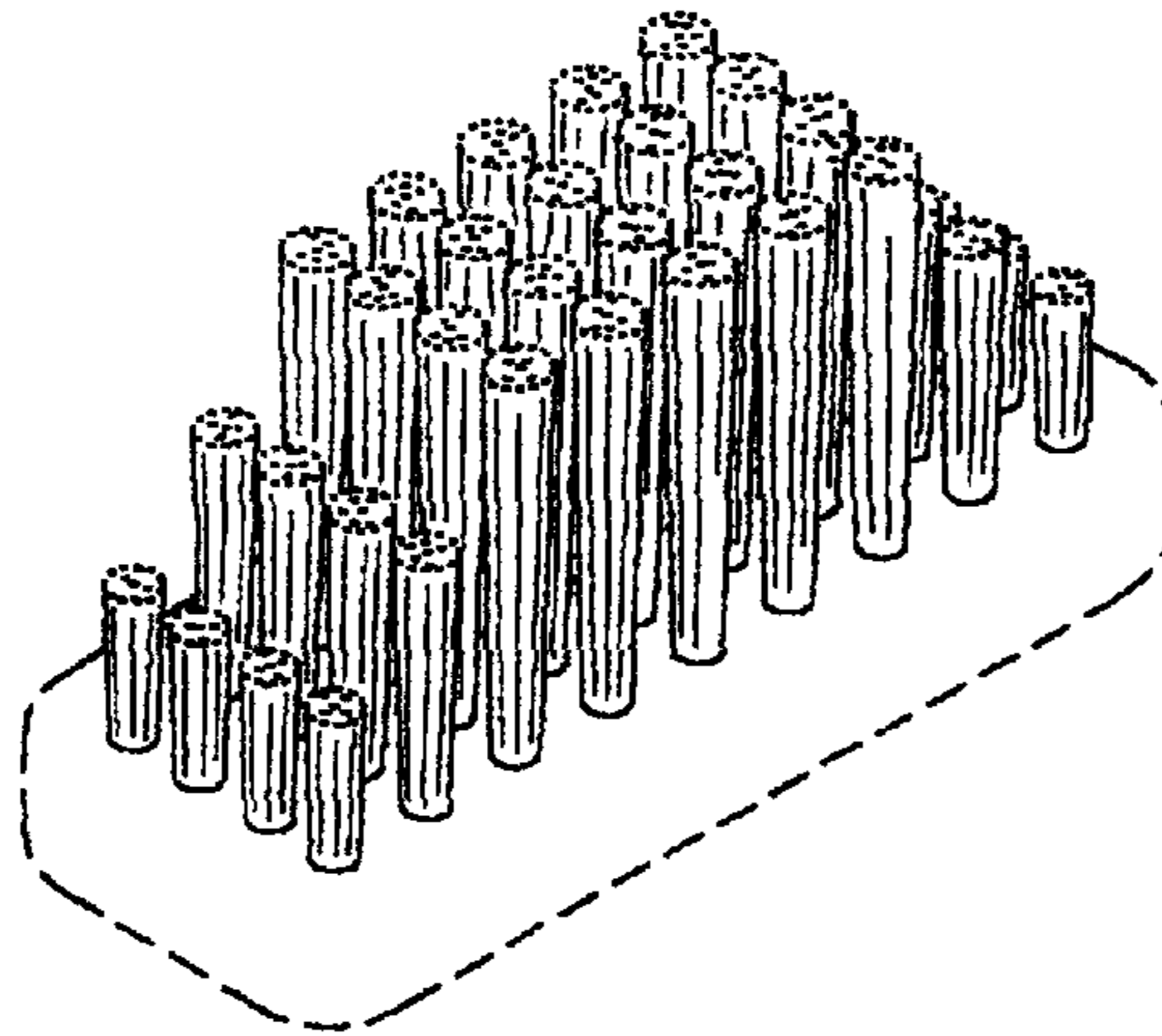


FIG. 1

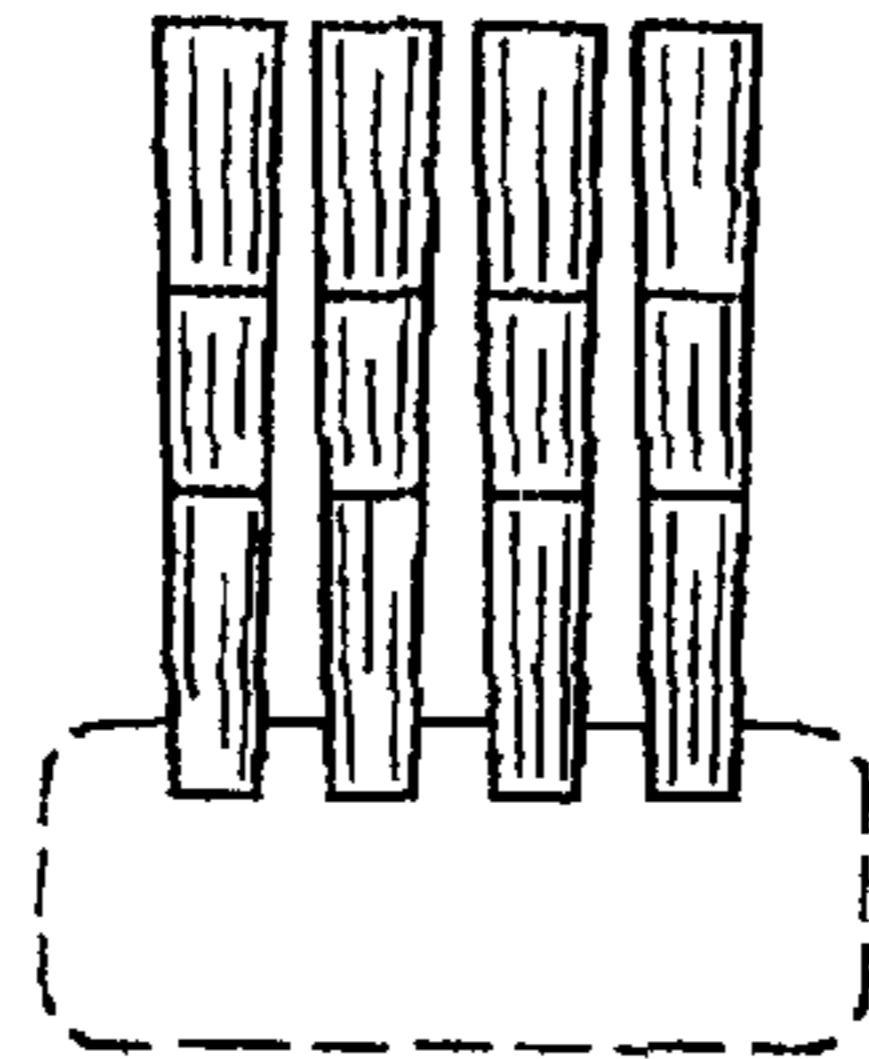


FIG. 2

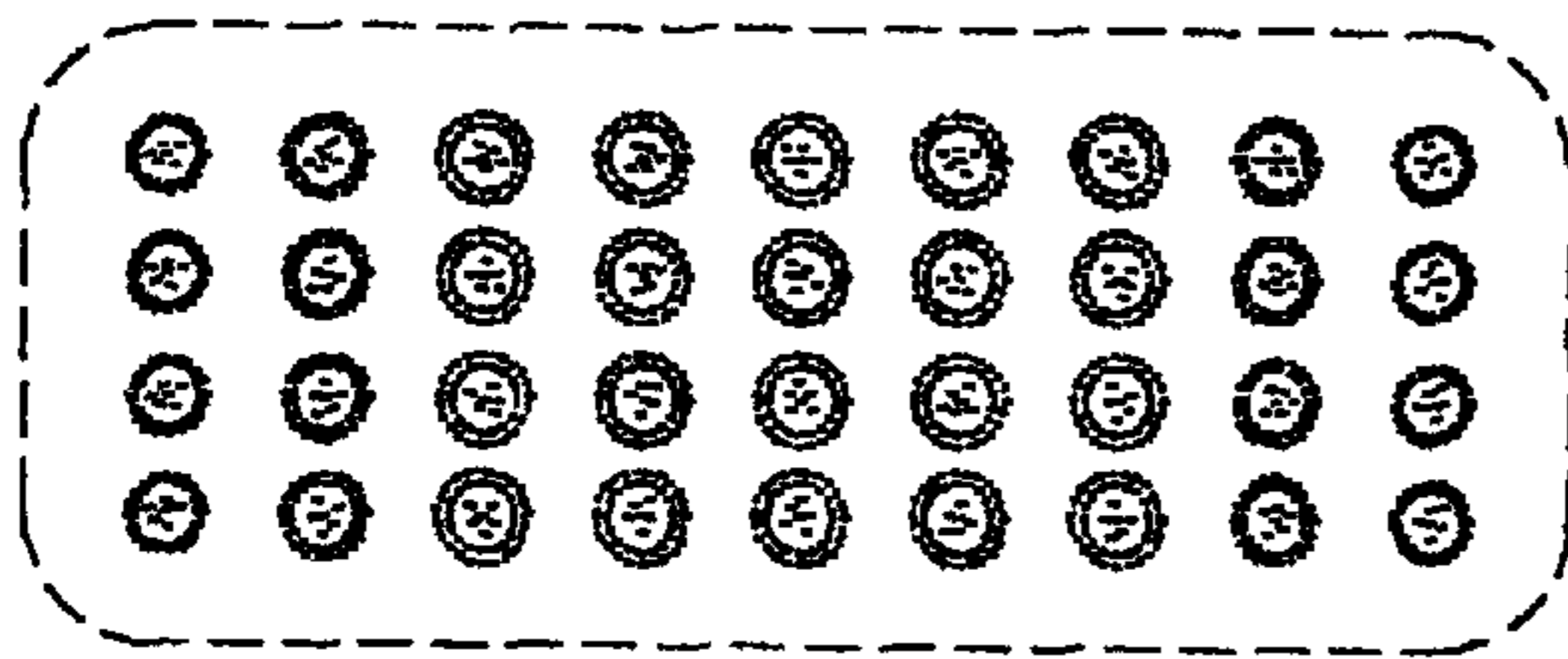


FIG. 3

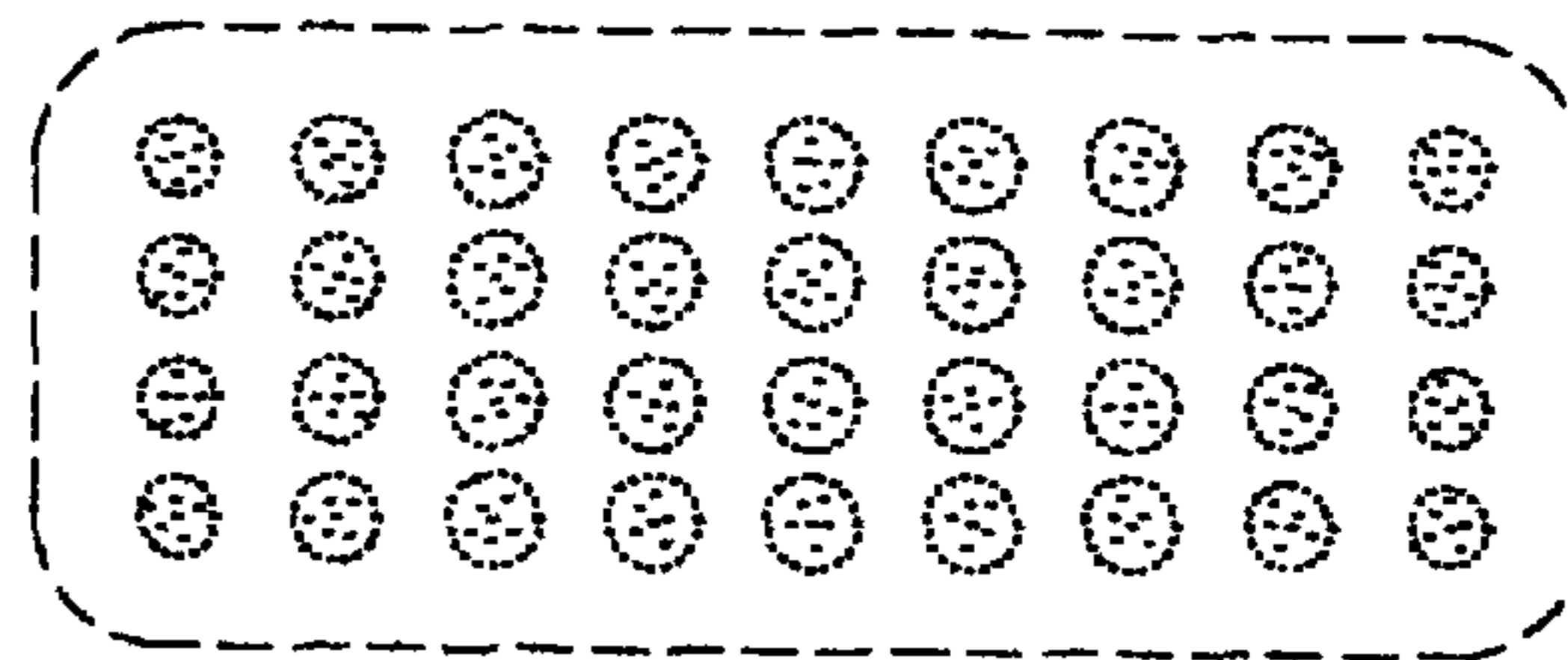


FIG. 4

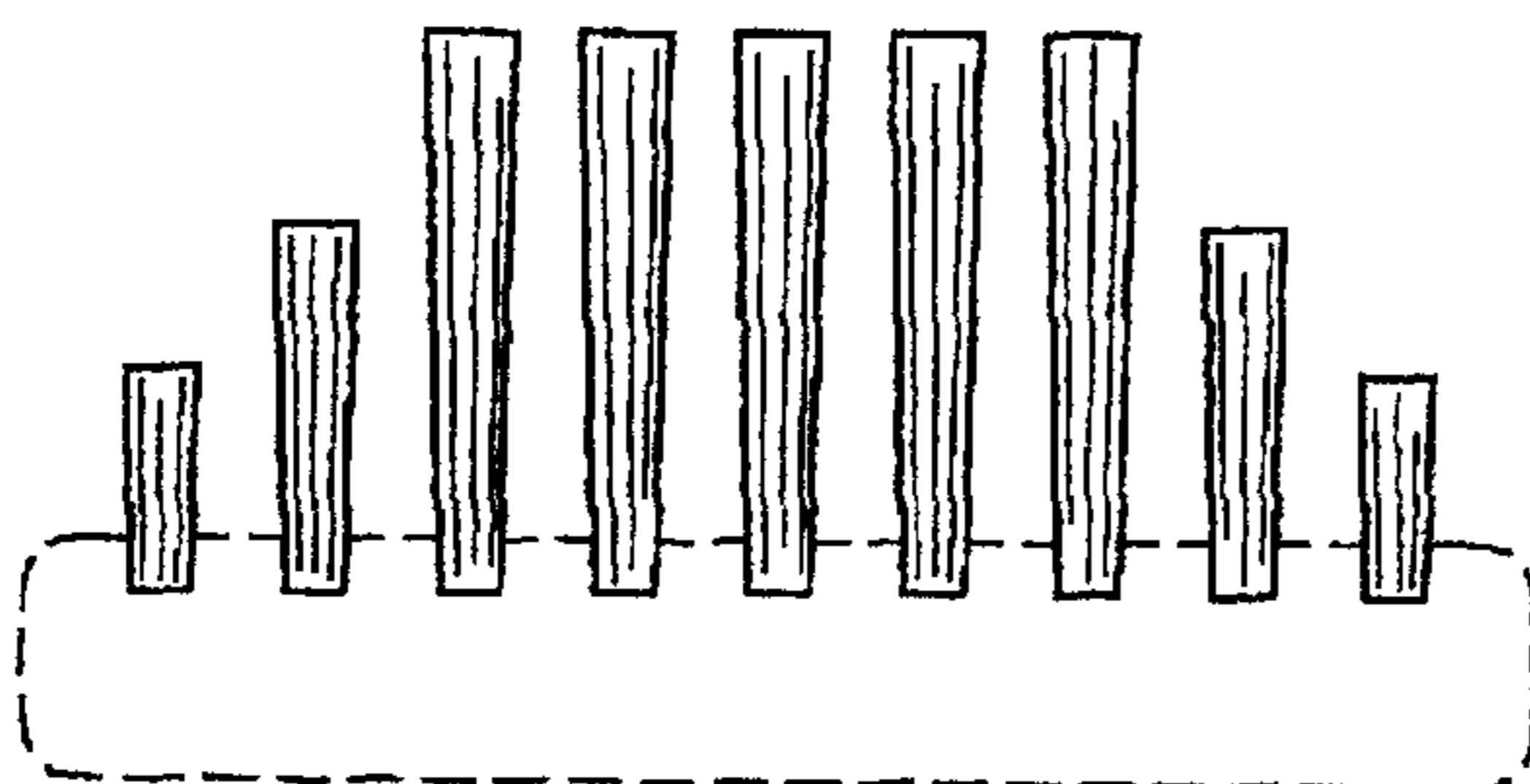


FIG. 5