

US00D540541S

(12) **United States Design Patent**  
**Liukko**

(10) **Patent No.:** **US D540,541 S**  
(45) **Date of Patent:** **\*\* Apr. 17, 2007**

(54) **PACKAGING CRATE**

(75) Inventor: **Aki Liukko**, Vaajakoski (FI)

(73) Assignee: **Valio Oy**, Jyvaskyla (FI)

(\*\*) Term: **14 Years**

(21) Appl. No.: **29/214,179**

(22) Filed: **Sep. 30, 2004**

(30) **Foreign Application Priority Data**

Apr. 2, 2004 (EM) ..... 000164611

(51) **LOC (8) Cl.** ..... **03-01**

(52) **U.S. Cl.** ..... **D3/309**; D34/38

(58) **Field of Classification Search** ..... D3/304–305,  
D3/307, 309, 311–312, 314–315; D6/510,  
D6/525; D7/602, 608, 709, 603, 510; D9/429–430,  
D9/425, 771, 738–739, 418, 704, 416; D22/136;  
D32/3, 37, 53; 232/1 B; 217/126, 18; 220/659,  
220/669, 676; 294/68.22; D30/121; D34/7  
See application file for complete search history.

(56) **References Cited**

**U.S. PATENT DOCUMENTS**

D224,366 S \* 7/1972 Rehrig ..... D3/312  
3,682,351 A \* 8/1972 De Putter ..... 206/505  
D260,568 S \* 9/1981 Cherry ..... D3/314  
D261,069 S \* 9/1981 Munch et al. .... D3/304  
D270,804 S \* 10/1983 Caves ..... D7/605  
D333,093 S \* 2/1993 Rehrig et al. .... D9/456

D341,461 S \* 11/1993 Davidson et al. .... D3/312  
D381,363 S \* 7/1997 Jackson ..... D19/92  
D400,012 S \* 10/1998 Apps ..... D3/314  
D401,066 S \* 11/1998 Ackermann ..... D3/307  
D412,399 S \* 8/1999 Apps et al. .... D34/38  
D439,049 S \* 3/2001 Koefeld ..... D3/304  
D446,939 S \* 8/2001 Koefeld ..... D3/307  
D469,255 S \* 1/2003 Hammett ..... D3/314  
D481,179 S \* 10/2003 Wendt et al. .... D32/3  
D483,946 S \* 12/2003 Koefeld ..... D3/304  
D524,651 S \* 7/2006 Perret ..... D9/456

\* cited by examiner

*Primary Examiner*—Louis S. Zarfes

*Assistant Examiner*—Eric L. Goodman

(74) *Attorney, Agent, or Firm*—Buchanan Ingersoll & Rooney PC

(57) **CLAIM**

The ornamental design for a packaging crate, as shown and described.

**DESCRIPTION**

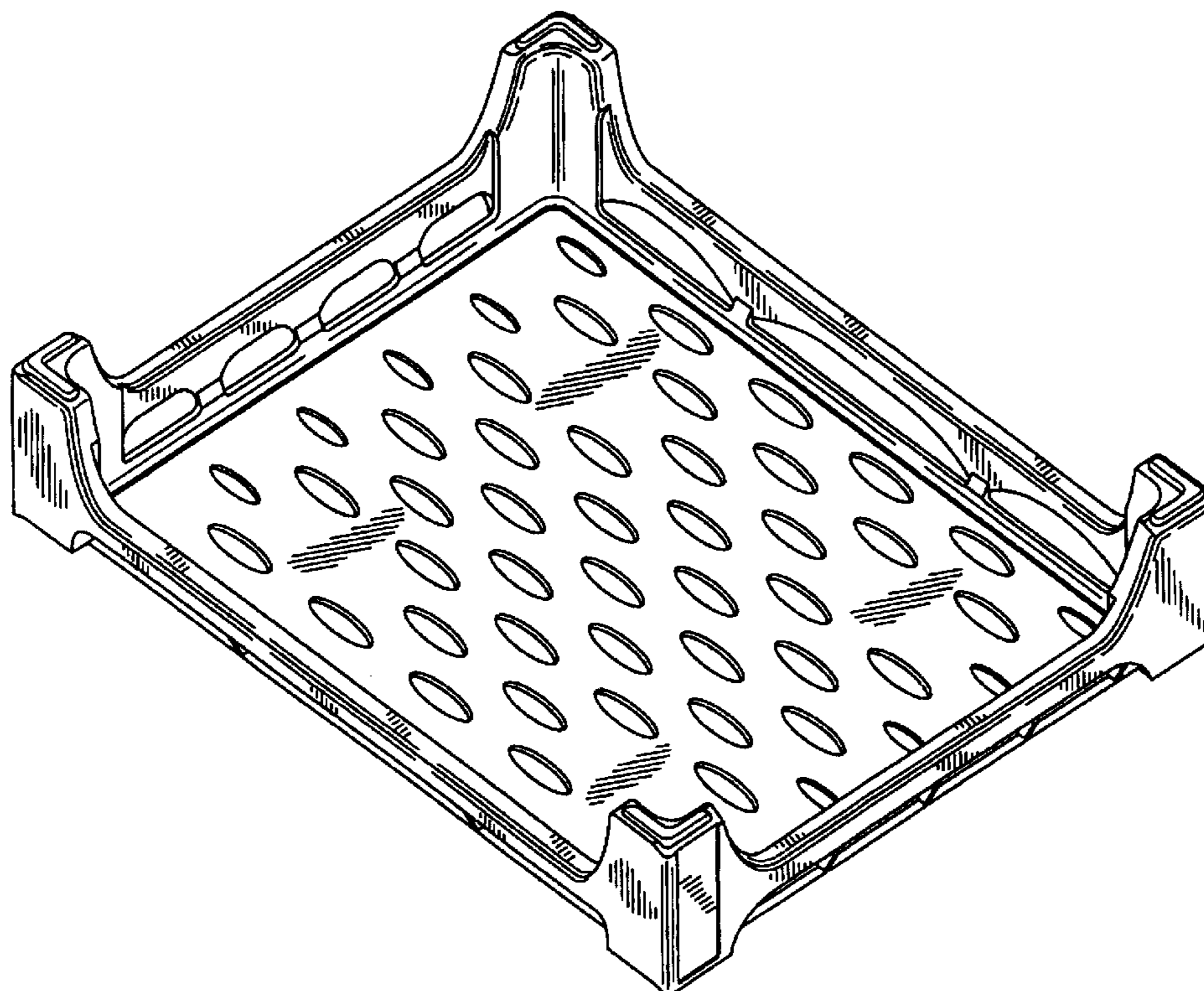
FIG. 1 is a front, left perspective view of a packaging crate showing my new design.

FIG. 2 is a left elevational view thereof, the right side being a mirror image thereof.

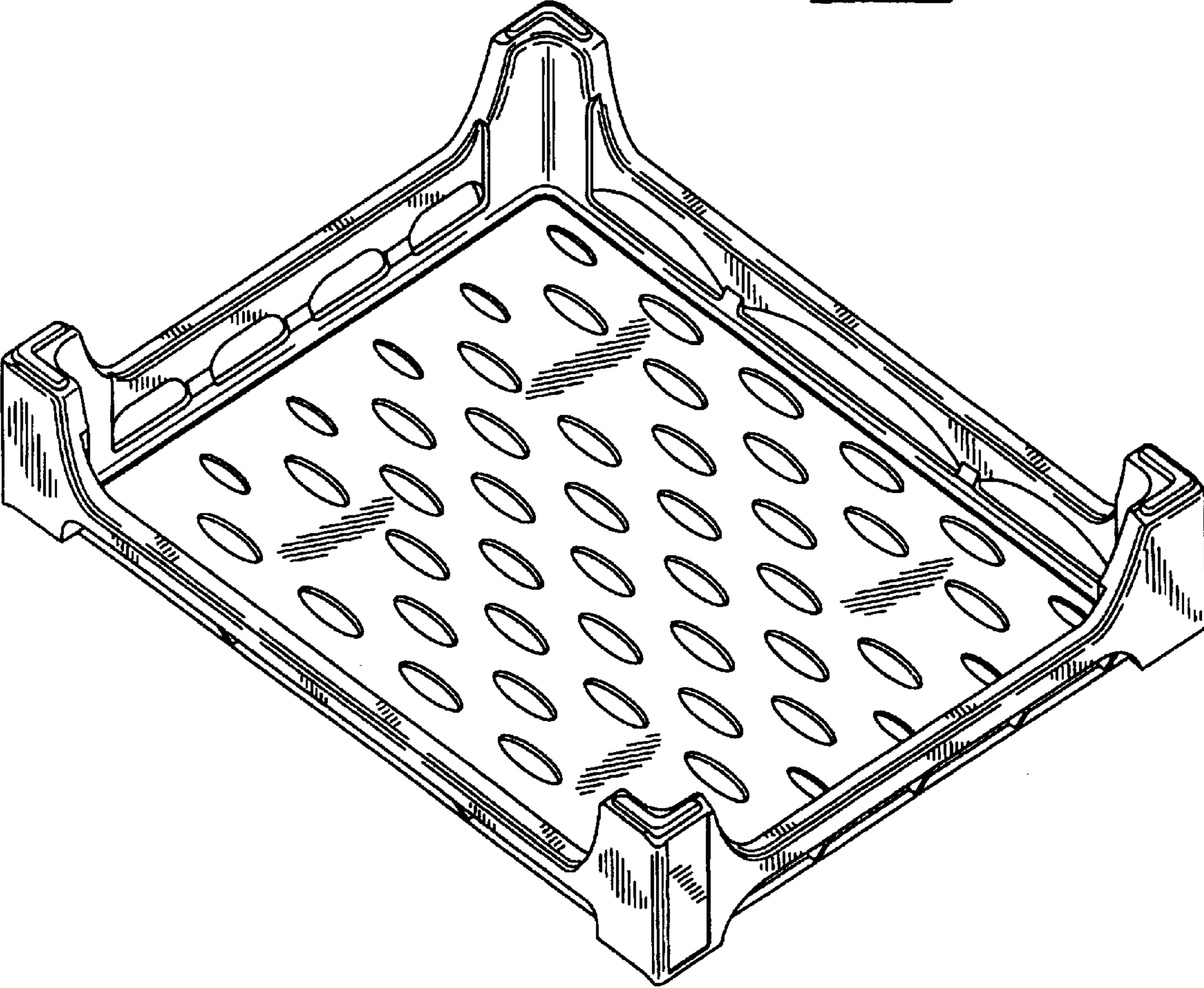
FIG. 3 is a front elevational view thereof, the rear being a mirror image thereof; and,

FIG. 4 is a bottom plan view thereof.

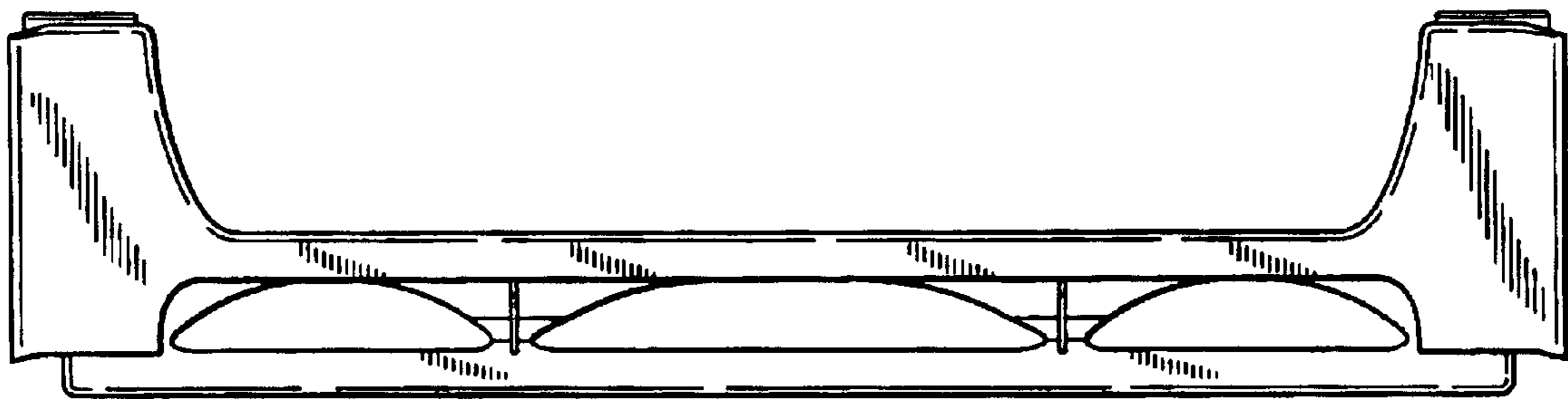
**1 Claim, 4 Drawing Sheets**



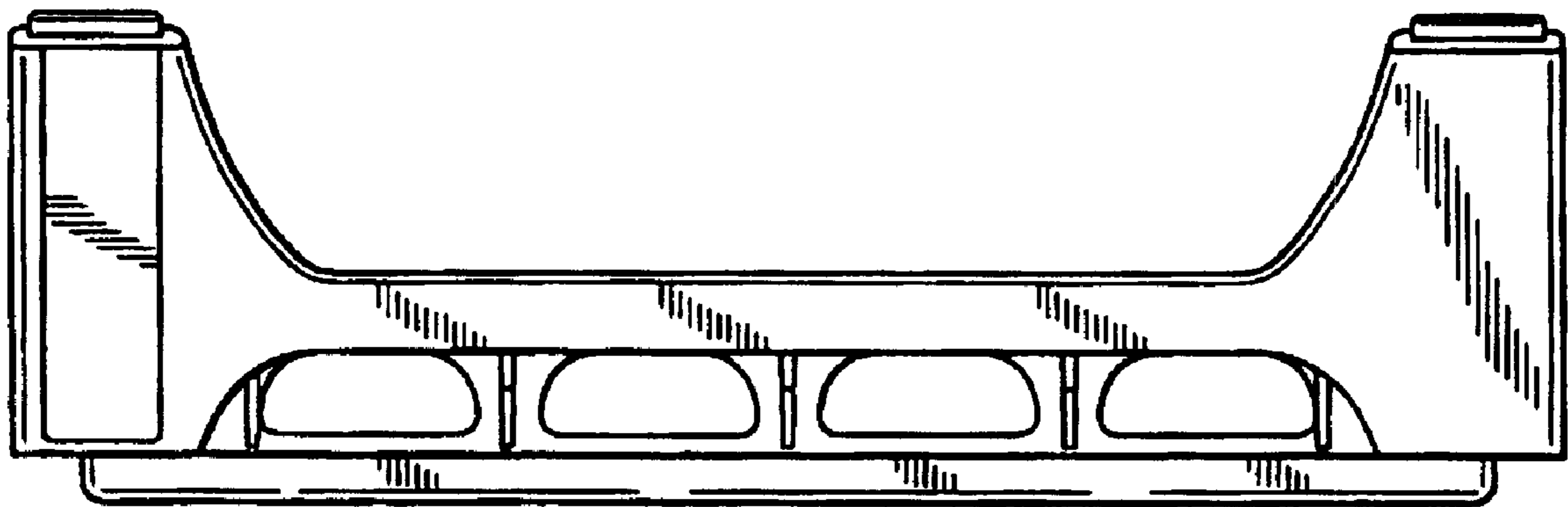
***Fig. 1***



***Fig. 2***



***Fig. 3***



***Fig. 4***

