

US00D540539S

(12) **United States Design Patent**
Gutierrez

(10) **Patent No.:** **US D540,539 S**
(45) **Date of Patent:** **** Apr. 17, 2007**

(54) **PROTECTIVE CASE FOR A MEMORY STORAGE DEVICE WHICH IS CONNECTABLE TO A COMPUTER OR AN MP3 PLAYER DEVICE**

D516,576 S * 3/2006 Ive et al. D14/496

(Continued)

OTHER PUBLICATIONS

(75) Inventor: **Greg Gutierrez**, Foothill Ranch, CA (US)

Griffin Technology iVault Aluminum Case for iPod Shuffle. Downloaded Oct. 24, 2006 at http://www.mediaatlantic.com/product.php/70089/0//5a552805fd556f40d920ebDeb998fba9bb8.*

(73) Assignee: **Griffin Technology, Inc.**, Nashville, TN (US)

Griffin iVault iPod shuffle Aluminum Case. Downloaded Oct. 24, 2006 at http://www.universitycomputers.com/ePOS/this_category=105&store=210&item_number=griffin_ivault...*

(**) Term: **14 Years**

(21) Appl. No.: **29/231,997**

Ipod Cases, item # IP-100, Ningbo Sanyou Industry Limited. Downloaded Oct. 24, 2006 at http://www.cameras-cases.com/ipod-cases-1000.htm.*

(22) Filed: **Jun. 13, 2005**

(51) **LOC (8) Cl.** **03-01**

(52) **U.S. Cl.** **D3/269; D3/302; D3/201; D14/496**

(58) **Field of Classification Search** D3/201, D3/218, 269, 273, 302; D6/407; D14/156, D14/356, 370, 433, 474, 483, 496; 224/610; 206/307, 307.1, 308.1

See application file for complete search history.

Primary Examiner—Philip S. Hyder

Assistant Examiner—RoseLynne (Ulm) Cody

(74) *Attorney, Agent, or Firm*—Michael E. McKee

(57) **CLAIM**

The ornamental design for a protective case for a memory storage device which is connectable to a computer or an MP3 player device, as shown and described.

(56) **References Cited**

DESCRIPTION

U.S. PATENT DOCUMENTS

5,648,757	A	*	7/1997	Vernace et al.	340/539.32
6,068,119	A	*	5/2000	Derr et al.	206/305
6,078,792	A	*	6/2000	Phillips	455/575.1
6,273,252	B1	*	8/2001	Mitchell	206/320
D472,245	S	*	3/2003	Andre et al.	D14/496
6,665,174	B1	*	12/2003	Derr et al.	361/681
D491,543	S	*	6/2004	Chang et al.	D14/138
6,769,603	B2	*	8/2004	Nagai et al.	235/375
D499,546	S	*	12/2004	Smithers	D3/218
D500,302	S	*	12/2004	Deguchi	D14/167
D500,485	S	*	1/2005	Deguchi	D14/167
D506,209	S	*	6/2005	Leong	D14/496
D510,081	S	*	9/2005	Yang	D14/156
D512,403	S	*	12/2005	Yang	D14/156
D514,121	S	*	1/2006	Johnson	D14/496

FIG. 1 is a perspective view of a protective case showing my new design;

FIG. 2 is a side elevational view thereof as seen from the left in FIG. 1, the right side elevational view thereof being a mirror image;

FIG. 3 is a front elevational view thereof as seen from the right in FIG. 2;

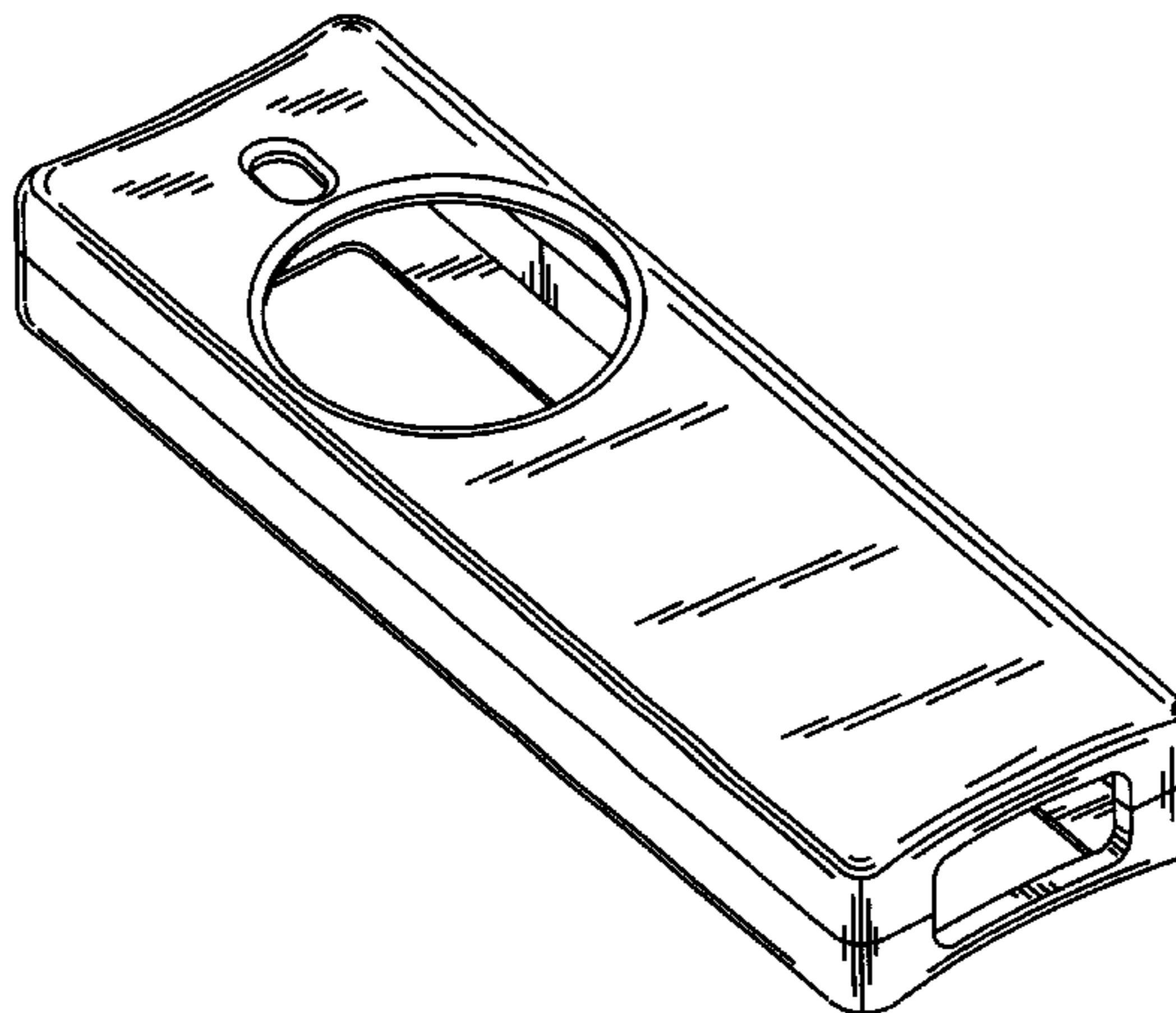
FIG. 4 is a top view thereof;

FIG. 5 is a back view thereof; and,

FIG. 6 is a bottom view thereof.

The four circular elements shown in broken lines in FIG. 6 represent portions of the design that form no part of the claim.

1 Claim, 2 Drawing Sheets



US D540,539 S

Page 2

U.S. PATENT DOCUMENTS

D526,331 S	*	8/2006	Lee	D14/496	D530,079 S	*	10/2006	Thomas et al.	D3/218
D526,780 S	*	8/2006	Richardson et al.	D3/273	D530,340 S	*	10/2006	Andre et al.	D14/496
D527,015 S	*	8/2006	Yang	D14/496	2003/0223286 A1	*	12/2003	Lee	365/200
D527,176 S	*	8/2006	Andre et al.	D3/218	2005/0127123 A1	*	6/2005	Smithers	224/610
D529,044 S	*	9/2006	Andre et al.	D14/496						

* cited by examiner

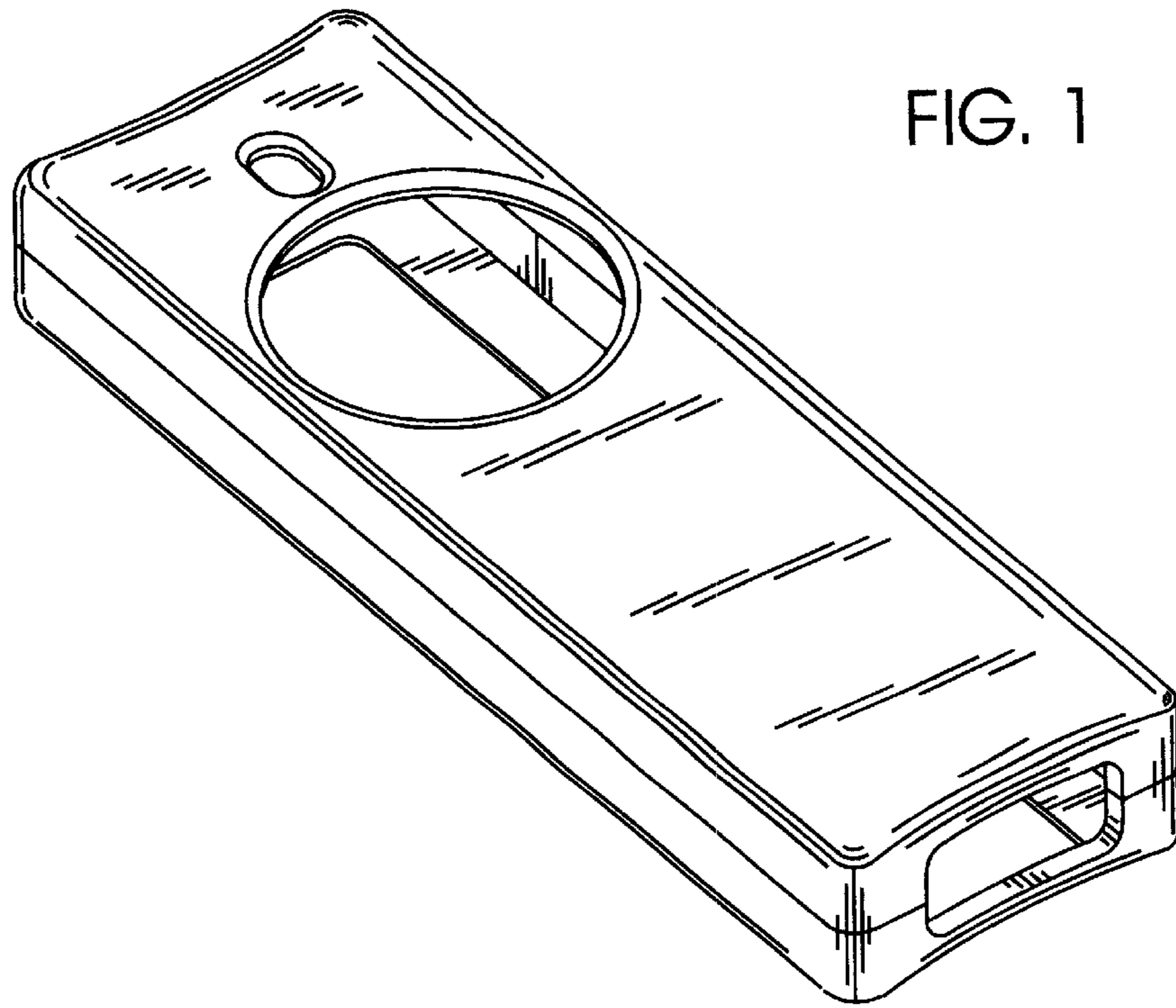


FIG. 1

FIG. 2

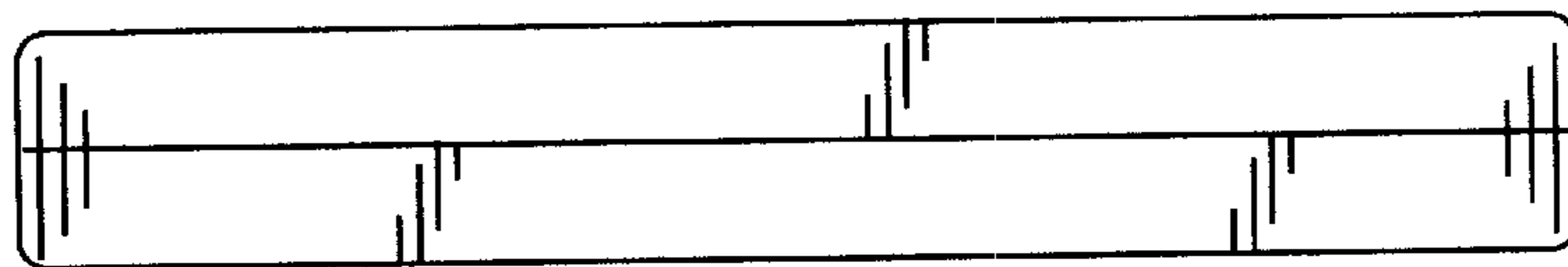


FIG. 3

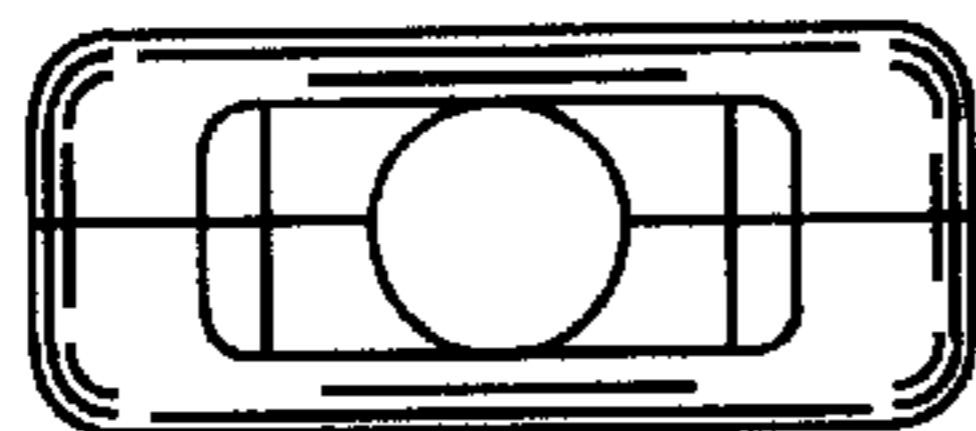


FIG. 5

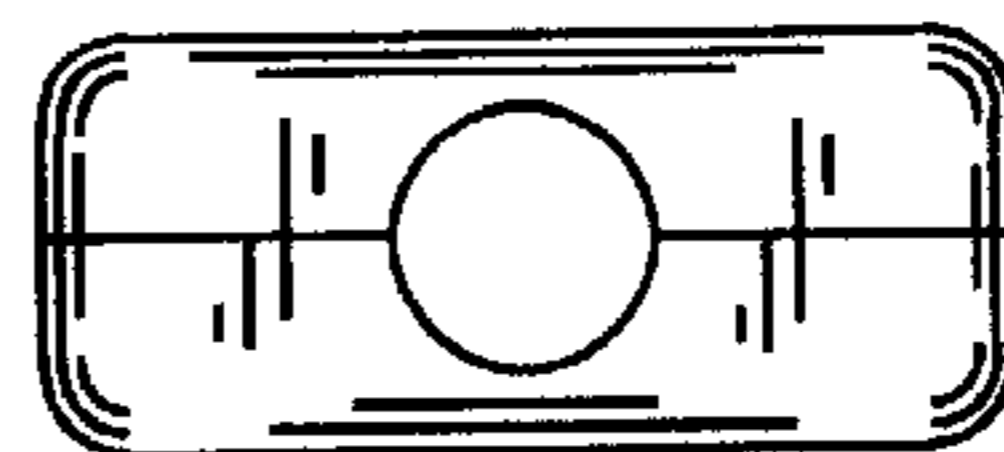


FIG. 4

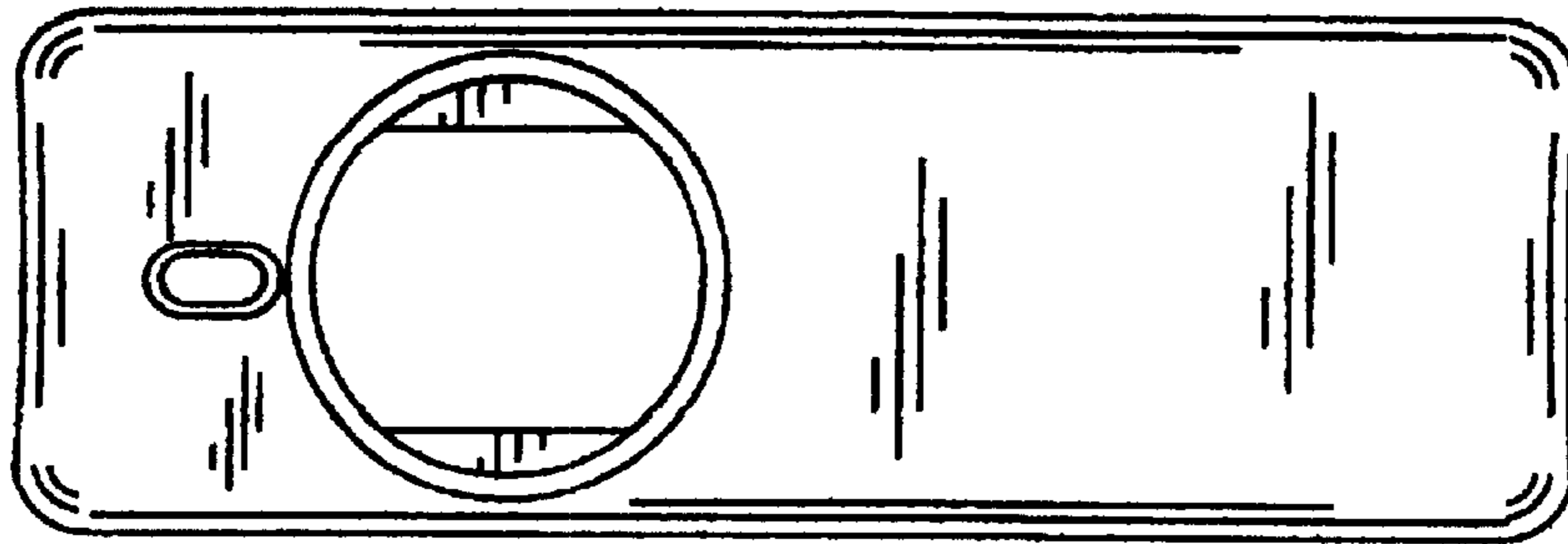


FIG. 6

