

US00D540536S

(12) **United States Design Patent**
Lam

(10) **Patent No.:** **US D540,536 S**

(45) **Date of Patent:** **** Apr. 17, 2007**

(54) **MEDI-CHEST**

D447,621 S * 9/2001 Lehn D3/203.1
D512,216 S * 12/2005 Joyce D3/203.6

(75) Inventor: **Raymond Lam**, Hong Kong (HK)

* cited by examiner

(73) Assignee: **C&L Elegance Manufactory Limited**,
Kowloon (HK)

Primary Examiner—Charles R. Oliver
(74) *Attorney, Agent, or Firm*—Law Office of Sergei Orel,
LLC

(**) Term: **14 Years**

(57) **CLAIM**

(21) Appl. No.: **29/240,074**

The ornamental design for a medi-chest, as shown and described.

(22) Filed: **Oct. 7, 2005**

(30) **Foreign Application Priority Data**

DESCRIPTION

Apr. 8, 2005 (HK) 0500698

FIG. 1 is a front elevation view of the medi-chest showing my new design;

(51) **LOC (8) Cl.** **03-01**

FIG. 2 is a top plan view thereof;

(52) **U.S. Cl.** **D3/203.6**

FIG. 3 is a bottom plan view thereof;

(58) **Field of Classification Search** D3/203.1,
D3/203.3, 203.6, 203.7, 203.8, 205, 273,
D3/289, 301, 294, 457, 803; 206/530-534;
150/117

FIG. 4 is a rear elevation view thereof;

FIG. 5 is a right side elevation view thereof;

FIG. 6 is a left side elevation view thereof;

FIG. 7 is a front perspective view thereof;

FIG. 8 is an exploded perspective view of the medi-chest;
and,

FIG. 9 is an alternate exploded perspective view.

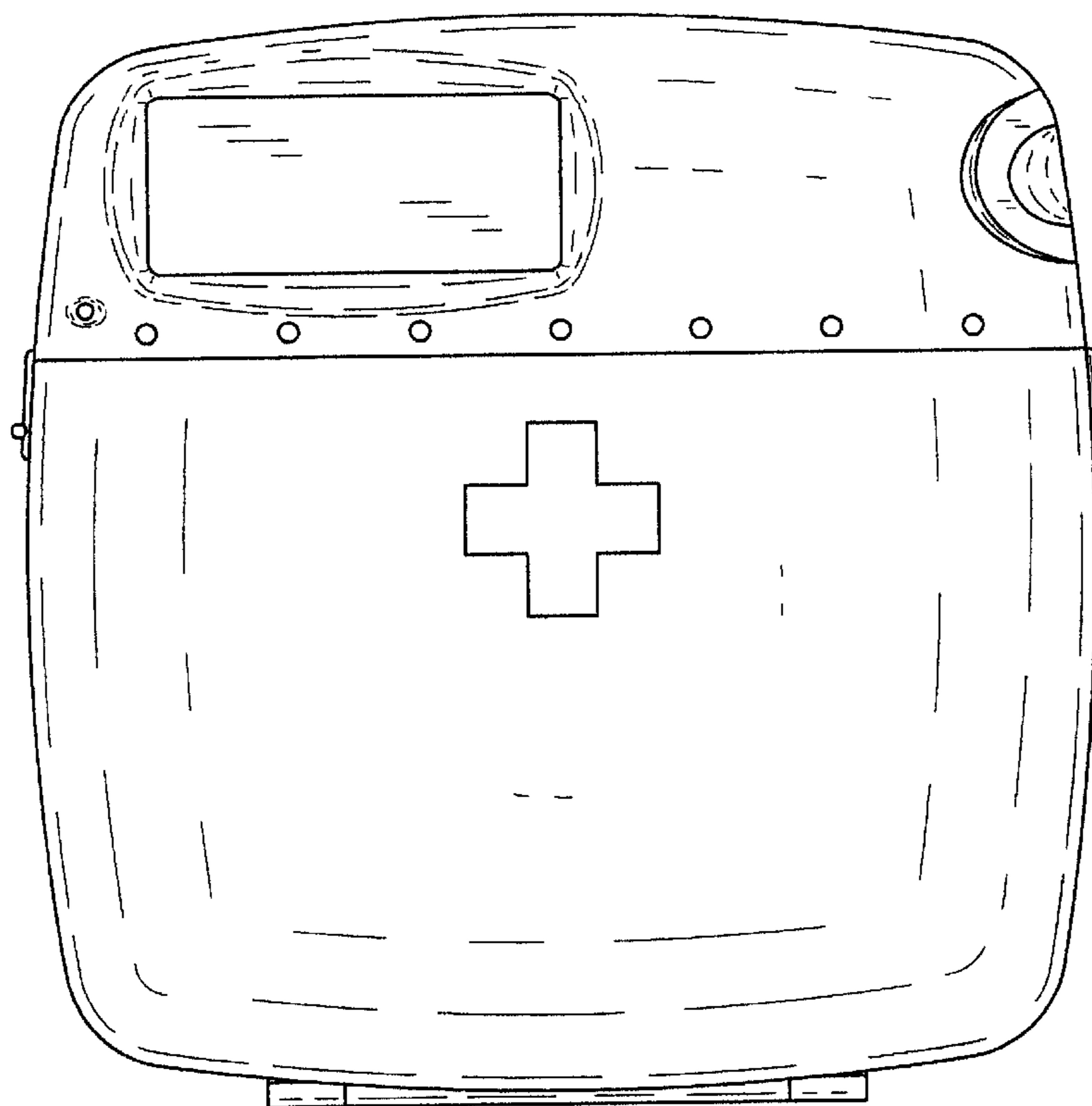
See application file for complete search history.

(56) **References Cited**

U.S. PATENT DOCUMENTS

D425,294 S * 5/2000 Haverstick D3/203.1

1 Claim, 6 Drawing Sheets



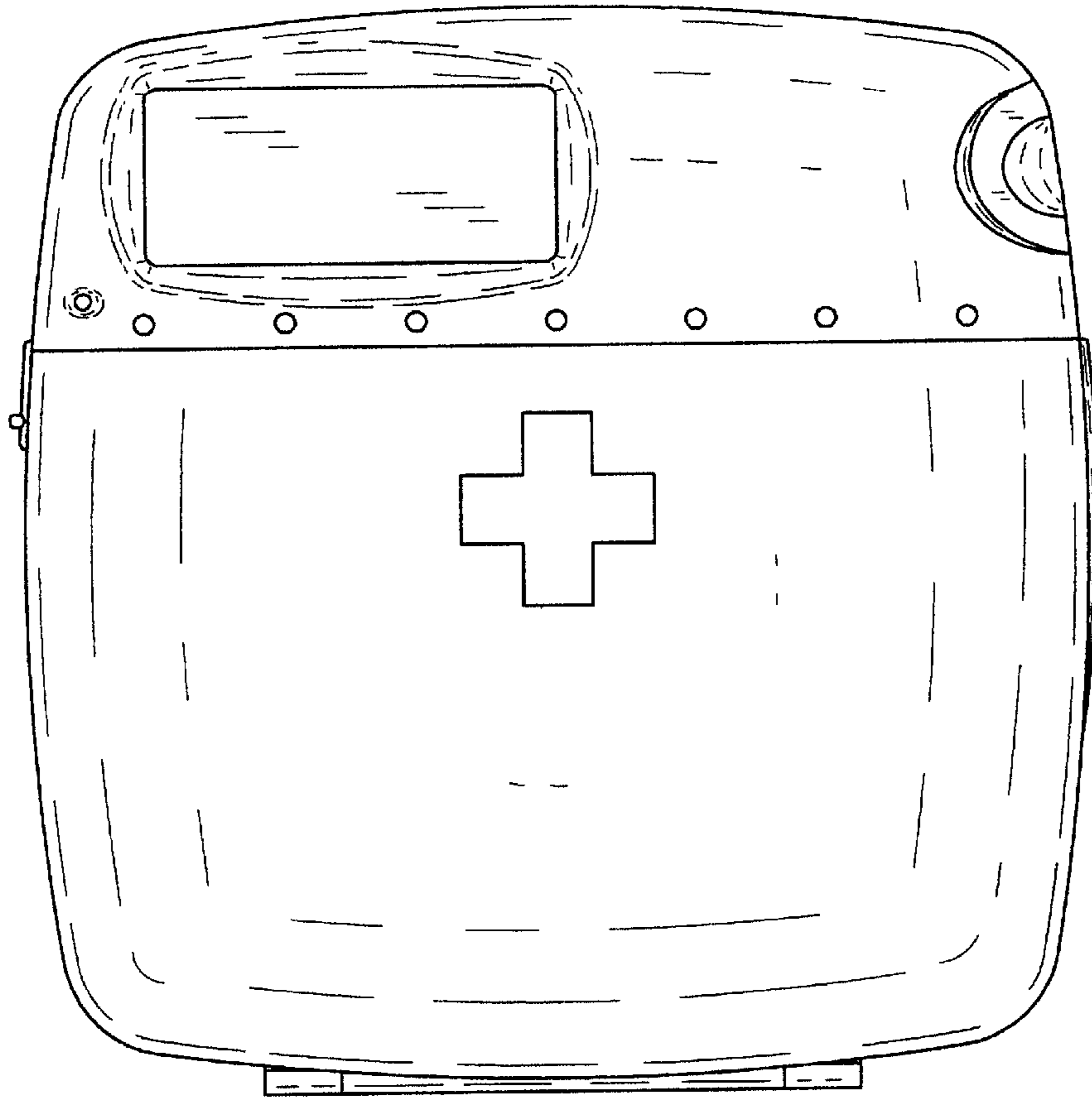


Fig.1



Fig.2

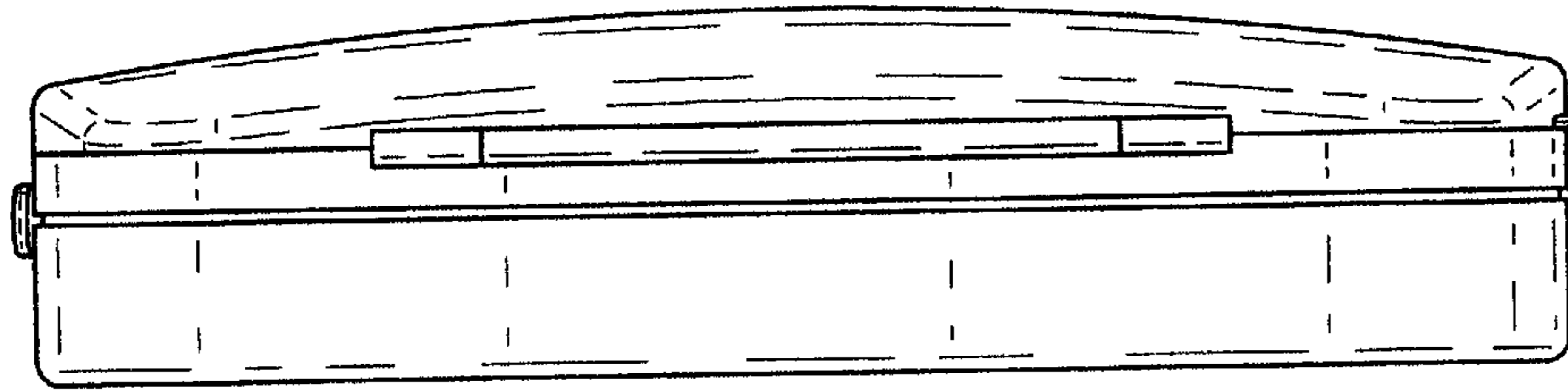


Fig.3

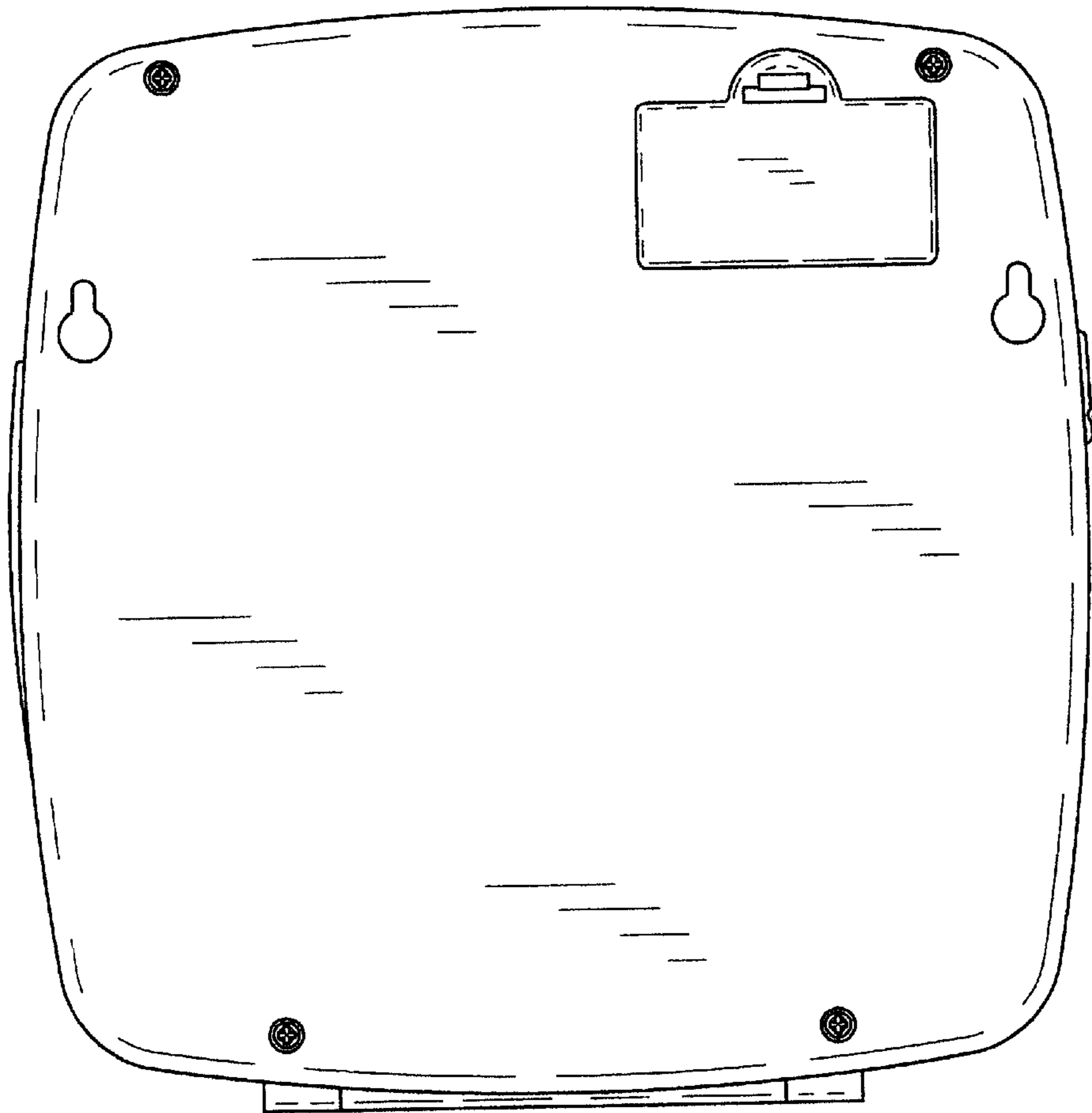


Fig.4

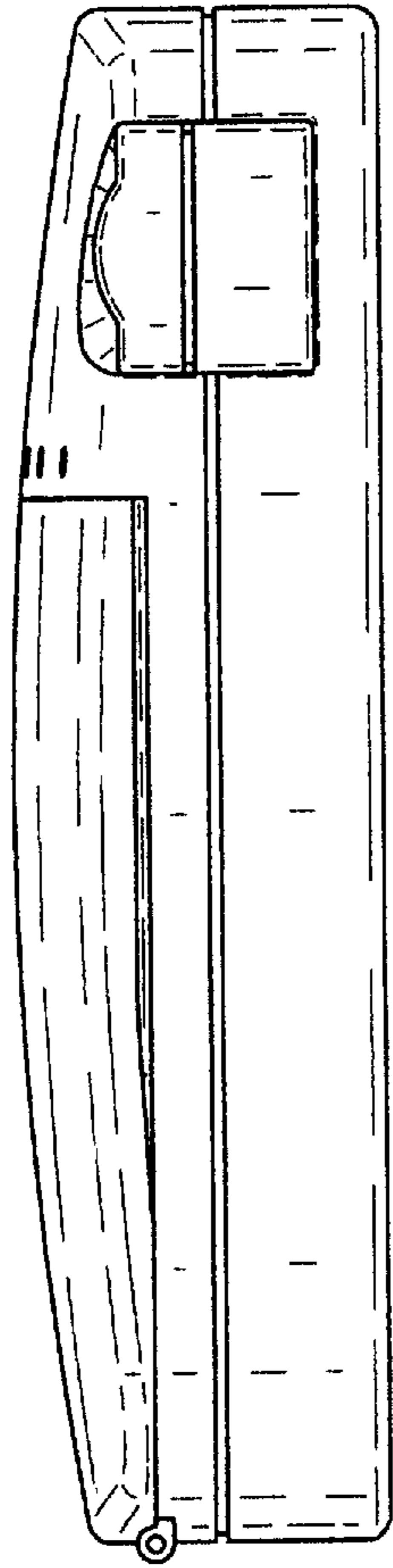


Fig.5

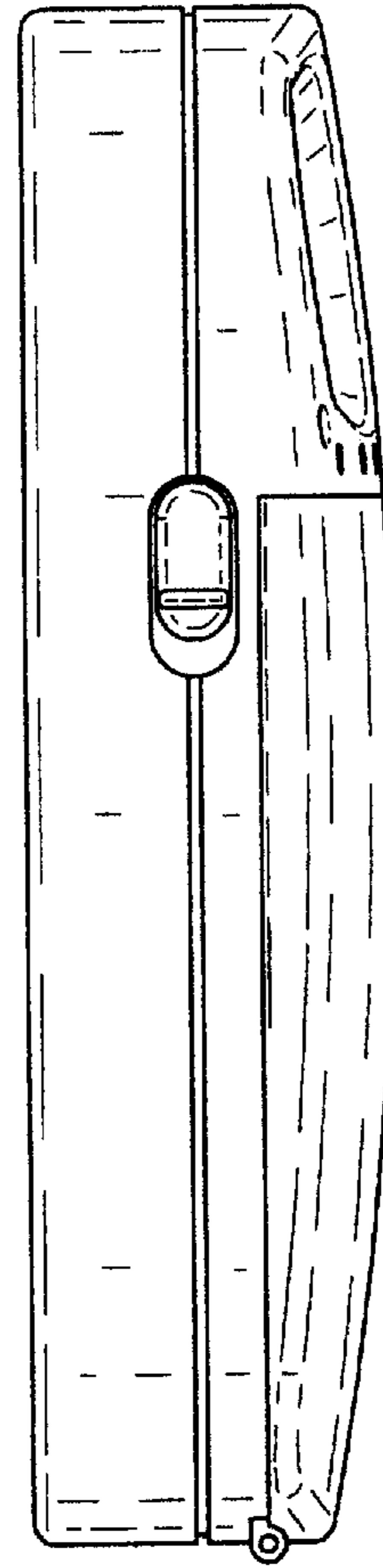


Fig.6

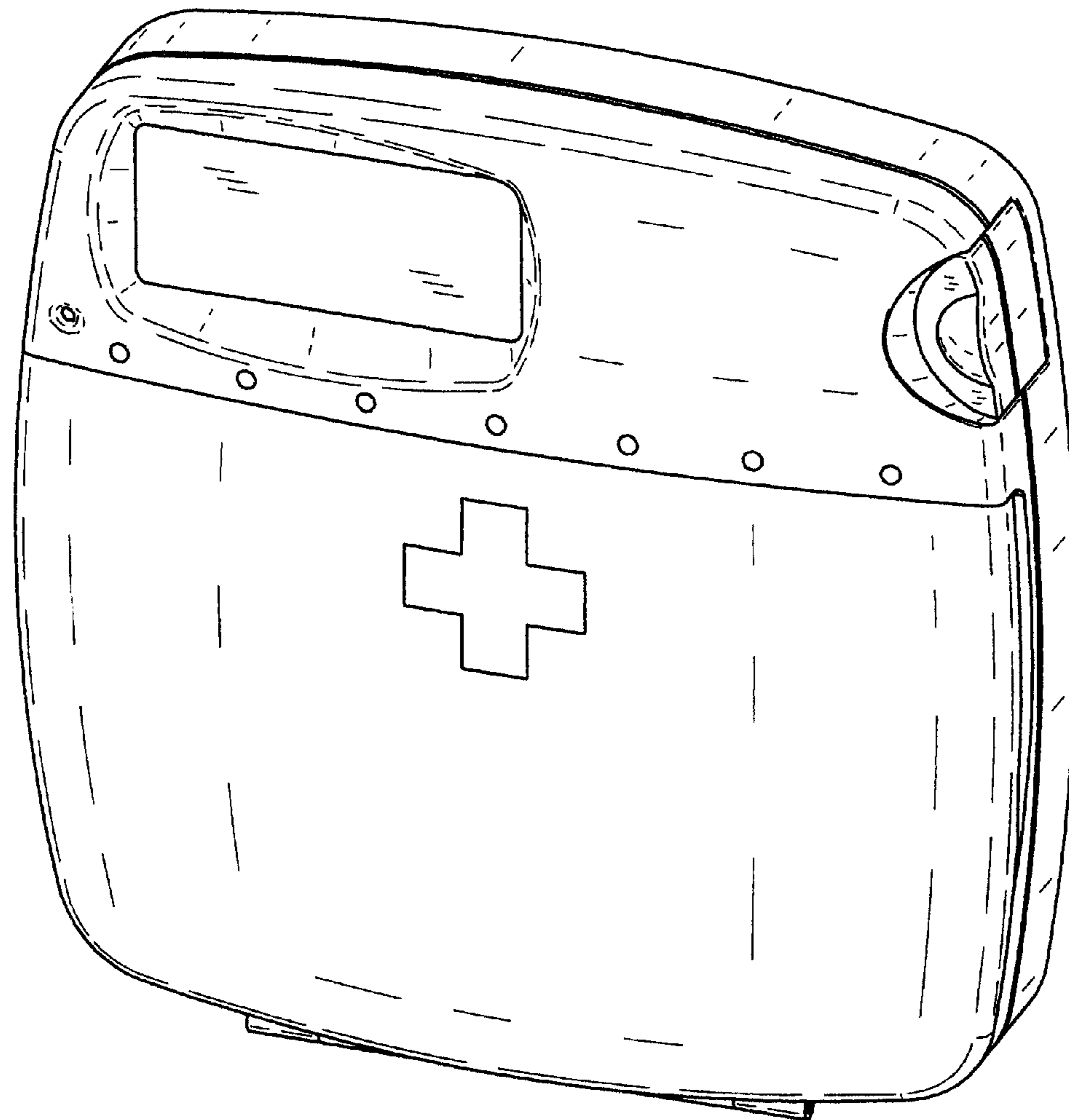


Fig.7

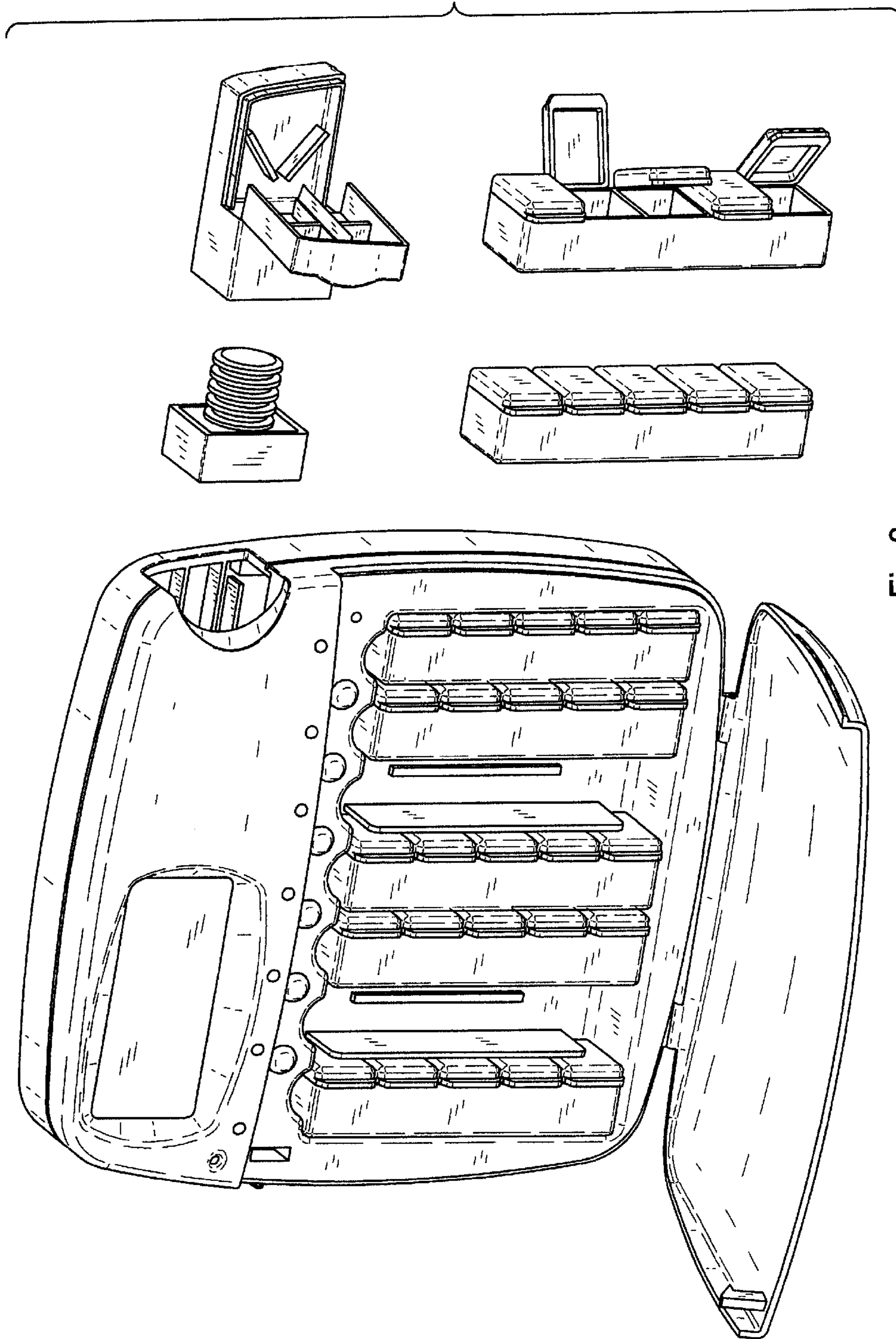


Fig.8

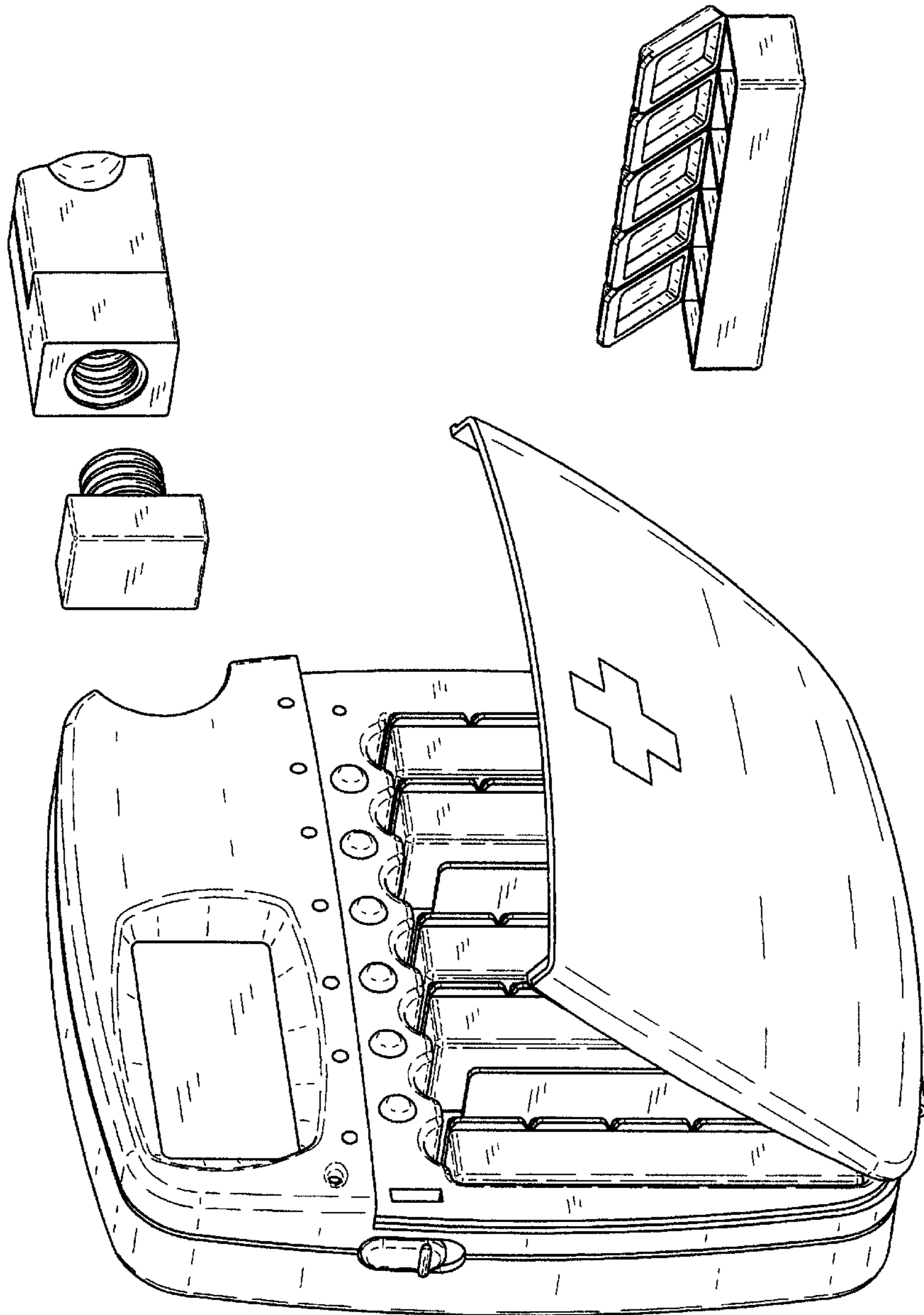


Fig.9