



US00D540534S

(12) **United States Design Patent**  
**Chan**

(10) **Patent No.:** **US D540,534 S**

(45) **Date of Patent:** **\*\* Apr. 17, 2007**

(54) **WALKING STICK**

(76) Inventor: **Eddie Man-Ying Chan**, Unit 901,  
Peninsula Square, No. 18 Sung On  
Street, Hunghom, Kowloon, Hong Kong  
(CN)

(\*\*) Term: **14 Years**

(21) Appl. No.: **29/238,459**

(22) Filed: **Sep. 14, 2005**

(51) **LOC (8) Cl.** ..... **03-03**

(52) **U.S. Cl.** ..... **D3/7**

(58) **Field of Classification Search** ..... D3/5-17;  
135/65-68, 72, 73, 76, 77, 911, 75; D12/130,  
D12/133, 105

See application file for complete search history.

(56) **References Cited**

**U.S. PATENT DOCUMENTS**

1,905,076	A	*	4/1933	Sciver	.....	135/66
5,176,160	A	*	1/1993	Osborn	.....	135/66
D349,144	S	*	7/1994	Greene	.....	D3/8
5,392,800	A	*	2/1995	Sergi	.....	135/65
5,582,196	A	*	12/1996	Hae et al.	.....	135/65

5,640,985	A	*	6/1997	Snyder et al.	.....	135/65
D417,068	S	*	11/1999	Swercheck et al.	.....	D3/7
D441,950	S	*	5/2001	Suen	.....	D3/7
D465,914	S	*	11/2002	Hayden et al.	.....	D3/7
6,651,684	B2	*	11/2003	Spitzer	.....	135/78
6,951,224	B2	*	10/2005	Garrett	.....	135/66

\* cited by examiner

*Primary Examiner*—Louis S. Zarfaz

*Assistant Examiner*—Anhdao Doan

(74) *Attorney, Agent, or Firm*—Alix, Yale & Ristas, LLP

(57) **CLAIM**

The ornamental design for a walking stick, as shown and described.

**DESCRIPTION**

FIG. 1 is a front elevational view of a walking stick showing my new design;

FIG. 2 is a right side elevational view thereof.

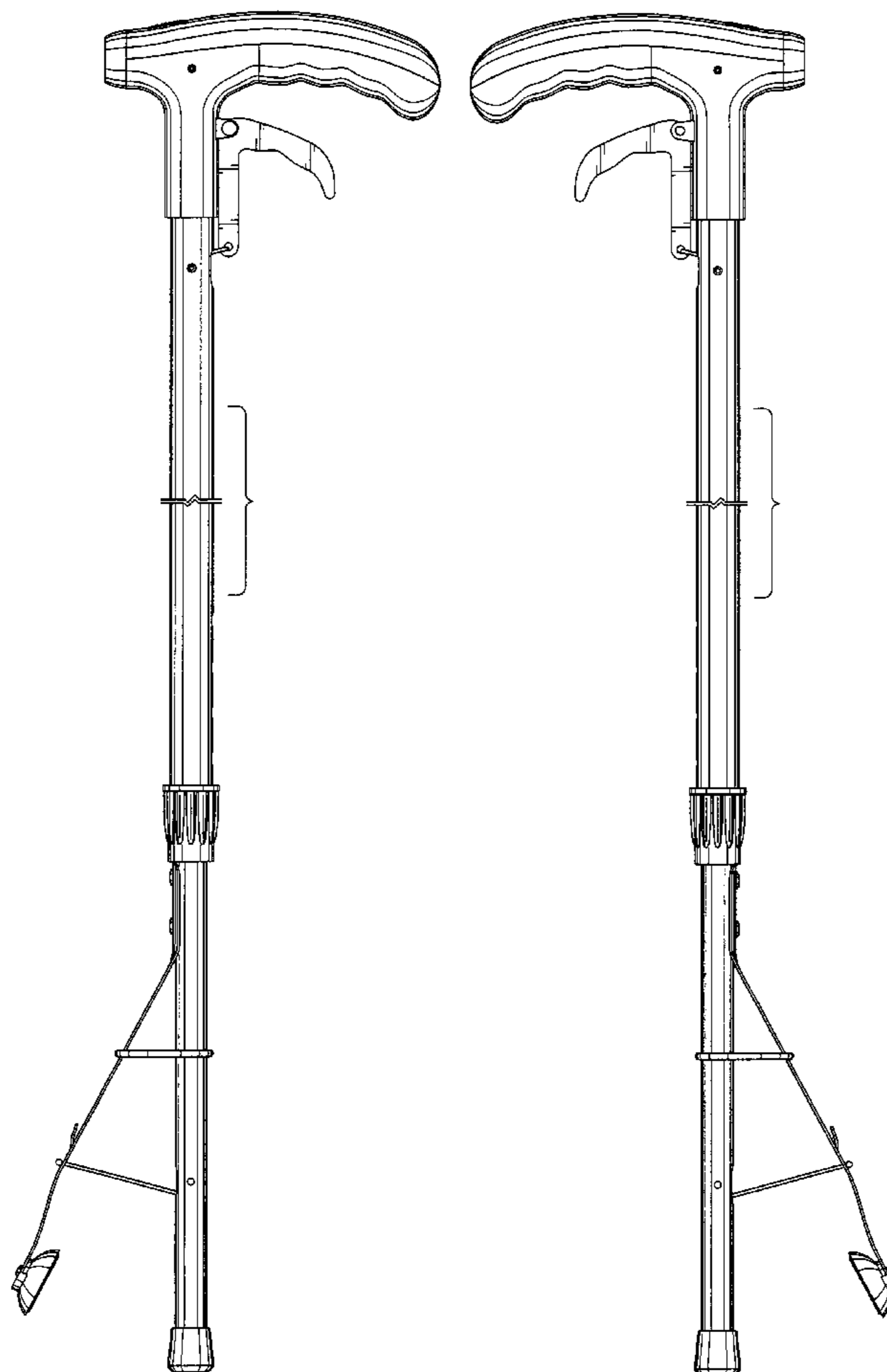
FIG. 3 is a left side elevational view thereof;

FIG. 4 is a rear elevational view thereof;

FIG. 5 is a top plan view thereof; and,

FIG. 6 is a bottom plan view thereof.

**1 Claim, 3 Drawing Sheets**



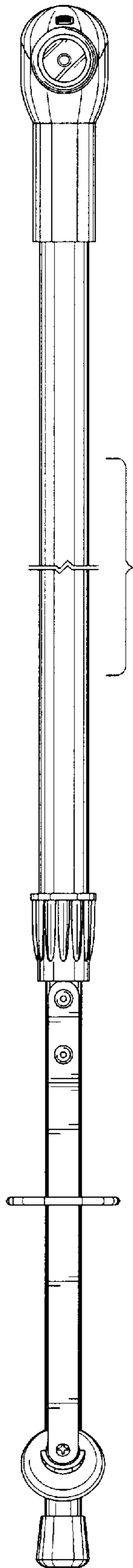


FIG. 1

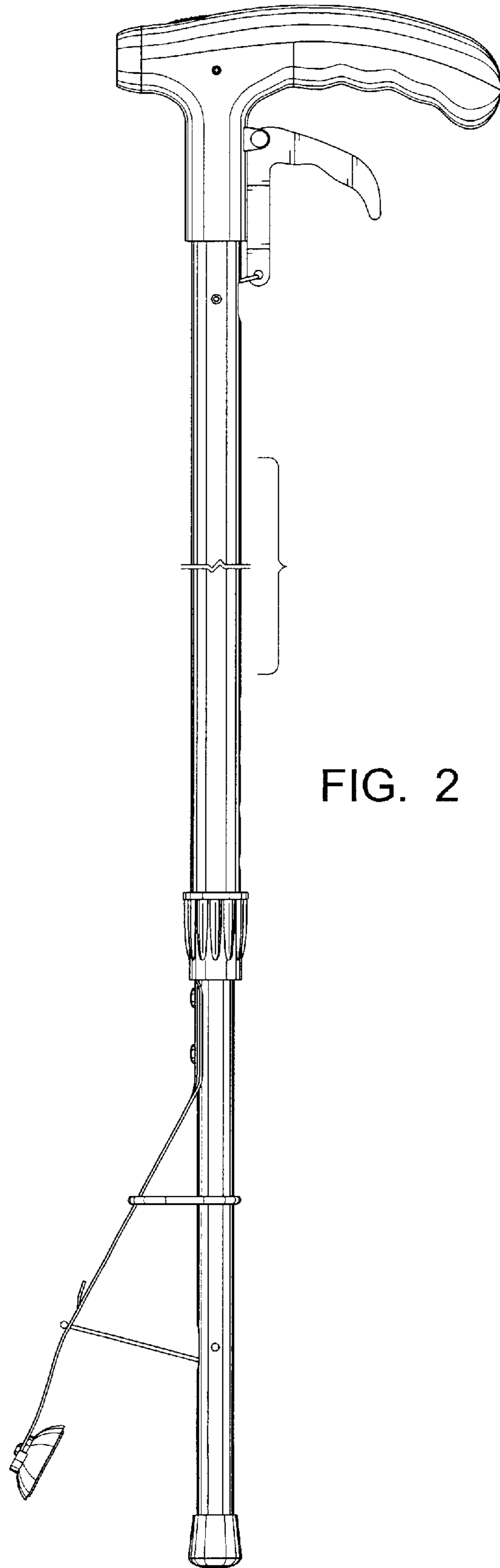


FIG. 2

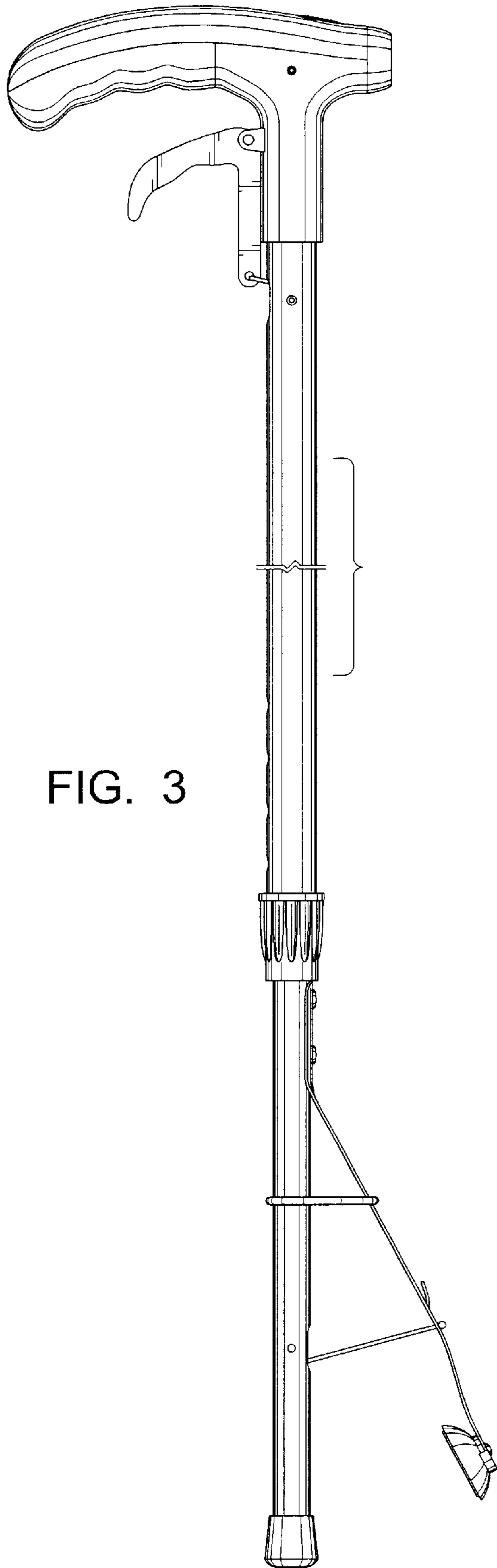


FIG. 3

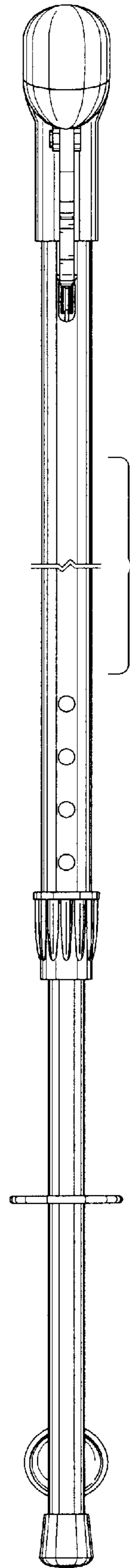


FIG. 4

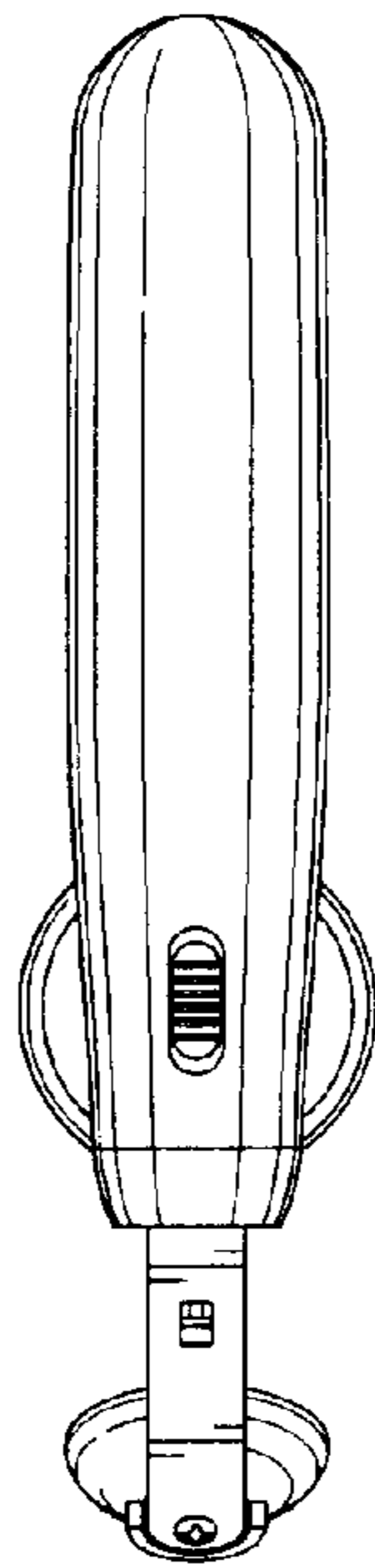


FIG. 5

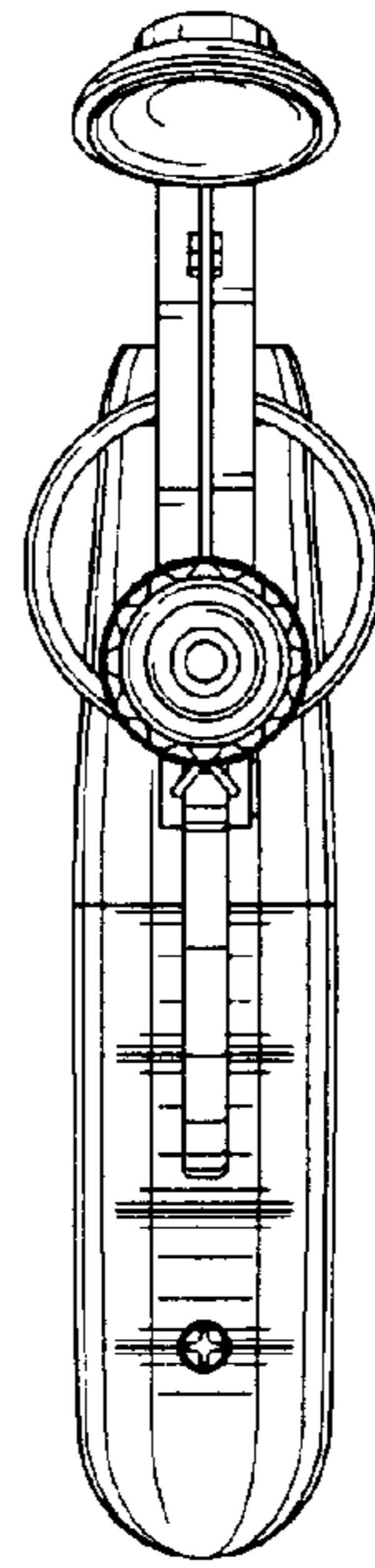


FIG. 6