

US00D540514S

(12) **United States Design Patent**  
**Hendricks**

(10) **Patent No.:** **US D540,514 S**

(45) **Date of Patent:** **\*\* Apr. 17, 2007**

(54) **COMBINED FOOTWEAR AND  
DETACHABLE ORNAMENTATION**

(76) Inventor: **Linda D. Hendricks**, 6000 Bear Creek,  
Apt. #515, Bedford Heights, OH (US)  
44146

(\*\*) Term: **14 Years**

(21) Appl. No.: **29/230,120**

(22) Filed: **May 18, 2005**

(51) **LOC (8) Cl.** ..... **02-04**

(52) **U.S. Cl.** ..... **D2/916**

(58) **Field of Classification Search** ..... D2/896,  
D2/900, 916-918, 928, 929, 939, 946, 953,  
D2/960, 969, 976; 36/11.5

See application file for complete search history.

(56) **References Cited**

U.S. PATENT DOCUMENTS

2,748,517 A	6/1956	Berkis	
2,801,477 A	8/1957	Adams et al.	
D321,775 S	* 11/1991	Barcanic	D2/916
D388,943 S	* 1/1998	Mangee	D2/952
6,012,203 A	1/2000	Baron Pearson	
D421,520 S	* 3/2000	Lawrence et al.	D2/916

D425,680 S	* 5/2000	Payne	D32/43
6,212,797 B1	4/2001	Merry et al.	
D446,633 S	* 8/2001	Ferris	D2/917
D450,178 S	* 11/2001	Boncutter	D2/917
D455,540 S	4/2002	Fletcher, III et al.	
6,442,869 B2	* 9/2002	Coomes	36/11.5
D475,510 S	* 6/2003	Reynolds	D2/953
D498,903 S	* 11/2004	Issler	D2/953
2003/0177665 A1	9/2003	Monassebian	

\* cited by examiner

*Primary Examiner*—Stella Reid

*Assistant Examiner*—Rashida C. McCoy

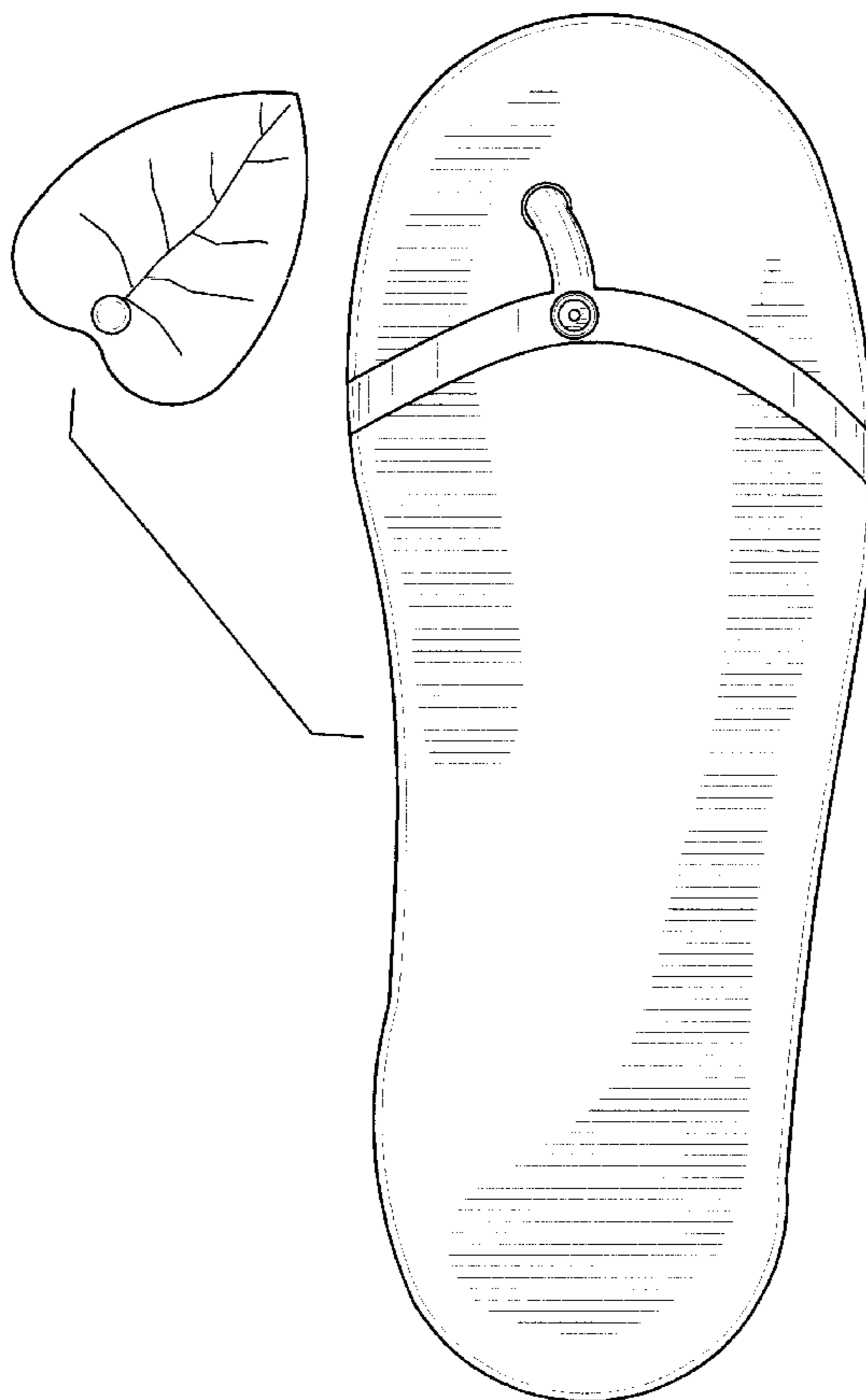
(57) **CLAIM**

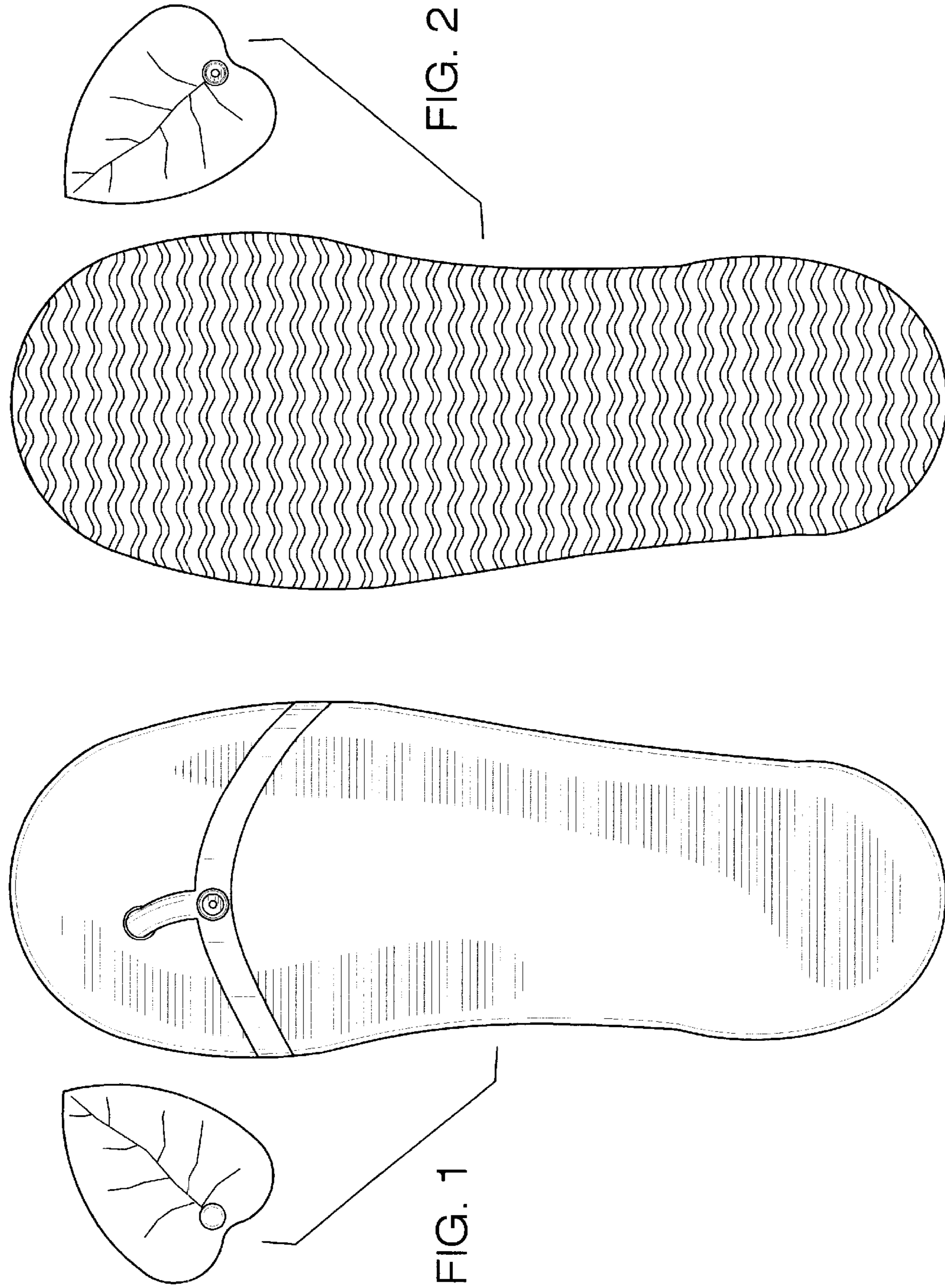
The ornamental design for a combined footwear and detachable ornamentation, as shown and described.

**DESCRIPTION**

FIG. 1 is a top plan view of a combined footwear and detachable ornamentation showing my new design; FIG. 2 is a bottom plan view thereof; FIG. 3 is a right side elevational view thereof; FIG. 4 is a left side elevational view thereof; FIG. 5 is a front elevational view thereof; and, FIG. 6 is a rear elevational view thereof.

**1 Claim, 3 Drawing Sheets**





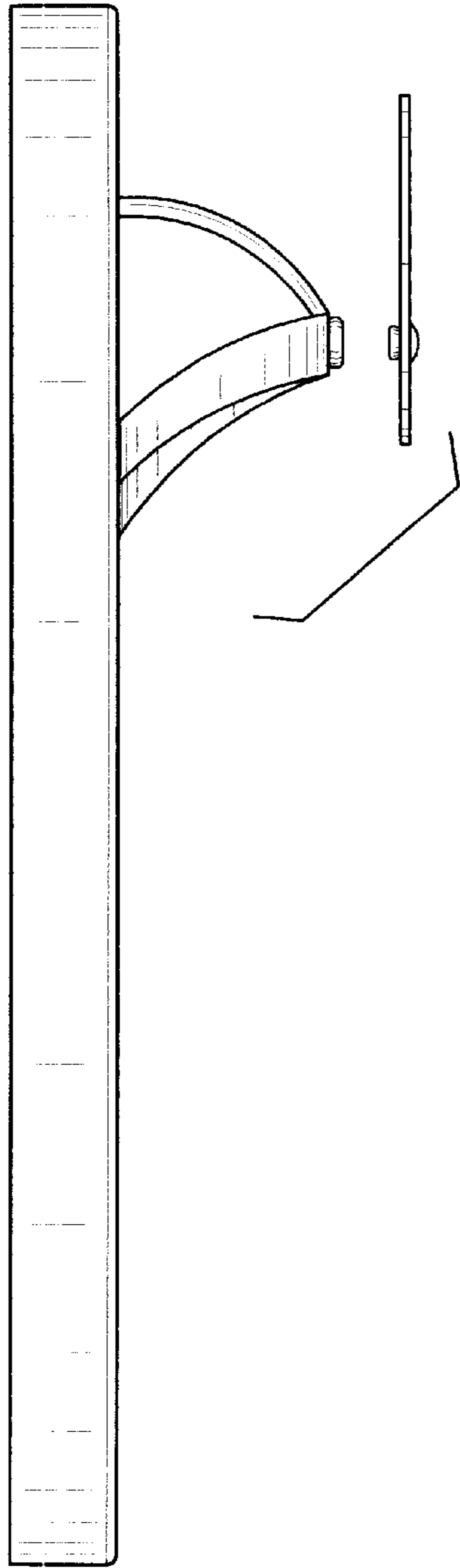


FIG. 3

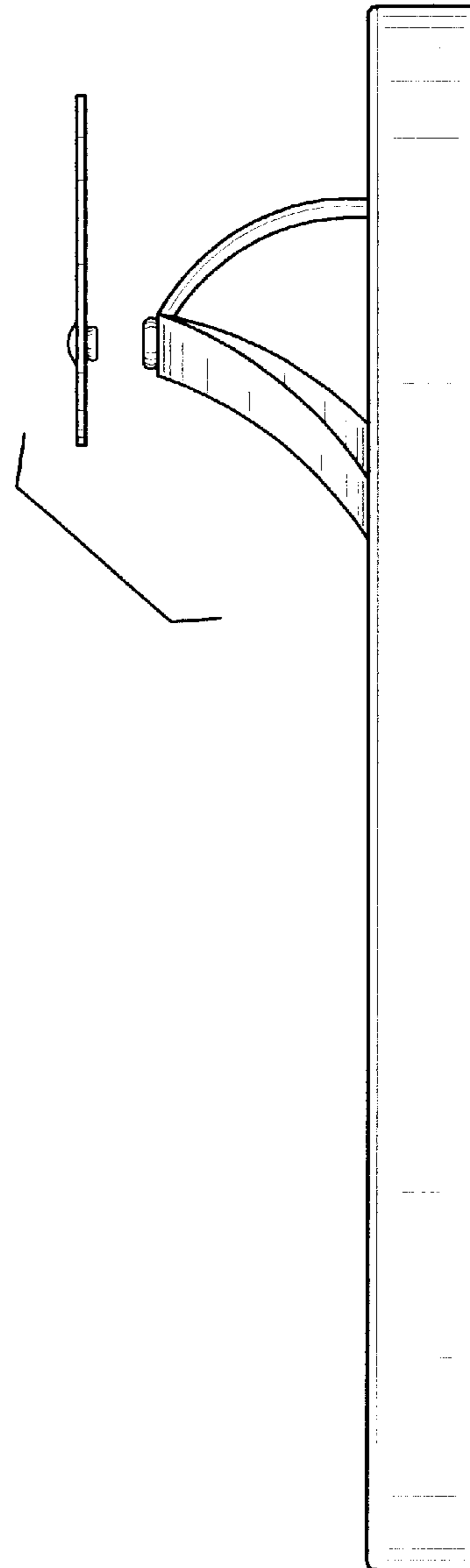


FIG. 4

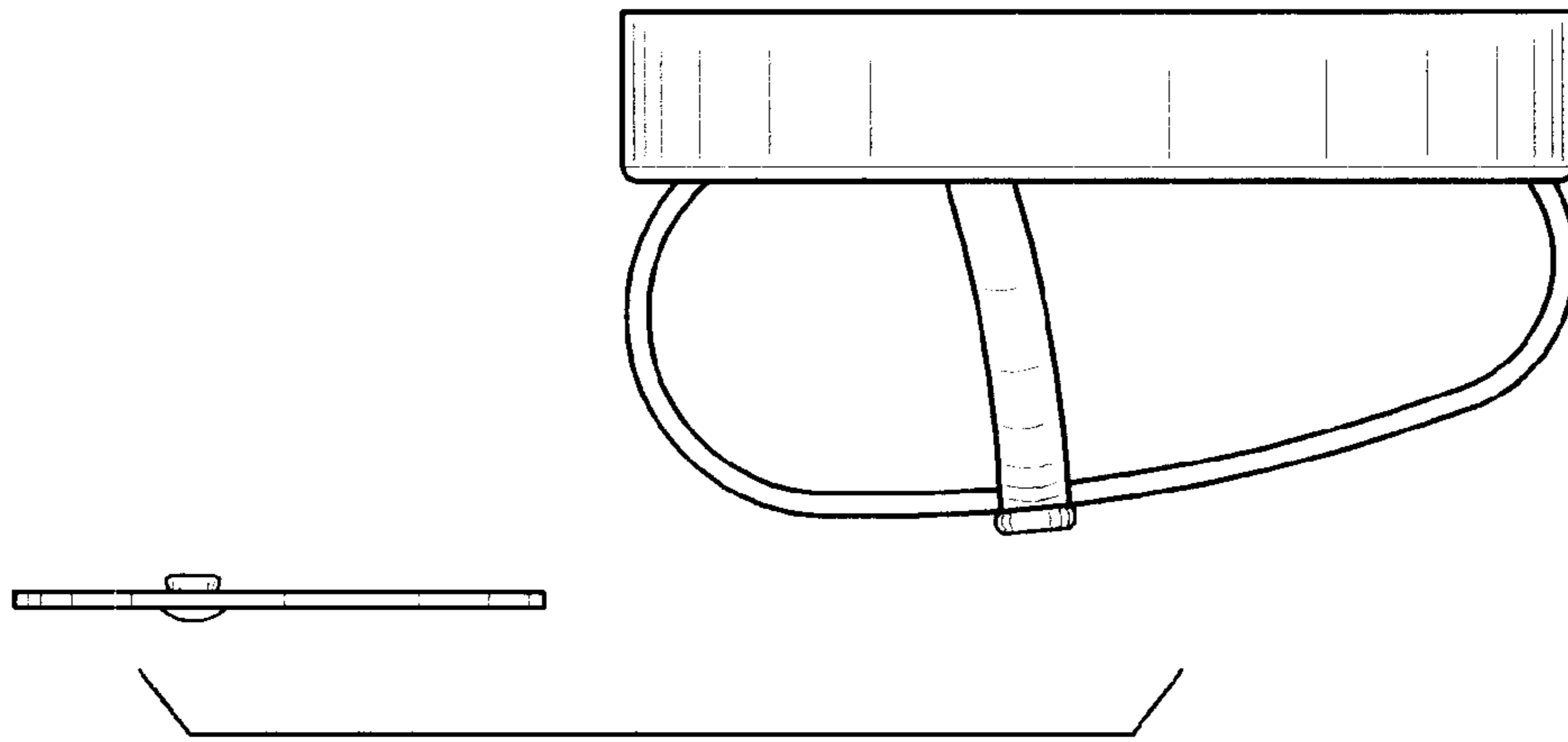


FIG. 5

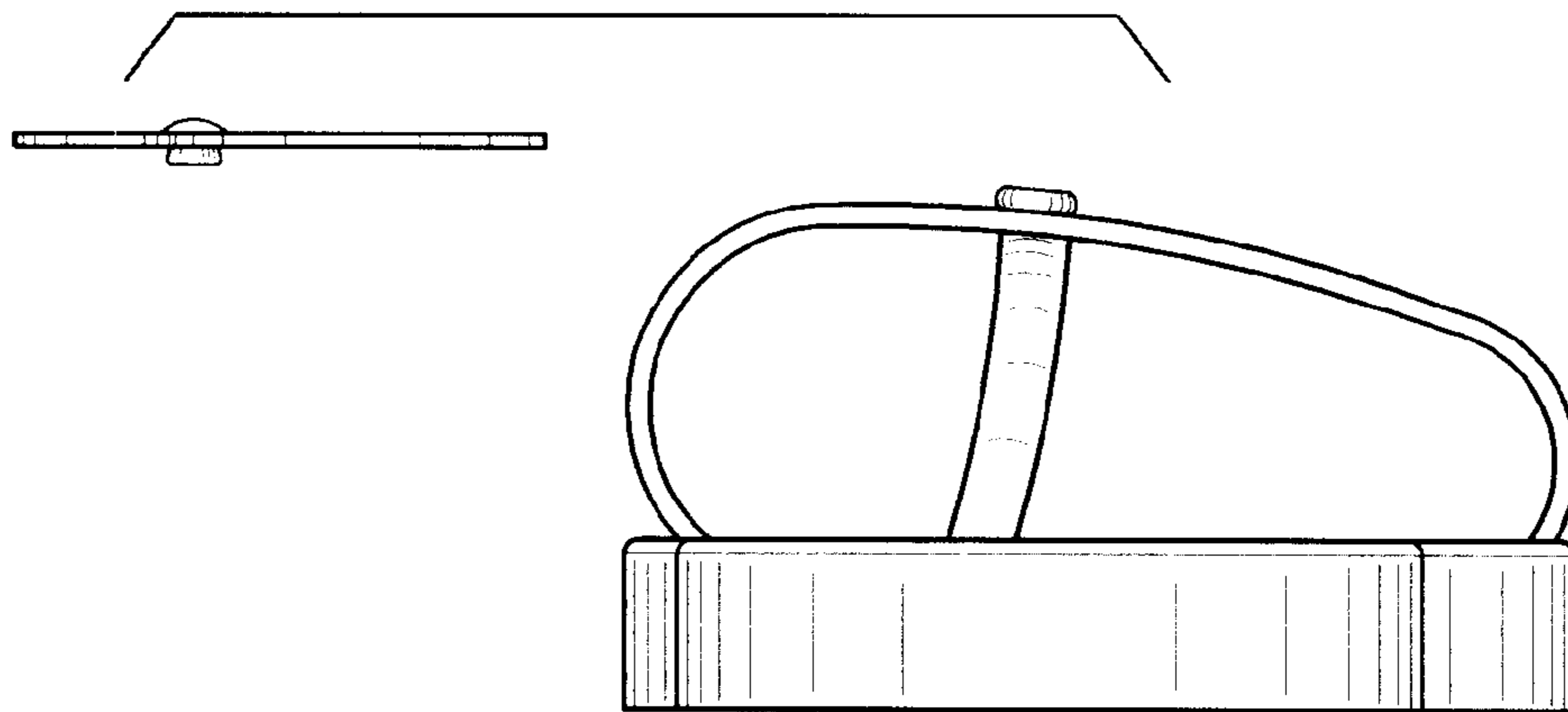


FIG. 6