

US00D540511S

(12) **United States Design Patent**  
**Toomer**

(10) **Patent No.:** **US D540,511 S**

(45) **Date of Patent:** **\*\* Apr. 17, 2007**

(54) **BIB**

(76) Inventor: **Charles H. Toomer**, 9813 Bella  
Marche Dr., Charlotte, NC (US) 28227

(\*\*) Term: **14 Years**

(21) Appl. No.: **29/236,769**

(22) Filed: **Aug. 22, 2005**

(51) **LOC (8) Cl.** ..... **02-02**

(52) **U.S. Cl.** ..... **D2/864; D2/861**

(58) **Field of Classification Search** ..... D2/738,  
D2/740, 742, 747, 748, 823, 828, 861, 857,  
D2/860, 863, 864, 720, 839, 841, 850; 2/48,  
2/49.1, 49.2, 50, 49.3, 49.4, 49.5, 87, 93,  
2/98, 102, 104, 79, 129, 227, 242, 46, 69,  
2/2.15, 911; 250/516.1

See application file for complete search history.

(56) **References Cited**

**U.S. PATENT DOCUMENTS**

2,446,689	A	*	8/1948	Brose et al.	.....	2/49.5
2,648,845	A	*	8/1953	Berman	.....	2/48
D170,896	S	*	11/1953	Warren	.....	D2/861
2,704,625	A	*	3/1955	Huse	.....	224/576
D216,291	S	*	12/1969	Korshak	.....	D2/864
4,301,544	A	*	11/1981	Burton	.....	2/49.5
4,663,779	A	*	5/1987	Bible	.....	2/49.3

5,765,225	A	*	6/1998	Goeckeritz et al.	.....	2/49.1
D421,173	S	*	2/2000	Castelli	.....	D2/864
D493,024	S	*	7/2004	Bergkvist	.....	D2/864
2001/0054191	A1	*	12/2001	Frye	.....	2/49.2
2002/0066133	A1	*	6/2002	Frye	.....	2/49.1
2006/0000002	A1	*	1/2006	Bergkvist	.....	2/49.1

\* cited by examiner

*Primary Examiner*—Ian Simmons

*Assistant Examiner*—R. Johnson

(74) *Attorney, Agent, or Firm*—Dougherty/Clements; F. Rhett Brockington

(57) **CLAIM**

The ornamental design for a bib, as shown and described.

**DESCRIPTION**

FIG. 1 is a front perspective view of a bib showing my new design;

FIG. 2 is a rear elevational view thereof;

FIG. 3 is a front elevational view thereof;

FIG. 4 is a left side elevational view thereof;

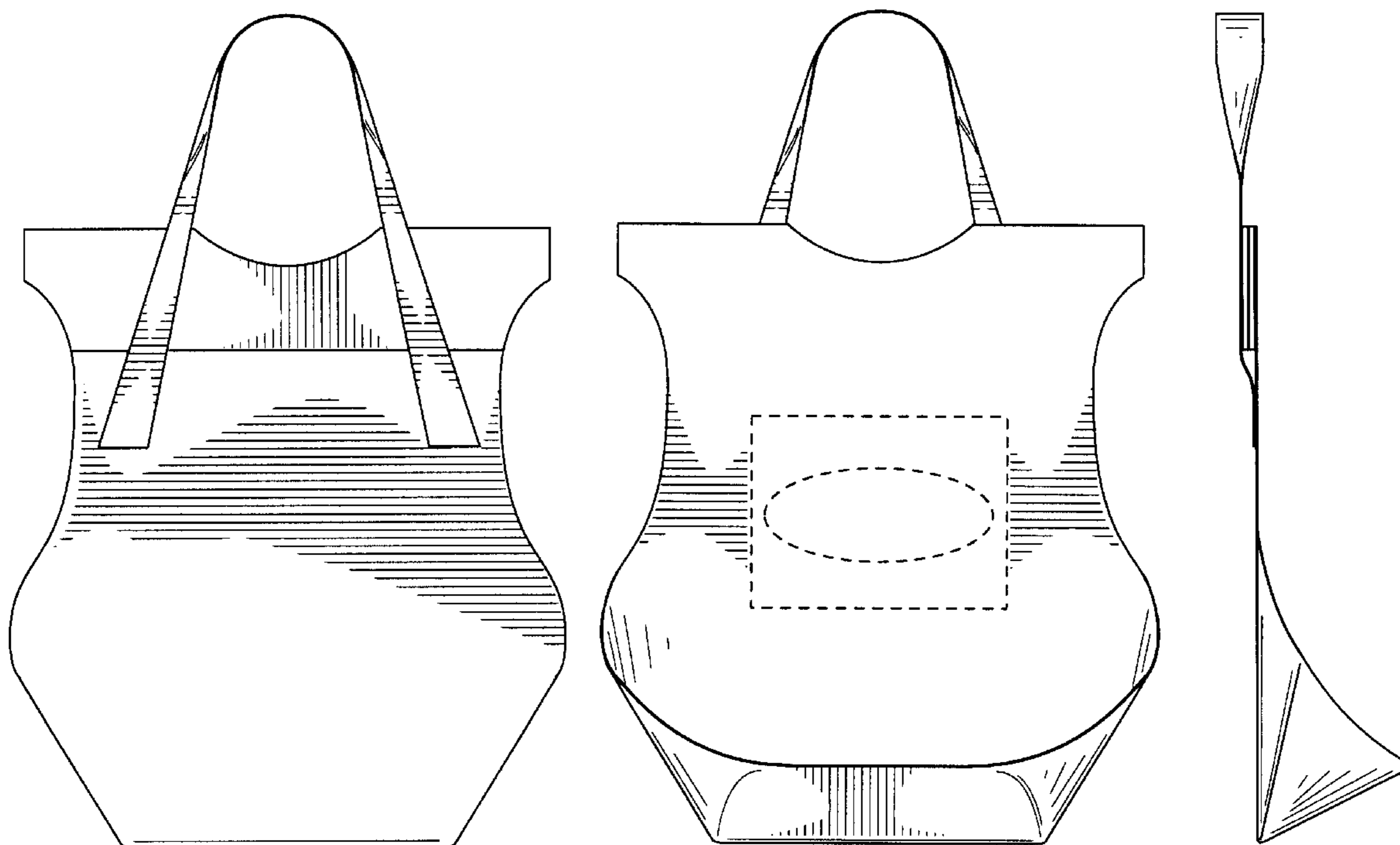
FIG. 5 is a right side elevational view thereof;

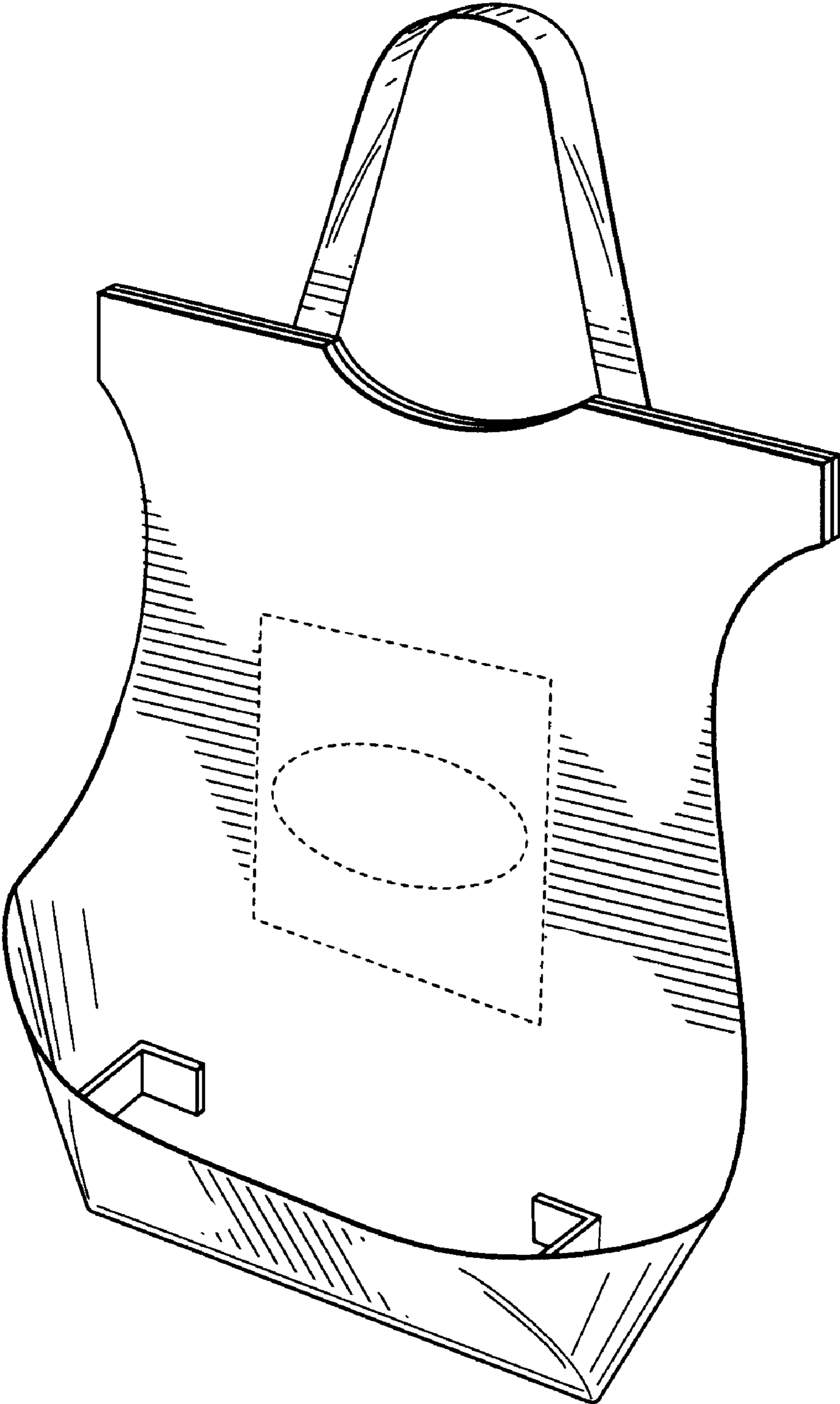
FIG. 6 is a top plan view thereof; and,

FIG. 7 is a bottom plan view thereof.

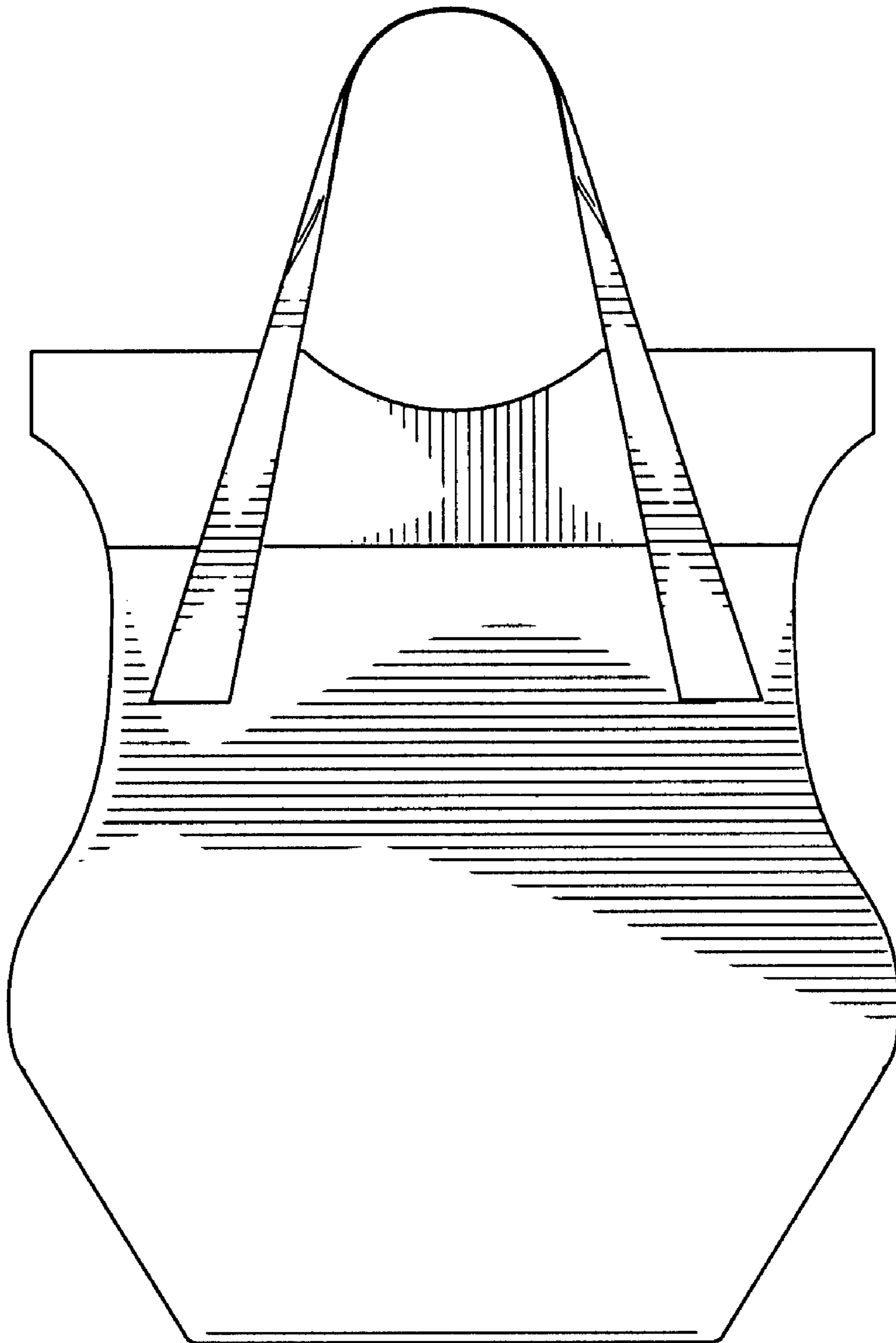
The dotted lines are only for illustrative purposes of an area that optionally could be printed, and form no part of the claimed design.

**1 Claim, 5 Drawing Sheets**

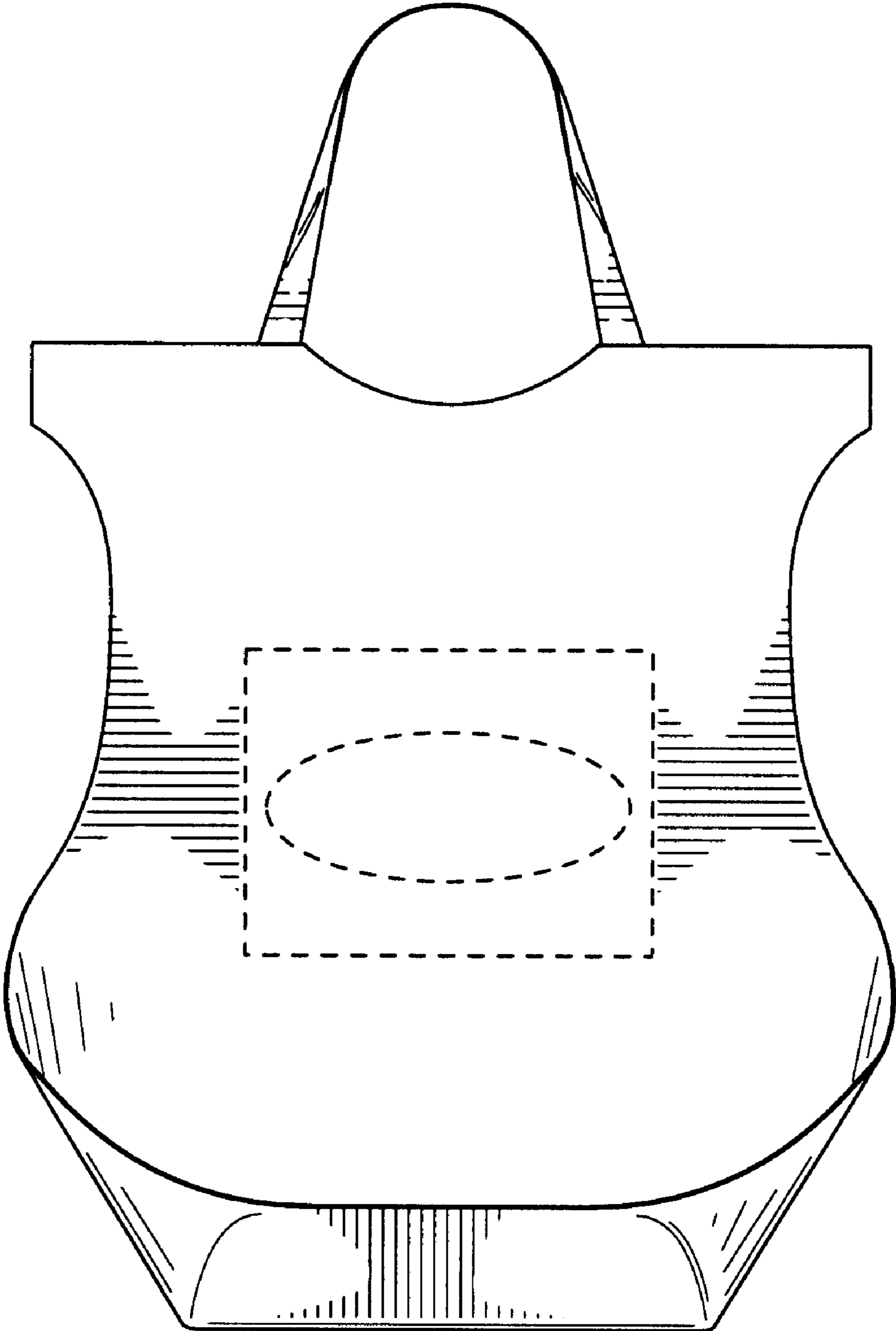




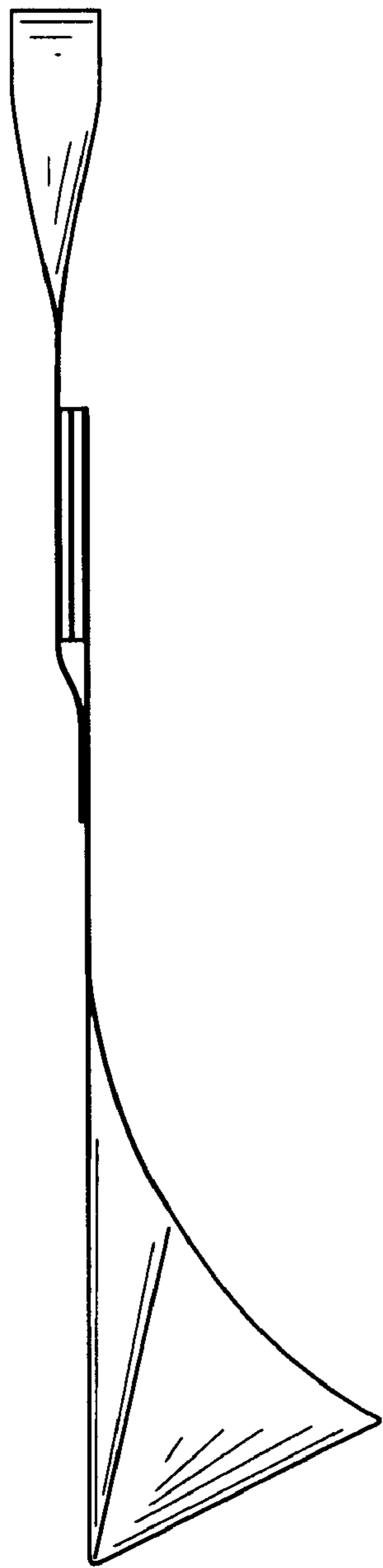
**FIG. 1**



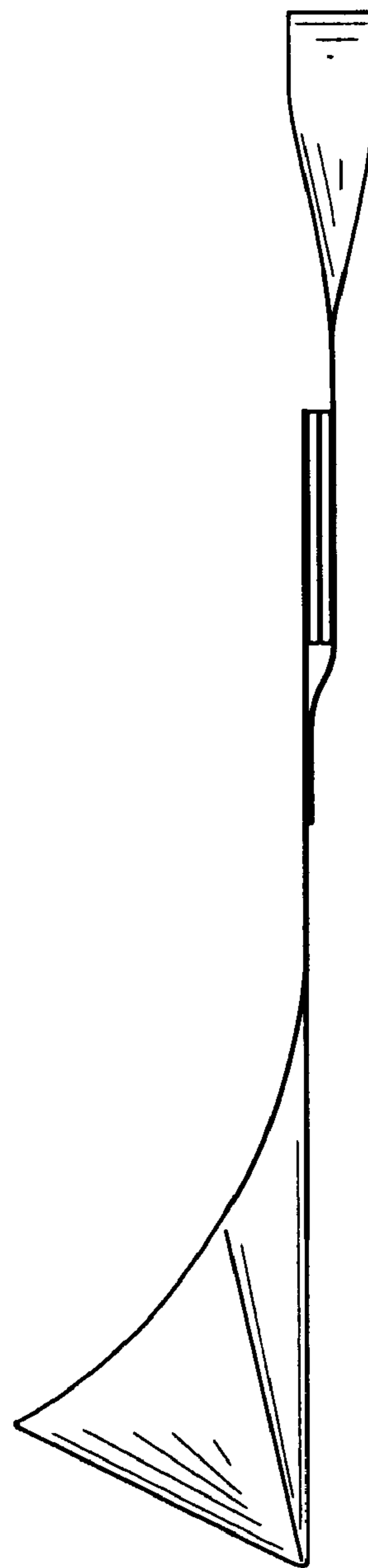
**FIG. 2**



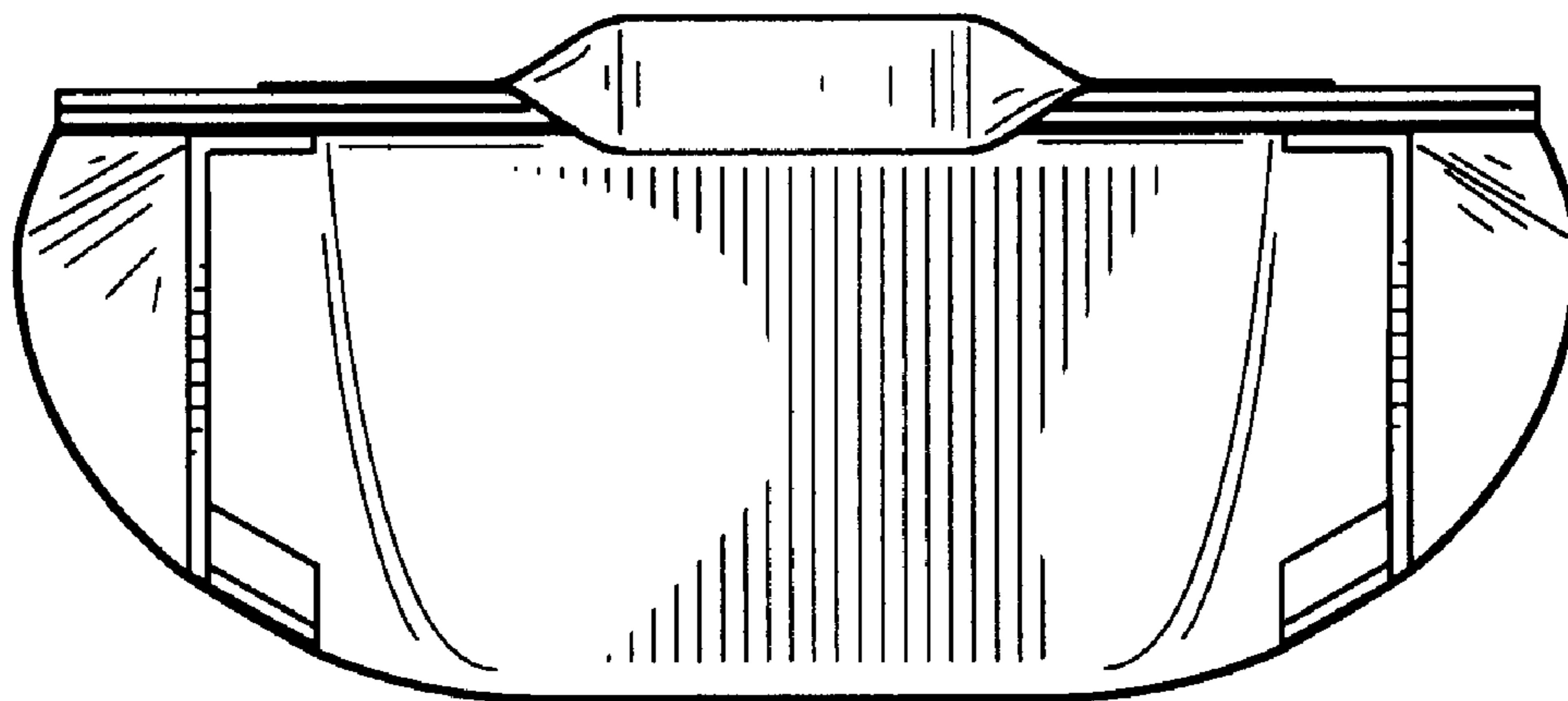
**FIG. 3**



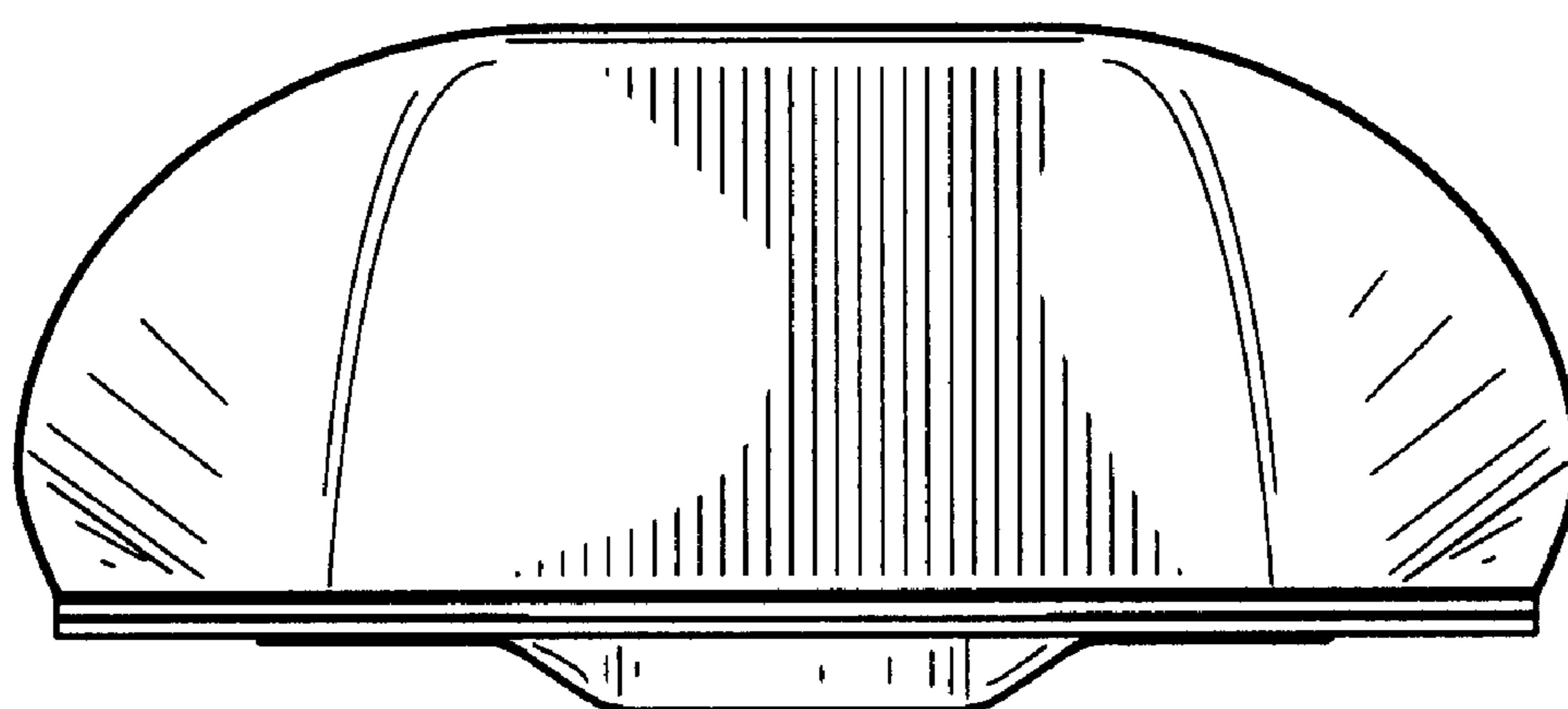
**FIG. 4**



**FIG. 5**



**FIG. 6**



**FIG. 7**