

US00D540510S

(12) **United States Design Patent**
Urahata

(10) **Patent No.:** **US D540,510 S**

(45) **Date of Patent:** **** Apr. 17, 2007**

(54) **BUTTONHOLE**

(76) **Inventor:** **Masaji Urahata**, 18-19, Katase
2-chome, Fujisawa-shi, Kanagawa (JP)

(**) **Term:** **14 Years**

(21) **Appl. No.:** **29/209,723**

(22) **Filed:** **Jul. 21, 2004**

(30) **Foreign Application Priority Data**

Apr. 28, 2004 (JP) 2004-013004
Apr. 28, 2004 (JP) 2004-013041

(51) **LOC (8) Cl.** **02-02**

(52) **U.S. Cl.** **D2/837**

(58) **Field of Classification Search** D2/797,
D2/798, 833, 837; 2/265, 266; 112/65, 475.15,
112/475.25, 431, 437, 446

See application file for complete search history.

(56) **References Cited**

U.S. PATENT DOCUMENTS

400,485 A * 4/1889 Reece 36/52
1,194,521 A * 8/1916 Loeb 112/475.18
1,471,604 A * 10/1923 Heller 2/266
1,540,003 A * 6/1925 Haller 2/309
1,887,954 A * 11/1932 Pikul 112/431
1,982,527 A * 11/1934 Manekin 2/116
2,084,745 A * 6/1937 Reynolds 2/243.1
D115,102 S * 6/1939 Elowsky D2/837
2,318,295 A * 5/1943 Davidow 2/93
2,325,056 A * 7/1943 Hess 160/348
2,342,569 A * 2/1944 Bernstein 112/475.15
2,389,272 A * 11/1945 Neuman 112/431
2,552,281 A * 5/1951 Isaacson 2/265
2,671,219 A * 3/1954 Levi 2/74
3,263,290 A * 8/1966 Eguchi et al. 24/662
3,349,410 A * 10/1967 White 2/229

3,394,437 A * 7/1968 Sinclair 24/301
3,500,509 A * 3/1970 Moden 24/662
3,587,501 A * 6/1971 Cruden, Jr. 112/475.25
3,654,635 A * 4/1972 Cruden, Jr. 2/266
3,701,167 A * 10/1972 Spetz 2/266
3,703,149 A * 11/1972 George 112/475.25
4,712,496 A * 12/1987 Brown et al. 112/431
2005/0210561 A1 * 9/2005 Robinson 2/129
2005/0278826 A1 * 12/2005 Kato 2/131
2006/0032026 A1 * 2/2006 Schoening et al. 24/66.1

FOREIGN PATENT DOCUMENTS

JP 48-36006 10/1973
JP 50-22807 Y 7/1975

* cited by examiner

Primary Examiner—Doris Clark

Assistant Examiner—Michael Pratt

(74) *Attorney, Agent, or Firm*—Birch, Stewart, Kolasch &
Birch, LLP

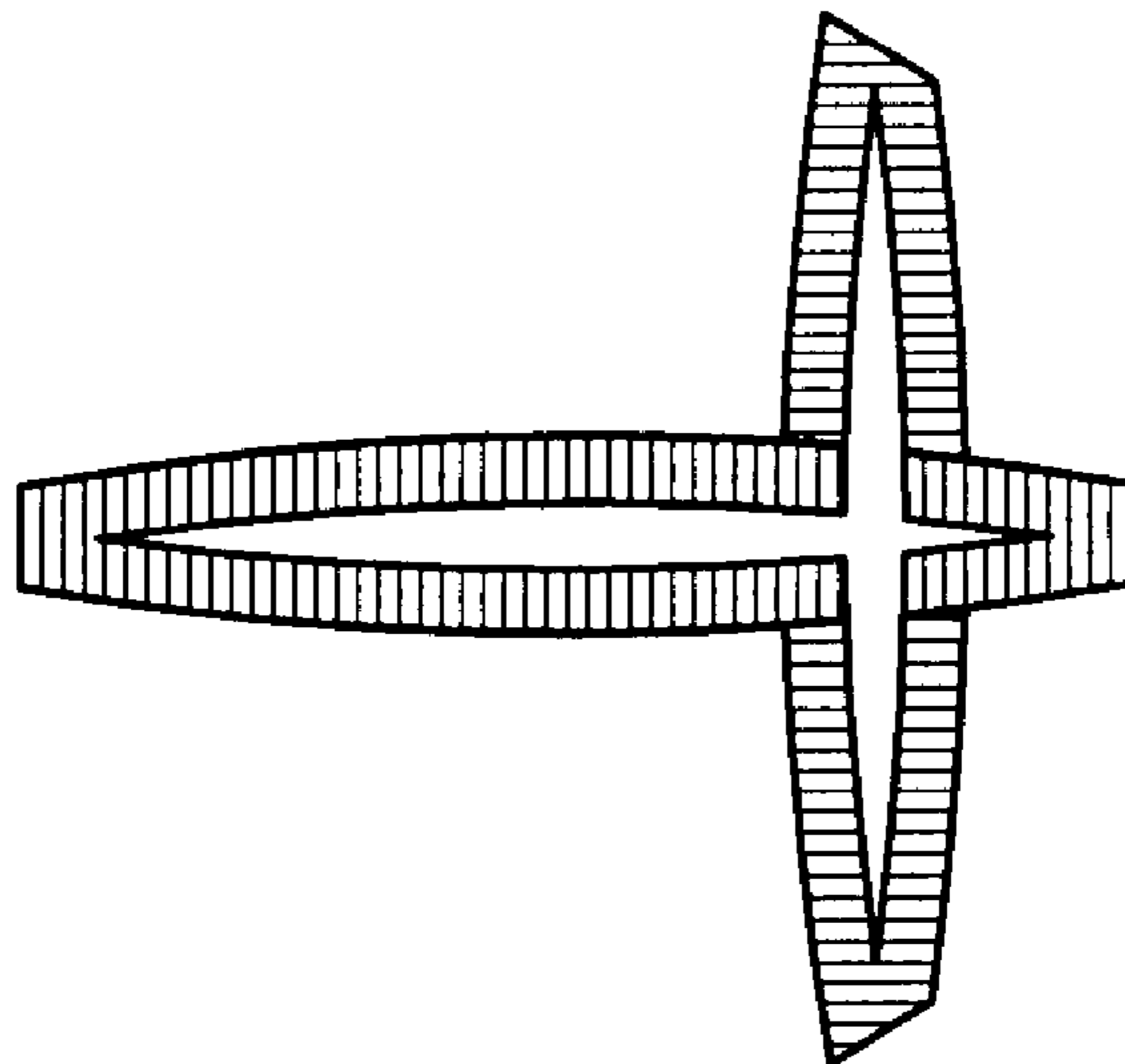
(57) **CLAIM**

The ornamental design for a buttonhol, as shown and
described.

DESCRIPTION

FIG. 1 is a front view of a buttonhole constructed according
to my novel design;
FIG. 2 is a top plan view thereof;
FIG. 3 is a left side view thereof;
FIG. 4 is a right side view thereof;
FIG. 5 is a bottom view thereof; and,
FIG. 6 is an exemplary drawing showing a plurality of
buttonholes arranged on a jacket.
The broken lines showing of environmental structure in FIG.
6 of the drawing are for illustrative purposes only and form
no part of the claimed design.

1 Claim, 2 Drawing Sheets



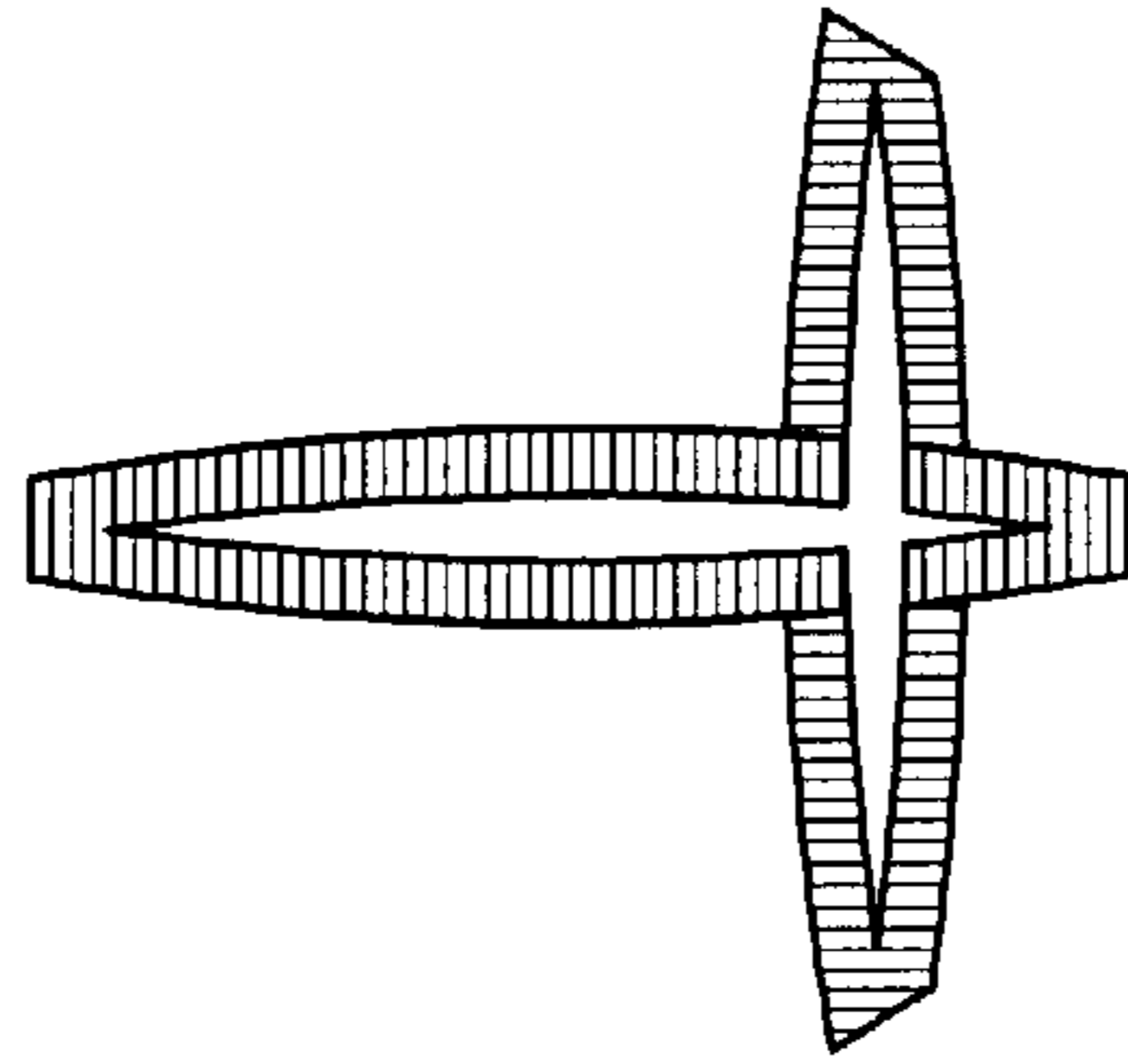


FIG. 1



FIG. 2



FIG. 3



FIG. 4



FIG. 5

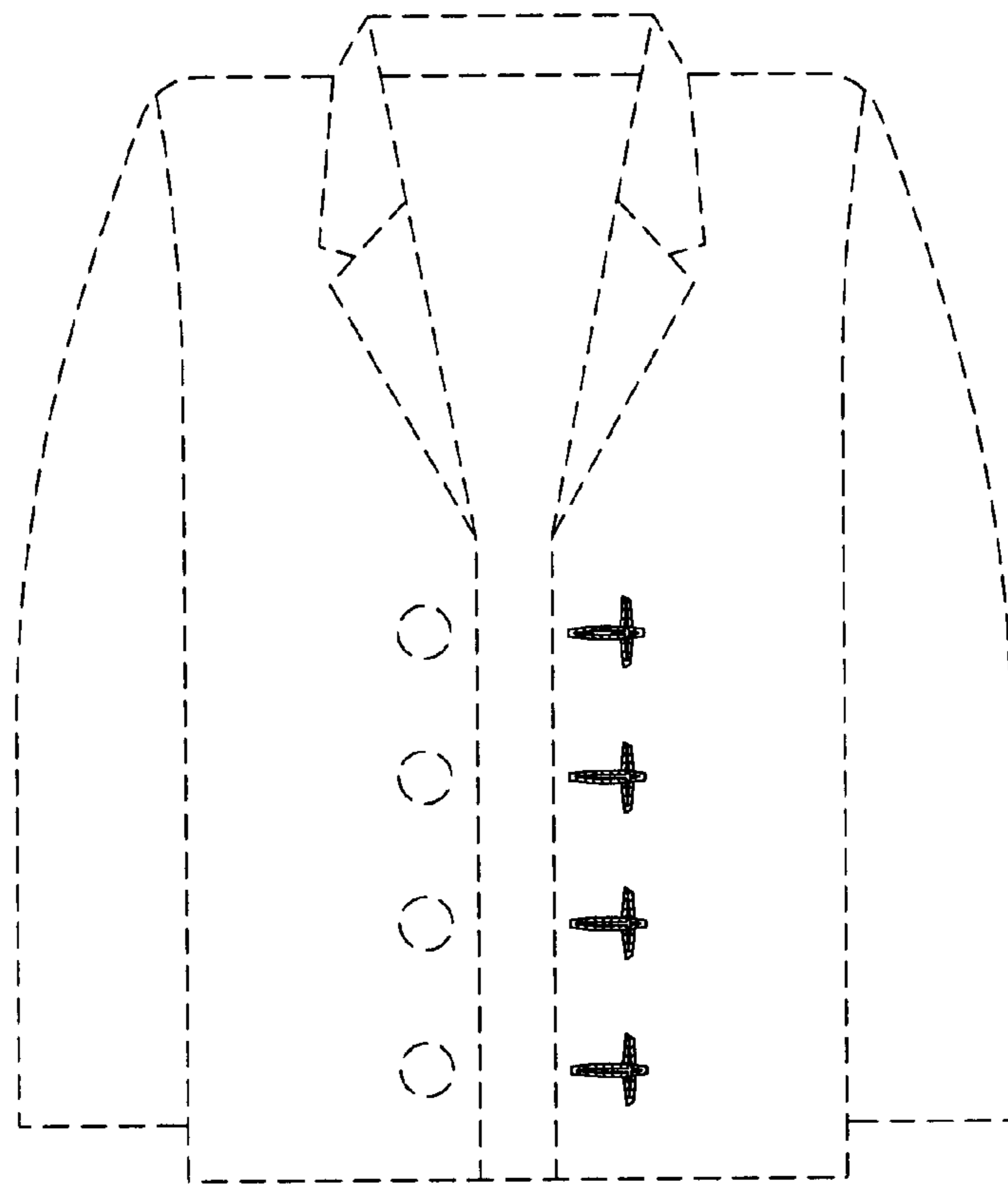


FIG.6