

US00D540499S

(12) **United States Design Patent**
Crookshanks

(10) **Patent No.:** **US D540,499 S**

(45) **Date of Patent:** **** Apr. 10, 2007**

(54) **PORTION OF AN APPLIANCE**

(75) **Inventor:** **Kent Allen Stephen Crookshanks,**
Anderson, SC (US)

(73) **Assignee:** **Electrolux Home Products, Inc.,**
Cleveland, OH (US)

(**) **Term:** **14 Years**

(21) **Appl. No.:** **29/246,282**

(22) **Filed:** **Mar. 29, 2006**

(51) **LOC (8) Cl.** **15-05**

(52) **U.S. Cl.** **D32/28**

(58) **Field of Classification Search** D32/2,
D32/3, 28, 5, 6, 8, 25, 30; D7/348-349, 405-406;
134/113, 201; 312/31

See application file for complete search history.

(56) **References Cited**

U.S. PATENT DOCUMENTS

2,714,151	A	*	7/1955	Becker	392/381
D208,353	S	*	8/1967	Hocutt et al.	D32/30
D398,102	S	*	9/1998	Schober	D32/25
6,508,085	B1	*	1/2003	Byrne	68/3 R
D514,383	S	*	2/2006	Vetter	D7/406
D518,608	S	*	4/2006	Kim et al.	D32/6
D520,194	S	*	5/2006	Kwon et al.	D32/6
D521,197	S	*	5/2006	Kim et al.	D32/8
2003/0230017	A1	*	12/2003	Geyer	40/544

* cited by examiner

Primary Examiner—Louis S. Zarfes

Assistant Examiner—Kathleen Sims

(74) *Attorney, Agent, or Firm*—Banner & Witcoff, Ltd.

(57) **CLAIM**

The ornamental design for a portion of an appliance, as shown and described.

DESCRIPTION

FIG. 1 is a front perspective view of a portion of an appliance showing my new design in a non-depressed position;

FIG. 2 is a front view thereof;

FIG. 3 is a left side view thereof;

FIG. 4 is a right side view thereof;

FIG. 5 is a top view thereof;

FIG. 6 is a bottom view thereof;

FIG. 7 is a perspective view thereof showing the portion of the appliance within a disclaimed illustrative laundry appliance;

FIG. 8 is a front perspective view of a portion of an appliance showing my new design in a depressed position;

FIG. 9 is a front view thereof;

FIG. 10 is a left side view thereof;

FIG. 11 is a right side view thereof;

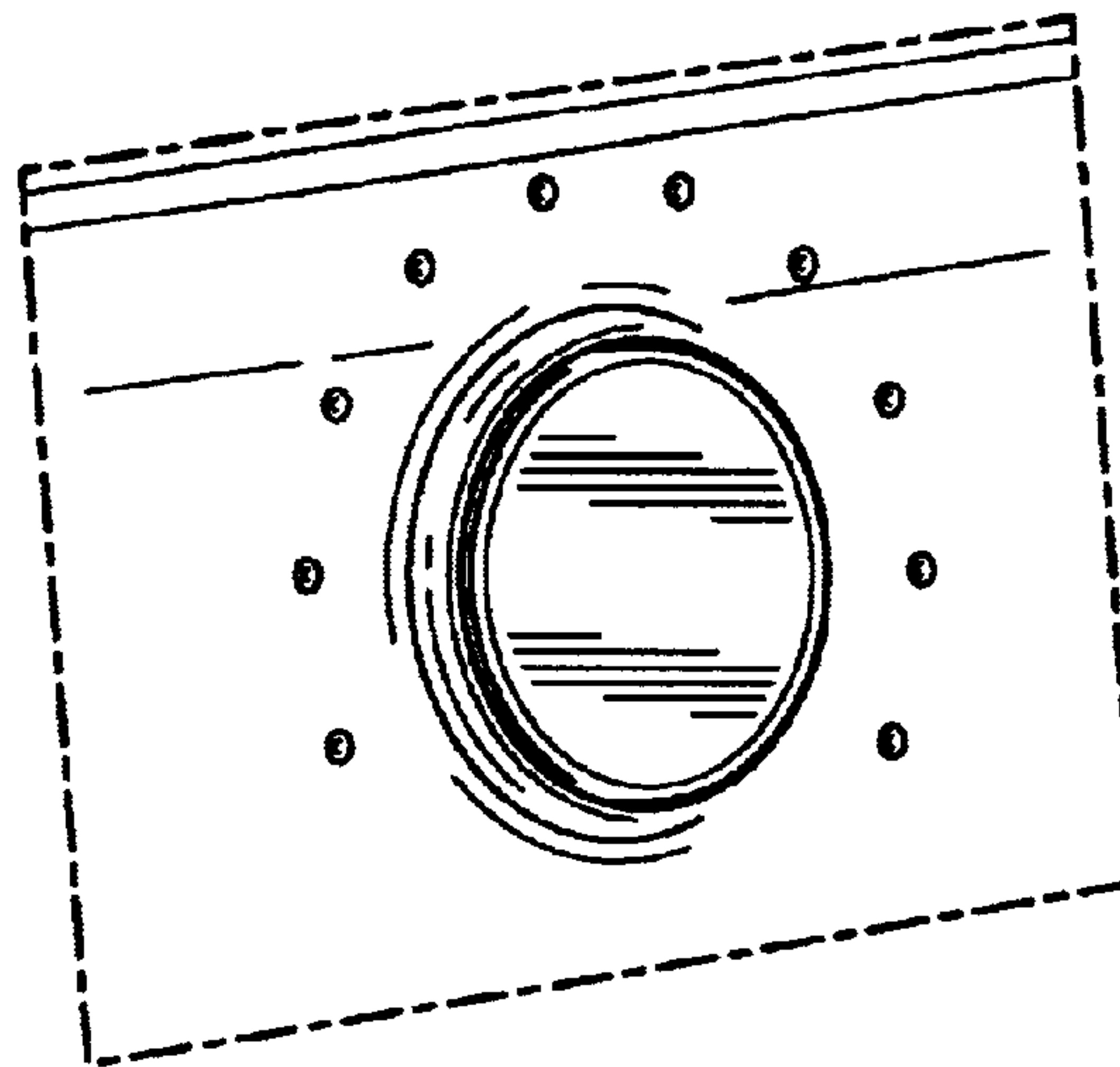
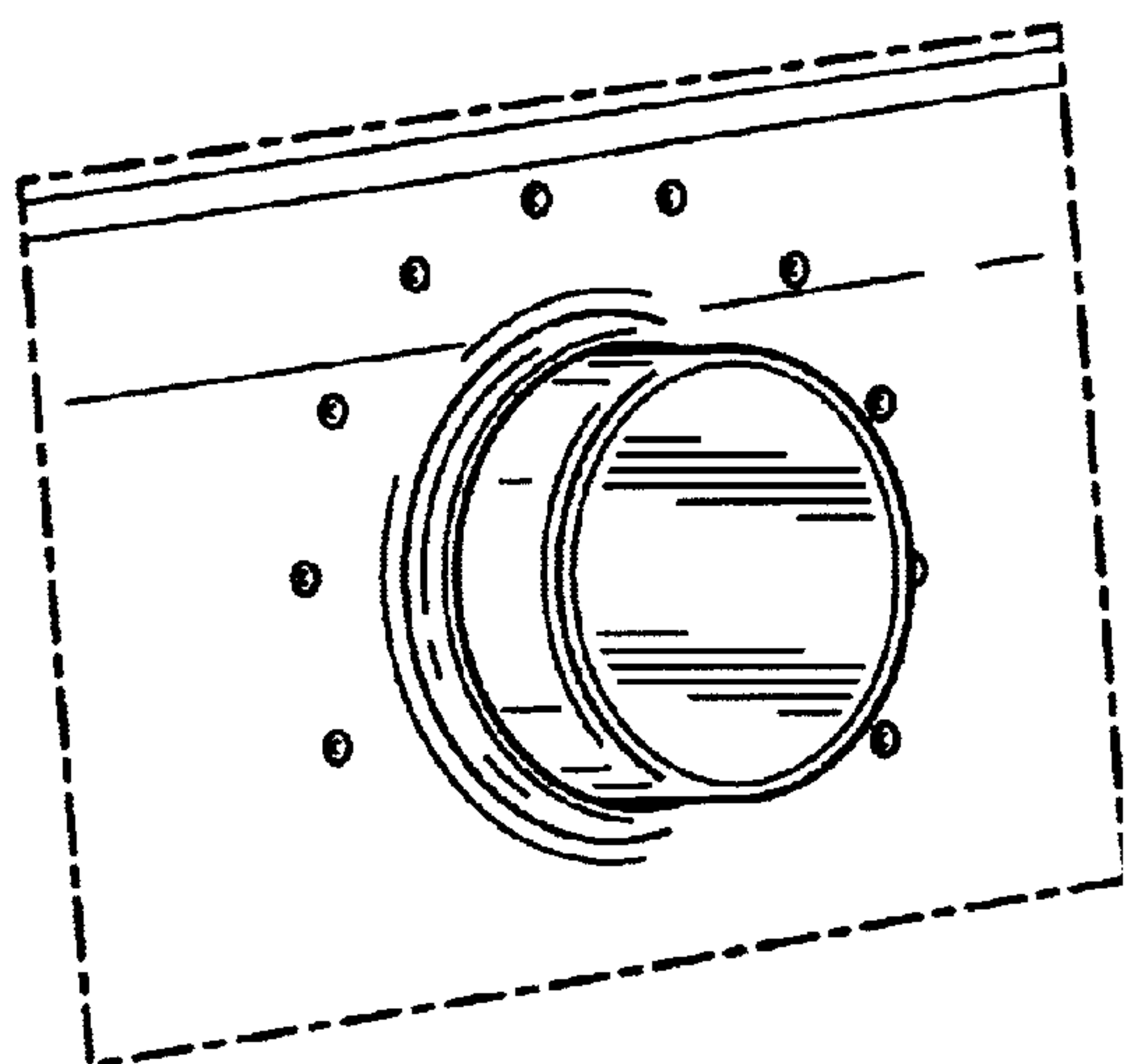
FIG. 12 is a top view thereof;

FIG. 13 is a bottom view thereof; and,

FIG. 14 is a perspective view thereof showing the portion of the appliance within a disclaimed illustrative laundry appliance.

The broken line showing of various regions, including the unshaded areas therein, is for illustrative purposes only and forms no part of the claimed design.

1 Claim, 8 Drawing Sheets



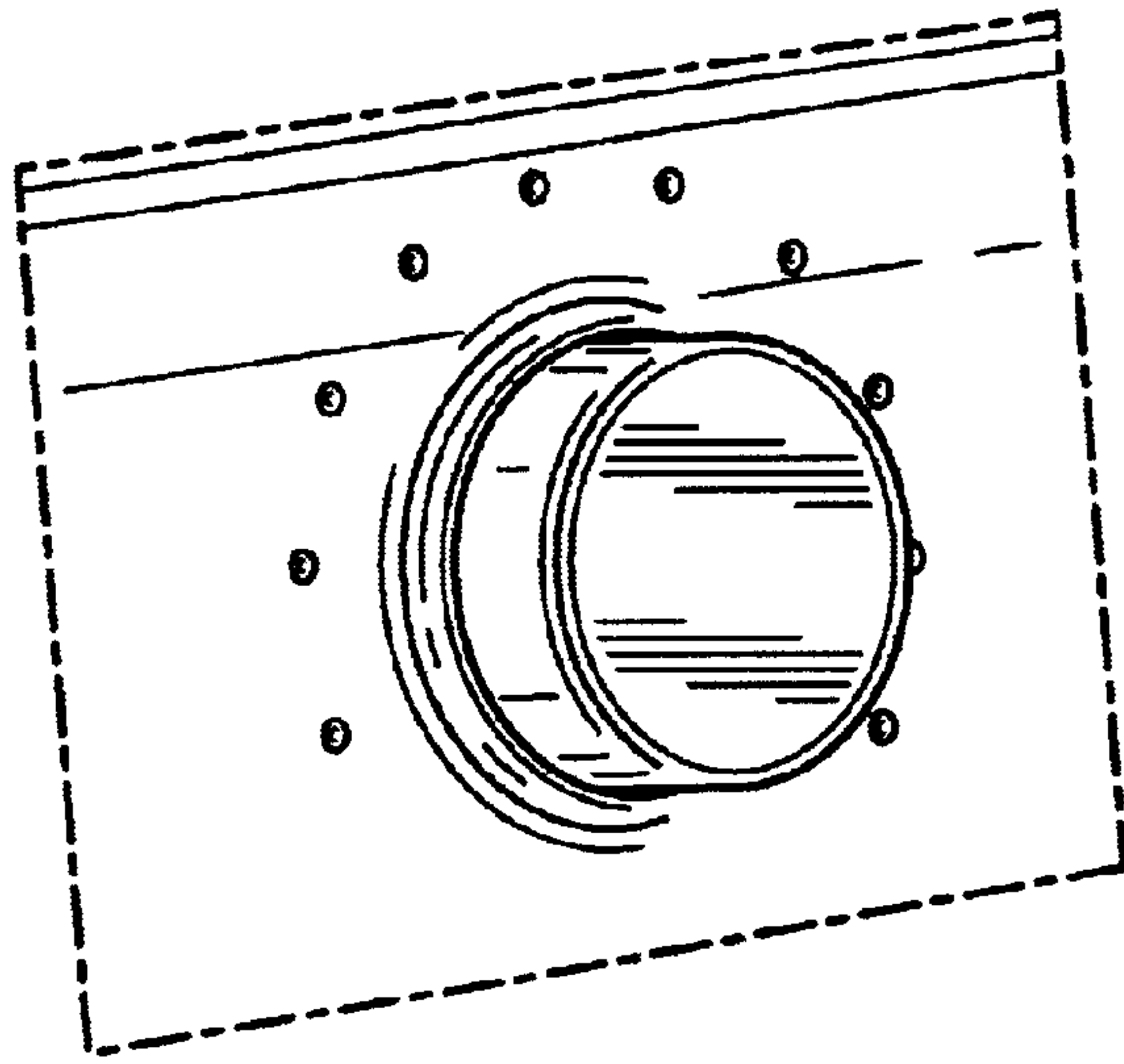


FIG. 1

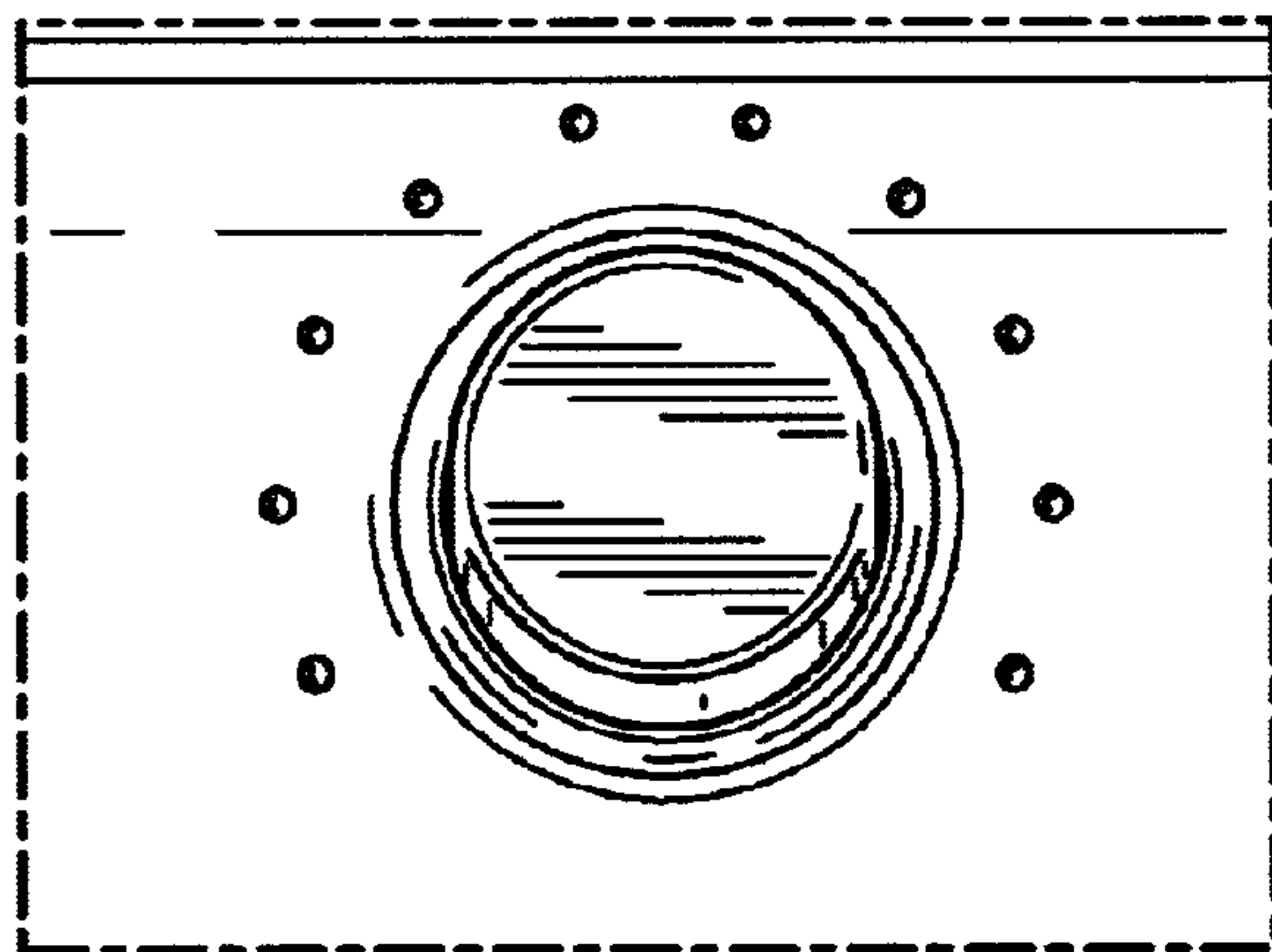


FIG. 2

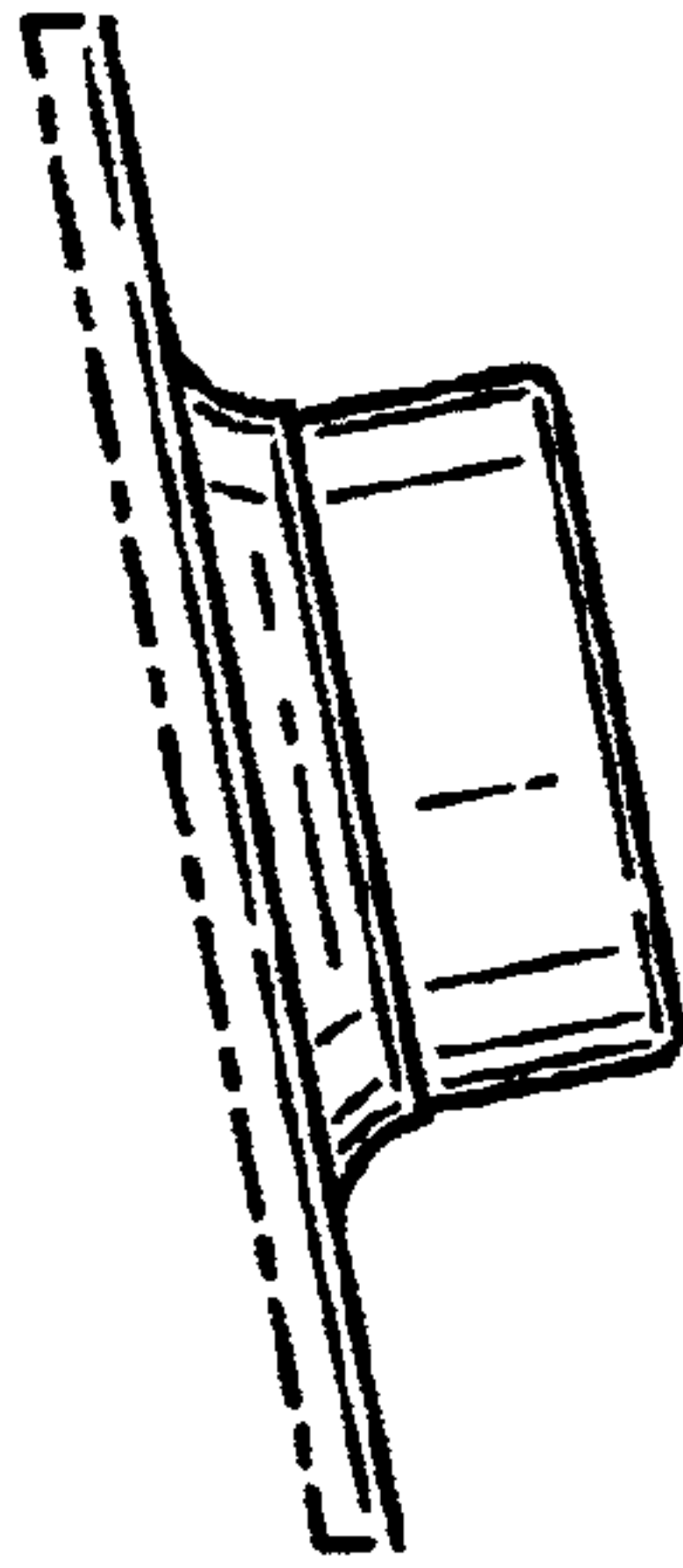


FIG. 3

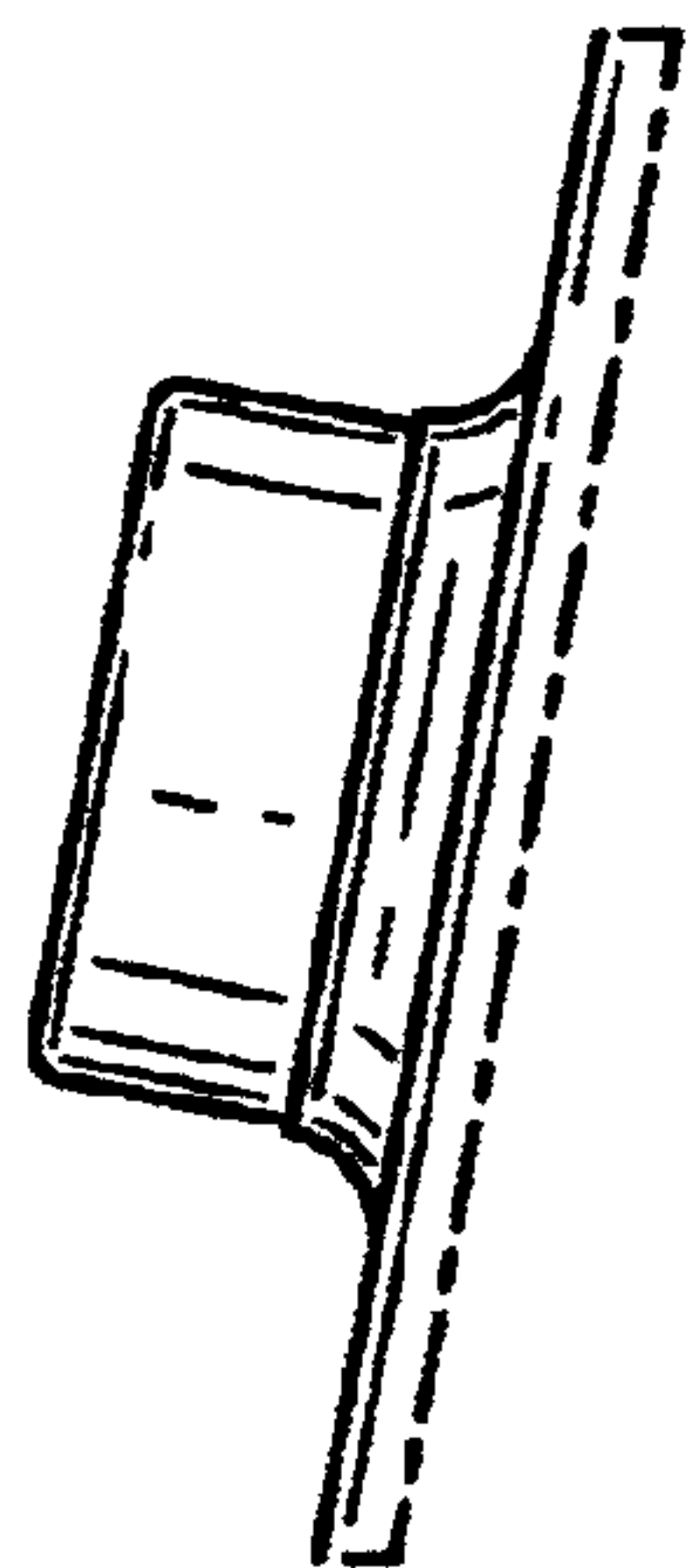


FIG. 4

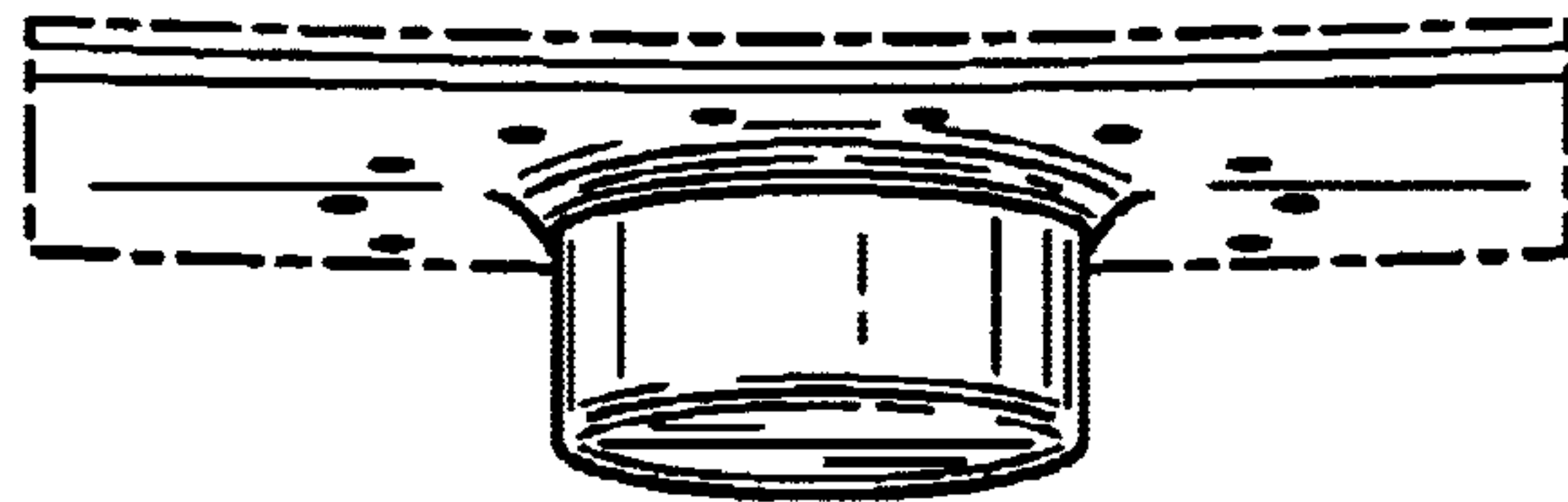


FIG. 5

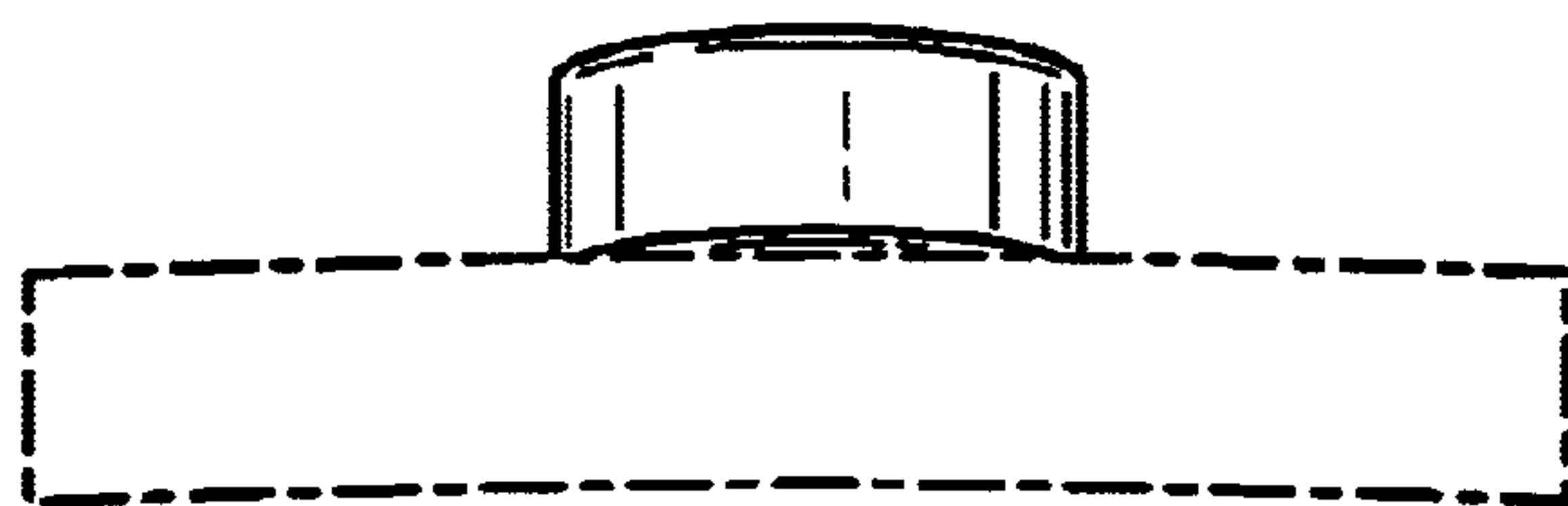


FIG. 6

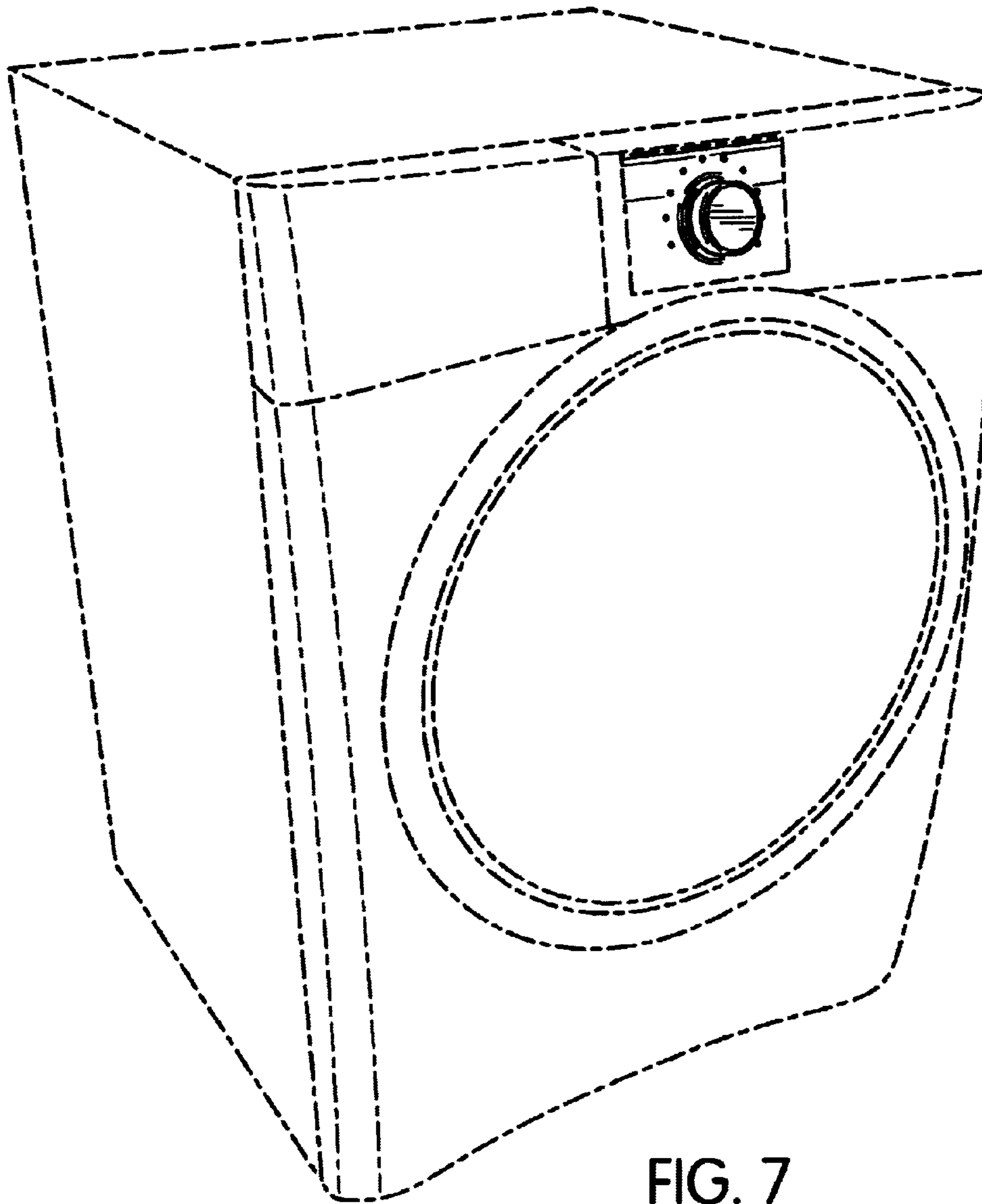


FIG. 7

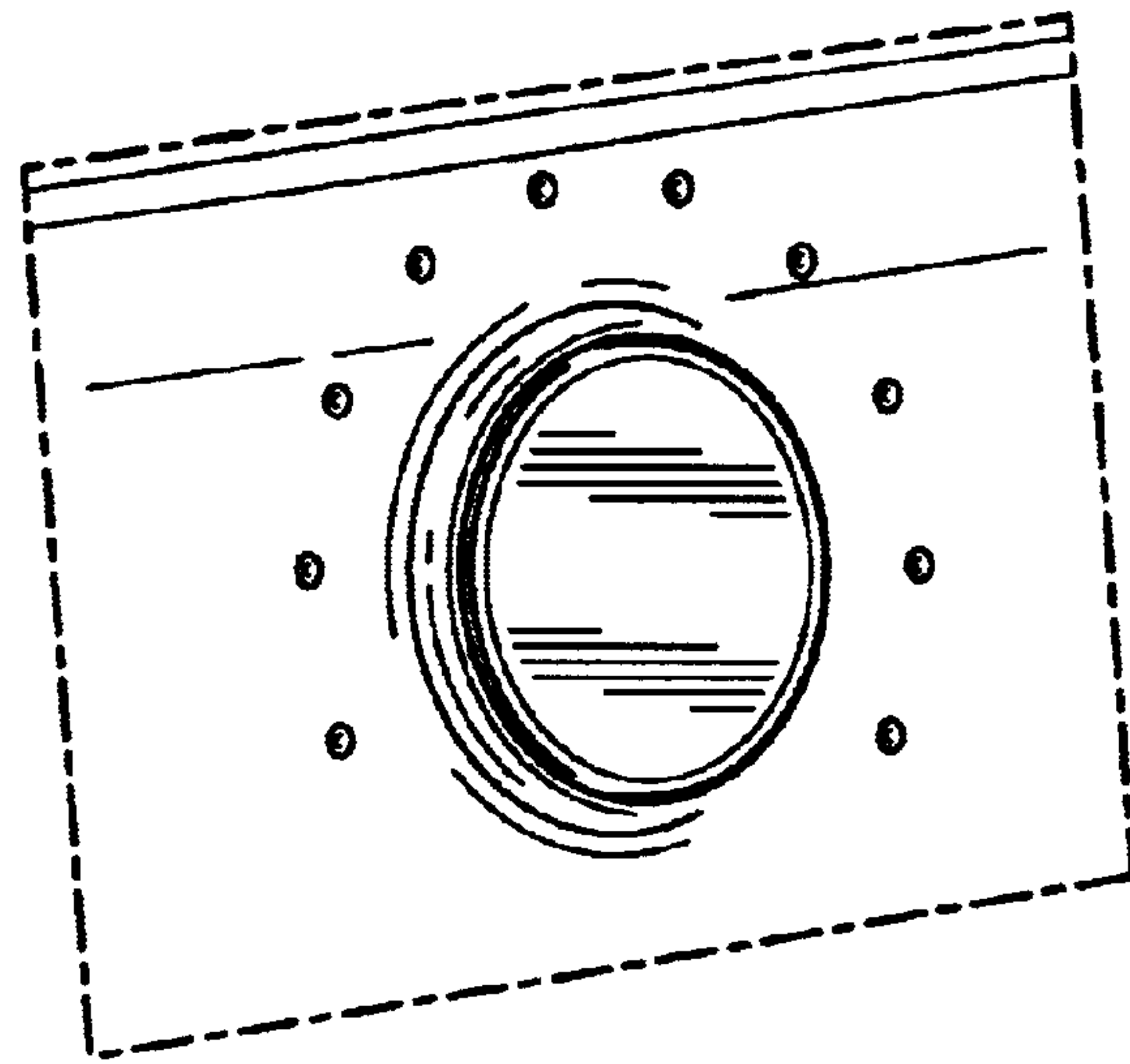


FIG. 8

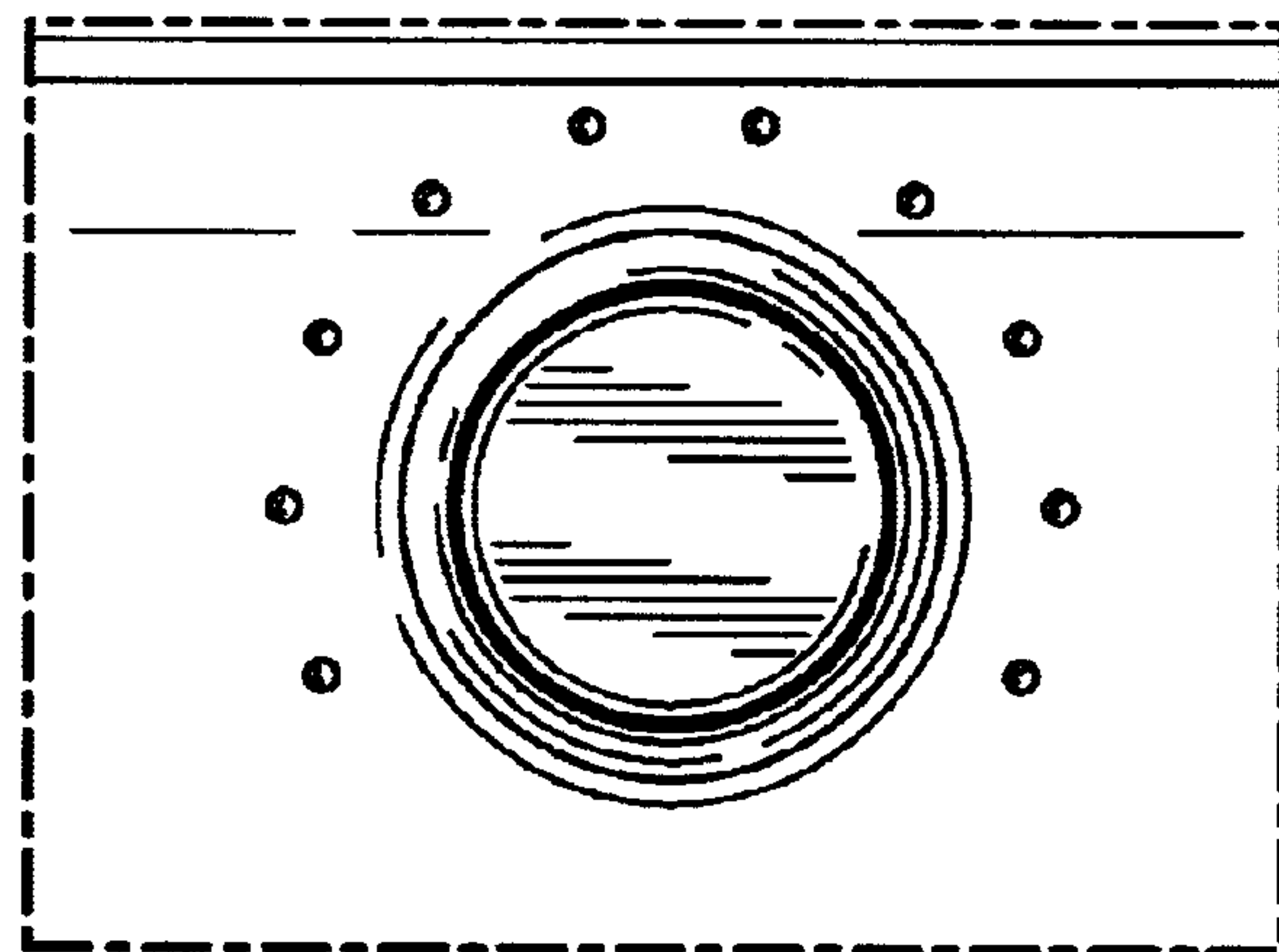


FIG. 9



FIG. 10



FIG. 11

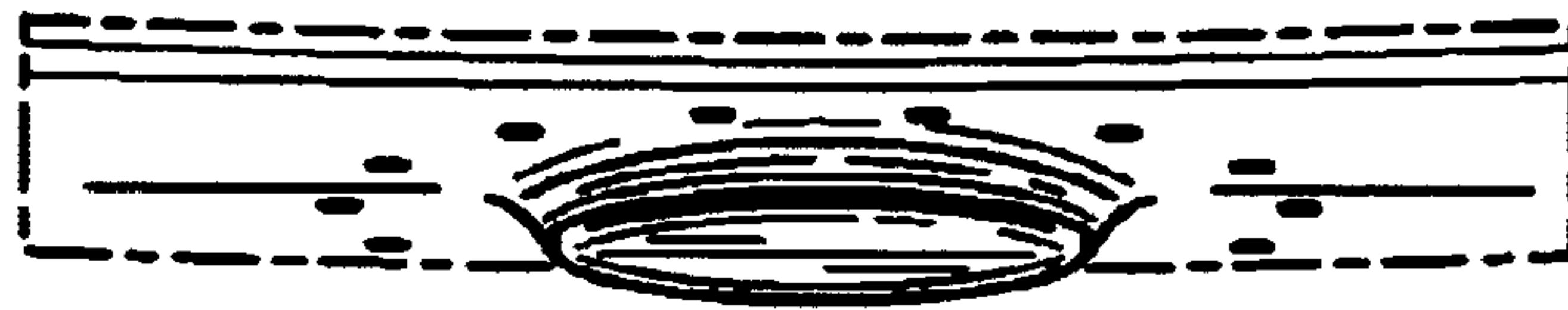


FIG. 12

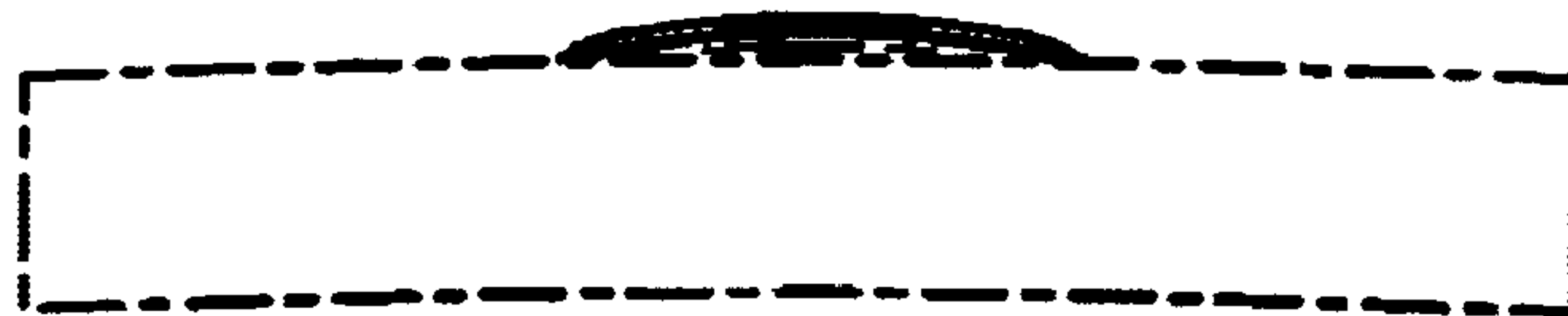


FIG. 13

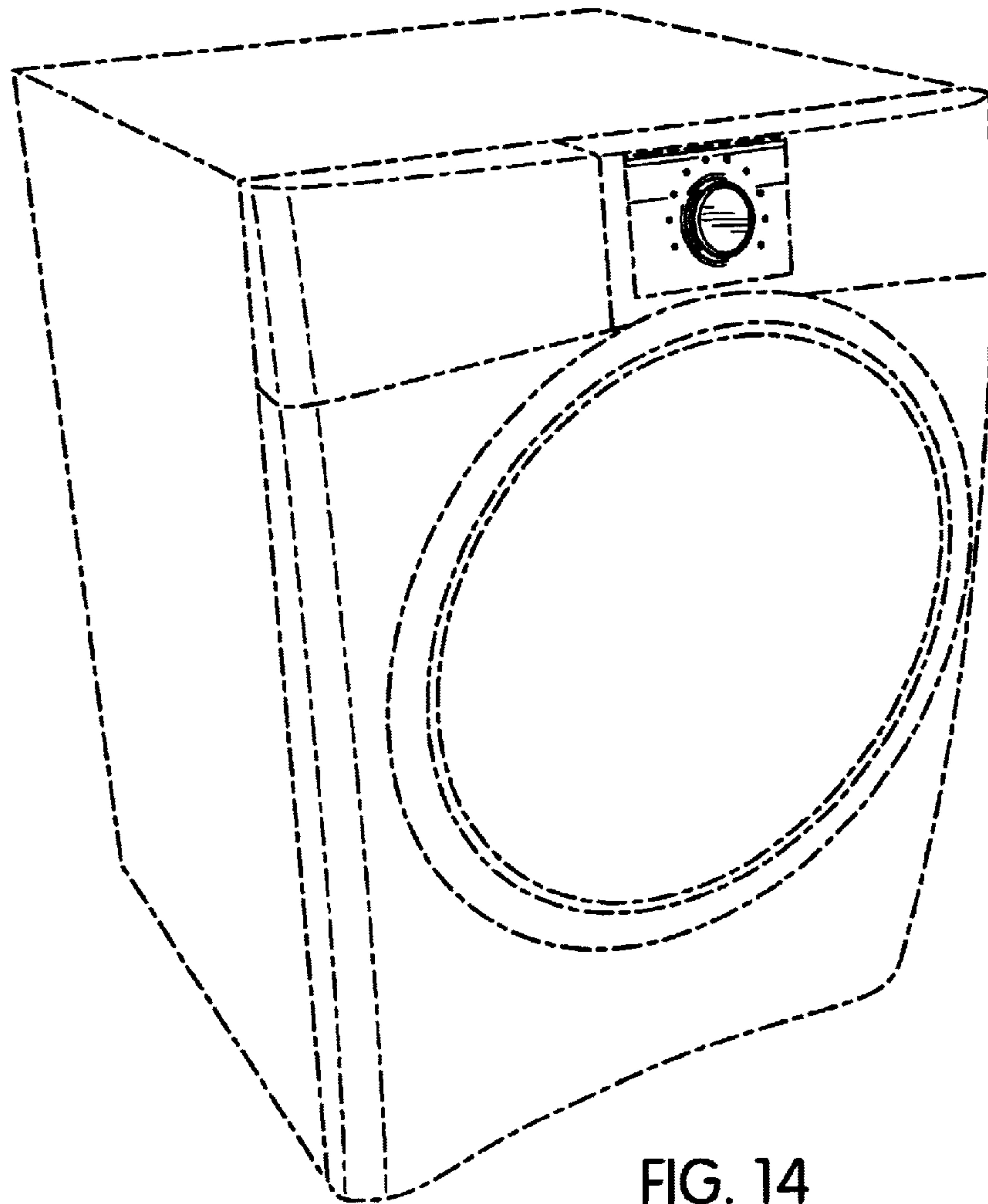


FIG. 14