



US00D540498S

(12) **United States Design Patent**
Tobias

(10) **Patent No.:** **US D540,498 S**

(45) **Date of Patent:** **** Apr. 10, 2007**

(54) **GARMENT STEAMER**

(76) **Inventor:** **Andrew J. Tobias**, 1137 El Medio Ave., Pacific Palisades, CA (US) 90272

(**) **Term:** **14 Years**

(21) **Appl. No.:** **29/243,737**

(22) **Filed:** **Nov. 29, 2005**

(51) **LOC (8) Cl.** **15-05**

(52) **U.S. Cl.** **D32/17**

(58) **Field of Classification Search** D32/17,
D32/18, 21, 31; 15/320, 321, 322, 327.1,
15/344, 353, 415, 416-422, 422.1; 134/105,
134/198, 21; 392/403, 404; 8/149.3; 68/5 R,
68/5 A, 222

See application file for complete search history.

(56) **References Cited**

U.S. PATENT DOCUMENTS

D215,875 S	*	11/1969	Hoadley	D32/32
D264,139 S	*	4/1982	Pearman, Jr.	D32/33
D296,372 S	*	6/1988	Toney et al.	D32/32
4,821,364 A	*	4/1989	McAllister et al.	15/322
D306,788 S	*	3/1990	McAllister et al.	D32/32

D319,121 S	*	8/1991	Muller	D32/17
5,123,266 A	*	6/1992	Tabraham	68/222
5,485,652 A	*	1/1996	Holland	15/322
5,555,597 A	*	9/1996	Berfield	15/321
5,600,866 A	*	2/1997	Berfield	15/322
5,813,087 A	*	9/1998	Huffman	15/321
2005/0076467 A1	*	4/2005	Stephens et al.	15/321
2005/0132761 A1	*	6/2005	Carruba et al.	68/222

* cited by examiner

Primary Examiner—Ruth McInroy

(74) *Attorney, Agent, or Firm*—Kelly Lowry & Kelley, LLP

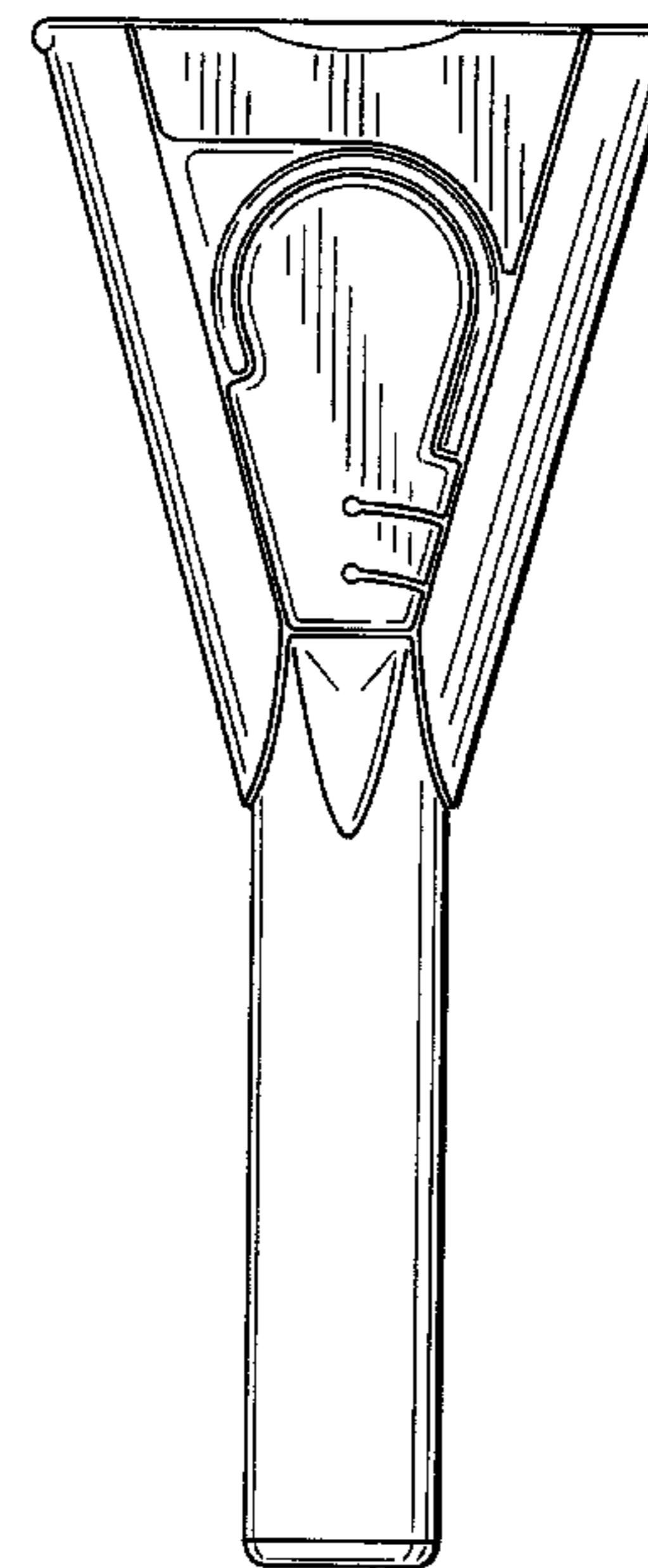
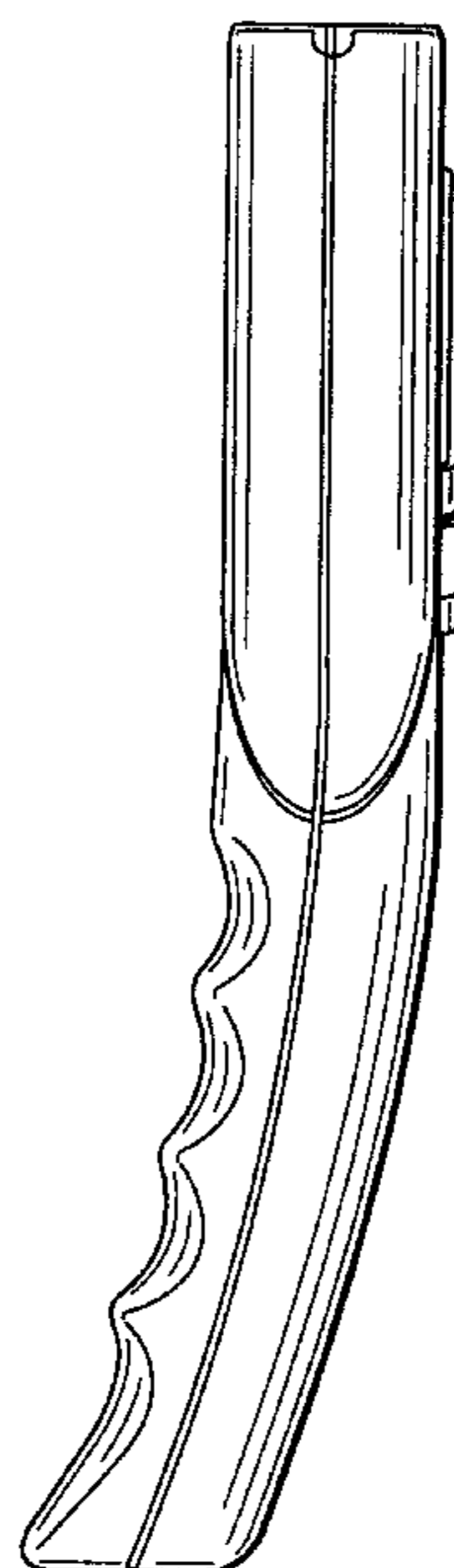
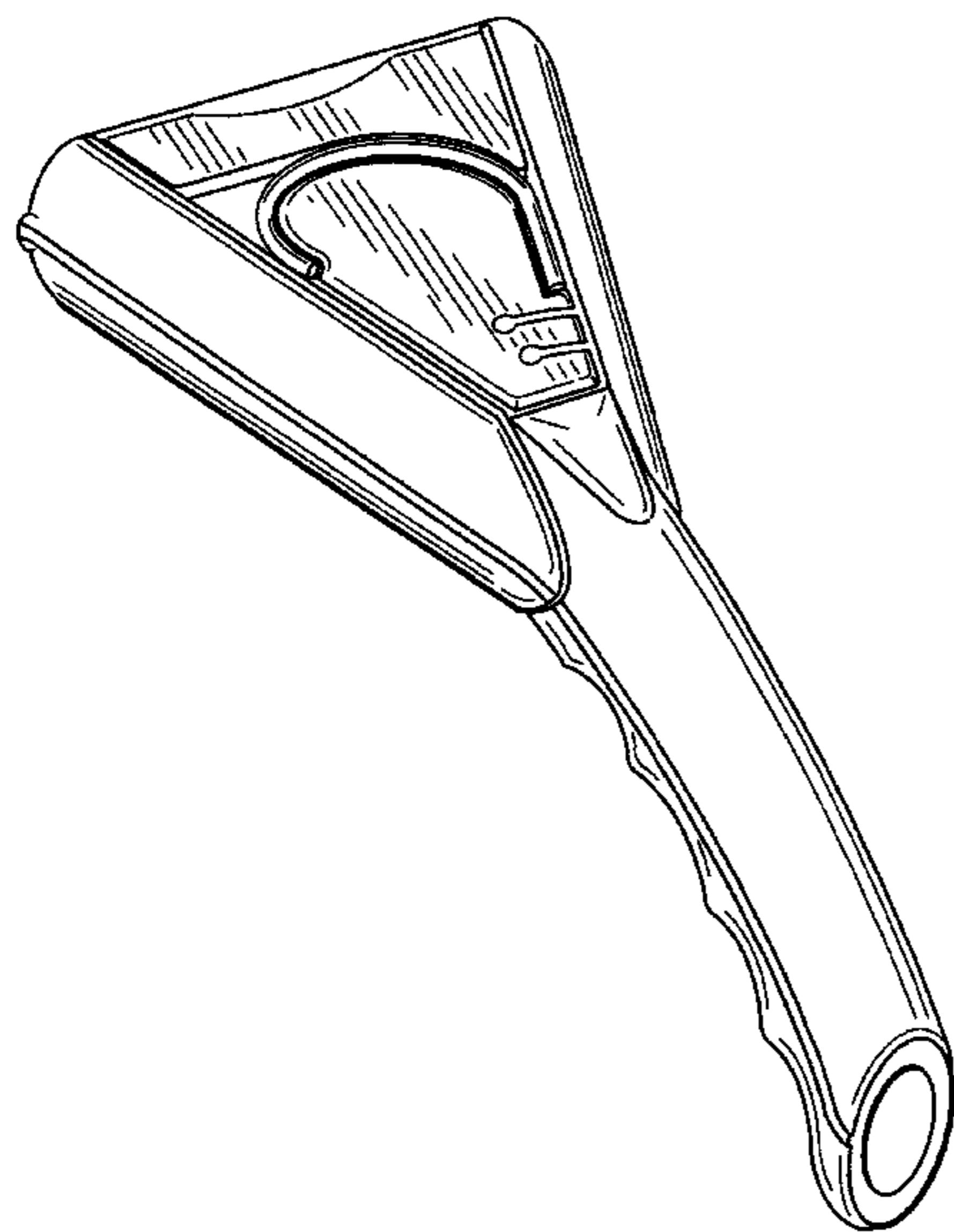
(57) **CLAIM**

The ornamental design for a garment steamer, as shown.

DESCRIPTION

FIG. 1 is a top, rear and left-side perspective view of a garment steamer embodying my new design; FIG. 2 is front elevational view thereof; FIG. 3 is a rear elevational view thereof; FIG. 4 is a right-side elevational view thereof; FIG. 5 is a left-side elevational view thereof; FIG. 6 is a top plan view thereof; and, FIG. 7 is a bottom plan view thereof.

1 Claim, 3 Drawing Sheets



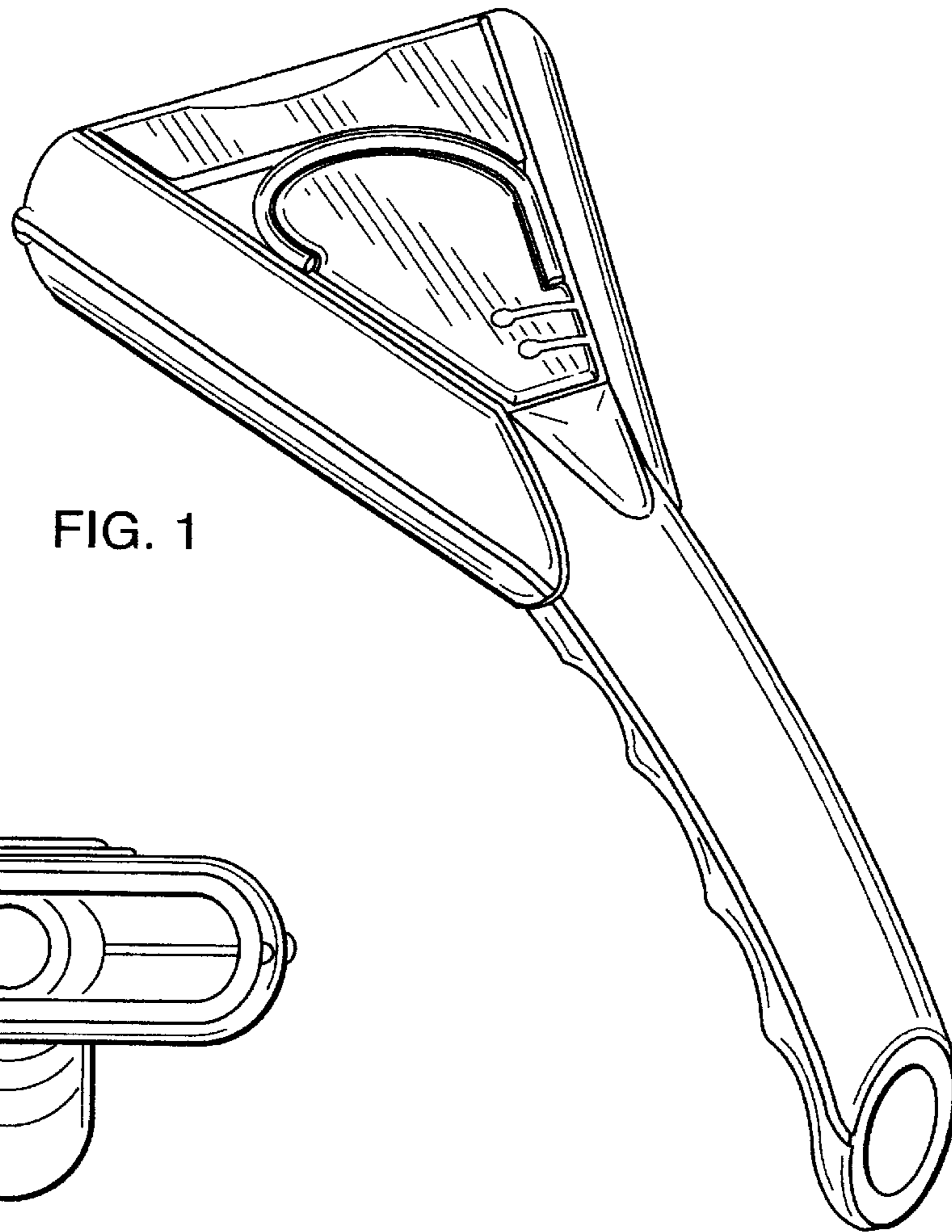


FIG. 1

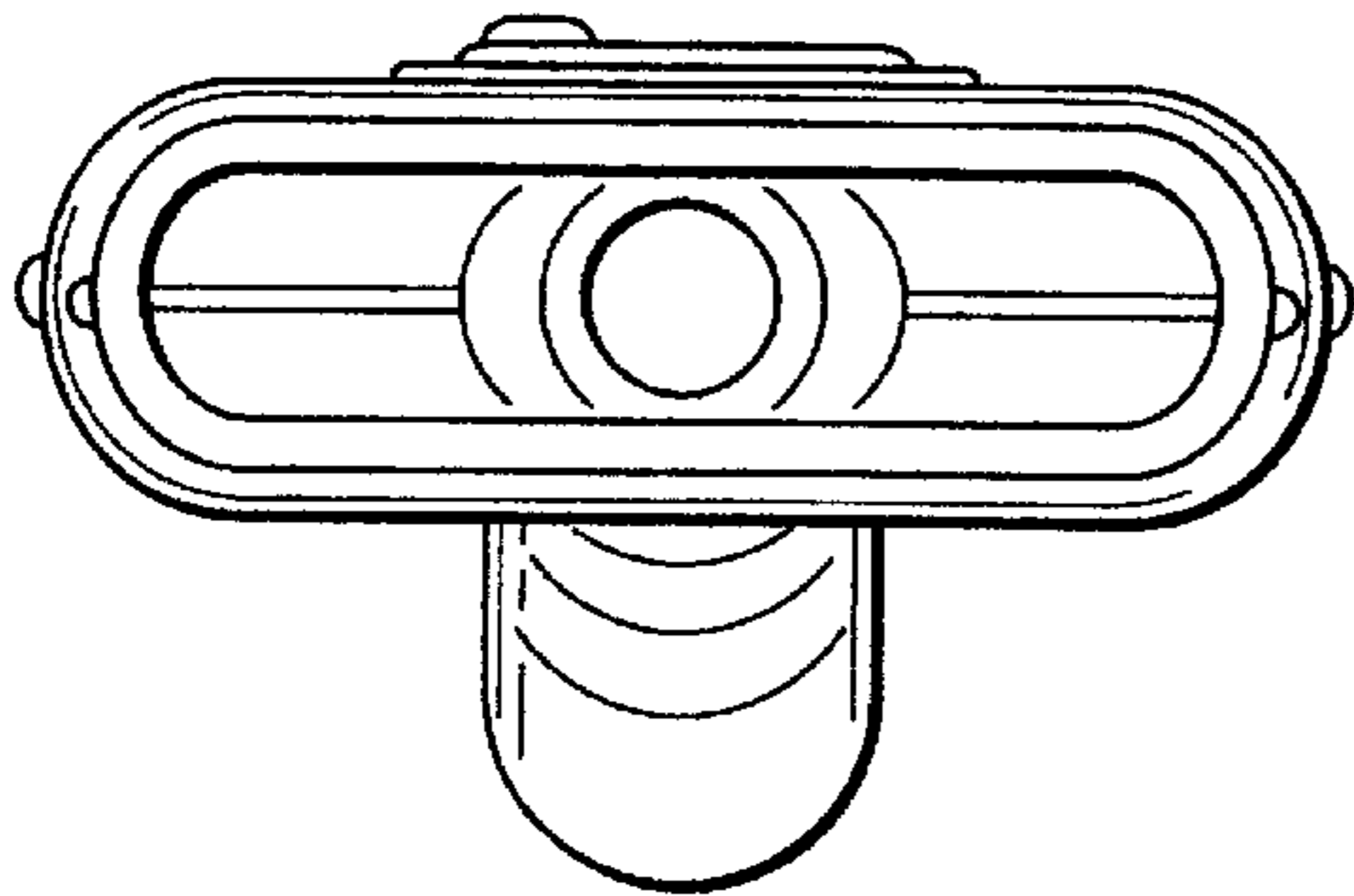


FIG. 2

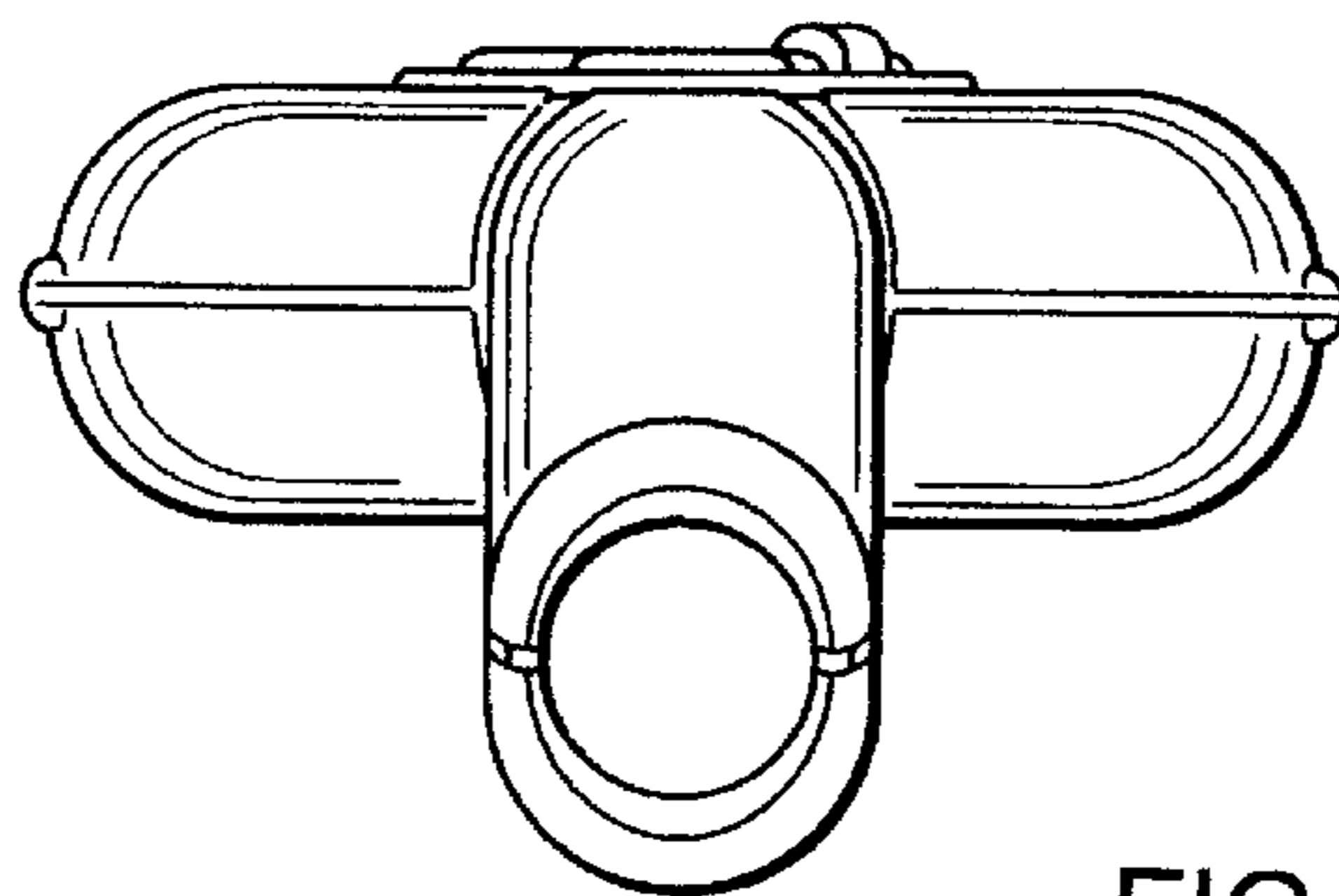


FIG. 3

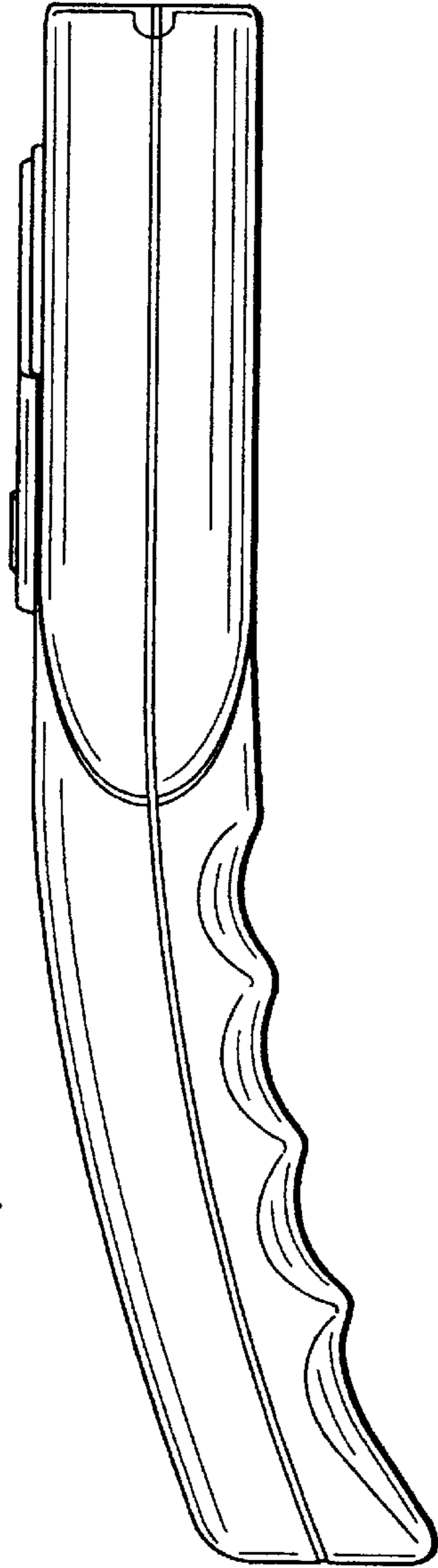


FIG. 4

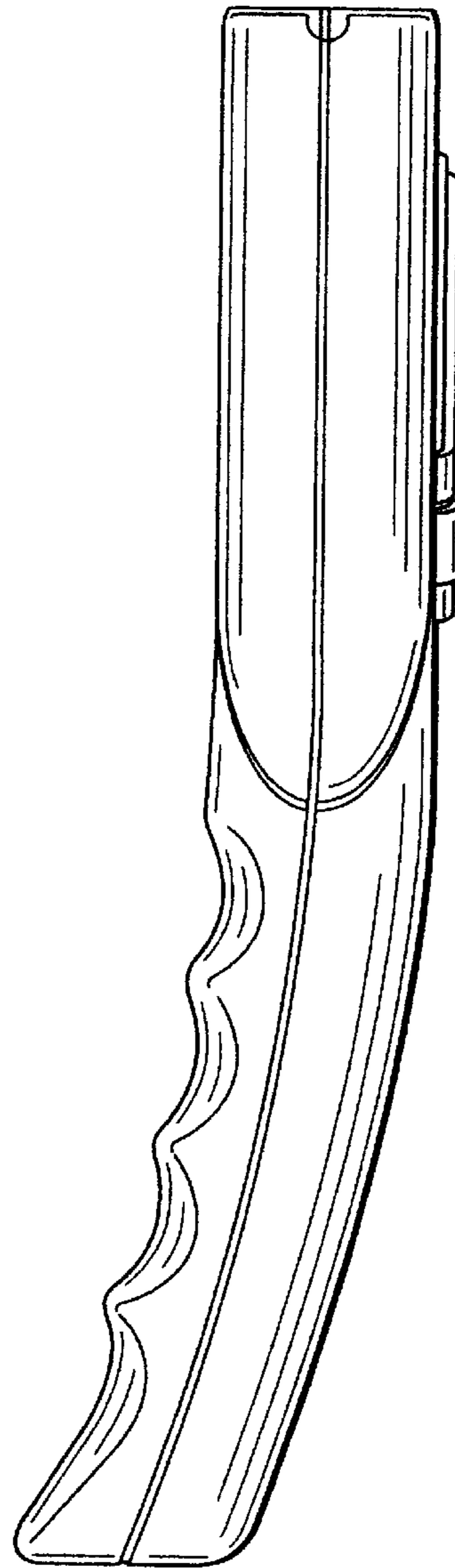


FIG. 5

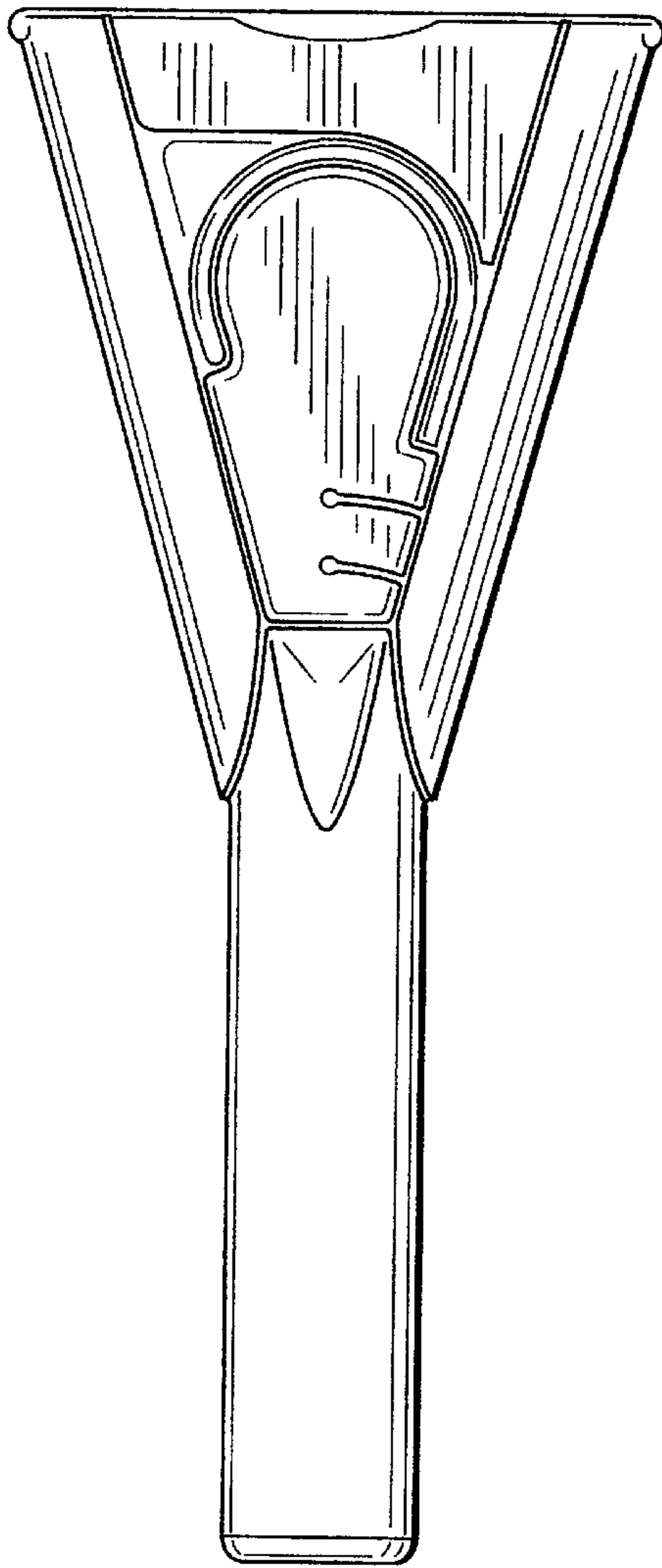


FIG. 6

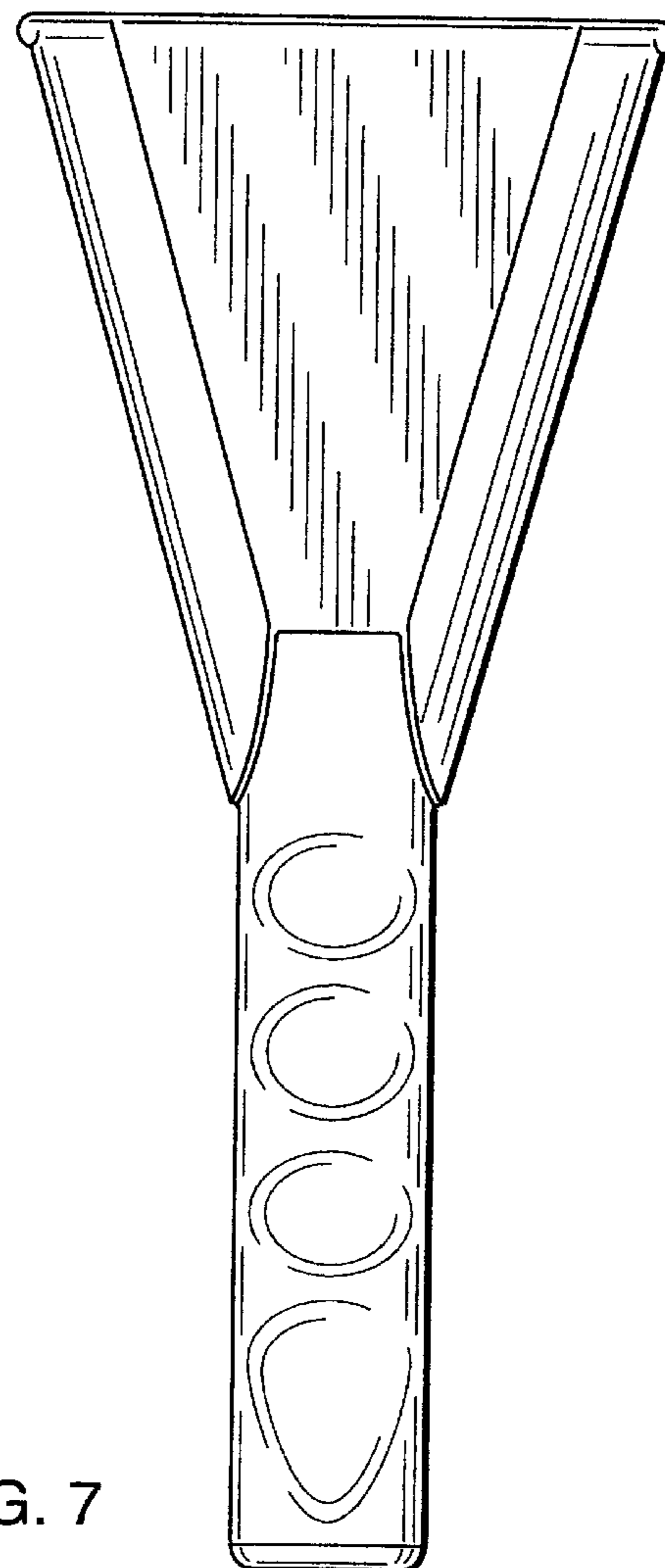


FIG. 7