



US00D540493S

(12) **United States Design Patent**
Fick

(10) **Patent No.:** **US D540,493 S**
(45) **Date of Patent:** **** Apr. 10, 2007**

(54) **SMALL PET FOOD STORAGE CONTAINER**

(74) *Attorney, Agent, or Firm*—Hovey Williams LLP

(75) Inventor: **Orval Lee Fick**, Miami, OK (US)

(57) **CLAIM**

(73) Assignee: **Blitz U.S.A., Inc.**, Miami, OK (US)

The ornamental design for a small pet food storage container, as shown and described.

(**) Term: **14 Years**

DESCRIPTION

(21) Appl. No.: **29/228,764**

FIG. 1 is a perspective view of a small pet food storage container embodying my design, with the feet and lower margin of the basin, the hinge assembly for the primary lid, the latch assembly for releasably securing the hinge assembly to the basin, the recessed portion of the primary lid, the auxiliary lid, the hinge assembly for the auxiliary lid, and the corrugations spaced about the sidewall of the basin being shown in broken lines for illustrative purposes only and forming no part of the claimed design;

(22) Filed: **Apr. 28, 2005**

(51) **LOC (8) Cl.** **30-03**

(52) **U.S. Cl.** **D30/133; D3/294; D7/629**

(58) **Field of Classification Search** D30/121, D30/122, 129–133; D3/272, 273, 294; D7/629, D7/612–615; D9/430–432; 119/52.1, 51.11, 119/51.12, 77; 220/780–815, 832, 836, 913
See application file for complete search history.

FIG. 2 is a perspective view of the small pet food storage container taken from an angle generally opposite that of FIG. 1;

(56) **References Cited**

U.S. PATENT DOCUMENTS

4,260,069	A	*	4/1981	Juergens	220/812
D284,728	S	*	7/1986	Trivison	D7/629
D311,665	S	*	10/1990	Carlson	D7/629
D378,636	S		4/1997	Chrisco		
5,673,811	A	*	10/1997	Dickinson et al.	220/812
D405,560	S		2/1999	Chrisco		
D438,066	S	*	2/2001	Beach et al.	D7/629
D469,011	S	*	1/2003	Miller	D9/432

FIG. 3 is a side elevation view of the small pet food storage container depicted in FIGS. 1 and 2, with the opposite side elevation being a mirror image thereof;

* cited by examiner

FIG. 4 is a front elevation view of the small pet food storage container depicted in FIGS. 1–3;

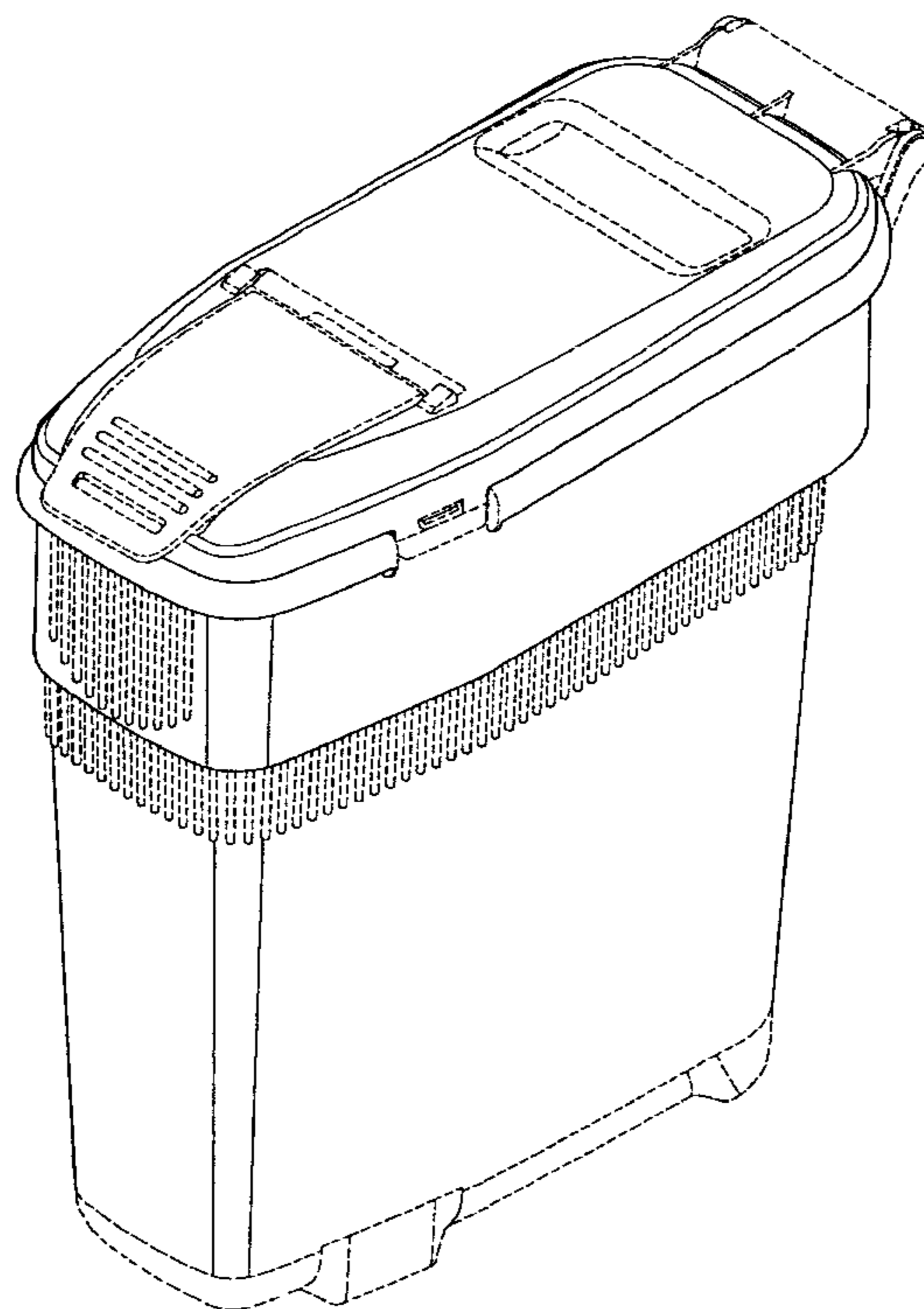
Primary Examiner—Terry A. Wallace

FIG. 5 is a rear elevation view of the small pet food storage container depicted in FIGS. 1–4;

1 Claim, 3 Drawing Sheets

FIG. 6 is a plan view of the small pet food storage container depicted in FIGS. 1–5; and,

FIG. 7 is a bottom elevation view of the small pet food storage container depicted in FIGS. 1–6.



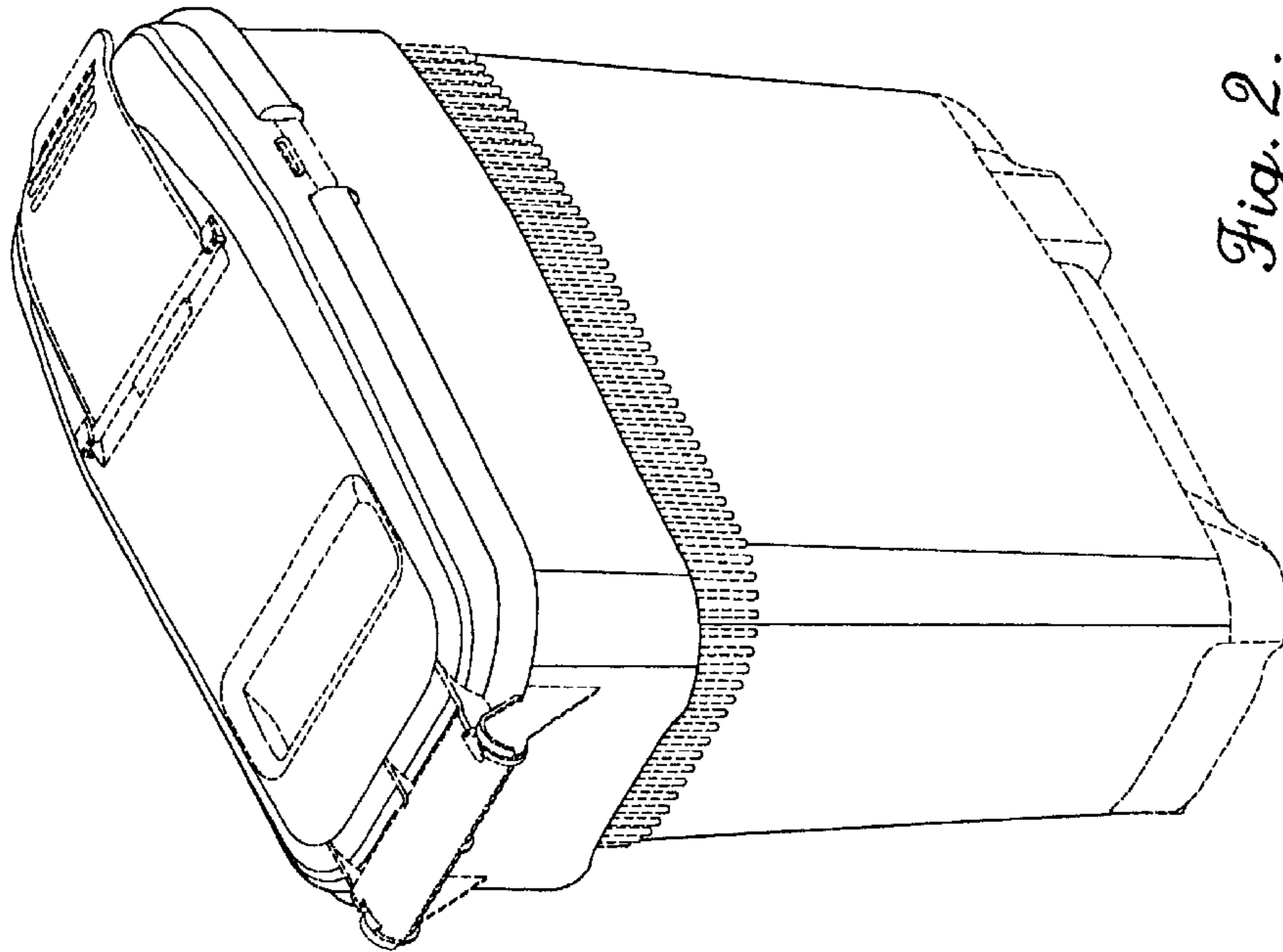


Fig. 2.

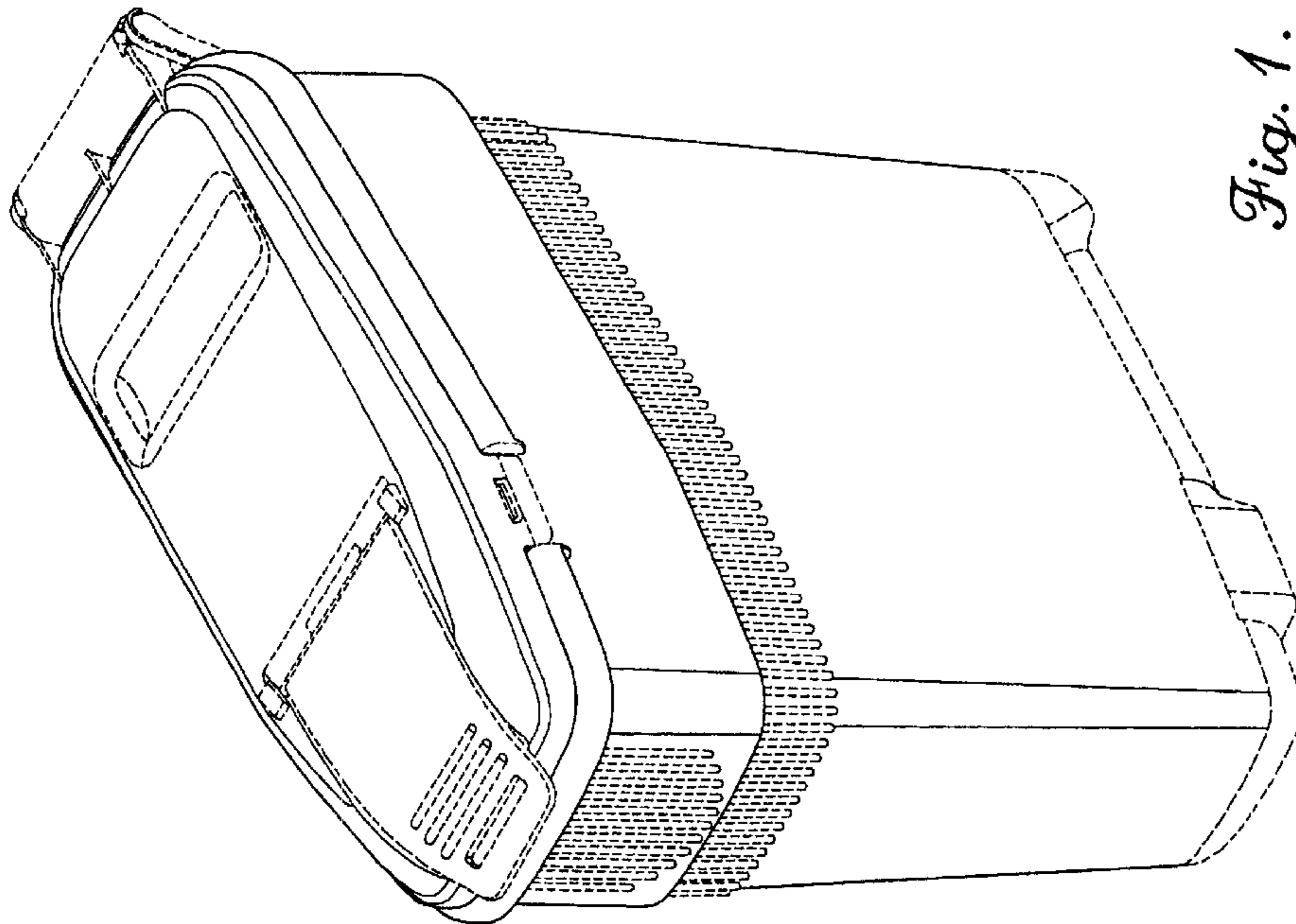


Fig. 1.

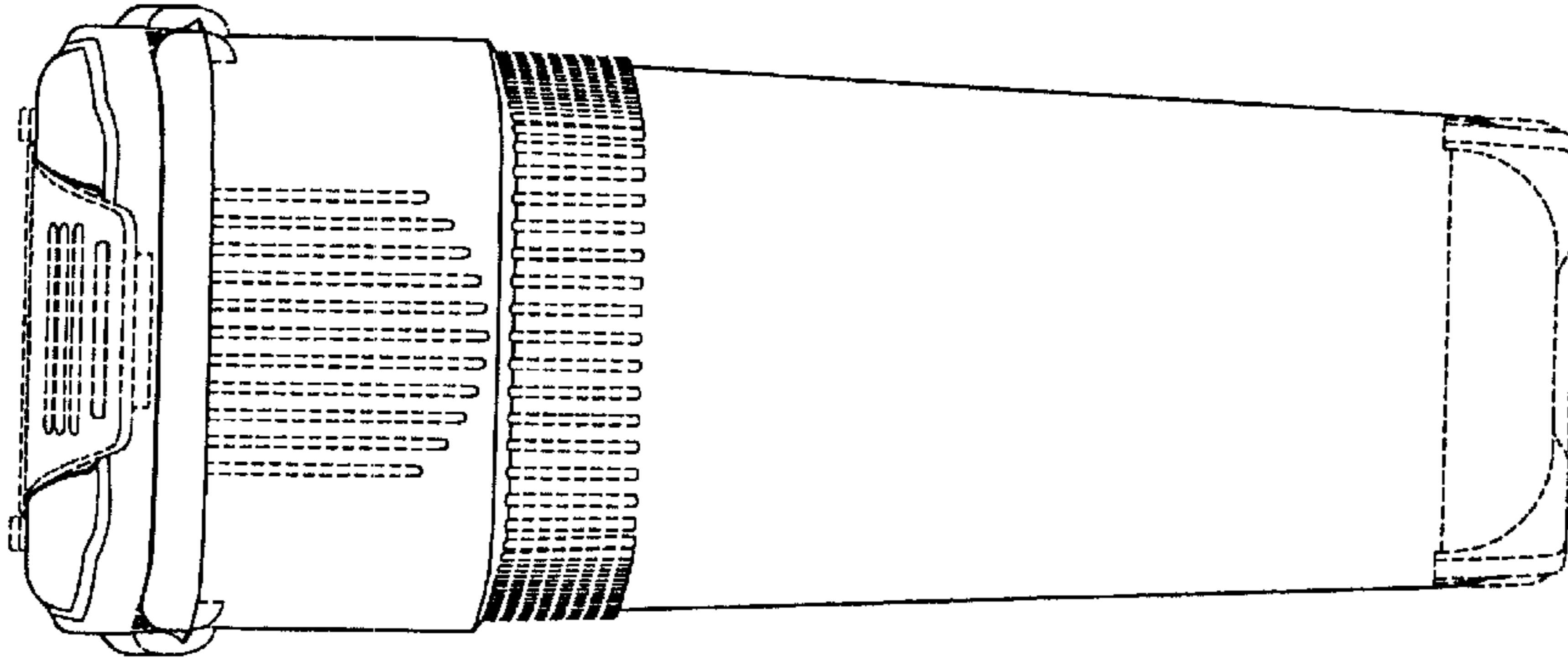


Fig. 4.

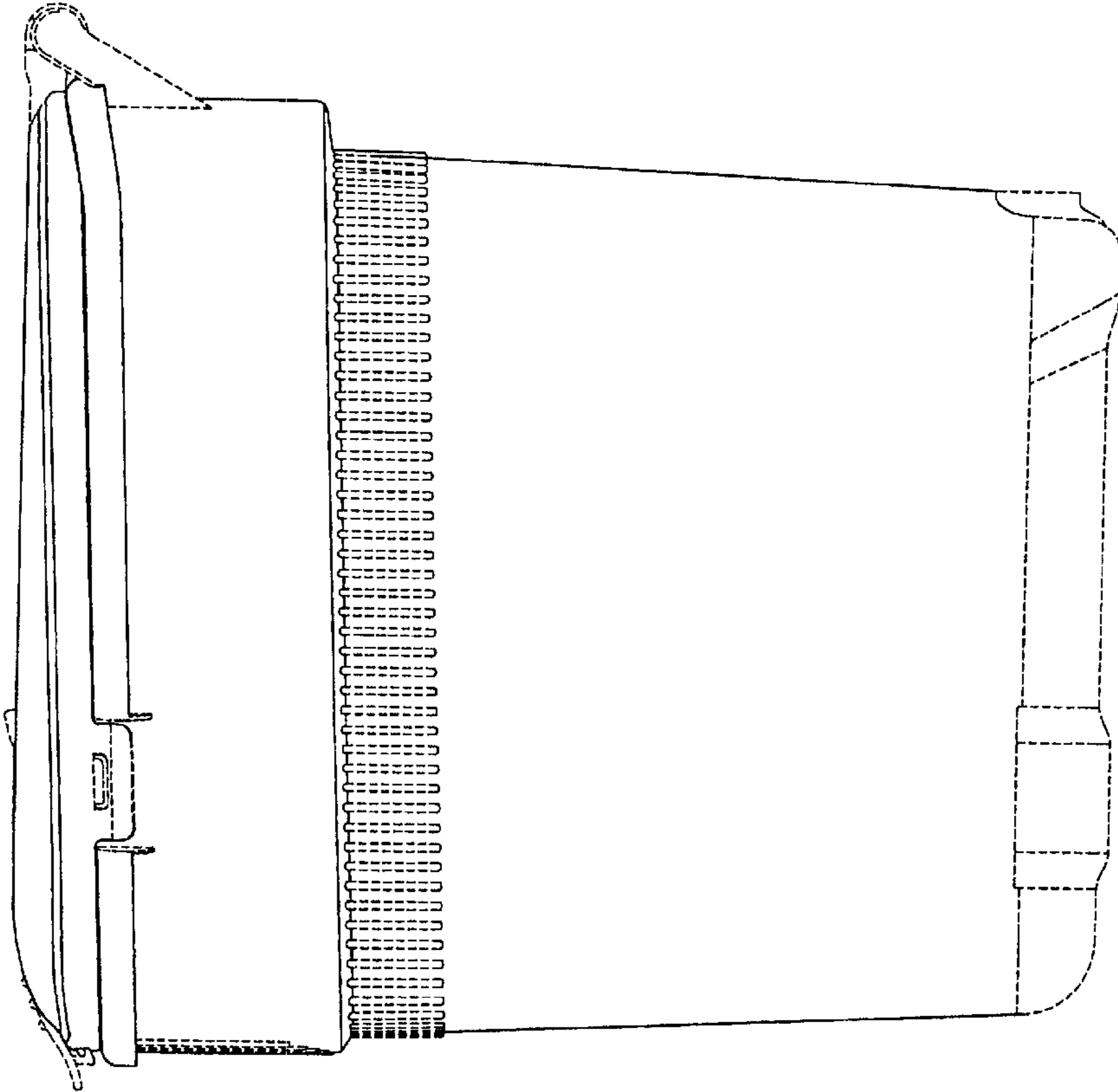


Fig. 3.

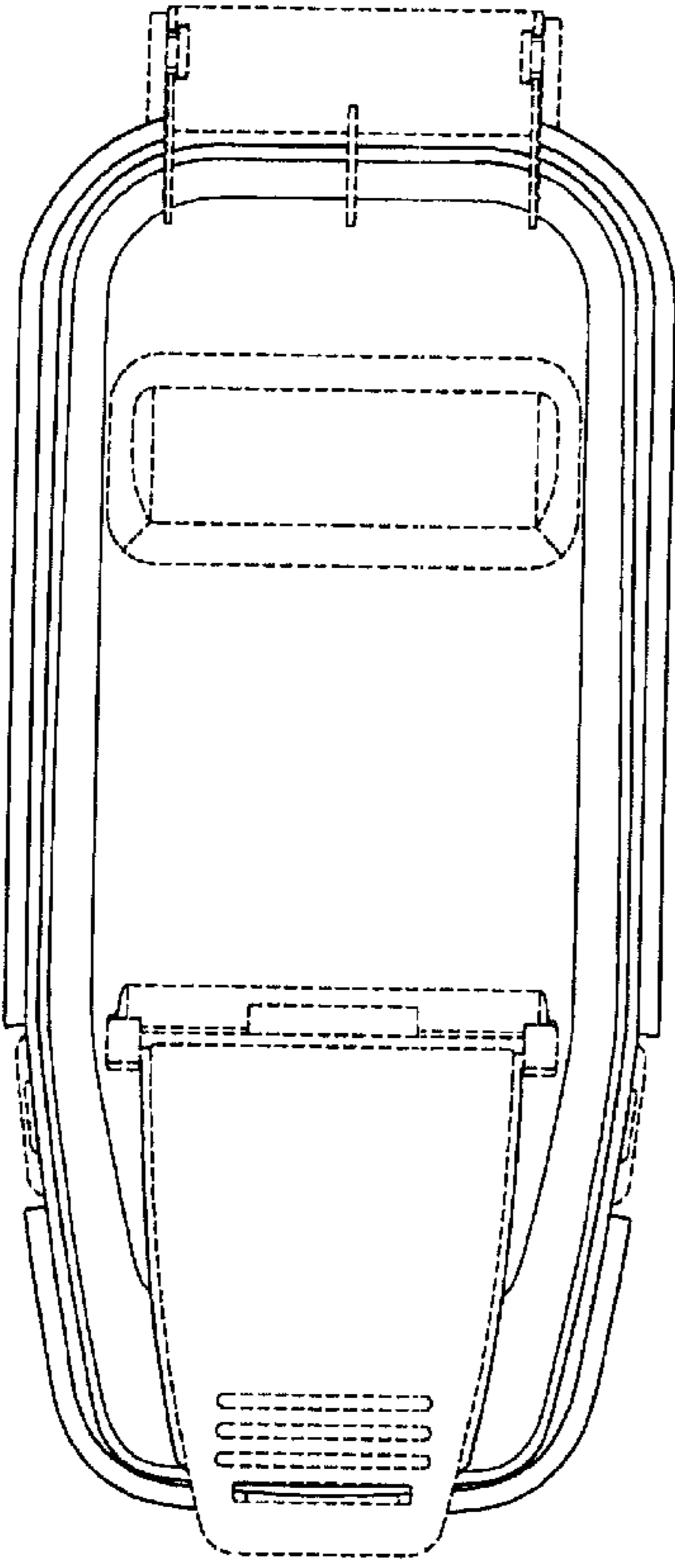


Fig. 6.

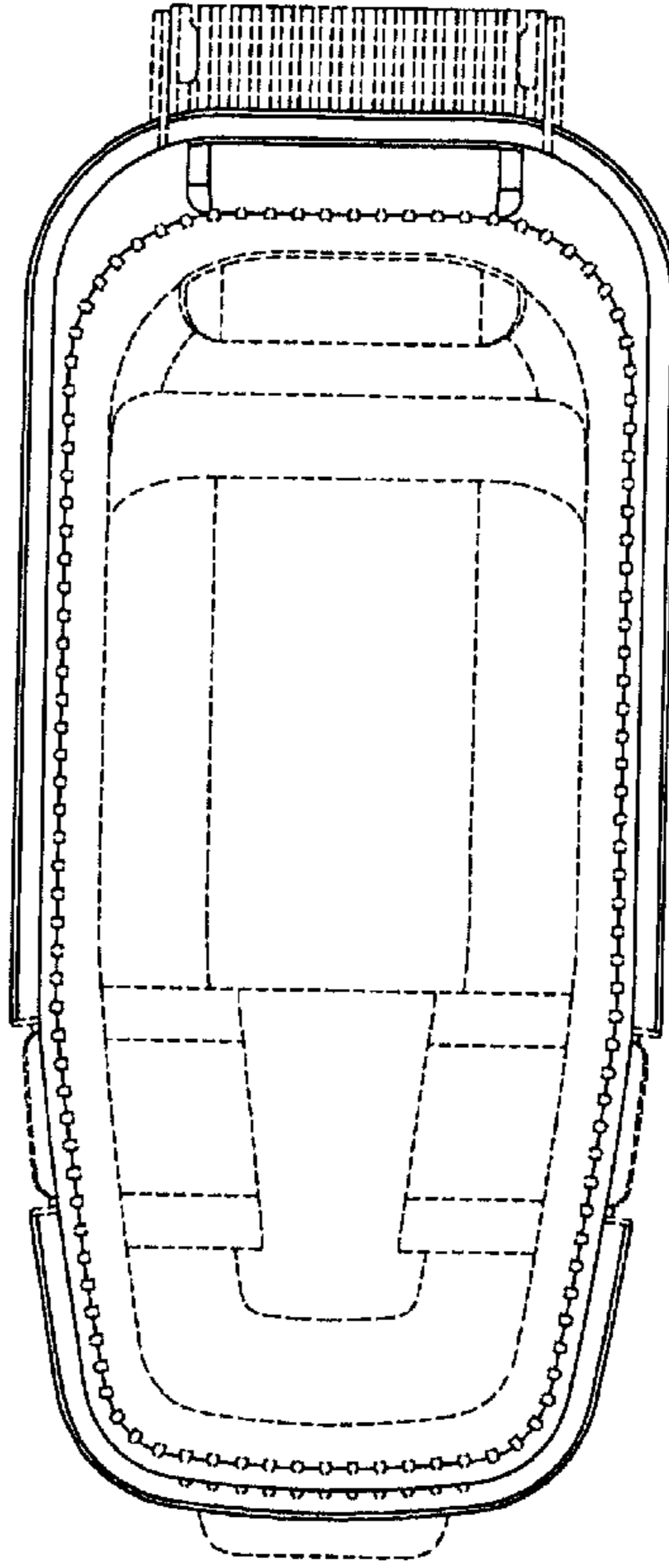


Fig. 7.

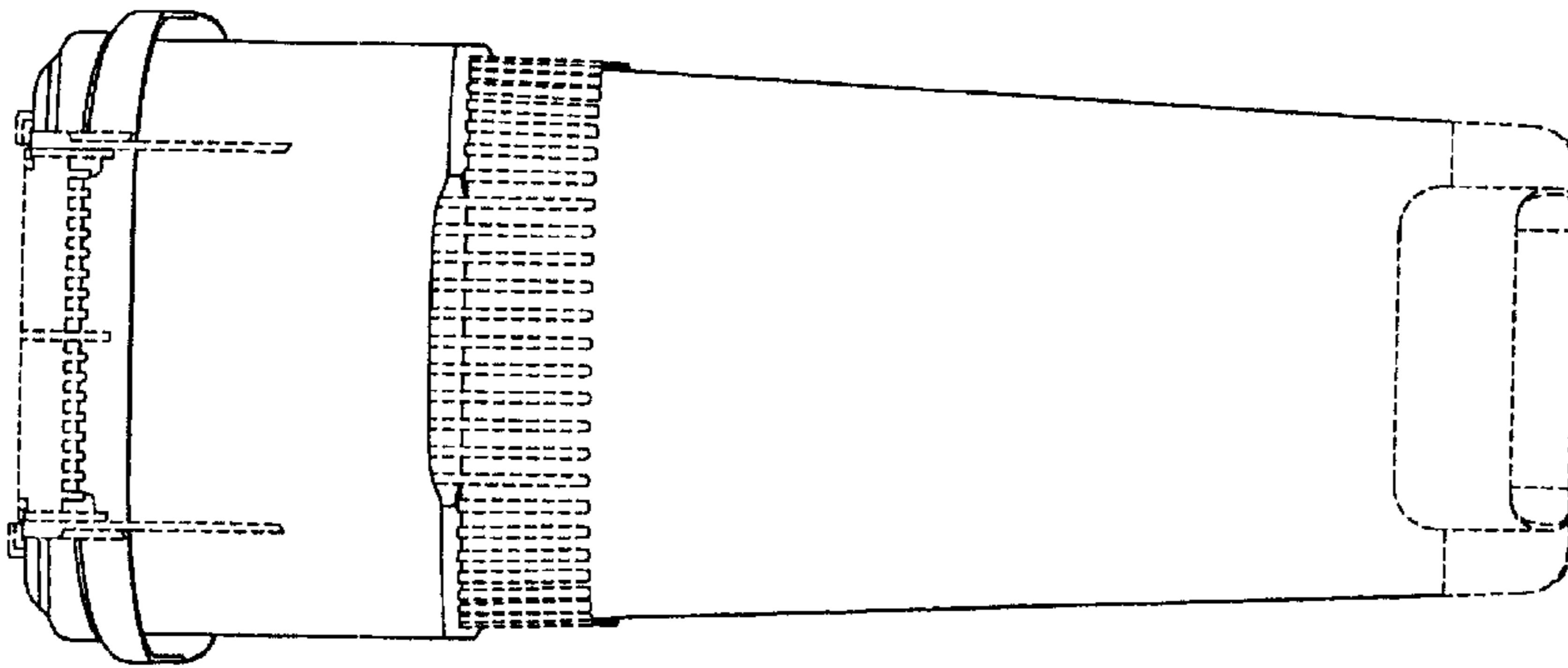


Fig. 5.